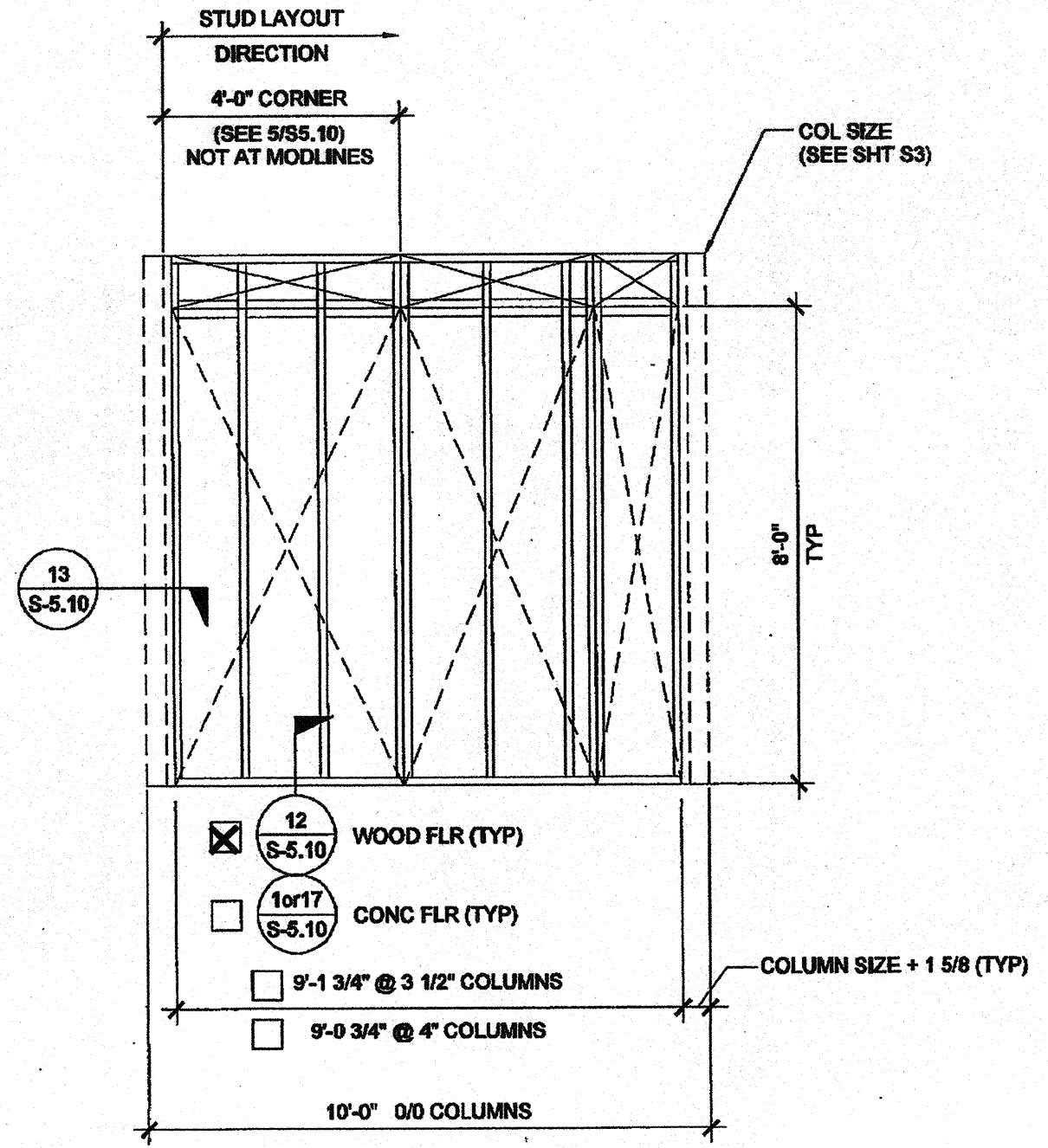
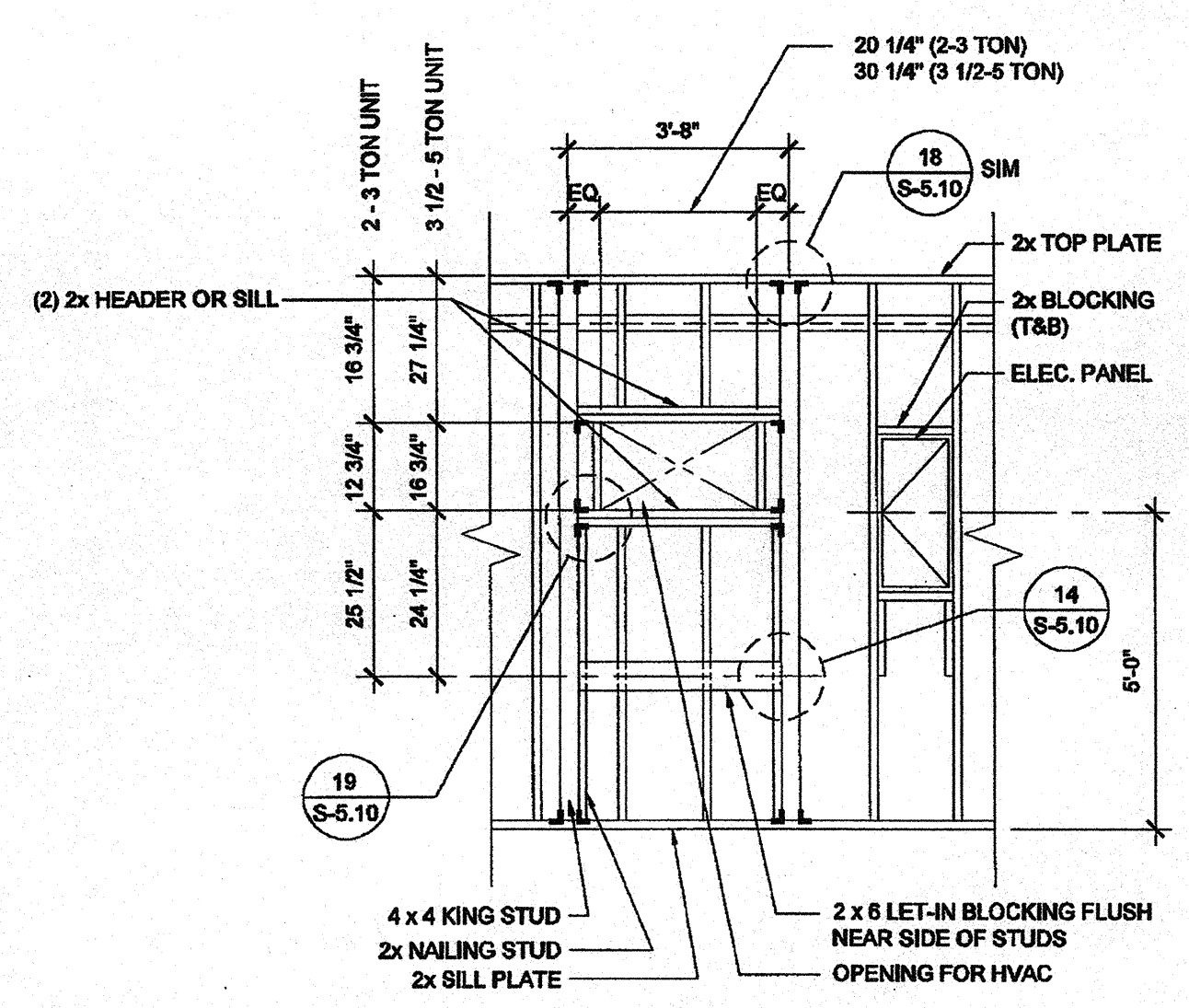


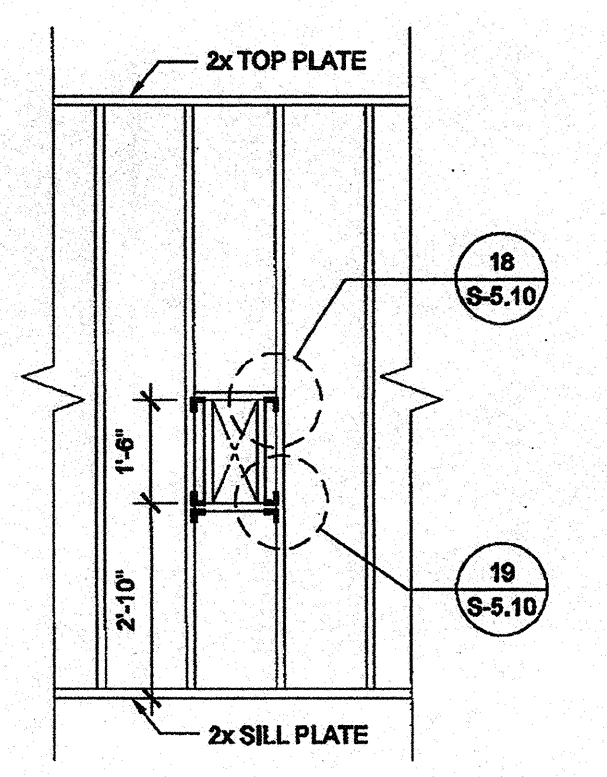
TYPICAL SIDE WALL



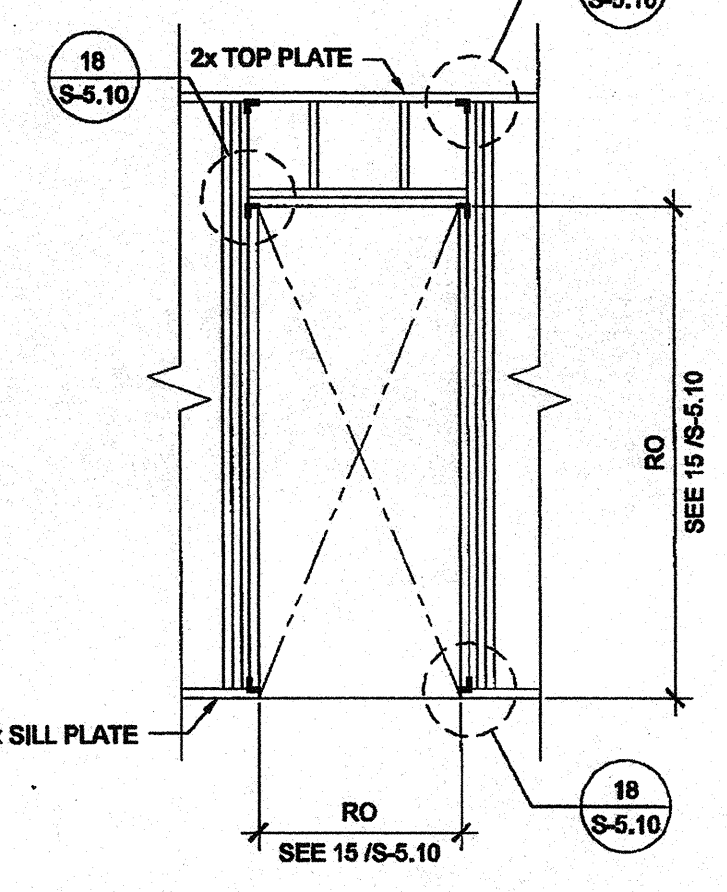
TYPICAL END WALL



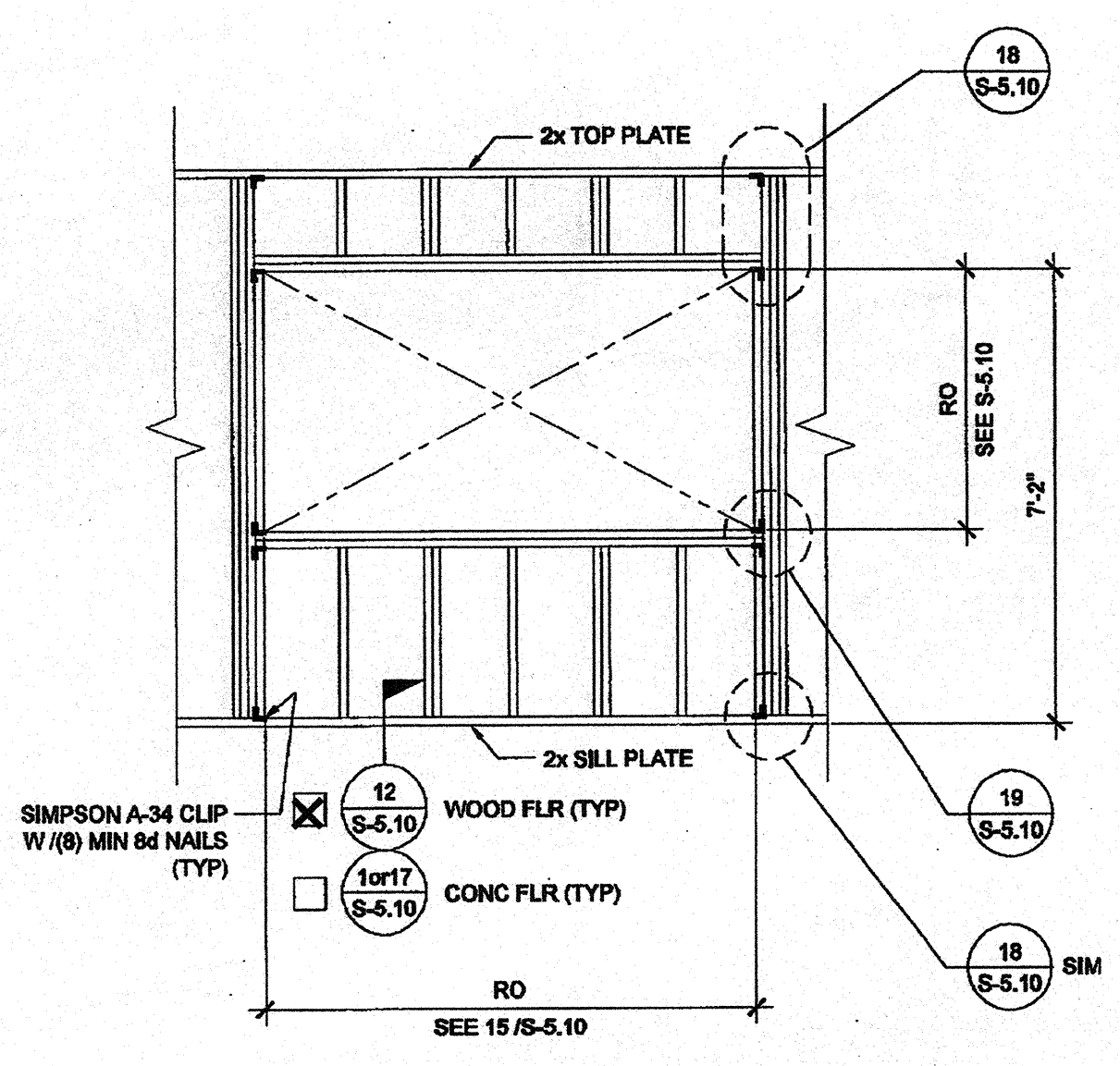
TYPICAL HVAC



FIRE EXTINGUISHER CABINET BLOCKOUT



TYPICAL DOOR



TYPICAL WINDOW

NOTES

THESE DRAWINGS AND ALL MATERIAL CONTAINED HEREIN ARE THE PROPERTY OF SILVER CREEK INDUSTRIES, INC (SCI INC) AND SHALL NOT BE REPRODUCED, COPIED OR OTHERWISE DISPOSED OF DIRECTLY OR INDIRECTLY AND SHALL NOT BE USED IN WHOLE OR IN PART TO ASSIST IN THE MAKING OF OR FOR THE PURPOSE OF FURNISHING ANY INFORMATION FOR THE MAKING OF DRAWINGS, PRINTS, APPARATUS OR PARTS THEREOF WITHOUT THE FULL KNOWLEDGE AND WRITTEN CONSENT OF SCI INC. ALL PATENTABLE MATERIAL CONTAINED HEREIN AND ORIGINATING WITH SCI INC SHALL BE THE PROPERTY OF SCI INC.

WALL HEIGHT SCHEDULE

COLUMN HEIGHT	9'-0"	9'-6"	10'-0"	10'-6"
CONCRETE FLOOR	8'-11 7/8"	9'-5 7/8"	9'-11 7/8"	10'-5 7/8"
WOOD FLOOR	8'-10 3/4"	9'-4 3/4"	9'-10 3/4"	10'-4 3/4"

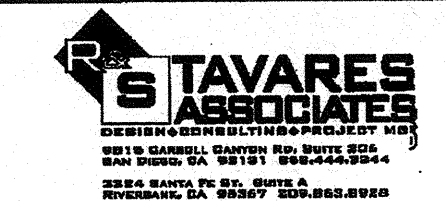
NOTE:
IF PARAPET USED IS HIGHER THAN 18" END WALLS MUST BE 2x6 @ 24" O.C.

THESE DRAWINGS AND ALL MATERIAL CONTAINED HEREIN ARE THE PROPERTY OF SILVER CREEK INDUSTRIES, INC (SCI INC) AND SHALL NOT BE REPRODUCED, COPIED OR OTHERWISE DISPOSED OF DIRECTLY OR INDIRECTLY AND SHALL NOT BE USED IN WHOLE OR IN PART TO ASSIST IN THE MAKING OF OR FOR THE PURPOSE OF FURNISHING ANY INFORMATION FOR THE MAKING OF DRAWINGS, PRINTS, APPARATUS OR PARTS THEREOF WITHOUT THE FULL KNOWLEDGE AND WRITTEN CONSENT OF SCI INC. ALL PATENTABLE MATERIAL CONTAINED HEREIN AND ORIGINATING WITH SCI INC SHALL BE THE PROPERTY OF SCI INC.

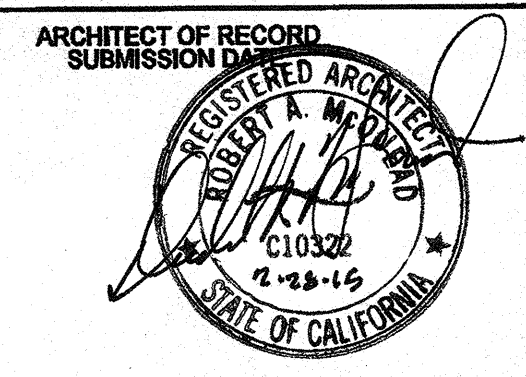
SILVER CREEK INDUSTRIES, INC.
"BUILDING FOR THE NEXT GENERATION"
SILVER CREEK
195 EAST MORGAN PERRIS, CALIFORNIA 92571
PHONE: 951-943-5393 FAX: 951-943-2211

PROJECT NAME:
CLASS LEASING CLASSROOMS BLDG'S

SHEET TITLE:
FRAMING ELEVATIONS WOOD STUDS



12/23/2011



PROJECT SPECIFIC STATE AGENCY APPROVAL
IDENTIFICATION STAMP
DIV. OF THE STATE ARCHITECT
OFFICE OF REGULATION SERVICES
04 113850
AC: [Signature]
DATE: AUG 22 2011

ORIGINAL PG STATE AGENCY APPROVAL
IDENTIFICATION STAMP
DIV. OF THE STATE ARCHITECT
OFFICE OF REGULATION SERVICES
PC 04-112070
AC: [Signature]
DATE: DEC 23 2011

REVISIONS

SILVER CREEK INDUSTRIES
30' x 32' PC
PROJECT NO:
DRAWN BY:
SCALE: AS NOTED
DATE: 6-17-11
P.C. SHEET NUMBER
S-5.00

IDENTIFICATION STAMP
DIV. OF THE STATE ARCHITECT
APP03 116979
AC: [Signature]
DATE: 4.12.16