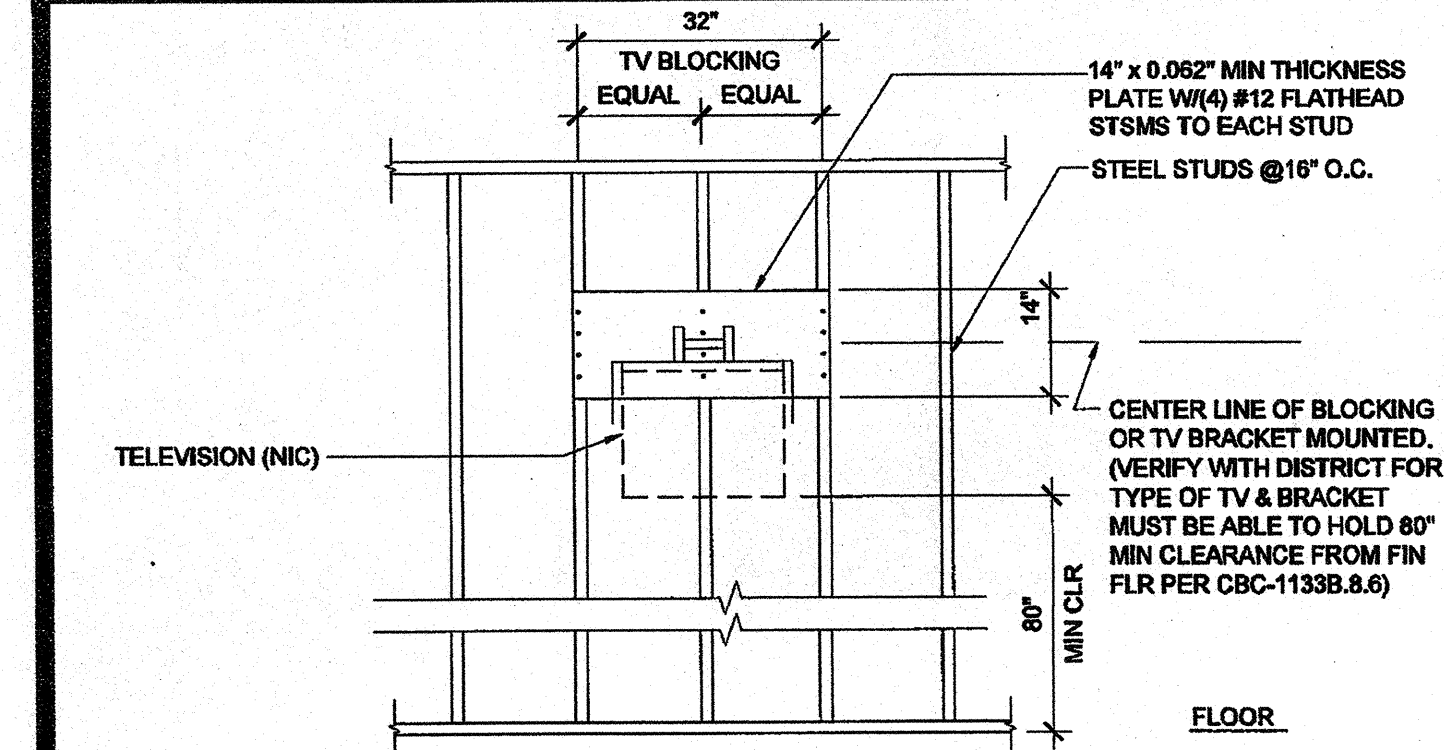
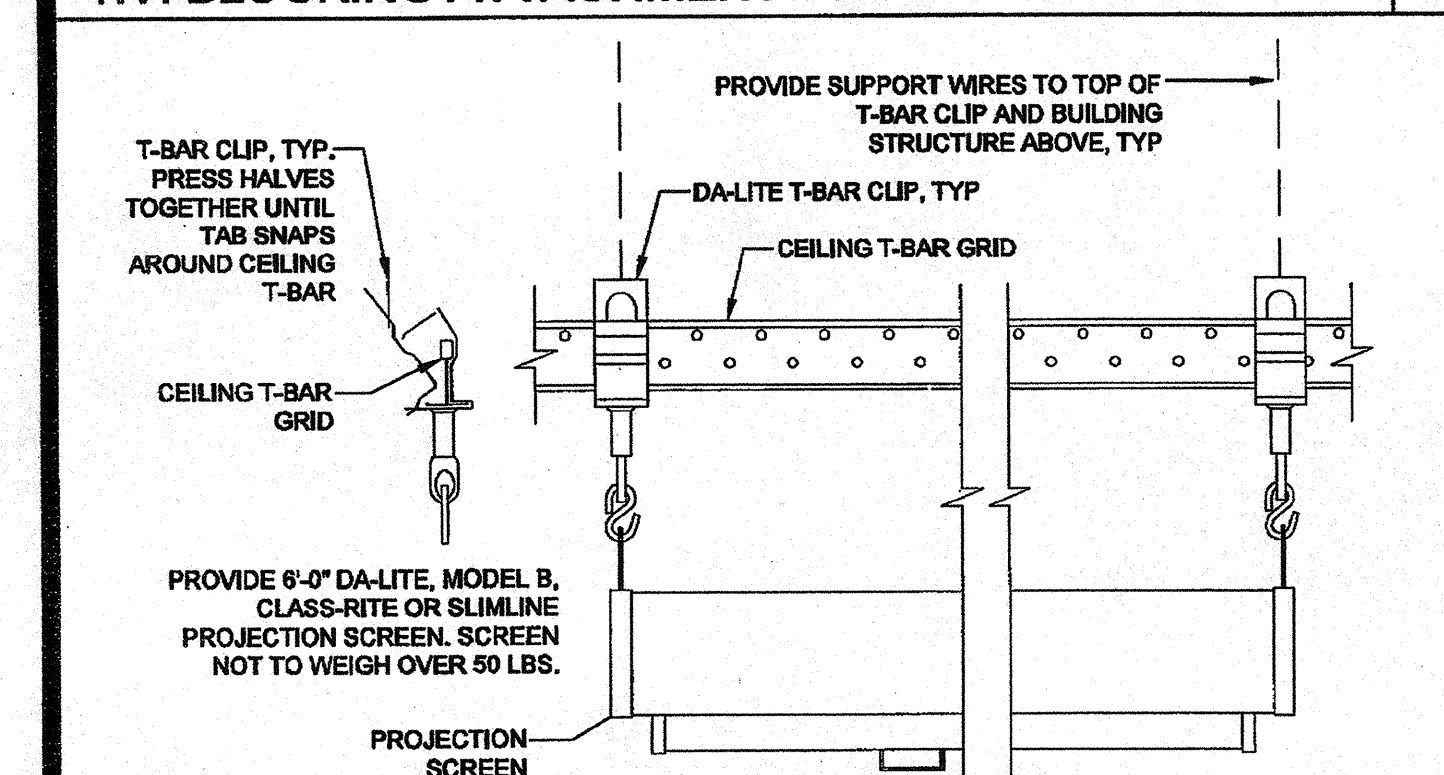


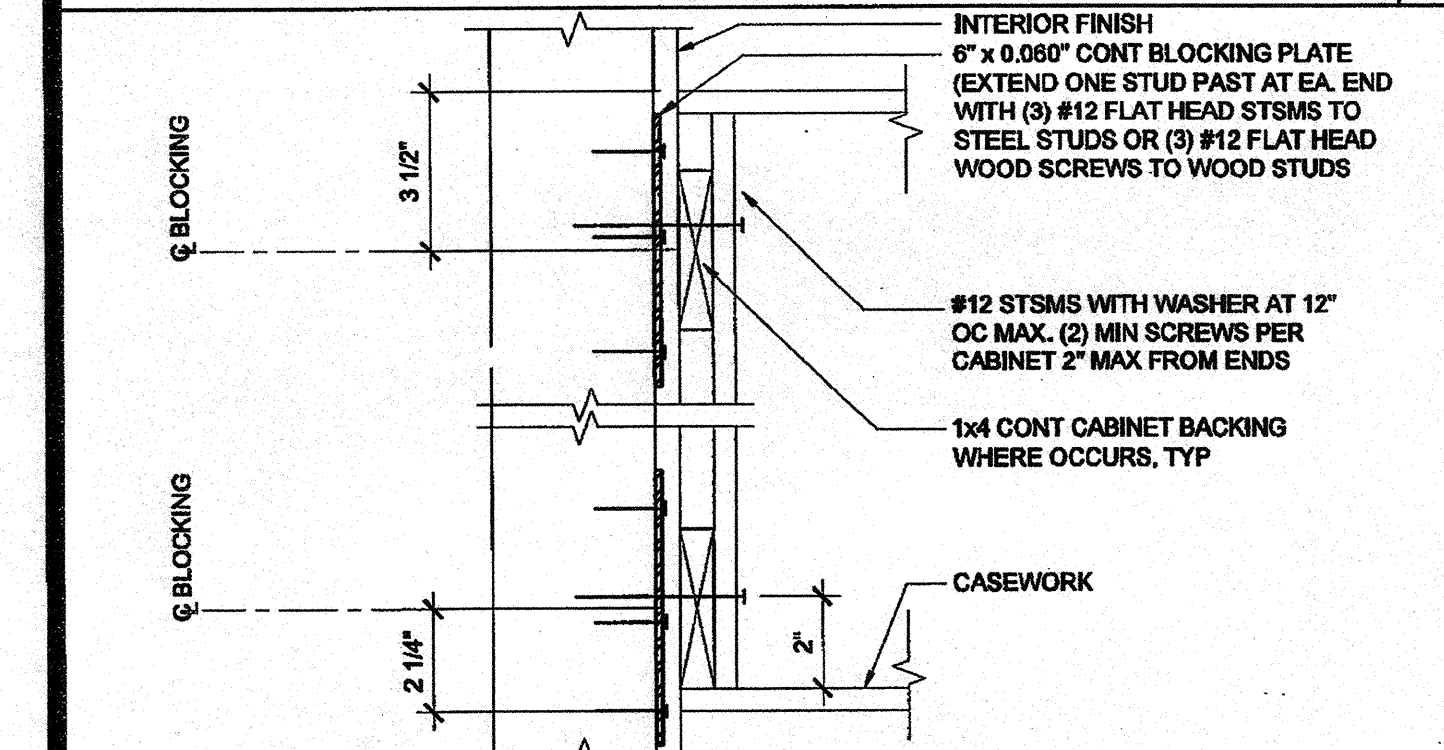
T.V. BLOCKING ATTACHMENT AT WOOD STUD SCALE: 1/2" = 1'-0" 16



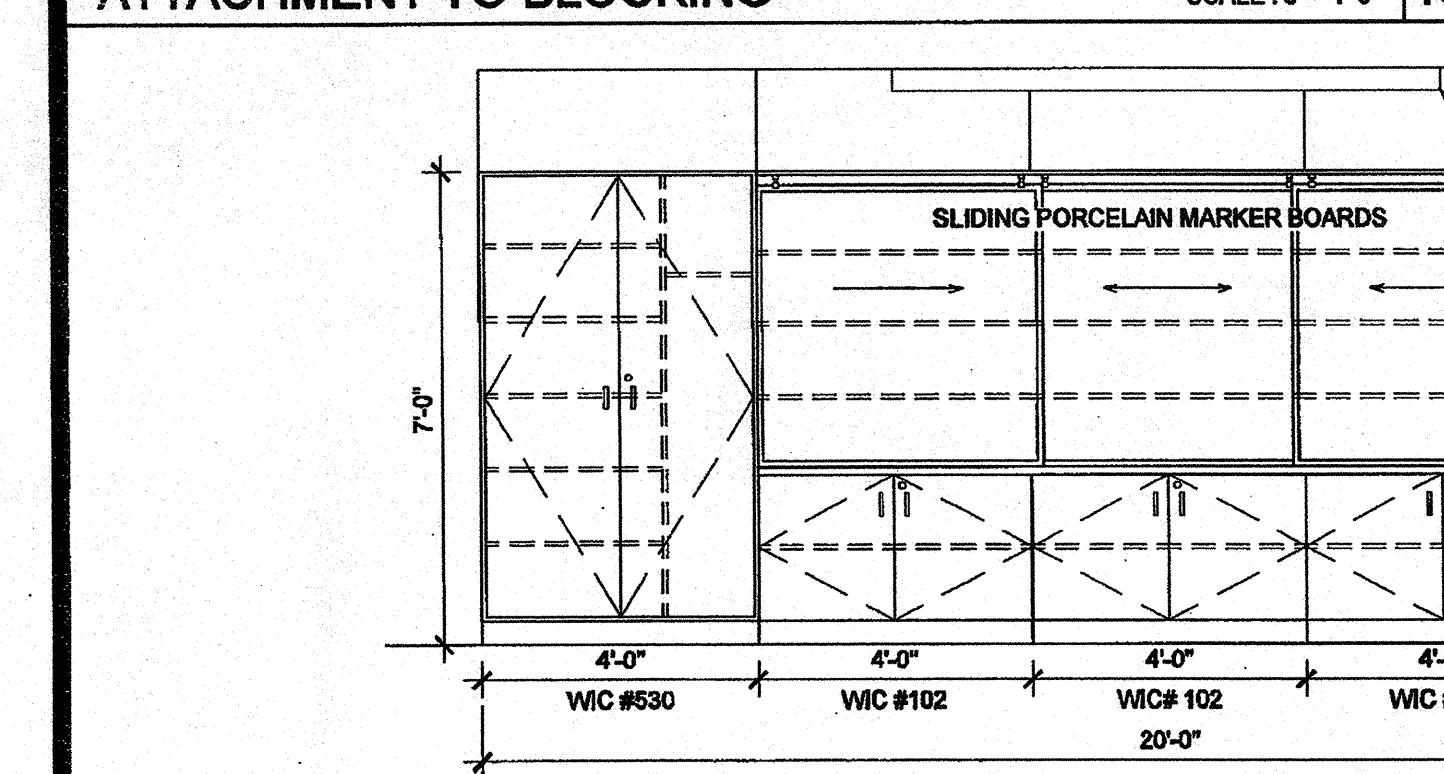
T.V. BLOCKING ATTACHMENT AT STEEL STUD SCALE: 1/2" = 1'-0" 17



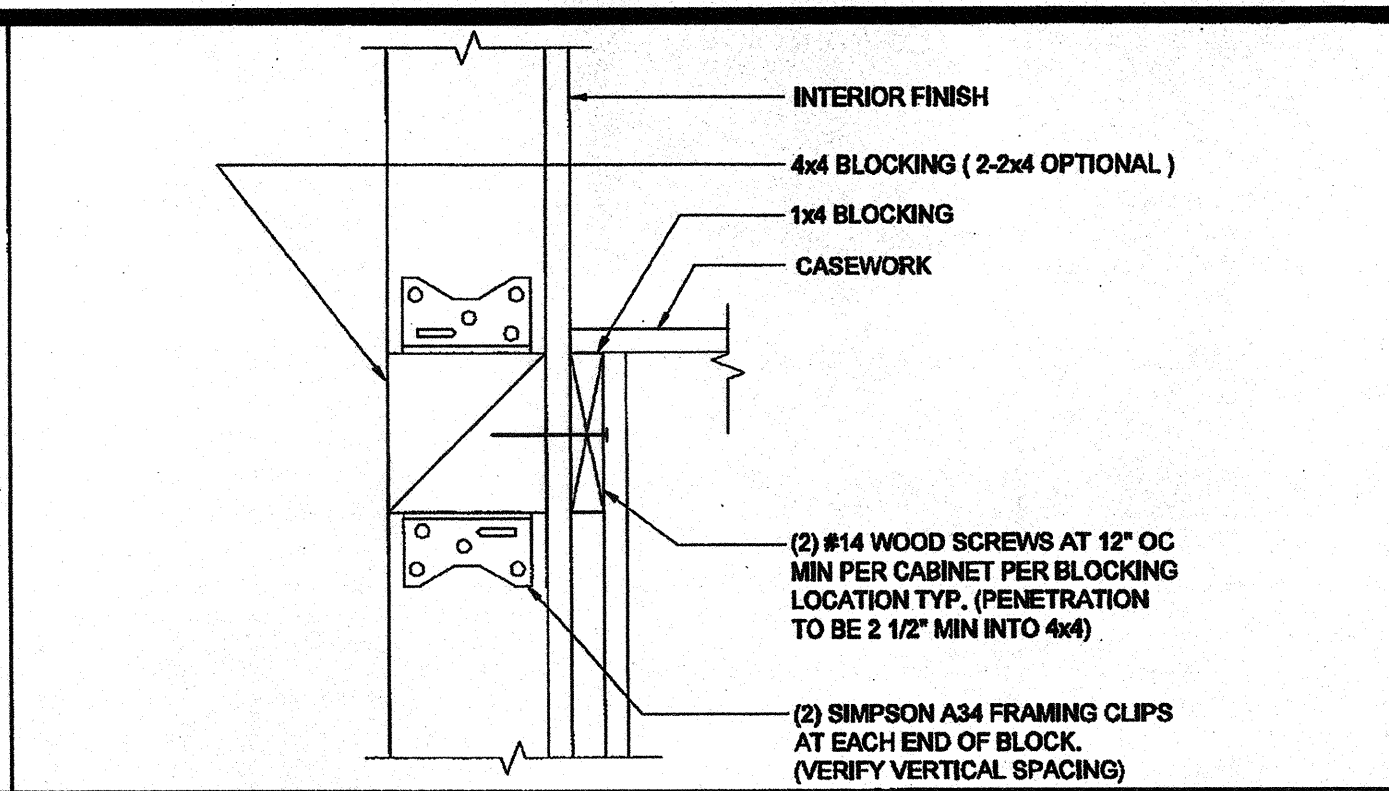
PROJECTION SCREEN MOUNTING SCALE: NTS 18



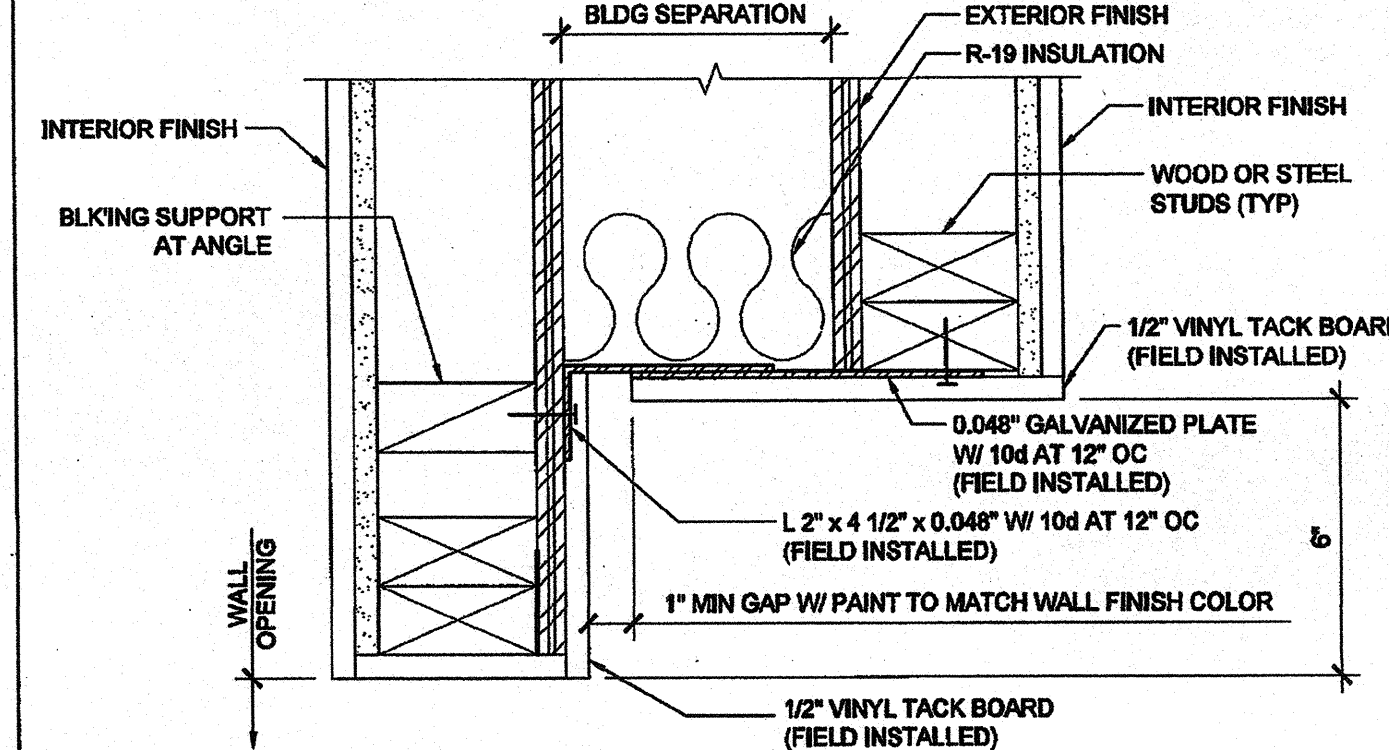
ATTACHMENT TO BLOCKING SCALE: 3/4" = 1'-0" 19



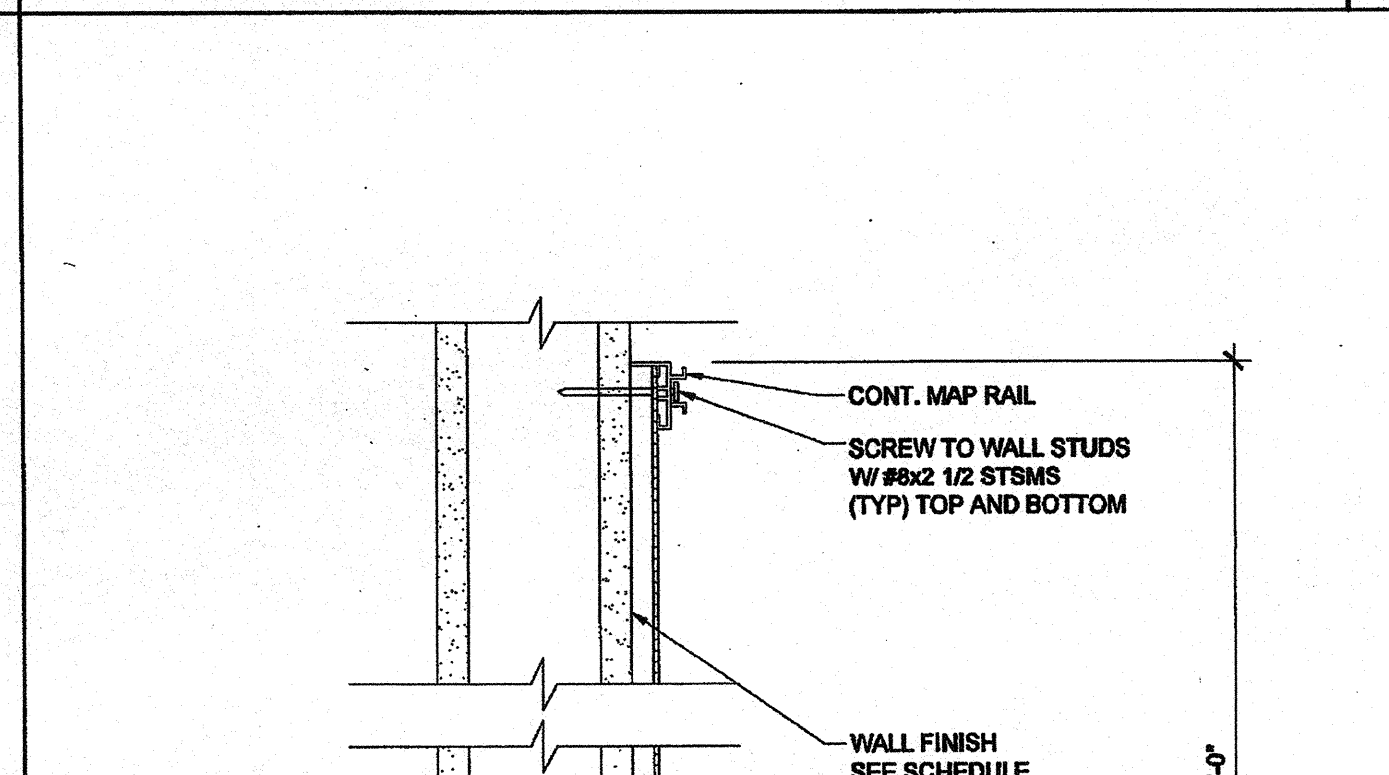
TEACHING WALL - ELEVATION / SECTION - OPTION SCALE: 3/8" = 1'-0" 15



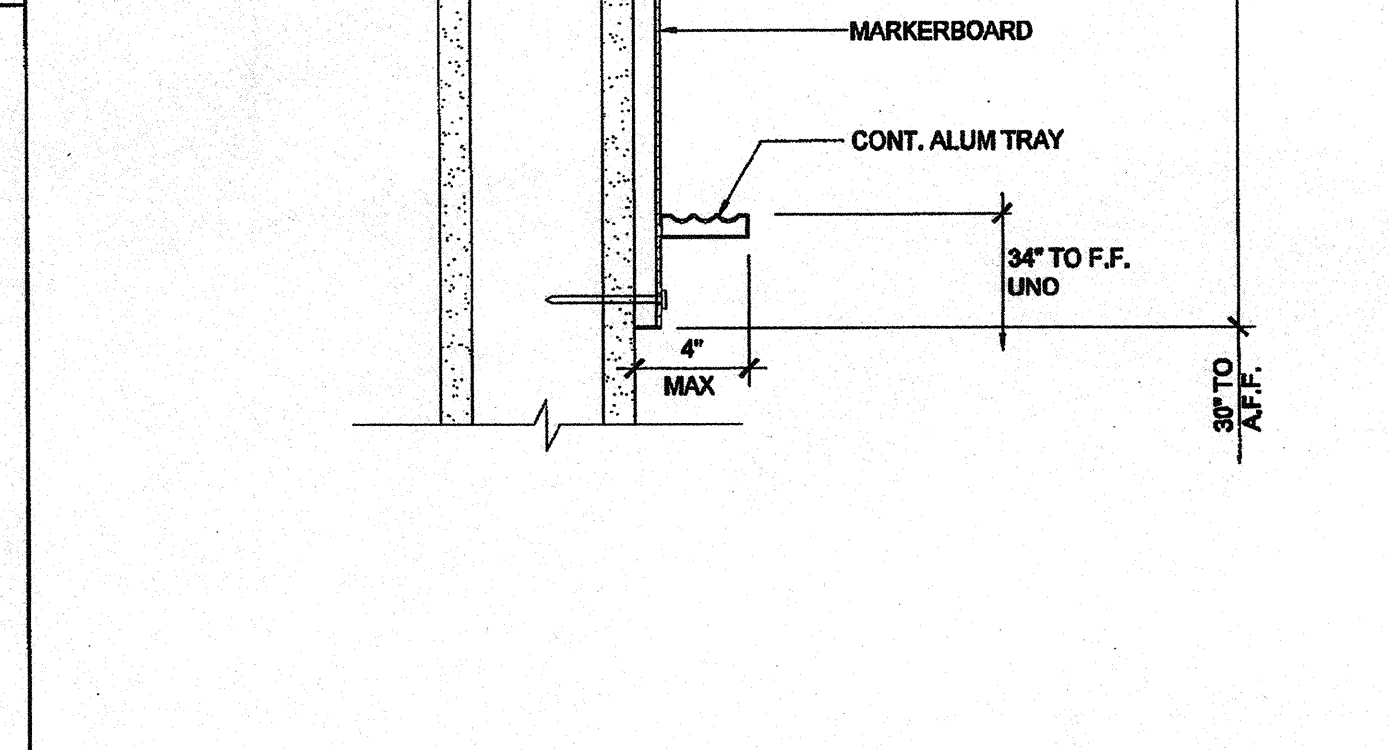
ATTACHMENT TO BLOCKING AT WOOD STUD SCALE: 3/4" = 1'-0" 11



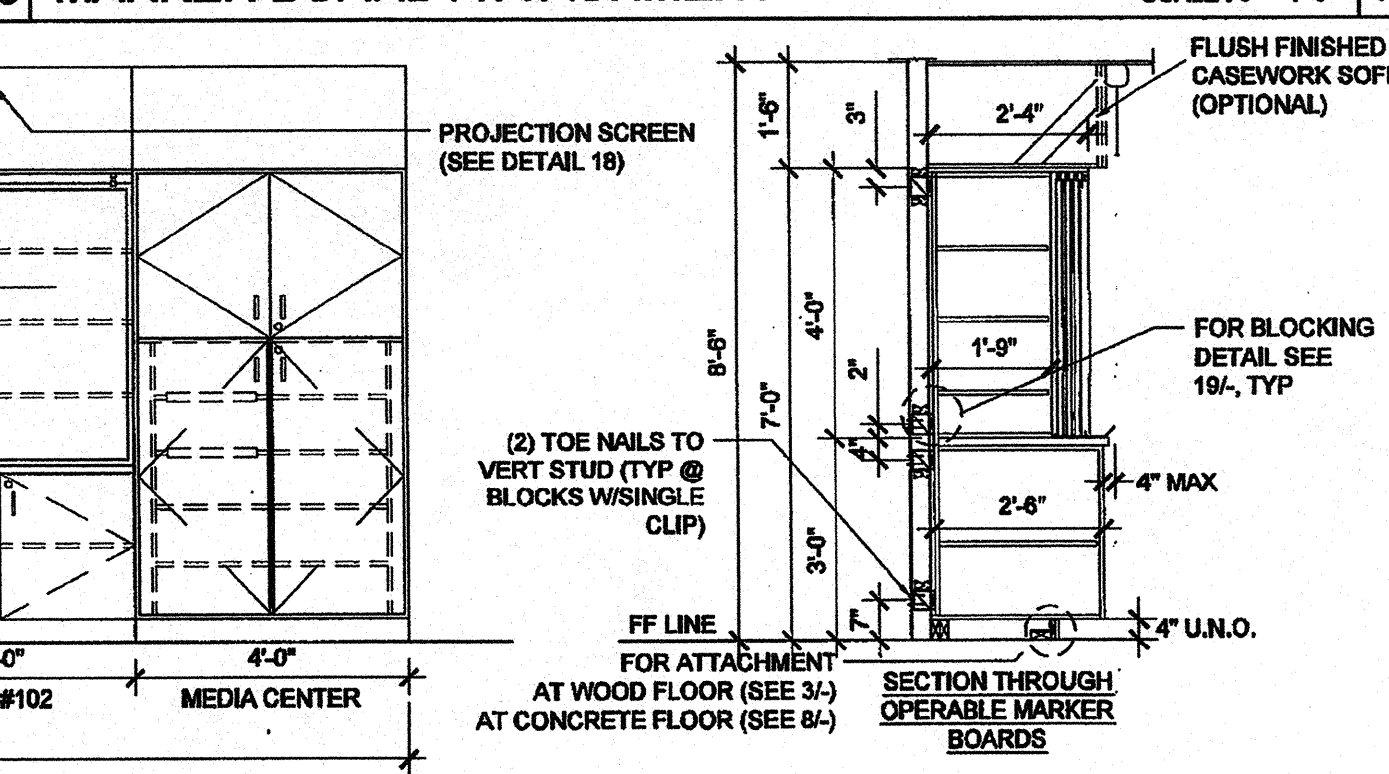
WALL OPENING AT HEADER AND JAMB SCALE: 3/4" = 1'-0" 12



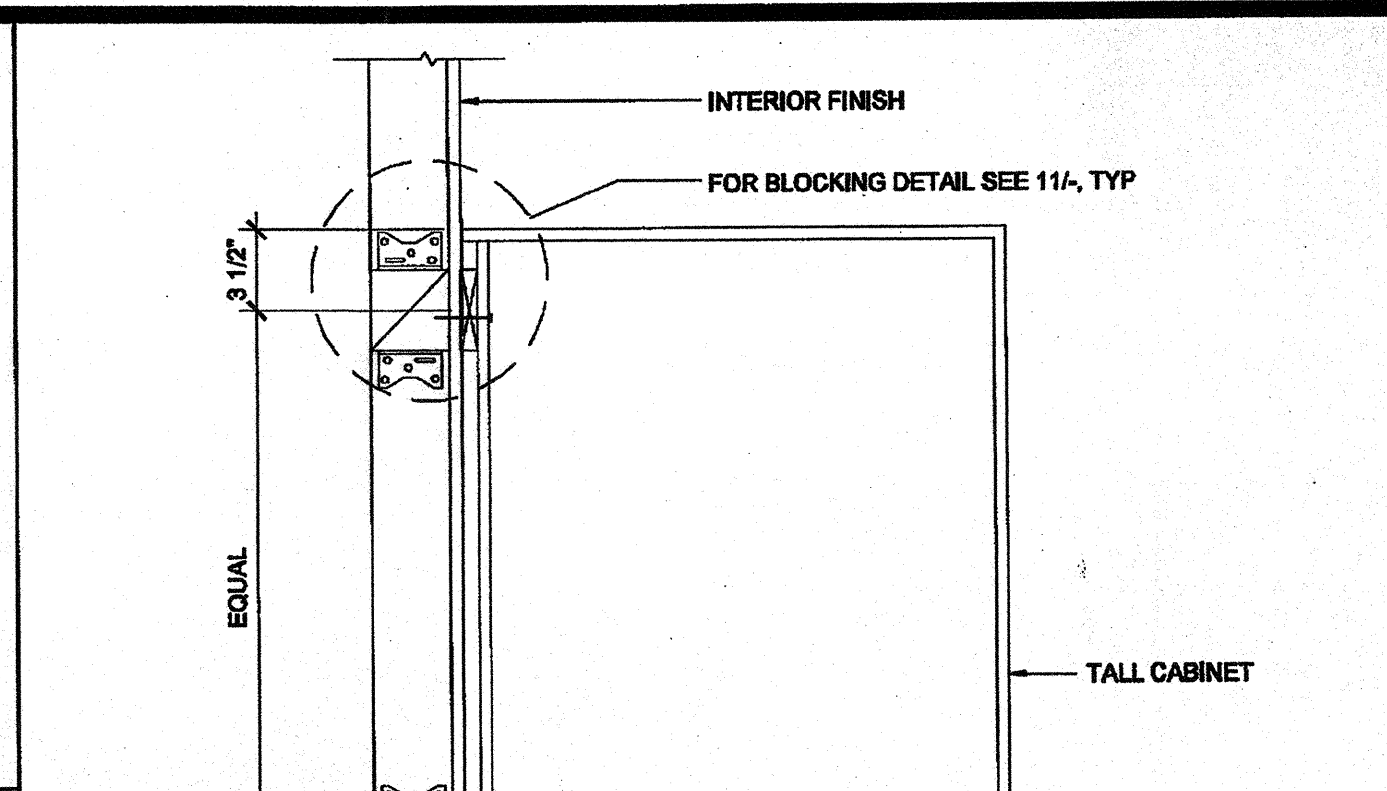
MARKER BOARD ATTACHMENT SCALE: 3/4" = 1'-0" 14



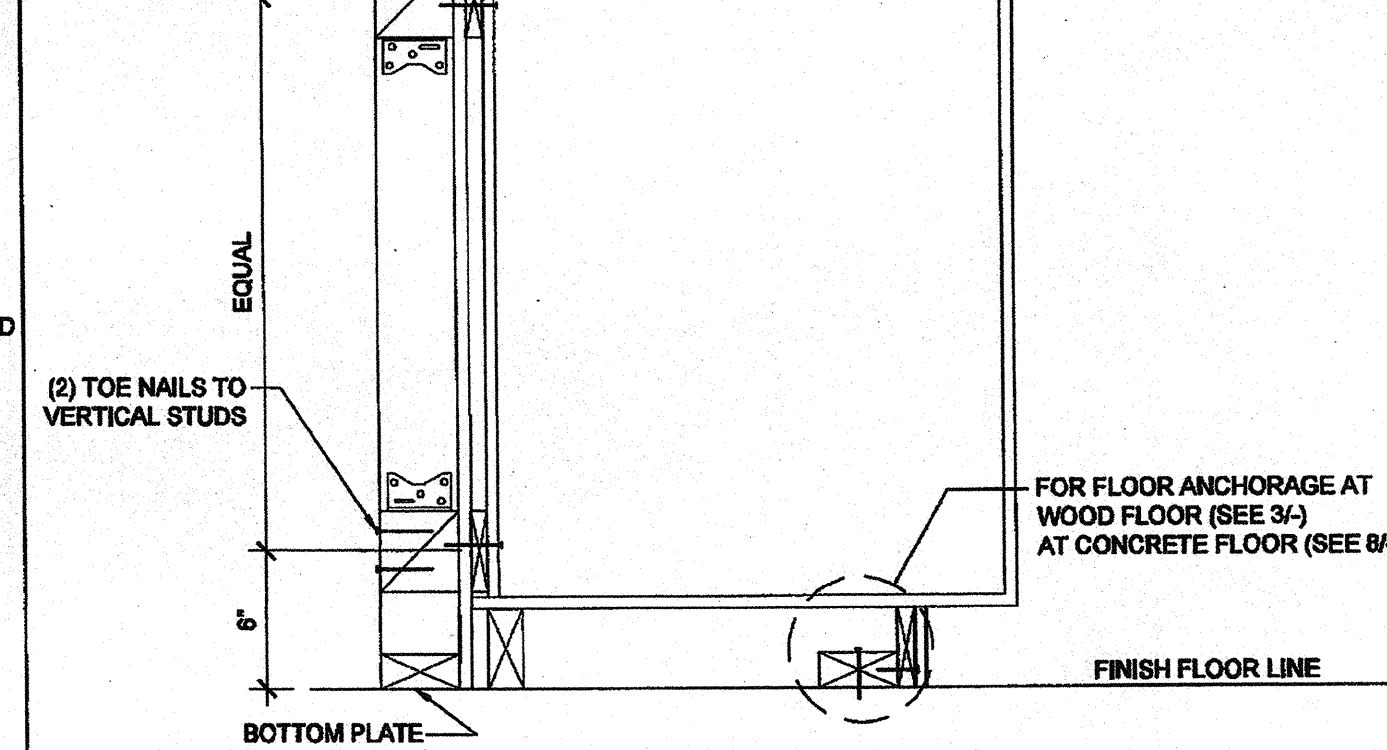
TALL CABINET WALL ANCHORAGE AT WOOD STUD SCALE: 1 1/2" = 1'-0" 7



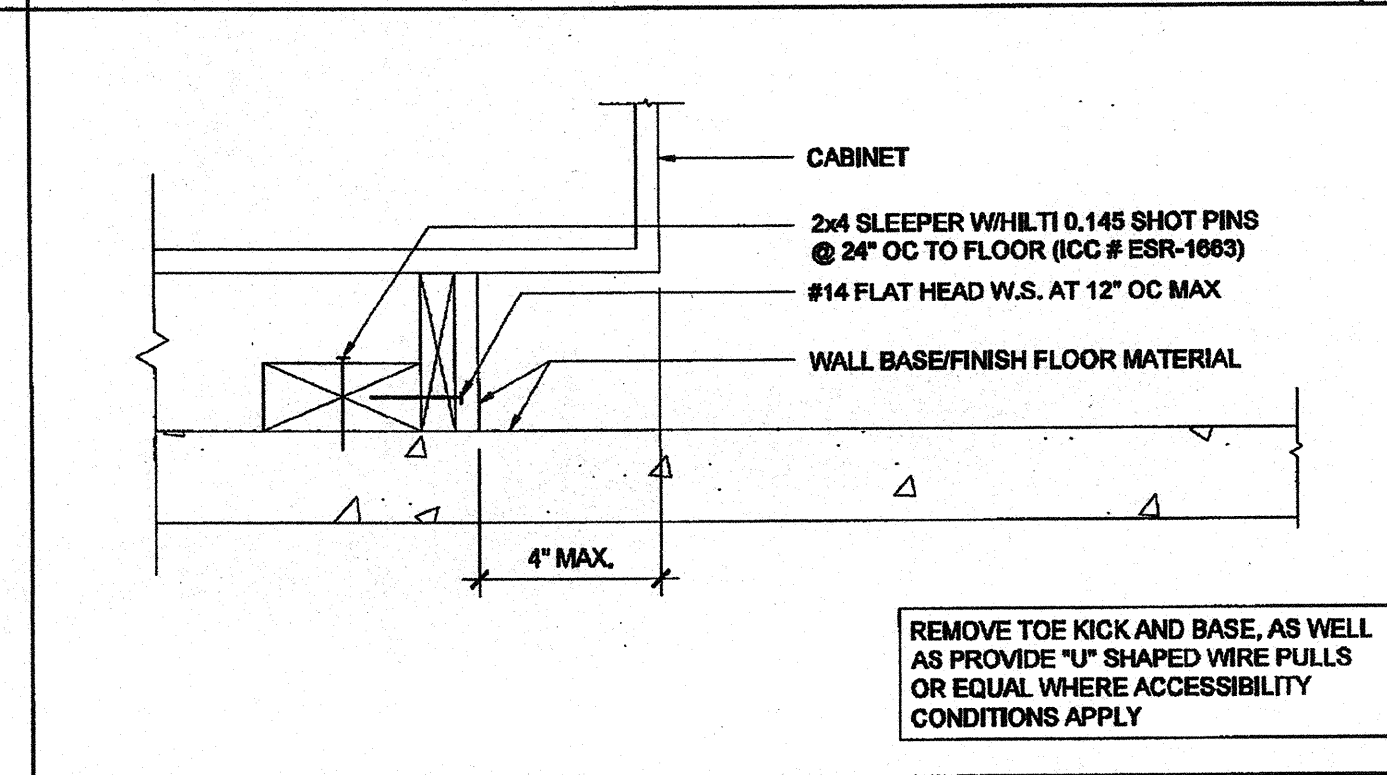
TALL CABINET WALL ANCHORAGE AT WOOD STUD SCALE: 1 1/2" = 1'-0" 10



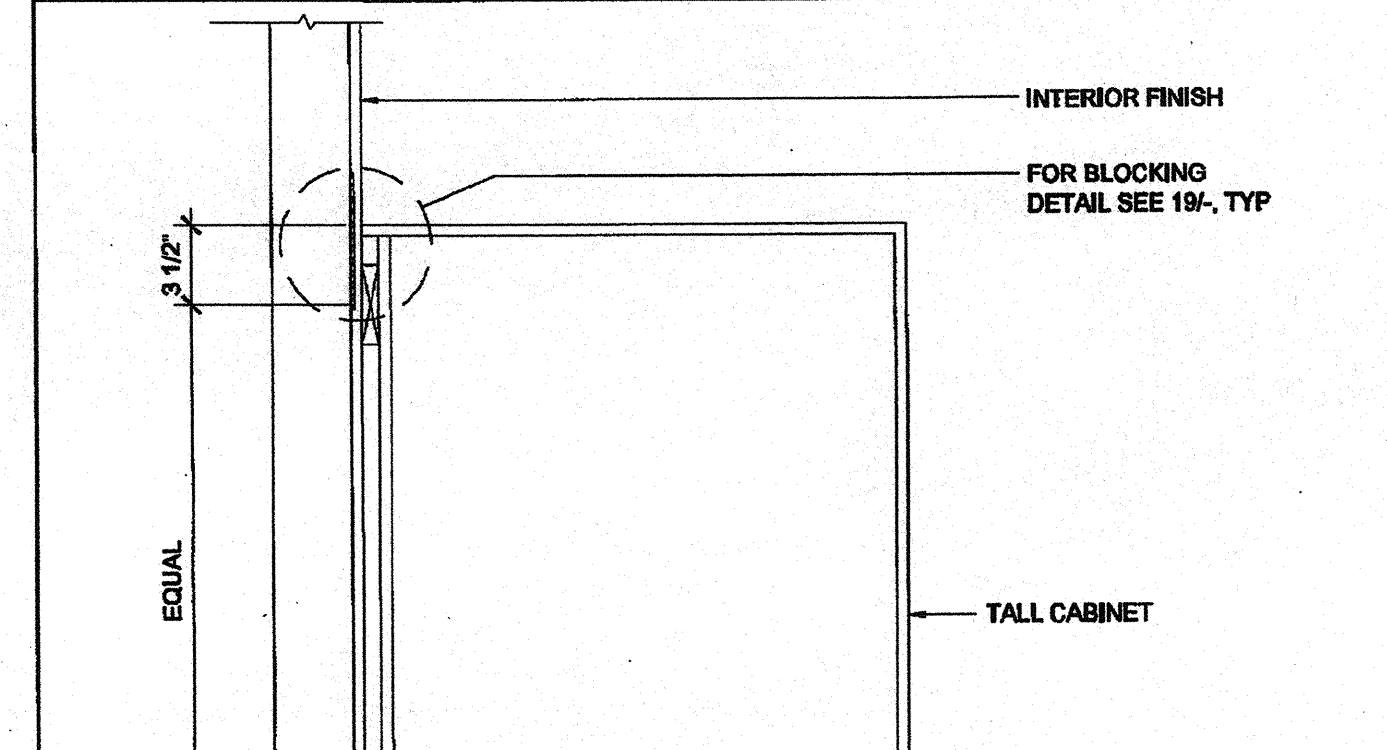
BASE CABINET WALL ANCHORAGE AT WOOD STUD SCALE: 1" = 1'-0" 1



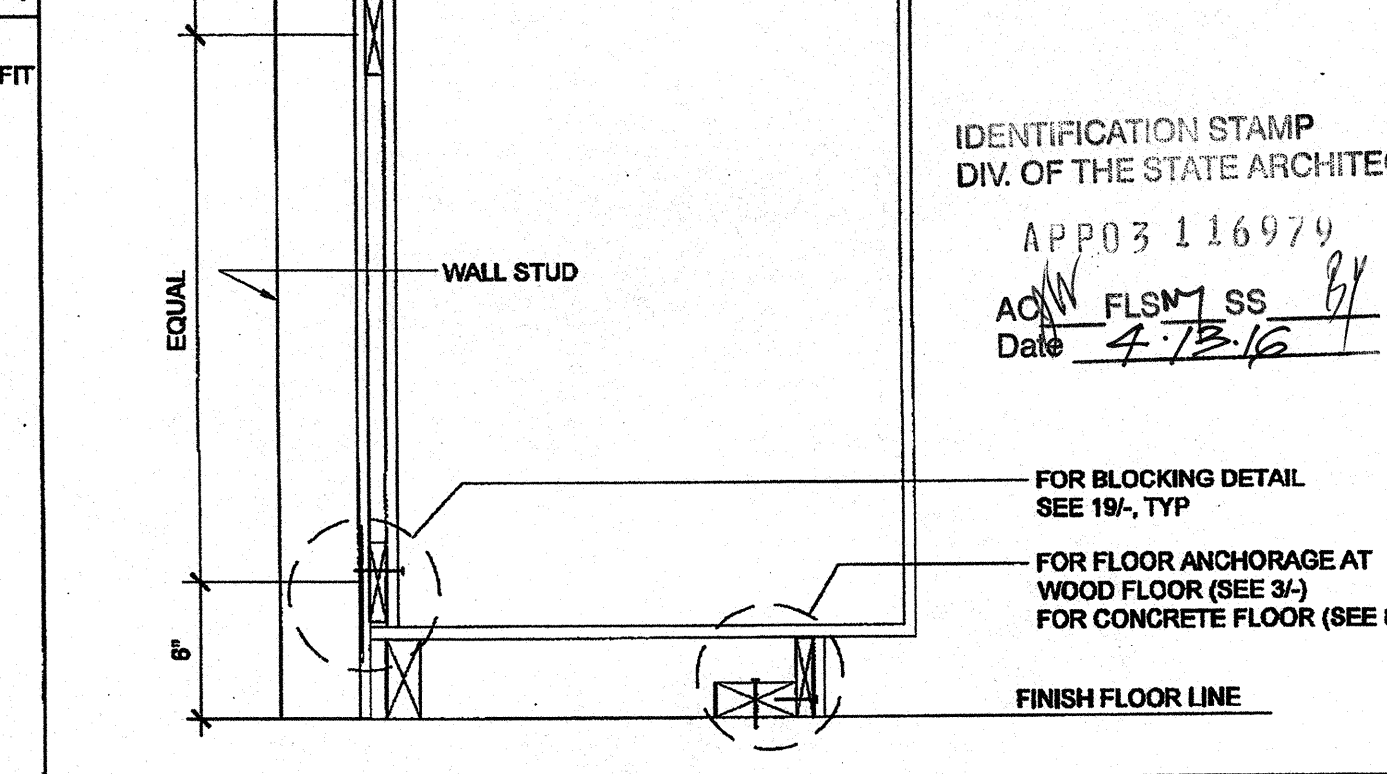
WALL HUNG ANCHORAGE CABINET AT WOOD STUD SCALE: 1 1/2" = 1'-0" 2



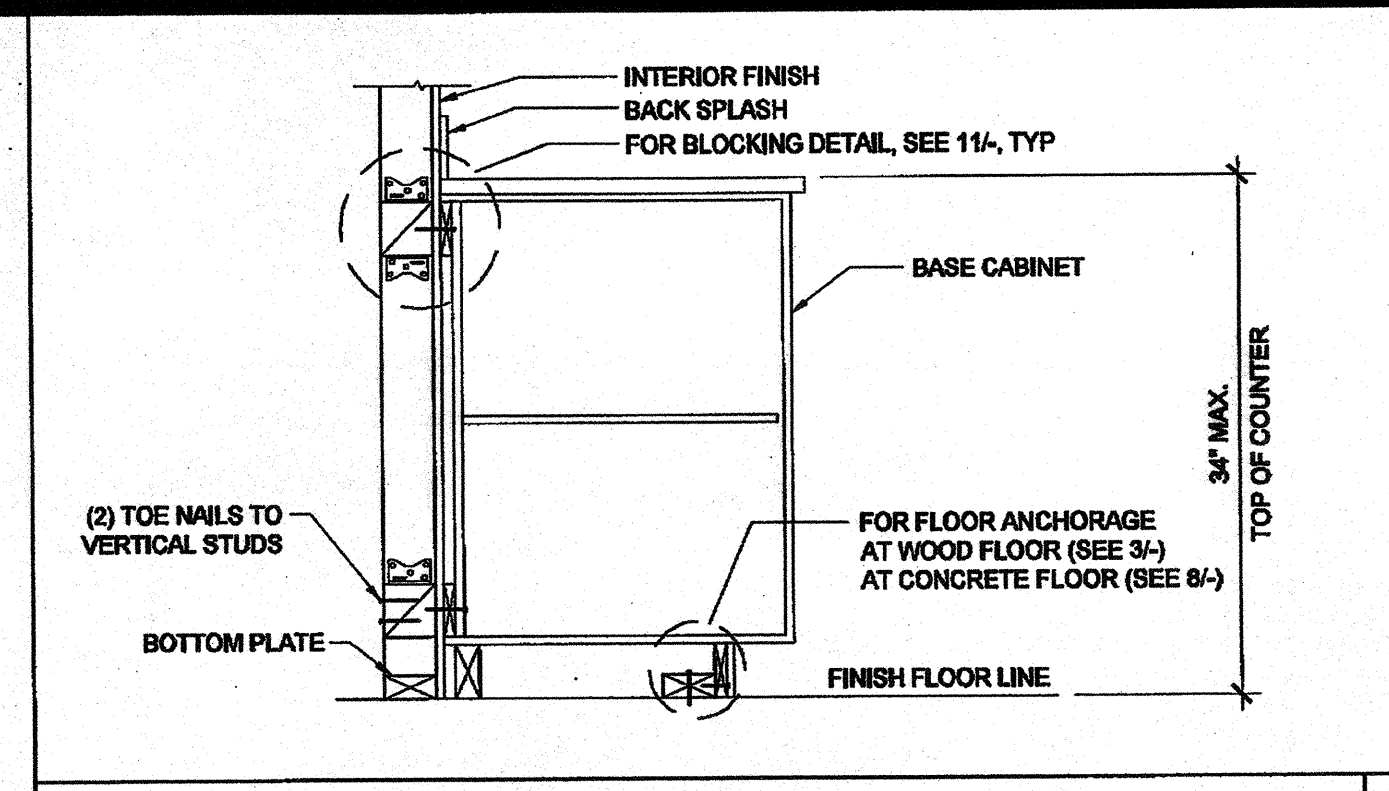
ATTACHMENT TO BLOCKING - CONC. FLOOR SCALE: 3/4" = 1'-0" 8



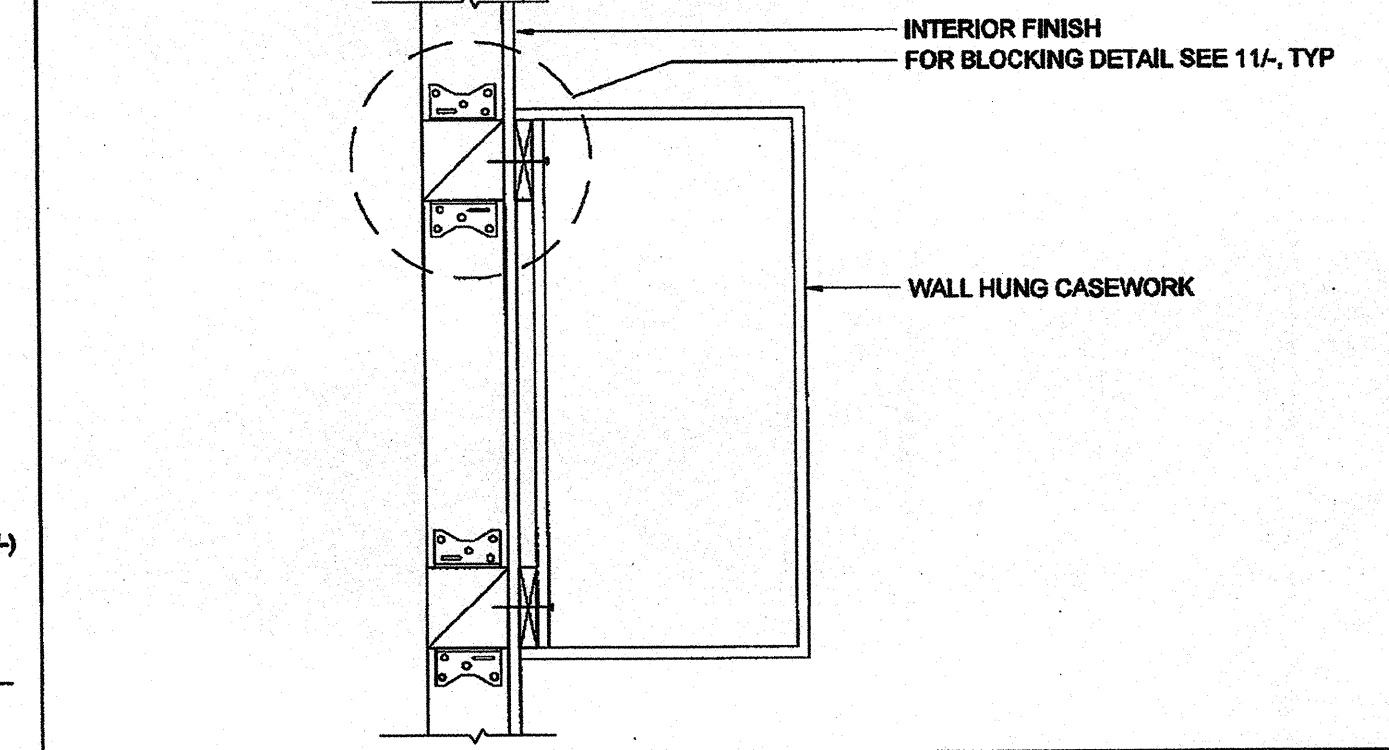
ATTACHMENT TO BLOCKING - WOOD FLOOR SCALE: 3/4" = 1'-0" 3



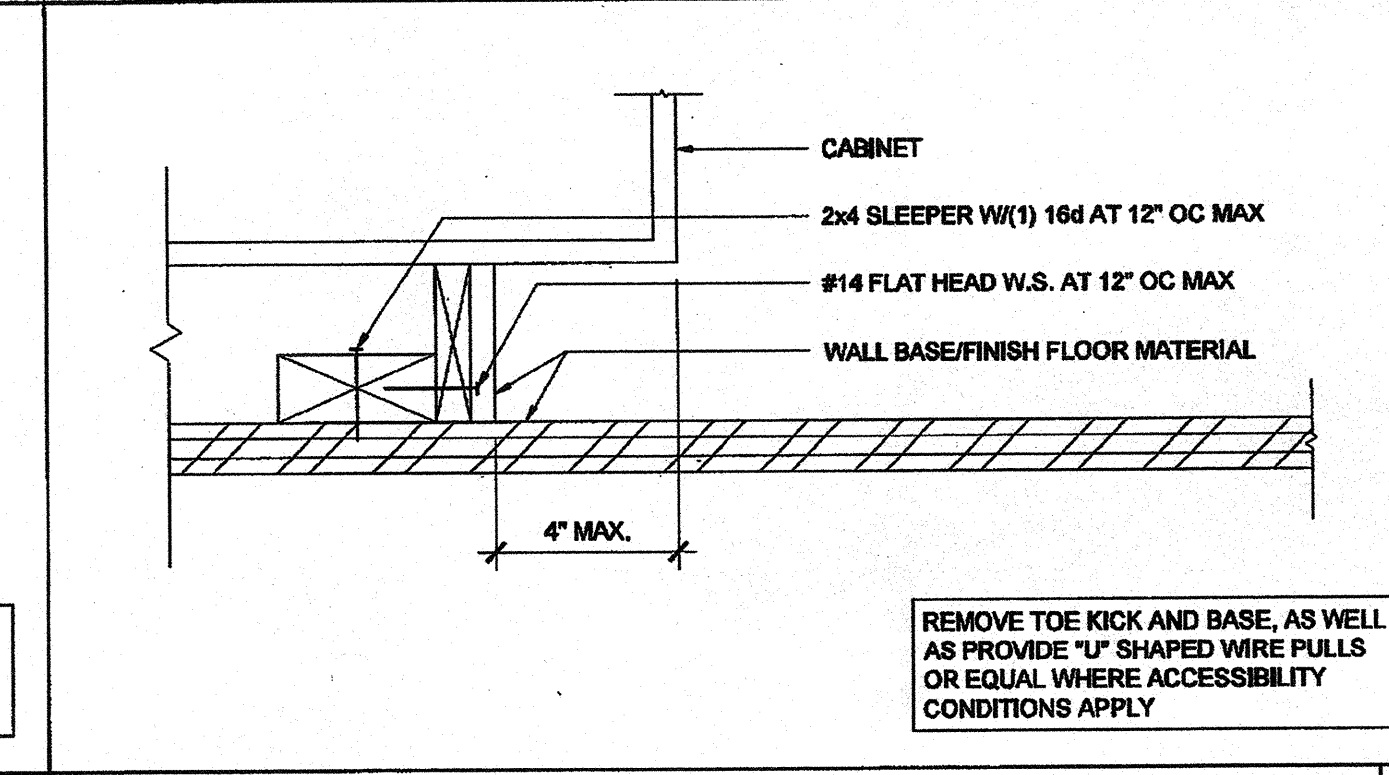
BASE CABINET WALL ANCHORAGE AT WOOD STUD SCALE: 1" = 1'-0" 4



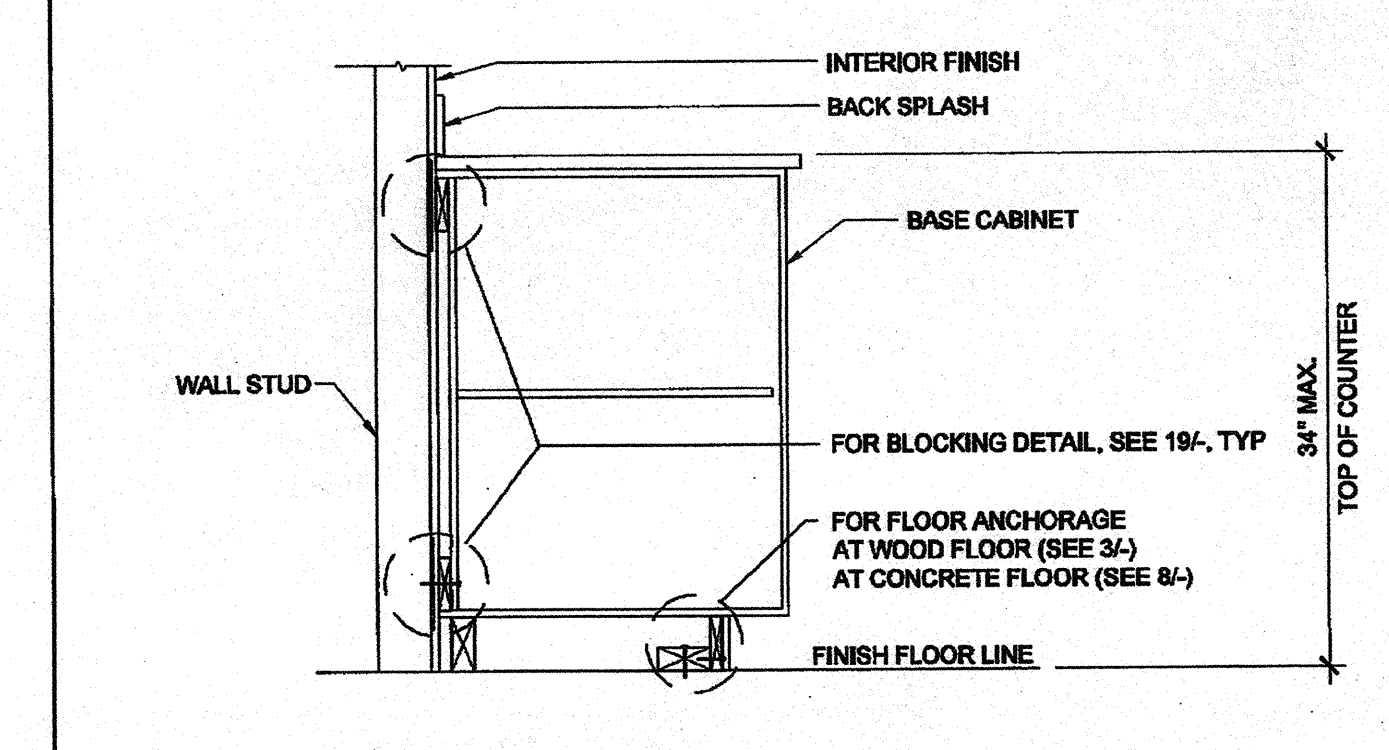
BASE CABINET WALL ANCHORAGE AT WOOD STUD SCALE: 1" = 1'-0" 1



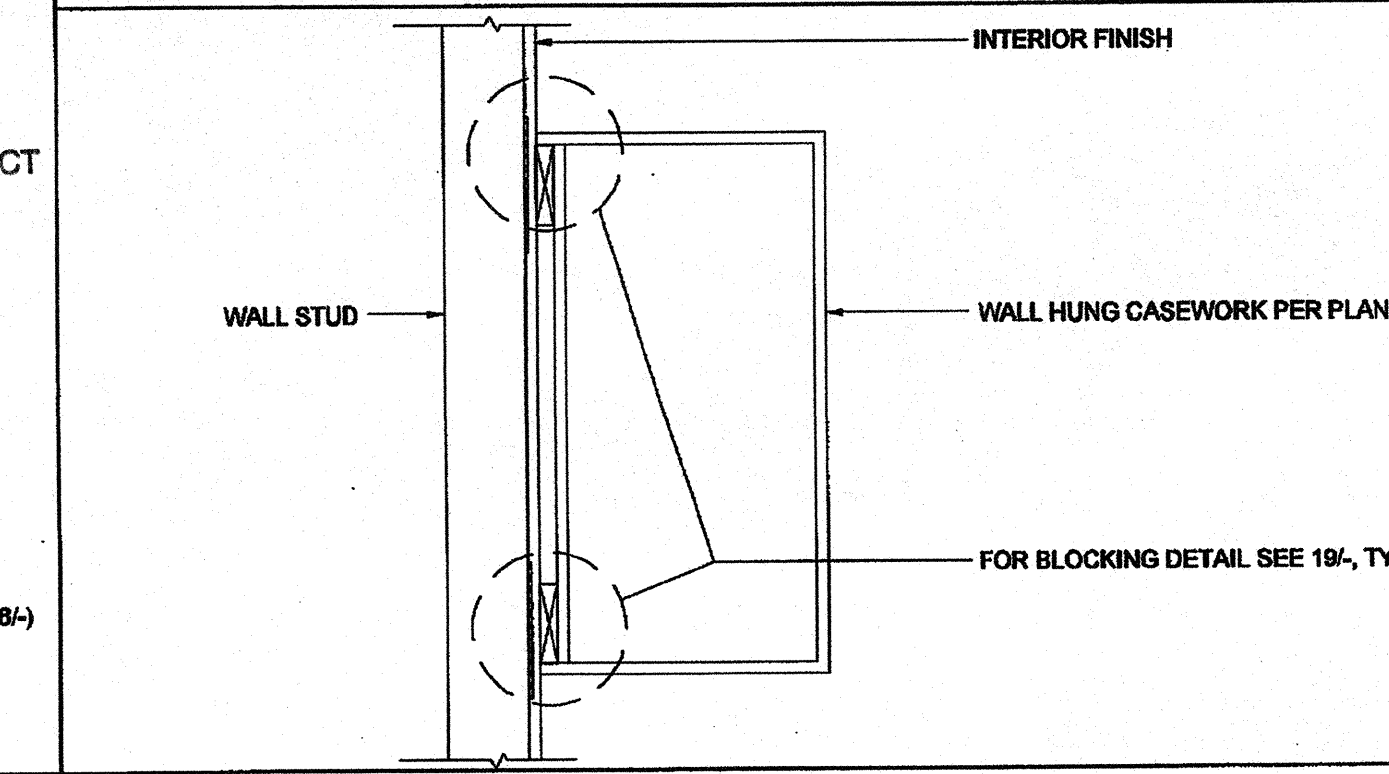
WALL HUNG ANCHORAGE CABINET AT WOOD STUD SCALE: 1 1/2" = 1'-0" 2



ATTACHMENT TO BLOCKING - CONC. FLOOR SCALE: 3/4" = 1'-0" 8



ATTACHMENT TO BLOCKING - WOOD FLOOR SCALE: 3/4" = 1'-0" 3



BASE CABINET WALL ANCHORAGE AT WOOD STUD SCALE: 1" = 1'-0" 4

THESE DRAWINGS AND ALL MATERIAL CONTAINED HEREIN ARE THE PROPERTY OF SILVERCREEK INDUSTRIES, INC. (SCI Inc) AND SHALL NOT BE REPRODUCED, COPIED OR OTHERWISE DISPOSED OF DIRECTLY OR INDIRECTLY AND SHALL NOT BE USED IN WHOLE OR IN PART TO ASSIST IN THE MAKING OF OR FOR THE PURPOSE OF FURNISHING ANY INFORMATION FOR THE MAKING OF DRAWINGS, PRINTS, APPARATUS OR PARTS THEREOF WITHOUT THE FULL KNOWLEDGE AND WRITTEN CONSENT OF SCI Inc. ALL INTENTIBLE MATERIAL CONTAINED HEREIN AND ORIGINATING WITH SCI Inc SHALL BE THE PROPERTY OF SCI Inc.

SILVER CREEK INDUSTRIES, INC.
"BUILDING FOR THE NEXT GENERATION"
SILVER CREEK
195 EAST MORGAN PERIS, CALIFORNIA 92571
PHONE: 951-943-5393 FAX: 951-943-2211

PROJECT NAME:
CLASS LEASING CLASSROOMS BLDG'S

SHEET TITLE:
ARCHITECTURAL DETAILS MISCELLANEOUS / OPTIONS

STAVARES ASSOCIATES
ARCHITECTS
14350 BAYVIEW BLVD SUITE 110
SAN DIEGO, CA 92131
Tel: (619) 441-4400
Fax: (619) 441-4401

[Professional Seal]
12/23/2011

ARCHITECT OF RECORD
SUBMISSION DATE

[Professional Seal]
C10322
2-23-16

PROJECT SPECIFIC STATE AGENCY APPROVAL

IDENTIFICATION STAMP
DIV. OF THE STATE ARCHITECT
OFFICE OF REGULATION SERVICES
04 113850
ACK [Signature]
DATE AUG 23 2016

ORIGINAL PC STATE AGENCY APPROVAL

IDENTIFICATION STAMP
DIV. OF THE STATE ARCHITECT
OFFICE OF REGULATION SERVICES
PC 04-112070
ACK [Signature]
DATE DEC 2 2016

REVISIONS

SILVER CREEK INDUSTRIES
30' x 32' PC

PROJECT NO:
DRAWN BY:
SCALE: AS NOTED
DATE: 5-17-11
P.C. SHEET NUMBER

A-5.80