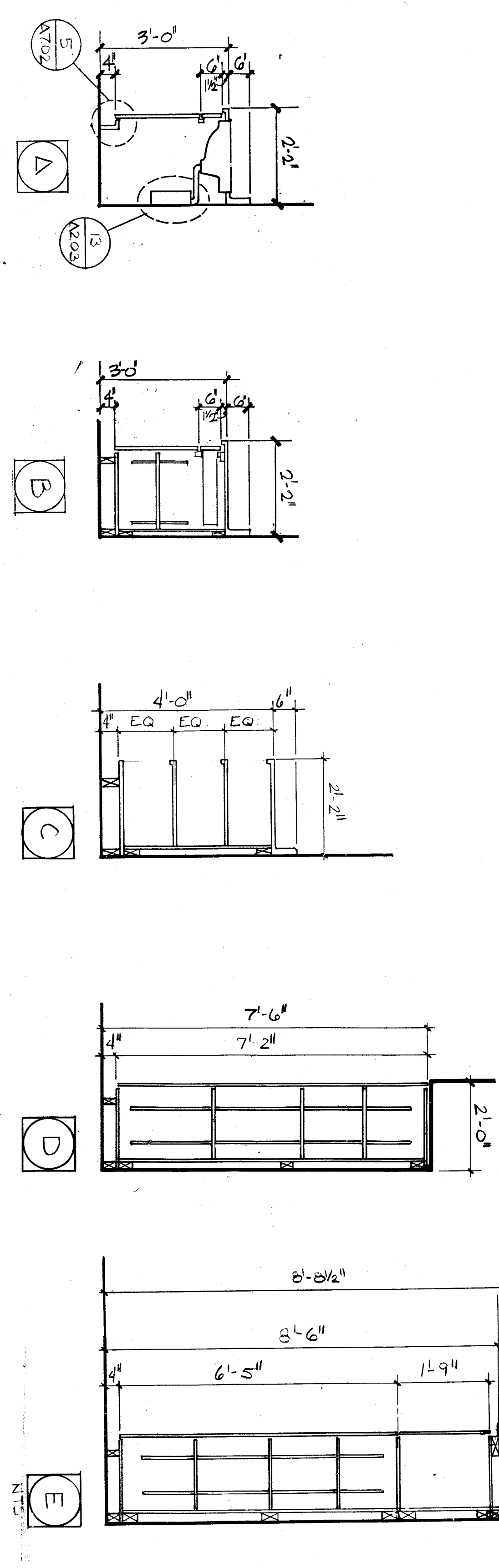


**INTERIOR ELEVATIONS**



**CABINET SECTIONS**

FOR TYPICAL CABINET FINISHANCE SEE 6

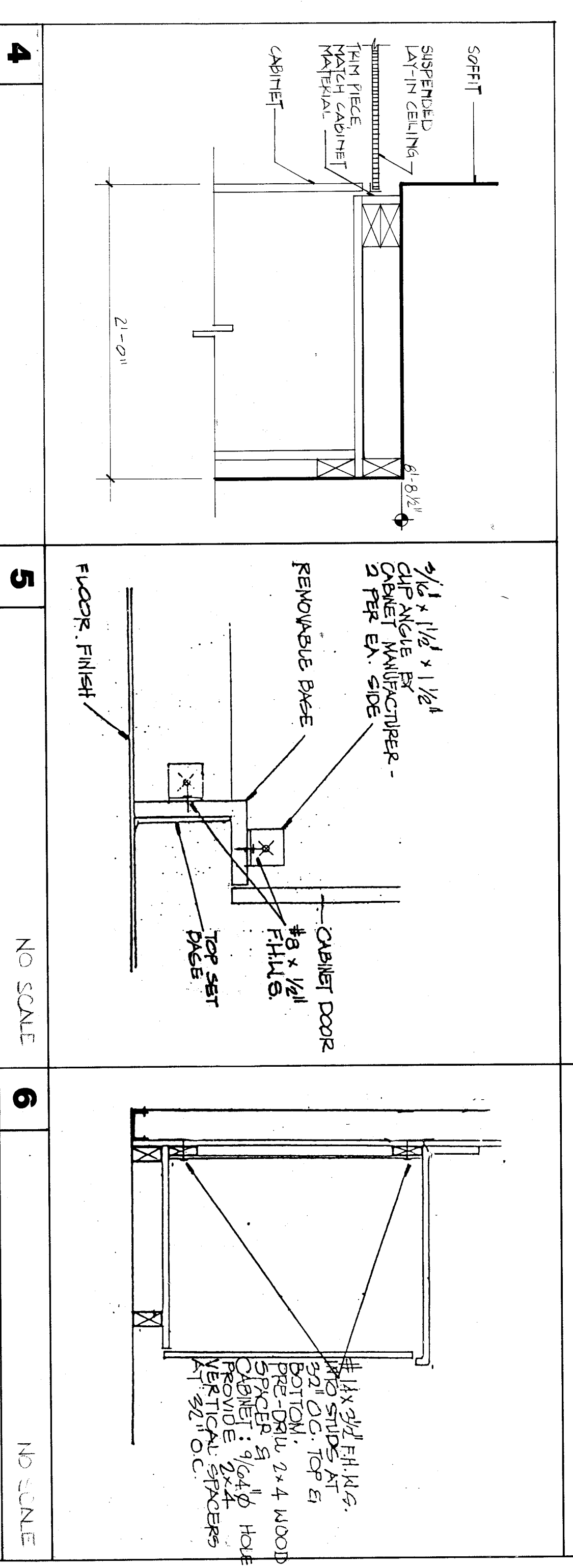
**ADDITIVE ALTERNATE NO. 1**  
 ADD NEW TUBES AND CLASSROOMS AS SHOWN ON INTERIOR ELEVATIONS EXISTING REVOLVED. THE BASE, CHALK AND TACKBOARDS ARE EXISTING TO REMAIN EXISTING TRIM SHALL BE STRIPPED AND PAINTED.

**ADDITIVE ALTERNATE NO. 2**  
 REPLACE EXISTING TUBES IN CLASSROOMS. NOTE: FINISH SHALL BE STRIPPED AND PAINTED IN BOOKS 501 AND 502.

**ADDITIVE ALTERNATE NO. 3**  
 ADD NEW TUBES REQUIRED FOR HANDICAP TOILETS, CEILING TILE WORK, FOOT PARTITIONS. NOTE: BASES SHALL INCLUDE THE FOUNDING BRACKETS OF PLUMBING TOYER AND FINISHES TO BE PERFORMED IN BOOKS 501 AND 502.

**KEY NOTES**

- A. NOT ALL KEY NOTES ARE SHOWN IN THIS SHEET. SEE OTHER SPECIFICATION SHEETS ALSO.
- B. ALL SURFACES SHOWN BY HATCHING, UNLESS SHOWN OTHERWISE, SHALL BE FINISHED WITH MATERIAL, FINISH, TEXTURE AND/OR COLOR OF MODULAR SURFACES.
- 700. REMOVE (C) TUBES, TACKETS, AND CHALKBOARDS FROM ROOMS 501 THROUGH 502.
- 701. UNIT VENTILATION - SEE MECHANICAL.
- 702. STRIP (C) FINISH AT CABINET FACE, SHIELDS, SIDE AND WHEEL (C) FINISH OCCURS. PROVIDE FINISH AT CABINET UNIT. PROVIDE FINISH AT CABINET UNIT AND SHIELDS AS SHOWN.
- 703. REMOVE (C) MECHANICAL UNIT IN CABINET. CAP UNIT WORK AS PER MECHANICAL DRAWINGS.
- 704. REMOVE (C) CABINET SINK WITH SHIELD AS SHOWN.
- 705. REMOVE (C) MORE EXISTING, STRIPPED SURFACES AND PAINT AS SHOWN.
- 706. REMOVE (C) CHALKBOARDS, REPLACE CHALKBOARDS AS SHOWN.
- 707. REMOVE (C) TACKBOARDS WITH OCCURS AND REPLACE TACKBOARDS AS SHOWN.
- 708. REMOVE (C) TACKBOARDS WITH THIS AREA ONLY.
- 709. TOILET PARTITION.
- 710. LAMINATE SURFACE OVER TUBES, DISPENSER AND WASTE RECEPTACLE.
- 711. HATCHING INDICATED TISSUE PAPER DISPENSER.
- 712. HATCHING INDICATED TISSUE PAPER DISPENSER.
- 713. SURFACE MOUNTED SINK DISPENSER.
- 714. CHALK BOARD.
- 715. CHALK BOARD.
- 716. METAL COVER.
- 717. 1'-6" X 3'-6" HATCHING.
- 718. REMOVE (C) CABINET BEHIND BOOK SHELVES AND RE-INSTALL (C) BOOK SHELVES ON WALL.
- 719. REMOVE (C) CABINET SINK WITH CABINET UNIT AS SHOWN.
- 720. REMOVE (C) CHALKBOARDS.
- 721. NO PARTING WHEEL (C) ROOMS OCCURS.
- 722. CERAMIC TILE.
- 723. REMOVABLE MAT AT SINK CABINET ONLY 3'-0" WIDE.
- 724. REMOVE (C) CABINET AS SHOWN ON DRAWING WITH MECHANICAL SINK ON FRONT OF END PANEL AND FINISH TO MATCH (C). REMOVE SCREEN (C) (C).
- 725. NEW MAT MAT.
- 726. CHALK BOARD.
- 727. CHALK BOARD.



ROOSEVELT  
 SCHOOL  
 MODERNIZATION  
 FOR  
 BAKERSFIELD CITY SCHOOL  
 DISTRICT

**INTERIOR ELEVATIONS,  
 CABINET SECTIONS &  
 DETAILS**

**bfgc architects planners inc.**  
 P.O. Box 9898 Bakersfield California 93399-9899  
 51 South Reed Road 93309 (805) 532-9122

**Dr. ORTMAN**  
 C-3132 \*C-8584 C-8021 C-8702

Job no. 88-142  
 date 20 JAN 1989  
 drawn by T. WARREN  
 checked by SCOTT  
 copyright 1989

