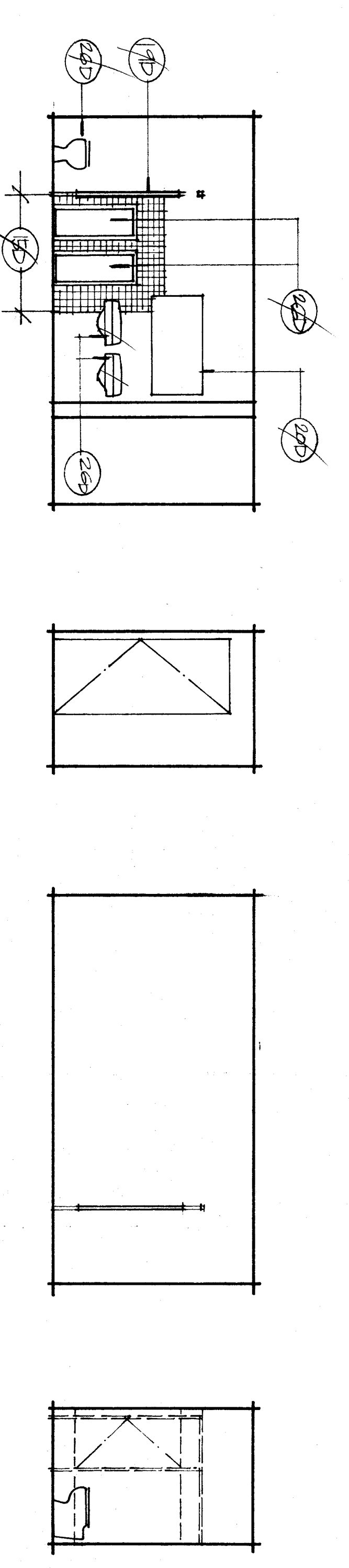


NOTES LISTED IN THIS COLUMN WHICH ARE NOT INDICATED ON THE DRAWING ARE TO BE OBSERVED BY THE CONTRACTOR. REVISIONS TO THE DRAWING ARE TO BE INDICATED BY A REVISION SYMBOL AND A REVISION NUMBER. THE REVISIONS TO THE DRAWING ARE TO BE MADE BY THE CONTRACTOR. THE REVISIONS TO THE DRAWING ARE TO BE MADE BY THE CONTRACTOR. THE REVISIONS TO THE DRAWING ARE TO BE MADE BY THE CONTRACTOR.

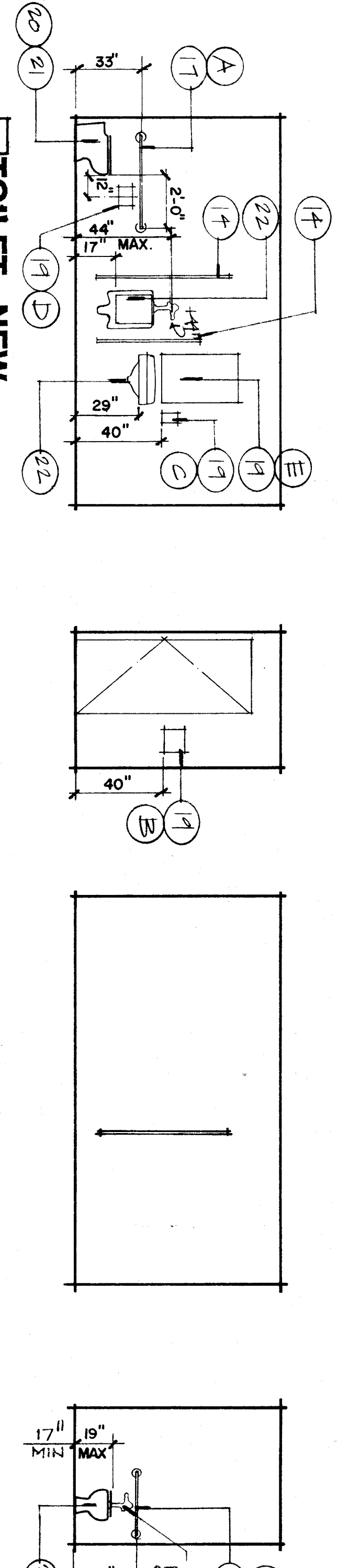
LEGEND
 (M) = MEASUREMENT
 (R) = REMOVAL
 (I) = INSTALLATION
 (S) = AS SHOWN, DETAILS SCHEDULED FOR SPECIFICATION

- NEW WORK
1. (M) UPPER CABINETS AND APPLIANCE ITEMS TO BE PROVIDED & INSTALLED AS SESS.
 2. (M) LOWER CABINETS AND APPLIANCE ITEMS TO BE PROVIDED & INSTALLED AS SESS.
 3. (M) FULL HEIGHT CABINETS AND APPLIANCE ITEMS TO BE PROVIDED & INSTALLED AS SESS.
 4. (M) COUNTERTOP, SINK AND APPLIANCE ITEMS TO BE PROVIDED & INSTALLED AS SESS.
 5. (M) COUNTER, COUNTERTOP, SINK AND APPLIANCE ITEMS TO BE PROVIDED & INSTALLED AS SESS.
 6. (M) TRAIL LIGHTING ON OTHER ITEMS AND APPLIANCE WORK TO BE PROVIDED & INSTALLED AS SESS.
 7. (M) LAY IN BUILT INSULATION TO BE PROVIDED & INSTALLED AS SESS IN TRAIL CEILING AS SESS.
 8. (M) DOOR AND/OR HANDRAILS AND APPLIANCE ITEMS TO BE PROVIDED & INSTALLED AS SESS.
 9. (M) PAINT OVER (E) PLASTER WALL FINISH.
 10. (M) TRAIL LIGHTING (SEE DRAWING) AND APPLIANCE ITEMS TO BE PROVIDED & INSTALLED AS SESS.
 11. (M) BASE AND APPLIANCE ITEMS TO BE PROVIDED & INSTALLED AS SESS.
 12. (M) CHALKBOARD TRAIL AND APPLIANCE ITEMS TO BE PROVIDED & INSTALLED AS SESS.
 13. (M) TYPEDOWN TRAIL AND APPLIANCE ITEMS TO BE PROVIDED & INSTALLED AS SESS.
 14. (M) TOILET PARTITION AND APPLIANCE ITEMS TO BE PROVIDED & INSTALLED AS SESS.
 15. (M) HANDBOOK CHAIRLIFT AND APPLIANCE ITEMS TO BE PROVIDED & INSTALLED AS SESS.
 16. (M) HANDBOOK CHAIRLIFT AND APPLIANCE ITEMS TO BE PROVIDED & INSTALLED AS SESS.
 17. (M) HANDBOOK CHAIRLIFT AND APPLIANCE ITEMS TO BE PROVIDED & INSTALLED AS SESS.
 18. (M) HANDBOOK CHAIRLIFT AND APPLIANCE ITEMS TO BE PROVIDED & INSTALLED AS SESS.
 19. (M) HANDBOOK CHAIRLIFT AND APPLIANCE ITEMS TO BE PROVIDED & INSTALLED AS SESS.
 20. (M) HANDBOOK CHAIRLIFT AND APPLIANCE ITEMS TO BE PROVIDED & INSTALLED AS SESS.
 21. (M) HANDBOOK CHAIRLIFT AND APPLIANCE ITEMS TO BE PROVIDED & INSTALLED AS SESS.
 22. (M) HANDBOOK CHAIRLIFT AND APPLIANCE ITEMS TO BE PROVIDED & INSTALLED AS SESS.
 23. (M) HANDBOOK CHAIRLIFT AND APPLIANCE ITEMS TO BE PROVIDED & INSTALLED AS SESS.
 24. (M) HANDBOOK CHAIRLIFT AND APPLIANCE ITEMS TO BE PROVIDED & INSTALLED AS SESS.
 25. (M) HANDBOOK CHAIRLIFT AND APPLIANCE ITEMS TO BE PROVIDED & INSTALLED AS SESS.
 26. (M) HANDBOOK CHAIRLIFT AND APPLIANCE ITEMS TO BE PROVIDED & INSTALLED AS SESS.
 27. (M) HANDBOOK CHAIRLIFT AND APPLIANCE ITEMS TO BE PROVIDED & INSTALLED AS SESS.
 28. (M) HANDBOOK CHAIRLIFT AND APPLIANCE ITEMS TO BE PROVIDED & INSTALLED AS SESS.
 29. (M) HANDBOOK CHAIRLIFT AND APPLIANCE ITEMS TO BE PROVIDED & INSTALLED AS SESS.
 30. (M) HANDBOOK CHAIRLIFT AND APPLIANCE ITEMS TO BE PROVIDED & INSTALLED AS SESS.
 31. (M) HANDBOOK CHAIRLIFT AND APPLIANCE ITEMS TO BE PROVIDED & INSTALLED AS SESS.
 32. (M) HANDBOOK CHAIRLIFT AND APPLIANCE ITEMS TO BE PROVIDED & INSTALLED AS SESS.

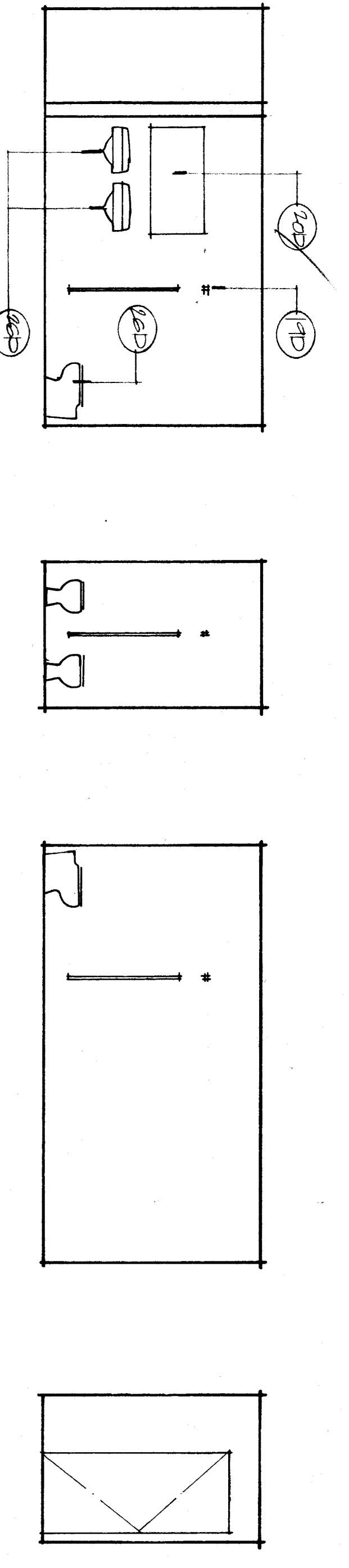
33. (M) HANDBOOK CHAIRLIFT AND APPLIANCE ITEMS TO BE PROVIDED & INSTALLED AS SESS.
34. (M) HANDBOOK CHAIRLIFT AND APPLIANCE ITEMS TO BE PROVIDED & INSTALLED AS SESS.
35. (M) HANDBOOK CHAIRLIFT AND APPLIANCE ITEMS TO BE PROVIDED & INSTALLED AS SESS.
36. (M) HANDBOOK CHAIRLIFT AND APPLIANCE ITEMS TO BE PROVIDED & INSTALLED AS SESS.
37. (M) HANDBOOK CHAIRLIFT AND APPLIANCE ITEMS TO BE PROVIDED & INSTALLED AS SESS.
38. (M) HANDBOOK CHAIRLIFT AND APPLIANCE ITEMS TO BE PROVIDED & INSTALLED AS SESS.
39. (M) HANDBOOK CHAIRLIFT AND APPLIANCE ITEMS TO BE PROVIDED & INSTALLED AS SESS.
40. (M) HANDBOOK CHAIRLIFT AND APPLIANCE ITEMS TO BE PROVIDED & INSTALLED AS SESS.
41. (M) HANDBOOK CHAIRLIFT AND APPLIANCE ITEMS TO BE PROVIDED & INSTALLED AS SESS.
42. (M) HANDBOOK CHAIRLIFT AND APPLIANCE ITEMS TO BE PROVIDED & INSTALLED AS SESS.
43. (M) HANDBOOK CHAIRLIFT AND APPLIANCE ITEMS TO BE PROVIDED & INSTALLED AS SESS.
44. (M) HANDBOOK CHAIRLIFT AND APPLIANCE ITEMS TO BE PROVIDED & INSTALLED AS SESS.
45. (M) HANDBOOK CHAIRLIFT AND APPLIANCE ITEMS TO BE PROVIDED & INSTALLED AS SESS.
46. (M) HANDBOOK CHAIRLIFT AND APPLIANCE ITEMS TO BE PROVIDED & INSTALLED AS SESS.
47. (M) HANDBOOK CHAIRLIFT AND APPLIANCE ITEMS TO BE PROVIDED & INSTALLED AS SESS.
48. (M) HANDBOOK CHAIRLIFT AND APPLIANCE ITEMS TO BE PROVIDED & INSTALLED AS SESS.
49. (M) HANDBOOK CHAIRLIFT AND APPLIANCE ITEMS TO BE PROVIDED & INSTALLED AS SESS.
50. (M) HANDBOOK CHAIRLIFT AND APPLIANCE ITEMS TO BE PROVIDED & INSTALLED AS SESS.
51. (M) HANDBOOK CHAIRLIFT AND APPLIANCE ITEMS TO BE PROVIDED & INSTALLED AS SESS.
52. (M) HANDBOOK CHAIRLIFT AND APPLIANCE ITEMS TO BE PROVIDED & INSTALLED AS SESS.
53. (M) HANDBOOK CHAIRLIFT AND APPLIANCE ITEMS TO BE PROVIDED & INSTALLED AS SESS.
54. (M) HANDBOOK CHAIRLIFT AND APPLIANCE ITEMS TO BE PROVIDED & INSTALLED AS SESS.
55. (M) HANDBOOK CHAIRLIFT AND APPLIANCE ITEMS TO BE PROVIDED & INSTALLED AS SESS.
56. (M) HANDBOOK CHAIRLIFT AND APPLIANCE ITEMS TO BE PROVIDED & INSTALLED AS SESS.
57. (M) HANDBOOK CHAIRLIFT AND APPLIANCE ITEMS TO BE PROVIDED & INSTALLED AS SESS.
58. (M) HANDBOOK CHAIRLIFT AND APPLIANCE ITEMS TO BE PROVIDED & INSTALLED AS SESS.
59. (M) HANDBOOK CHAIRLIFT AND APPLIANCE ITEMS TO BE PROVIDED & INSTALLED AS SESS.
60. (M) HANDBOOK CHAIRLIFT AND APPLIANCE ITEMS TO BE PROVIDED & INSTALLED AS SESS.
61. (M) HANDBOOK CHAIRLIFT AND APPLIANCE ITEMS TO BE PROVIDED & INSTALLED AS SESS.
62. (M) HANDBOOK CHAIRLIFT AND APPLIANCE ITEMS TO BE PROVIDED & INSTALLED AS SESS.
63. (M) HANDBOOK CHAIRLIFT AND APPLIANCE ITEMS TO BE PROVIDED & INSTALLED AS SESS.
64. (M) HANDBOOK CHAIRLIFT AND APPLIANCE ITEMS TO BE PROVIDED & INSTALLED AS SESS.
65. (M) HANDBOOK CHAIRLIFT AND APPLIANCE ITEMS TO BE PROVIDED & INSTALLED AS SESS.
66. (M) HANDBOOK CHAIRLIFT AND APPLIANCE ITEMS TO BE PROVIDED & INSTALLED AS SESS.
67. (M) HANDBOOK CHAIRLIFT AND APPLIANCE ITEMS TO BE PROVIDED & INSTALLED AS SESS.
68. (M) HANDBOOK CHAIRLIFT AND APPLIANCE ITEMS TO BE PROVIDED & INSTALLED AS SESS.
69. (M) HANDBOOK CHAIRLIFT AND APPLIANCE ITEMS TO BE PROVIDED & INSTALLED AS SESS.
70. (M) HANDBOOK CHAIRLIFT AND APPLIANCE ITEMS TO BE PROVIDED & INSTALLED AS SESS.
71. (M) HANDBOOK CHAIRLIFT AND APPLIANCE ITEMS TO BE PROVIDED & INSTALLED AS SESS.
72. (M) HANDBOOK CHAIRLIFT AND APPLIANCE ITEMS TO BE PROVIDED & INSTALLED AS SESS.
73. (M) HANDBOOK CHAIRLIFT AND APPLIANCE ITEMS TO BE PROVIDED & INSTALLED AS SESS.
74. (M) HANDBOOK CHAIRLIFT AND APPLIANCE ITEMS TO BE PROVIDED & INSTALLED AS SESS.
75. (M) HANDBOOK CHAIRLIFT AND APPLIANCE ITEMS TO BE PROVIDED & INSTALLED AS SESS.
76. (M) HANDBOOK CHAIRLIFT AND APPLIANCE ITEMS TO BE PROVIDED & INSTALLED AS SESS.
77. (M) HANDBOOK CHAIRLIFT AND APPLIANCE ITEMS TO BE PROVIDED & INSTALLED AS SESS.
78. (M) HANDBOOK CHAIRLIFT AND APPLIANCE ITEMS TO BE PROVIDED & INSTALLED AS SESS.
79. (M) HANDBOOK CHAIRLIFT AND APPLIANCE ITEMS TO BE PROVIDED & INSTALLED AS SESS.
80. (M) HANDBOOK CHAIRLIFT AND APPLIANCE ITEMS TO BE PROVIDED & INSTALLED AS SESS.
81. (M) HANDBOOK CHAIRLIFT AND APPLIANCE ITEMS TO BE PROVIDED & INSTALLED AS SESS.
82. (M) HANDBOOK CHAIRLIFT AND APPLIANCE ITEMS TO BE PROVIDED & INSTALLED AS SESS.
83. (M) HANDBOOK CHAIRLIFT AND APPLIANCE ITEMS TO BE PROVIDED & INSTALLED AS SESS.
84. (M) HANDBOOK CHAIRLIFT AND APPLIANCE ITEMS TO BE PROVIDED & INSTALLED AS SESS.
85. (M) HANDBOOK CHAIRLIFT AND APPLIANCE ITEMS TO BE PROVIDED & INSTALLED AS SESS.
86. (M) HANDBOOK CHAIRLIFT AND APPLIANCE ITEMS TO BE PROVIDED & INSTALLED AS SESS.
87. (M) HANDBOOK CHAIRLIFT AND APPLIANCE ITEMS TO BE PROVIDED & INSTALLED AS SESS.
88. (M) HANDBOOK CHAIRLIFT AND APPLIANCE ITEMS TO BE PROVIDED & INSTALLED AS SESS.
89. (M) HANDBOOK CHAIRLIFT AND APPLIANCE ITEMS TO BE PROVIDED & INSTALLED AS SESS.
90. (M) HANDBOOK CHAIRLIFT AND APPLIANCE ITEMS TO BE PROVIDED & INSTALLED AS SESS.
91. (M) HANDBOOK CHAIRLIFT AND APPLIANCE ITEMS TO BE PROVIDED & INSTALLED AS SESS.
92. (M) HANDBOOK CHAIRLIFT AND APPLIANCE ITEMS TO BE PROVIDED & INSTALLED AS SESS.
93. (M) HANDBOOK CHAIRLIFT AND APPLIANCE ITEMS TO BE PROVIDED & INSTALLED AS SESS.
94. (M) HANDBOOK CHAIRLIFT AND APPLIANCE ITEMS TO BE PROVIDED & INSTALLED AS SESS.
95. (M) HANDBOOK CHAIRLIFT AND APPLIANCE ITEMS TO BE PROVIDED & INSTALLED AS SESS.
96. (M) HANDBOOK CHAIRLIFT AND APPLIANCE ITEMS TO BE PROVIDED & INSTALLED AS SESS.
97. (M) HANDBOOK CHAIRLIFT AND APPLIANCE ITEMS TO BE PROVIDED & INSTALLED AS SESS.
98. (M) HANDBOOK CHAIRLIFT AND APPLIANCE ITEMS TO BE PROVIDED & INSTALLED AS SESS.
99. (M) HANDBOOK CHAIRLIFT AND APPLIANCE ITEMS TO BE PROVIDED & INSTALLED AS SESS.
100. (M) HANDBOOK CHAIRLIFT AND APPLIANCE ITEMS TO BE PROVIDED & INSTALLED AS SESS.



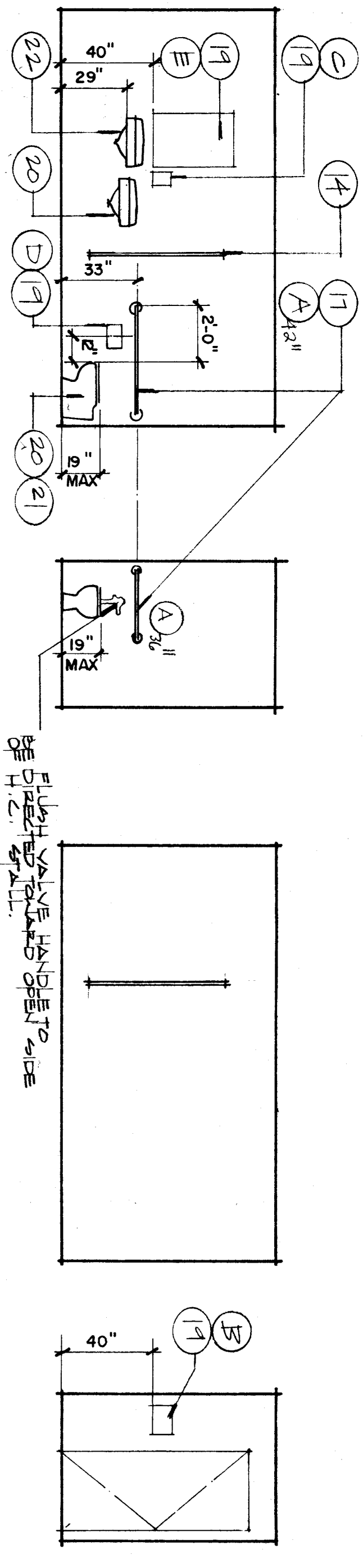
7 TOILET - EXISTING



7 TOILET - NEW



8 TOILET - EXISTING



8 TOILET - NEW

NOTE
 1. FOR DOOR/HARDWARE INFORMATION REFER TO DOOR SCHEDULE.
 2. FOR FINISH INFORMATION REFER TO FINISH SCHEDULE.

FLUSH VALVE HANDLE TO BE DIRECTED TO THE SIDE

FLUSH VALVE HANDLE TO BE DIRECTED TO THE SIDE OF THE WALL

TITLE 24 & 1979 UBC

FEB 27 1990

A.11