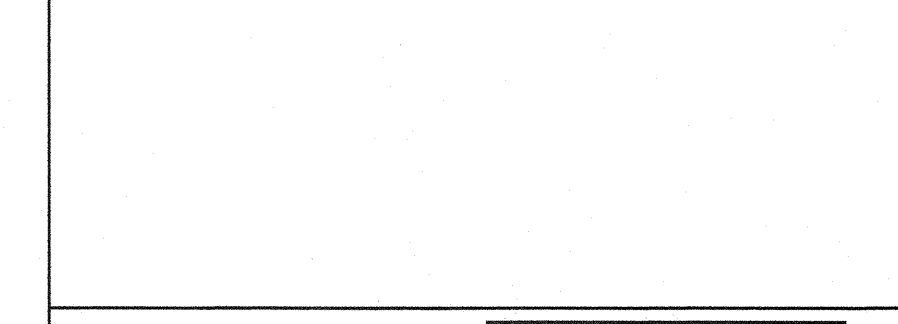


COPYRIGHT:
 Any reproduction or distribution for any purpose other than authorized by IBI Group is forbidden.
 COPYRIGHT 2017 IBI GROUP

REVISIONS

NO.	DATE	APPRD.	DESCRIPTION



CONSULTANT
SSG
 SMITH STRUCTURAL GROUP, LLP
 311 E. Capitol Mall, Suite 200 | 805-439-2110
 San Luis Obispo, CA 93401 | smithstructural.com
 THESE DRAWINGS, NOTES AND DETAILS ARE INSTRUMENTS OF SERVICE AND ARE THE PROPERTY OF SMITH STRUCTURAL GROUP, LLP. ALL DRAWINGS, INFORMATION, SPECIFICATIONS, IDEAS, DESIGN AND ARRANGEMENTS REPRESENTED WITHIN THESE DOCUMENTS SHALL REMAIN THE PROPERTY OF THE ENGINEER AND PARTY THEREOF. NO PART OF THESE DOCUMENTS SHALL BE COPIED, DISCLOSED TO OTHERS OR USED IN CONNECTION WITH ANY WORK OR PROJECT OTHER THAN THE SPECIFIC PROJECT FOR WHICH THEY HAVE BEEN PREPARED AND DEVELOPED WITHOUT THE EXPRESSED WRITTEN CONSENT OF THE ENGINEER. COPYRIGHT 2017.

DATE SIGNED:
 10.25.17

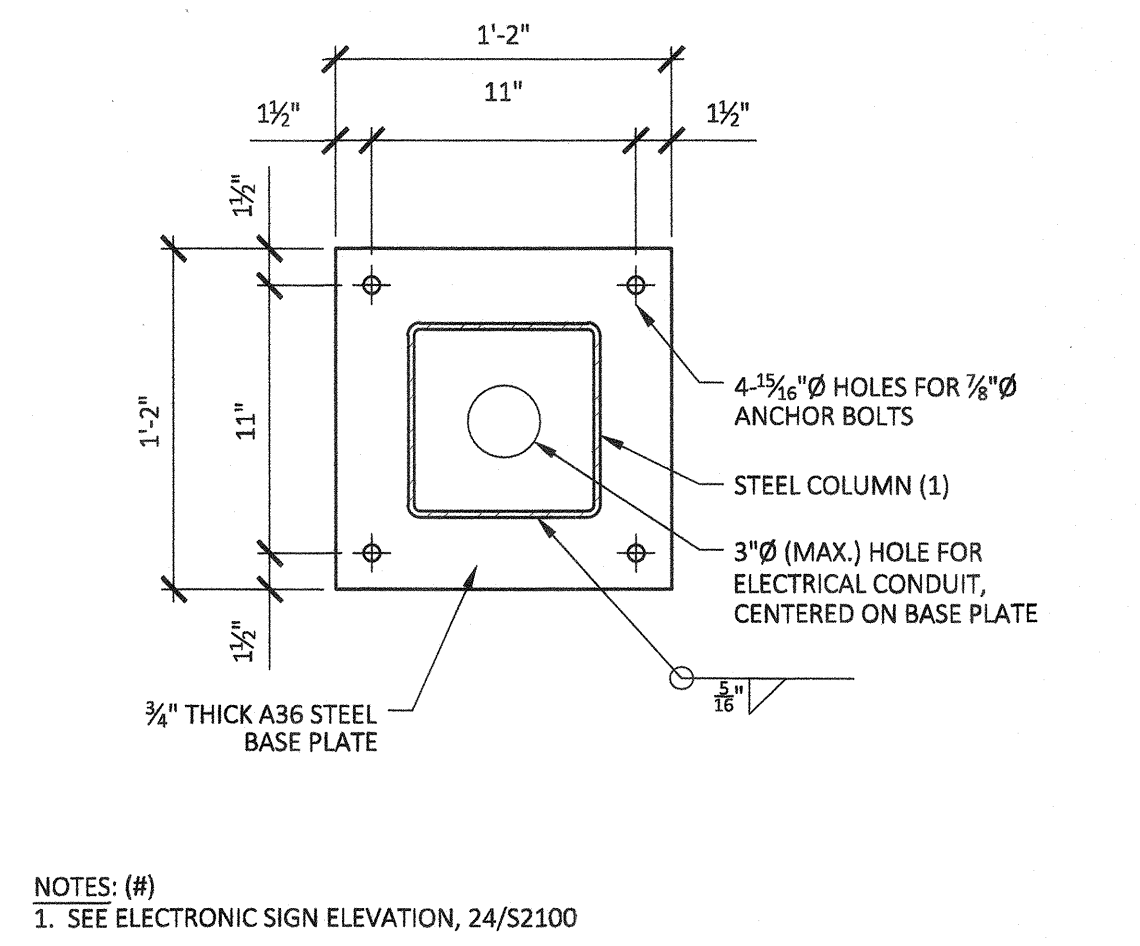
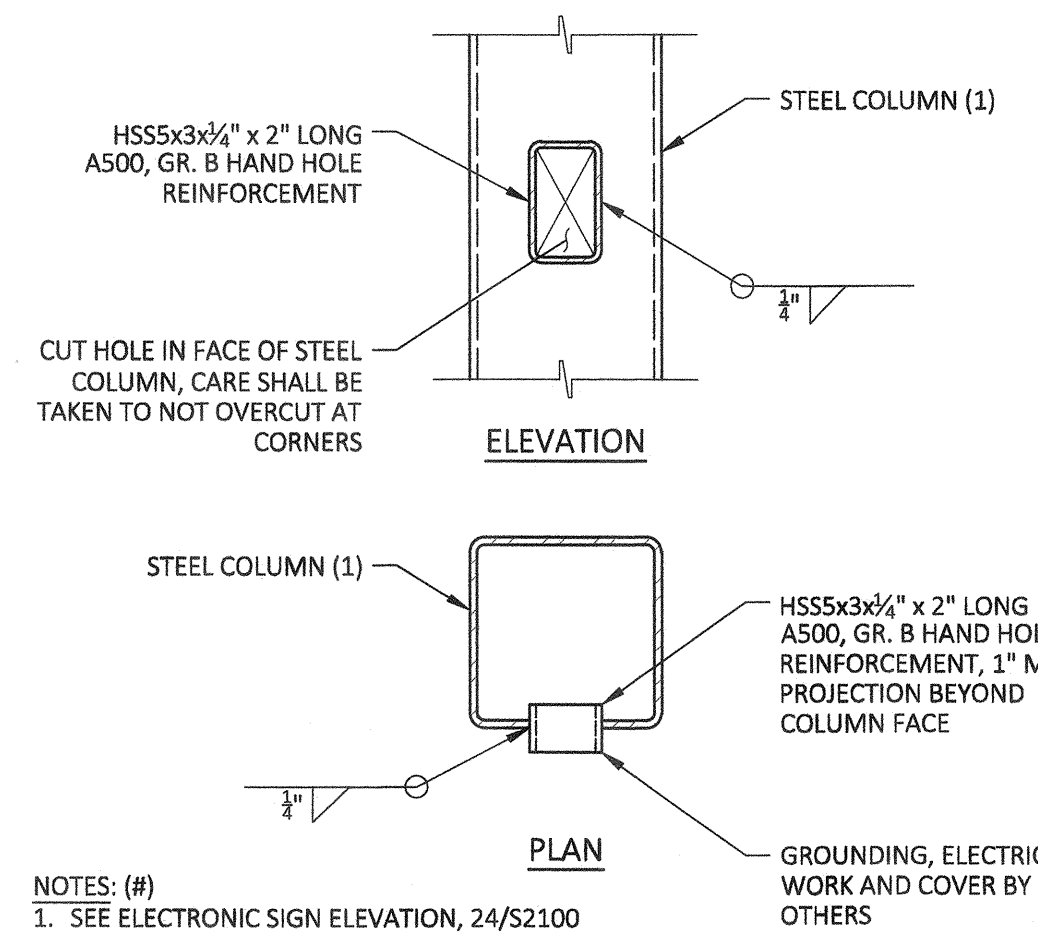
AGENCY INFORMATION:
 AGENCY TRACKING NO. 63321-274
 FILE NO. 15-6
 IDENTIFICATION STAMP
 DIV. OF THE STATE ARCHITECT
 OFFICE OF REGULATION SERVICES
03-118196
 AC _____ FLS _____ SS _____
 DATE OCT 25 2017

BAKERSFIELD CITY SCHOOL DISTRICT

WILLIAM PENN E.S. - MARQUEE SIGN
 2201 SAN EMIDIO ST., BAKERSFIELD, CA 93304

OPSC or OSHPD PROJ. NO.:
 PROJECT NO: 17146.000
 DRAWN BY: SEA
 CHKD BY: JMM
 ISSUE DATE: 10/25/2017
 SHEET TITLE
STRUCTURAL DETAILS
 SHEET NUMBER

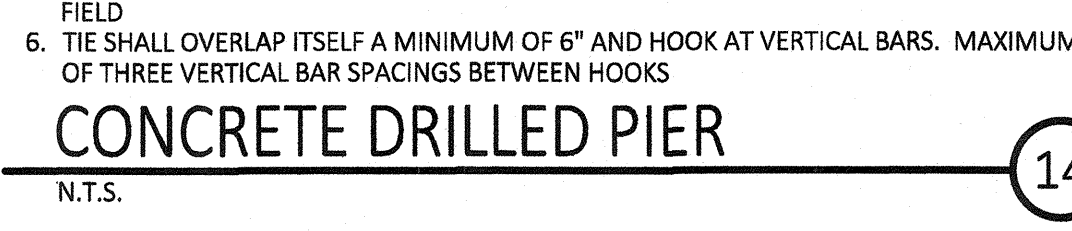
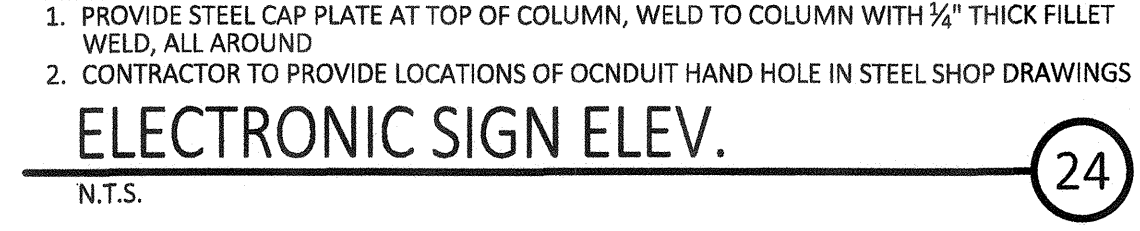
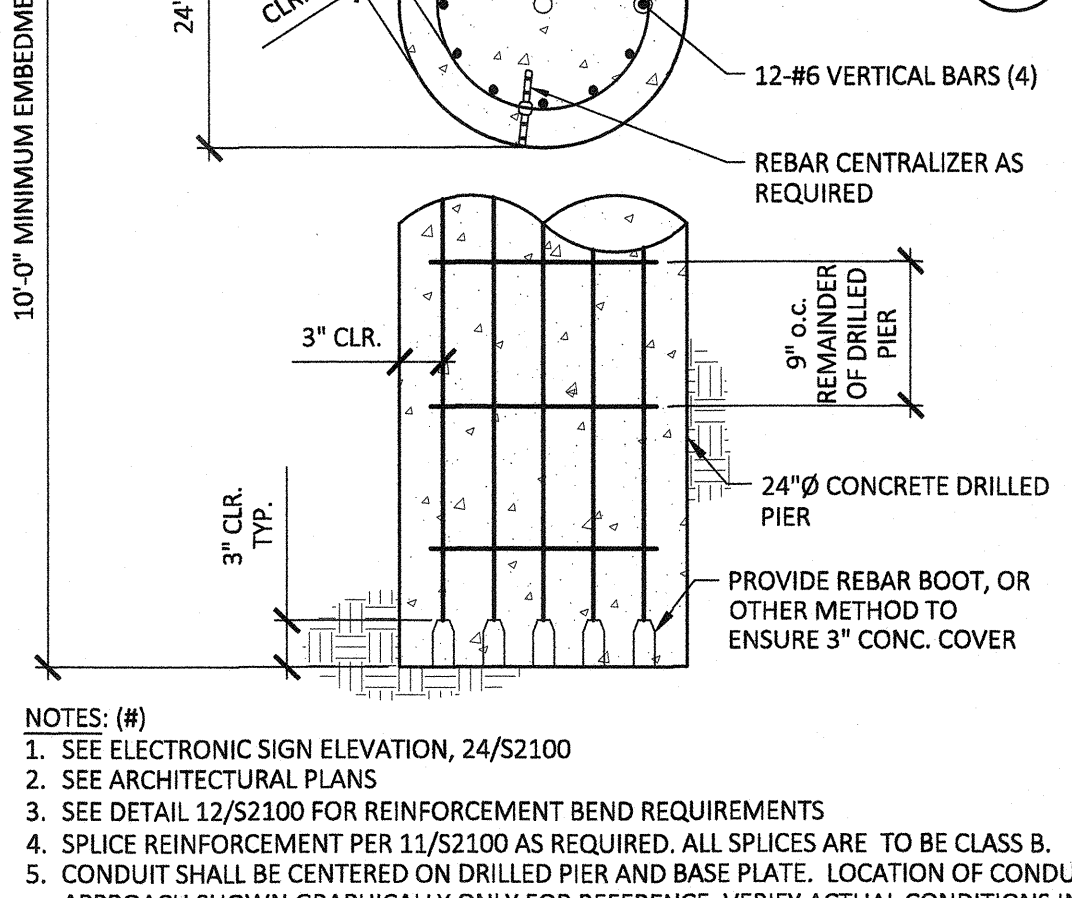
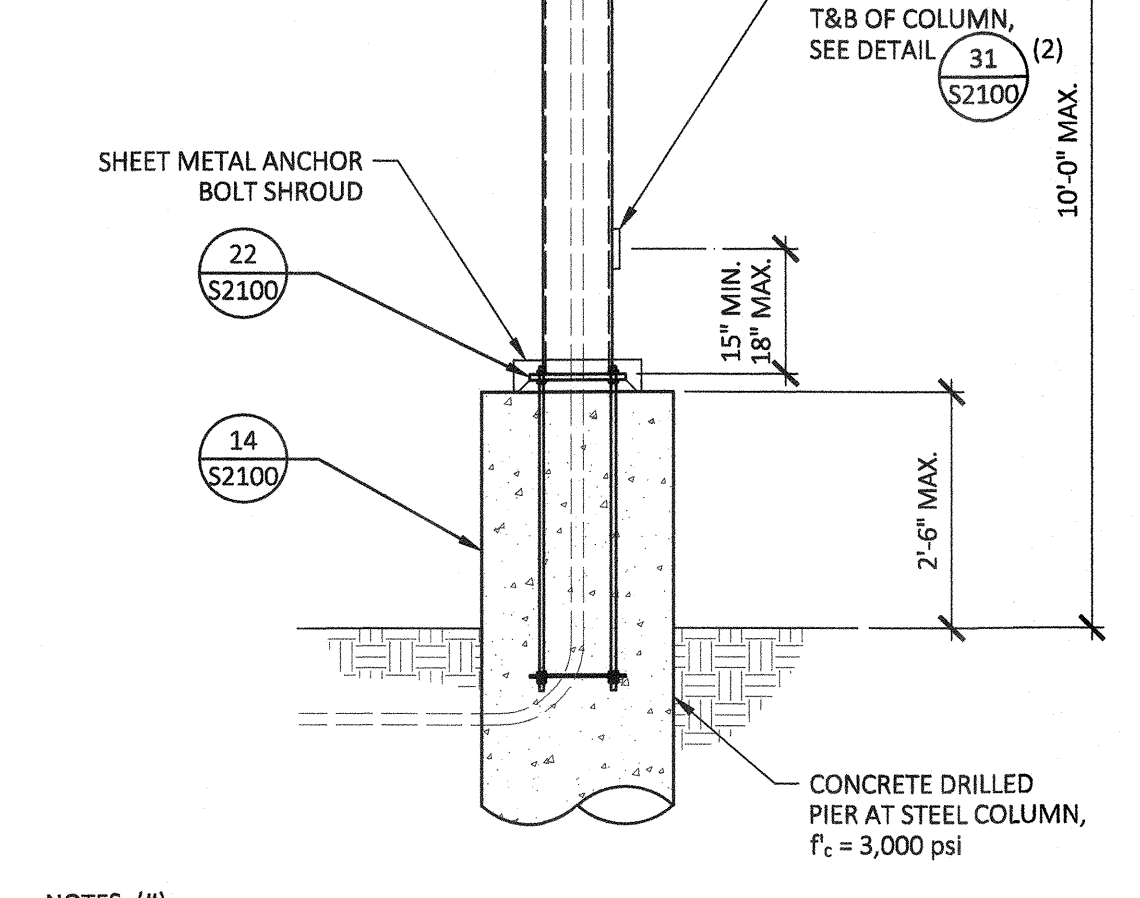
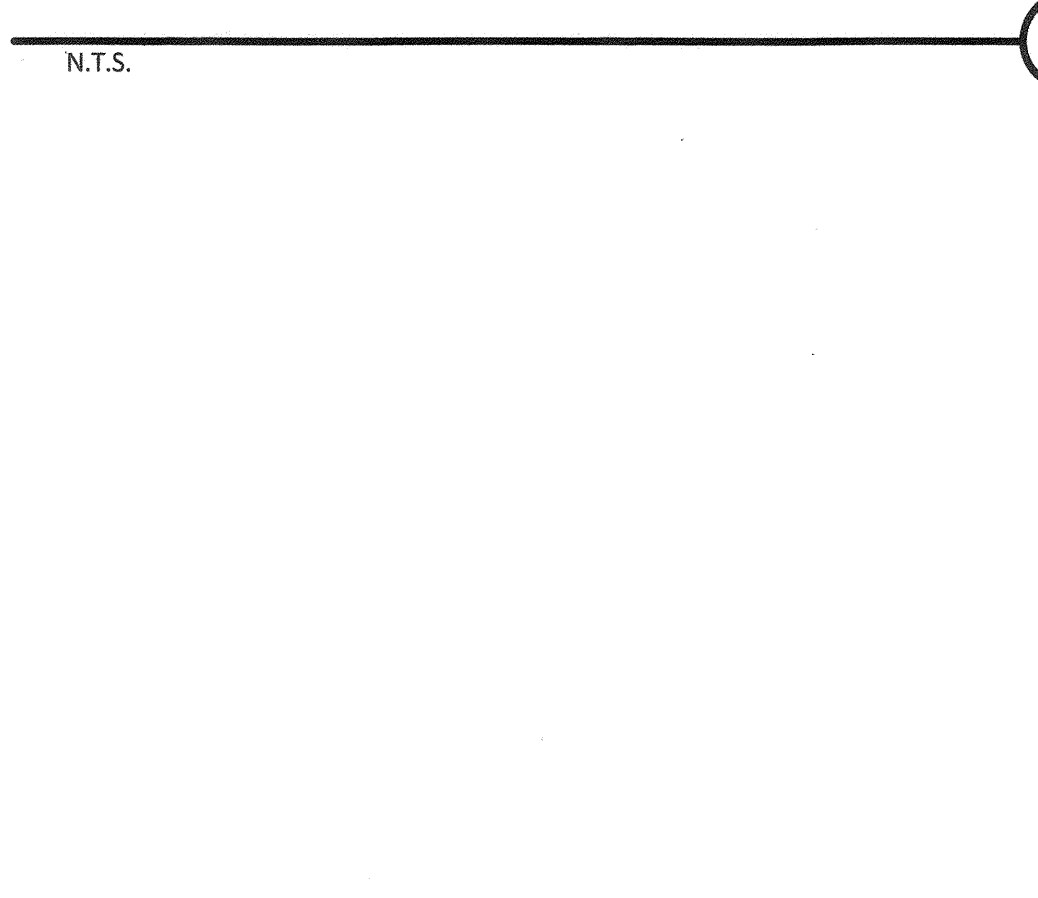
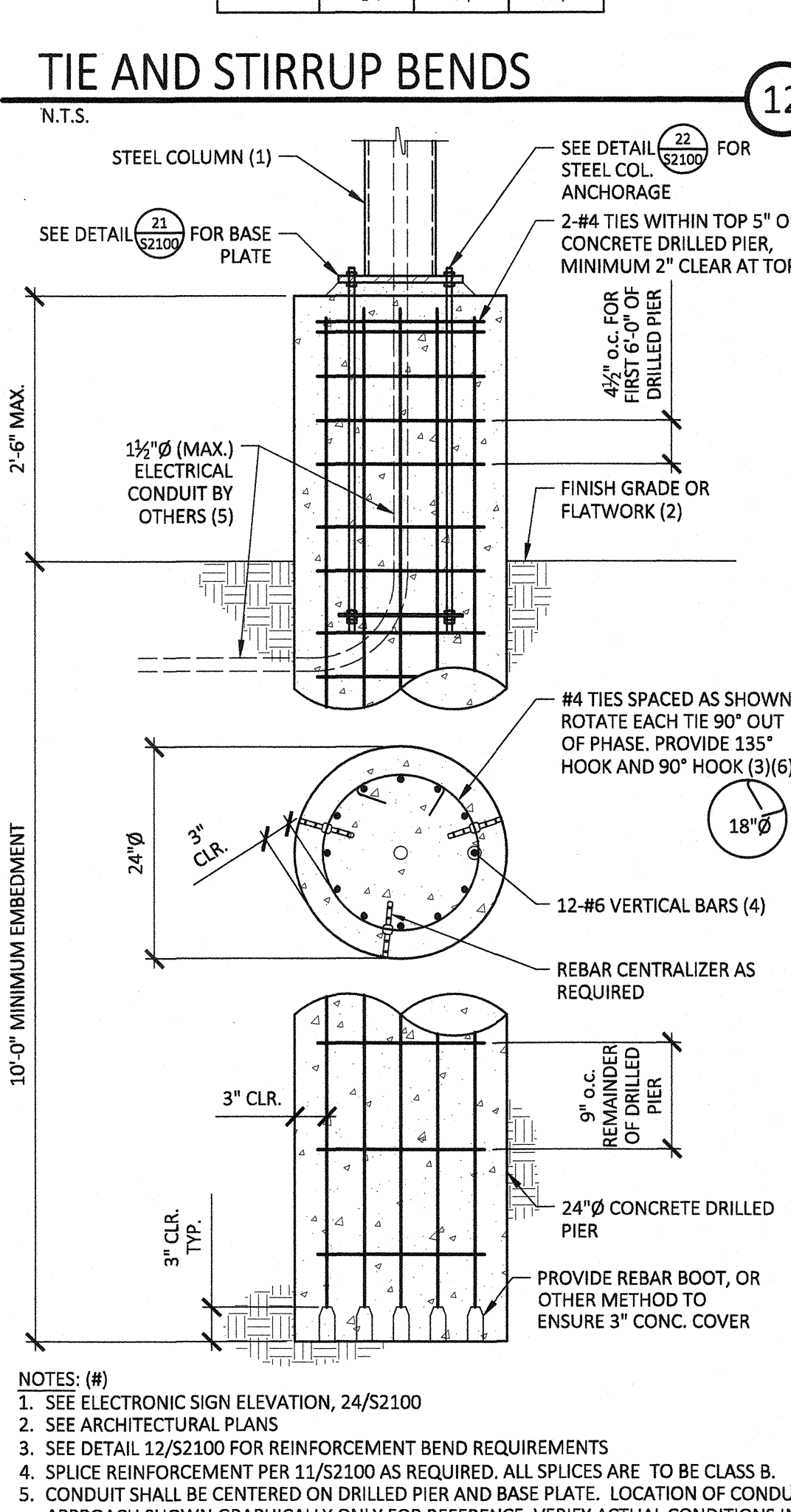
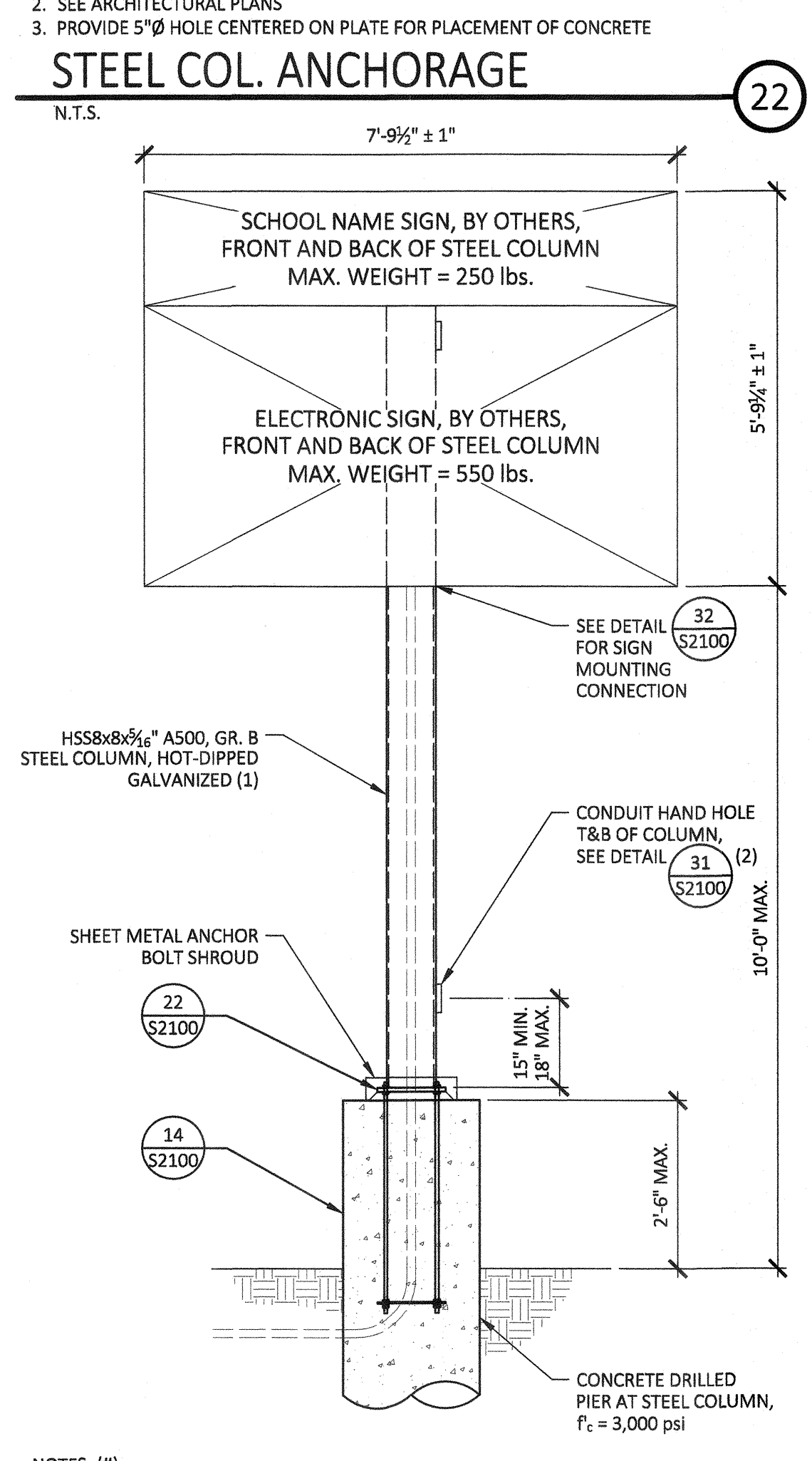
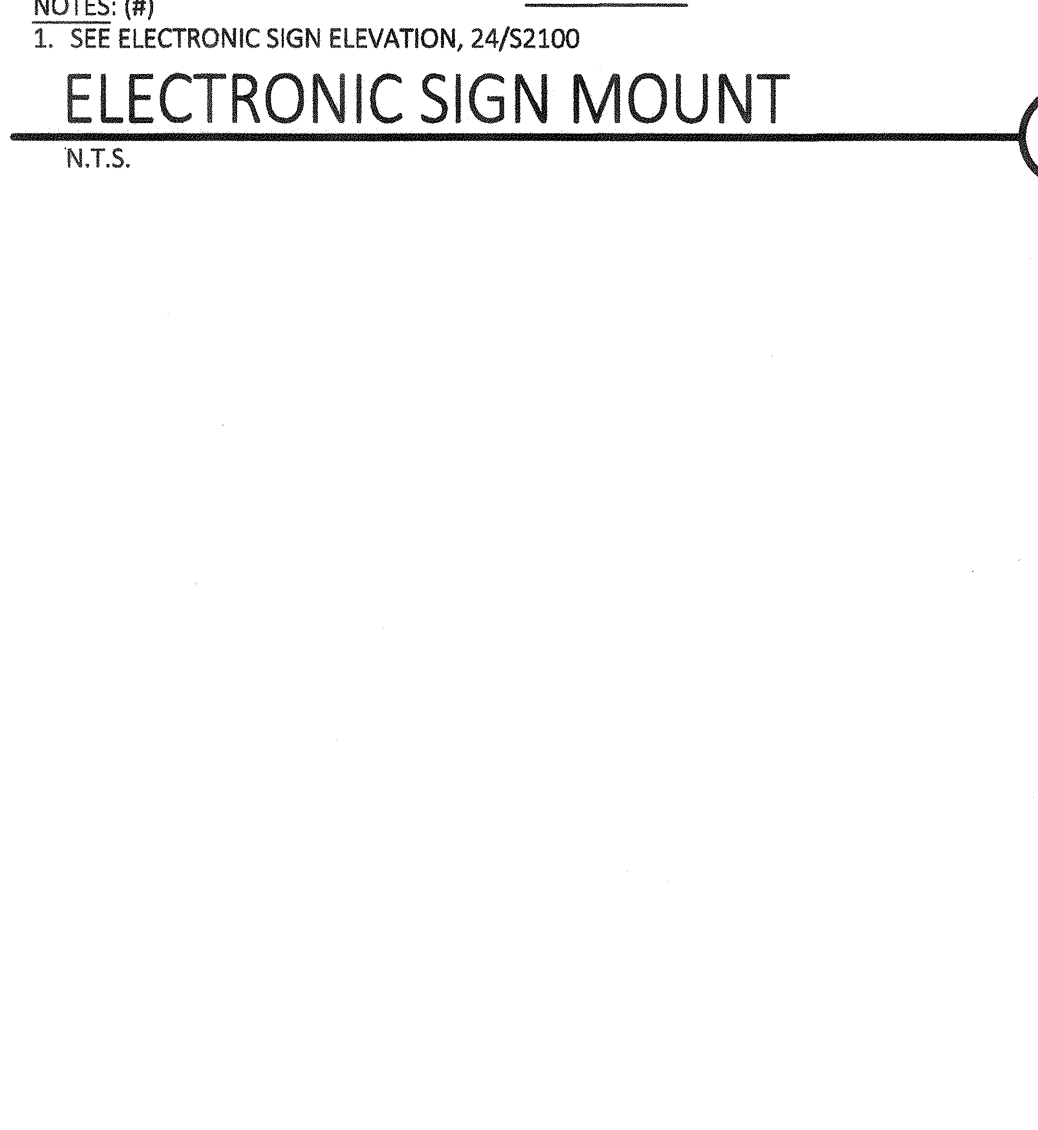
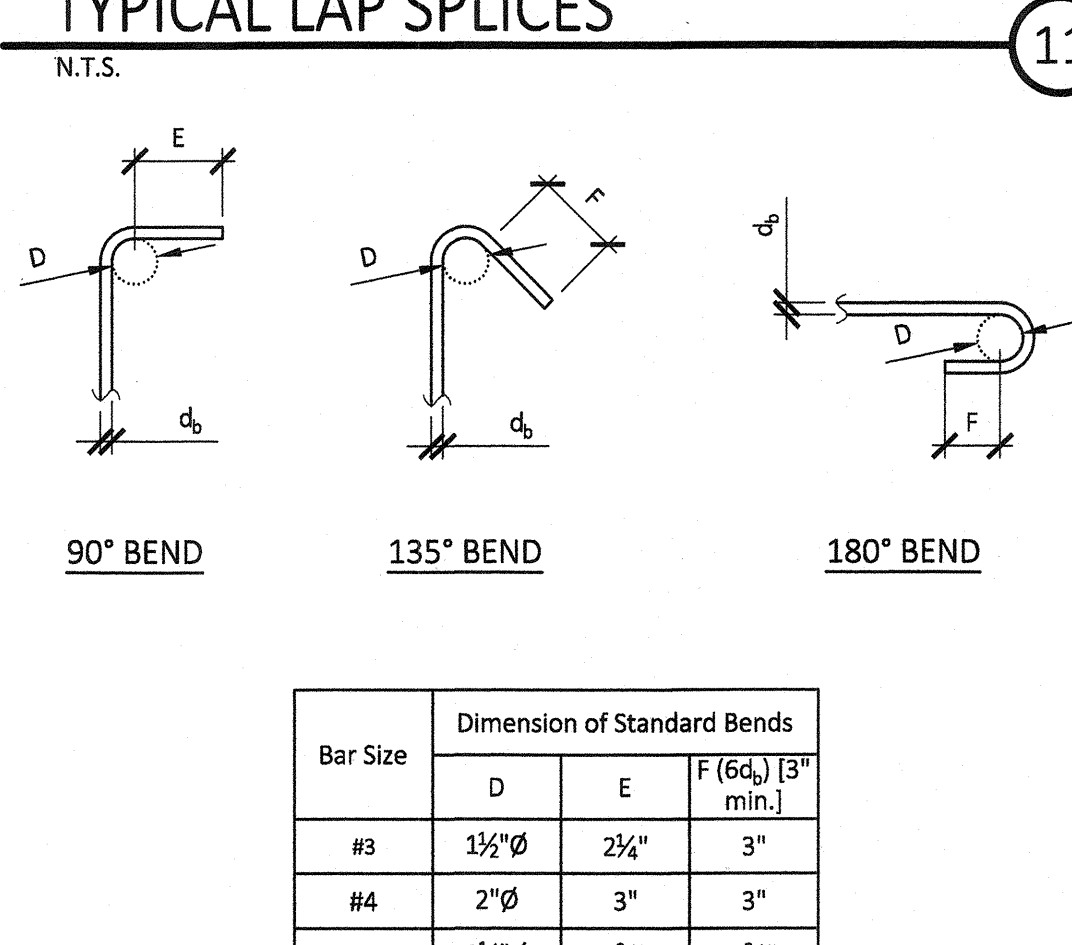
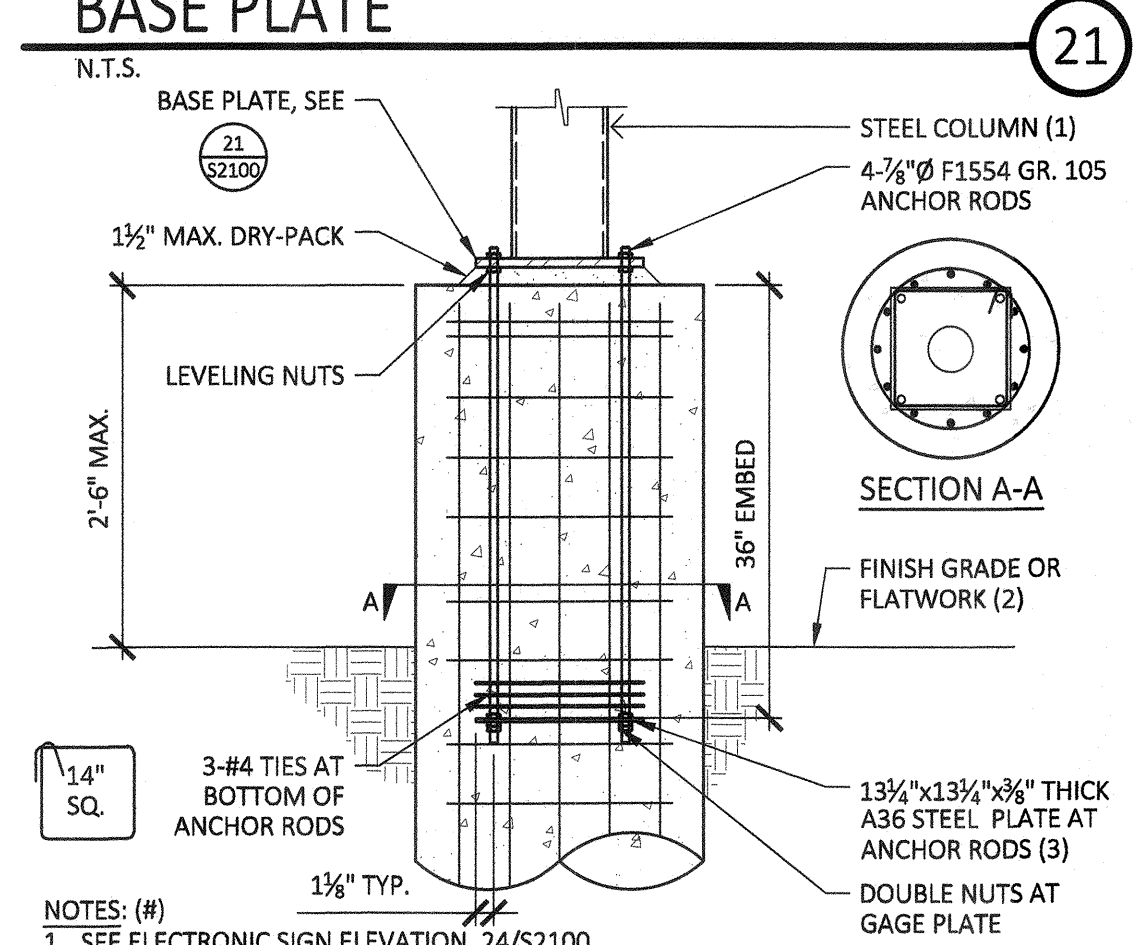
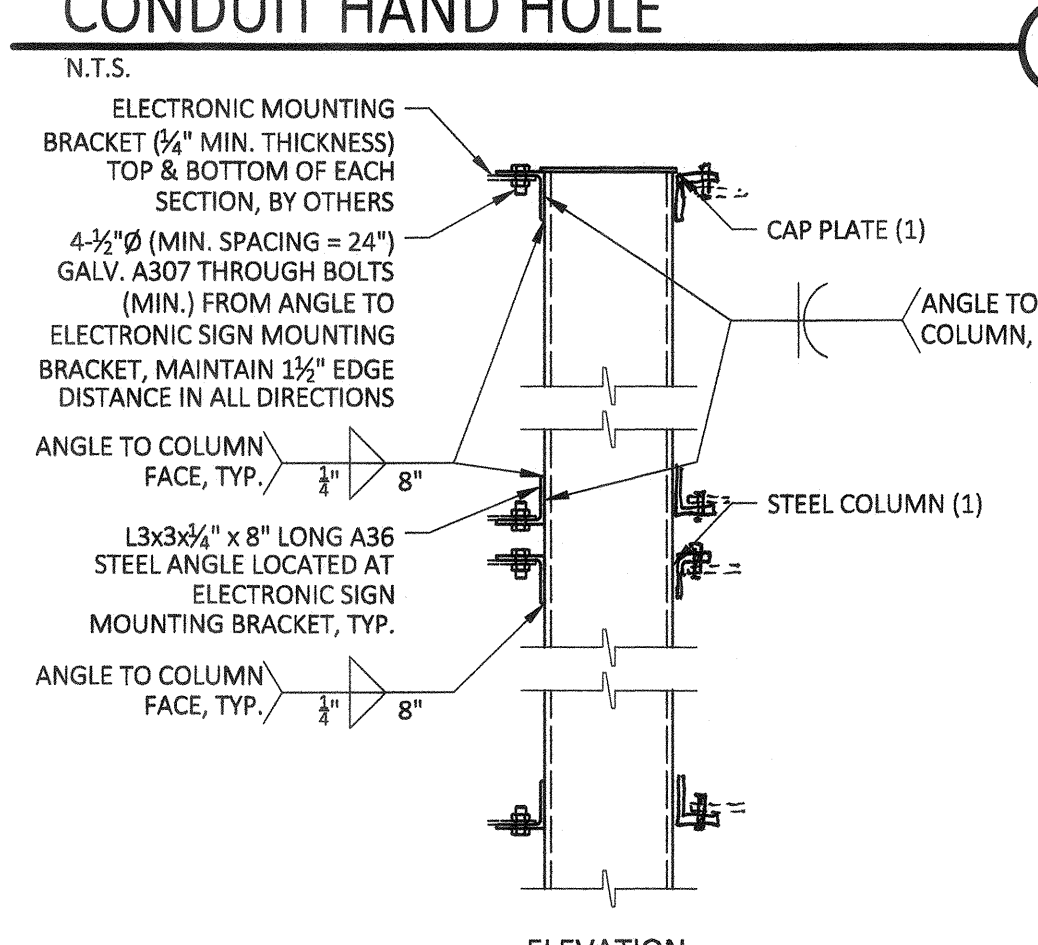
S2100



TYPICAL LAP SPLICES

Bar Size	Concrete Reinforcing Splices (1)(2)	
	Class B (3) Splice	f _y (Min.)
#3	21"	40 ksi
#4	27"	40 ksi
#5	51"	60 ksi
#6	61"	60 ksi
#7	71"	60 ksi
#8	82"	60 ksi
#9	92"	60 ksi
#10	103"	60 ksi

NOTES: (#)
 1. LAP LENGTHS LISTED APPLY TO ALL LOCATIONS: VERTICAL, HORIZONTAL, TOP, BOTTOM, AND SITE WALLS.
 2. WHERE BARS OF A DIFFERENT SIZE ARE LAPPED, THE LAP LENGTH SHALL BE THE LENGTH REQUIRED BY THE LARGER BAR.
 3. ALL SPLICES SHALL BE CONSIDERED CLASS B UNLESS SPECIFICALLY NOTED OTHERWISE



CONSTRUCTION DOCUMENTS