

1000-GENERAL NOTES

- REFER TO ELECTRICAL DRAWINGS FOR UNDERGROUND UTILITIES.
- PRIOR TO ANY UNDERGROUND SITE WORK, VERIFY LOCATION OF ALL EXISTING UTILITIES WITH UNDERGROUND SERVICE ALERT (U.S.A.).
- CONTRACTOR SHALL REPLACE IN KIND ANY EXISTING IMPROVEMENTS DAMAGED BY DEMOLITION OR CONSTRUCTION ACTIVITIES.

1100 - KEYNOTES

1101 (E) CONCRETE/A.C. WALK TO REMAIN.
1114 PROVIDE POLE MOUNTED MARQUEE SIGN. VERIFY WITH DISTRICT FOR EXACT LOCATION AND ORIENTATION. SEE STRUCTURAL DRAWINGS FOR ADDITIONAL INFORMATION.

LEGEND

--- PROPERTY LINE
 -x-x-x-x-x- (E) CHAIN LINK FENCE 6'-0" HIGH U.O.N.
 -o-o-o-o-o- (E) ORNAMENTAL FENCE
 □ EXISTING TURF TO REMAIN.

PRIME CONSULTANT

IBI ARCHITECTURE PLANNING
 San Luis Obispo
 4119 Broad Street, Suite 210
 San Luis Obispo, CA 93401
 805.546.0433 fax: 805.546.0504

SEAL

COPYRIGHT: Any reproduction or distribution for any purpose other than authorized by IBI Group is forbidden.
 COPYRIGHT 2017 IBI GROUP

REVISIONS			
NO.	DATE	APPRD.	DESCRIPTION

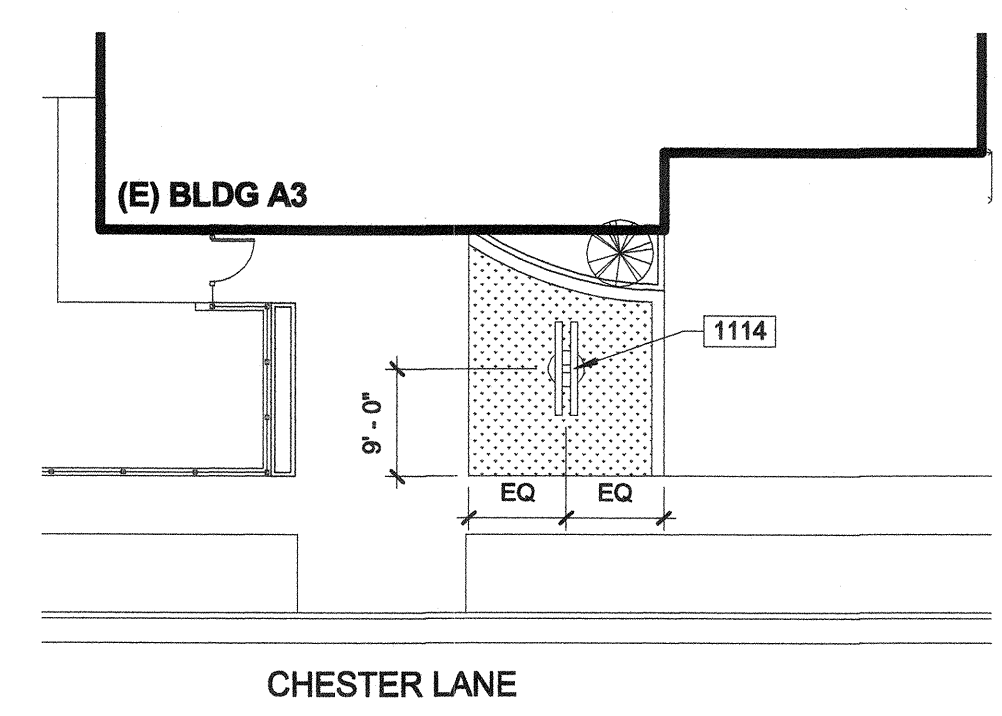
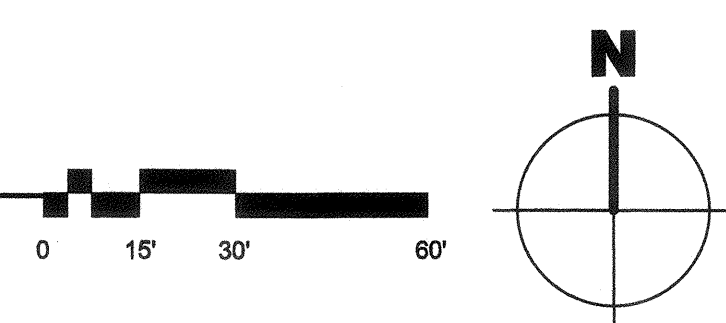
CONSULTANT

AGENCY INFORMATION:

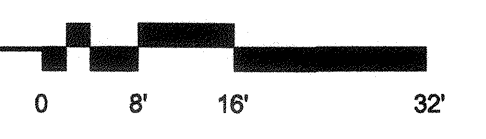
AGENCY TRACKING NO. 63321-274
 FILE NO. 15-6

IDENTIFICATION STAMP
 DIV. OF THE STATE ARCHITECT
 OFFICE OF REGULATION SERVICES
 03-118196
 AC. F.E. PLS. SS. CR
 DATE OCT 25 2017

1 OVERALL SITE PLAN - WILLIAM PENN ELEMENTARY SCHOOL



2 PARTIAL SITE PLAN



optec DISPLAYS, INC. 1700 S. De Soto PL. Ontario, CA 91761 www.optec.com 1.800.878.1668

Date: 06/08/2017

Rusty Taylor
 Sign Solutions of California
 332 E. Norris Rd Suite 7
 Bakersfield CA 93308

Projects:

Evergreen Elementary - 2600 Rosa Marie Dr., Bakersfield, CA
 Stella Hills Elementary - 3800 Jewett Ave., Bakersfield, CA
 Thorner Elementary - 5601 Thorner St., Bakersfield, CA
 Roosevelt Elementary - 2324 Verde St., Bakersfield, CA
 Harris Elementary - 4110 Gamsey Ln., Bakersfield, CA
 William Penn Elementary - 2201 San Emidio St., Bakersfield, CA

The EMC Boards sold for this project are designed and built to 2016 CBC at 150mph w/ 3 sec. gust wind load with an Exposure C.

Sincerely

George Lin
 Optec Displays Inc.
 1700 S De Soto PL
 Ontario, CA 91761

BAKERSFIELD CITY SCHOOL DISTRICT

WILLIAM PENN E.S. - MARQUEE SIGN
 2201 SAN EMIDIO ST., BAKERSFIELD, CA 93304

OPSC or OSHPD PROJ. NO:

PROJECT NO:	17146.000
DRAWN BY:	rRr
CHKD BY:	RM
ISSUE DATE:	10/25/2017

SHEET TITLE

OVERALL & PARTIAL SITE PLANS

SHEET NUMBER

A1100

CONSTRUCTION DOCUMENTS

PLOT DATE: 10/17/2017 10:38:41 AM C:\Users\Ruben.Ruiz\Documents\REV172016\ATM_2017-05-23_WILLIAM PENN-V2016_Ruben.Ruiz.rvt