

Structural Engineer's Seal
Mechanical Engineer's Seal
Architect's Seal

STATE OF CALIFORNIA
REGISTERED PROFESSIONAL ARCHITECT
No. 5393
S. Y. MISHRA
02.08.99

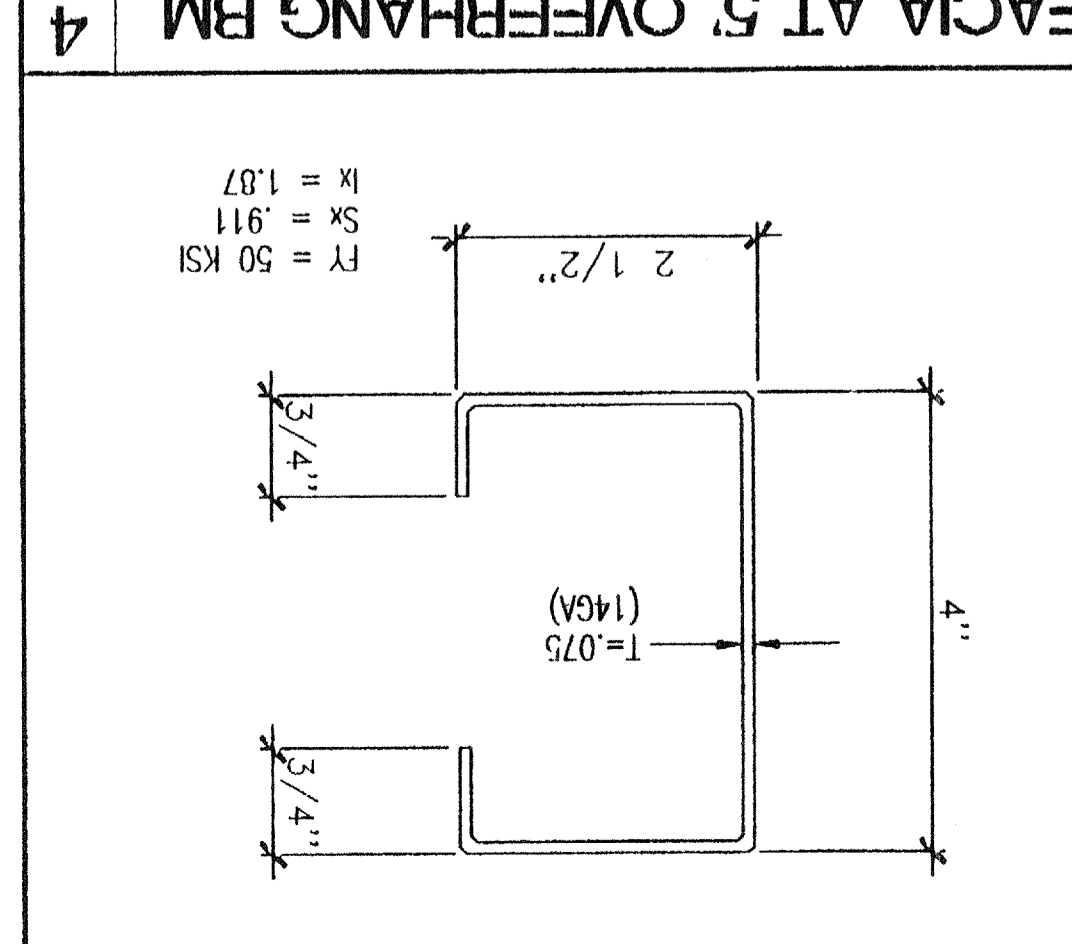
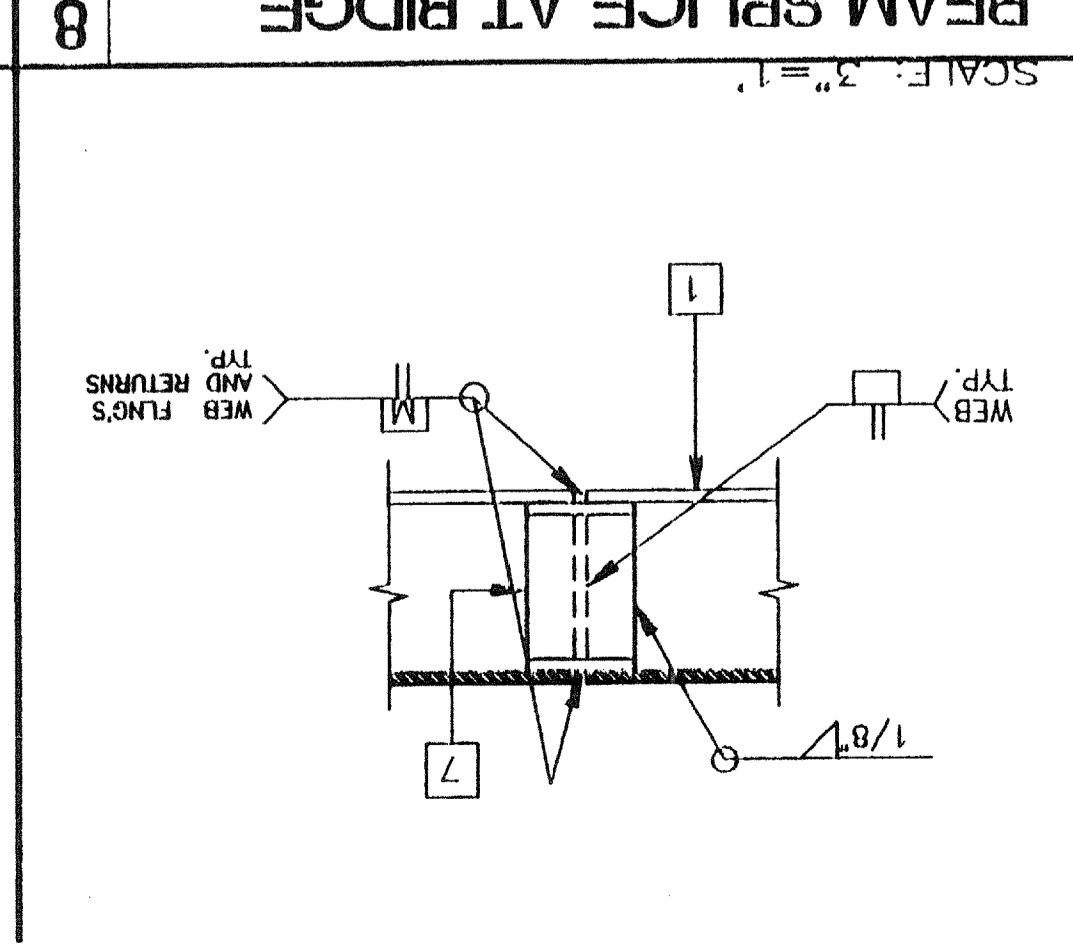
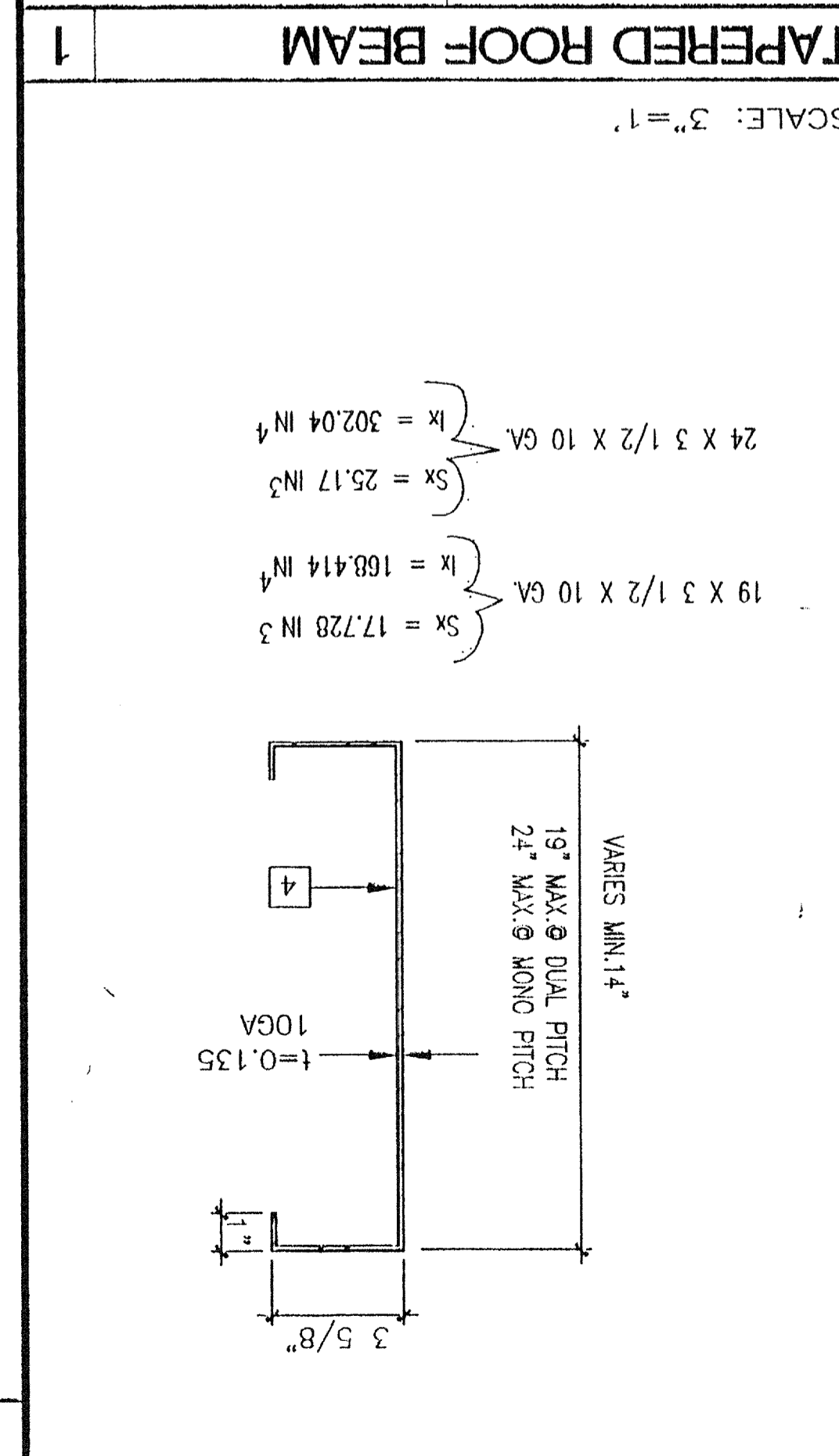
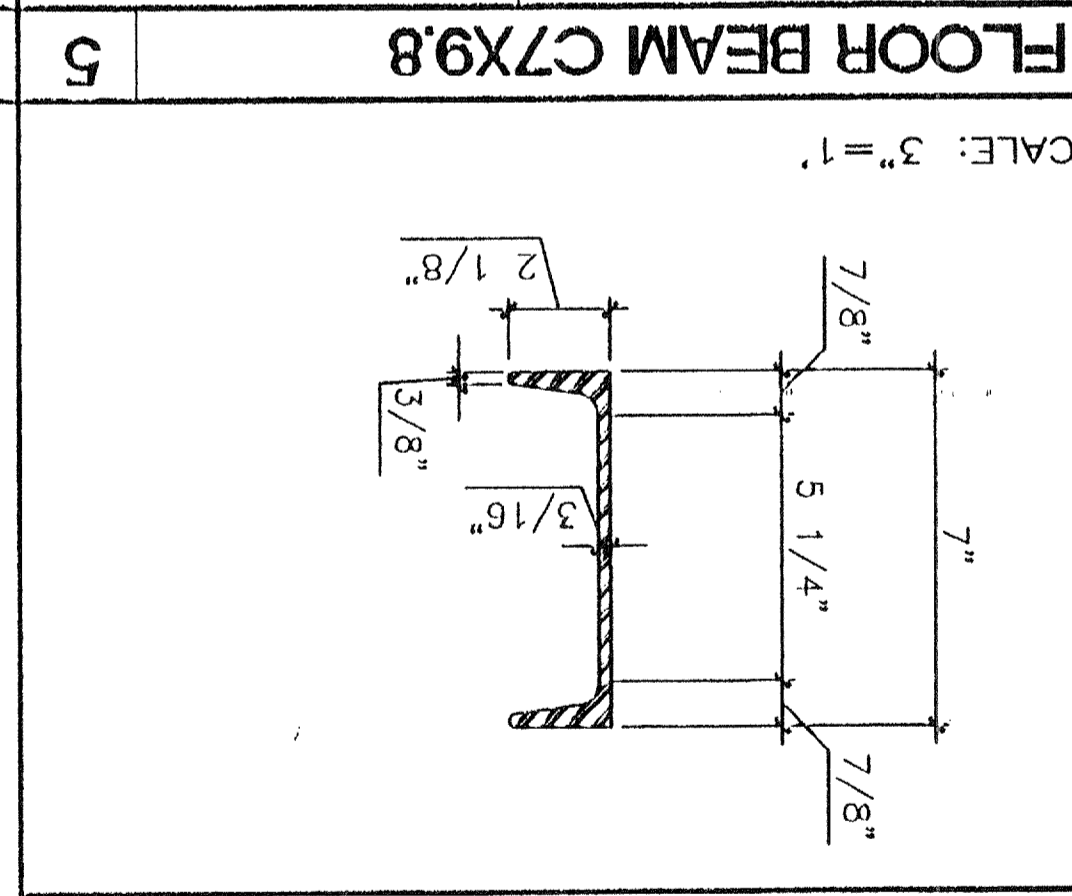
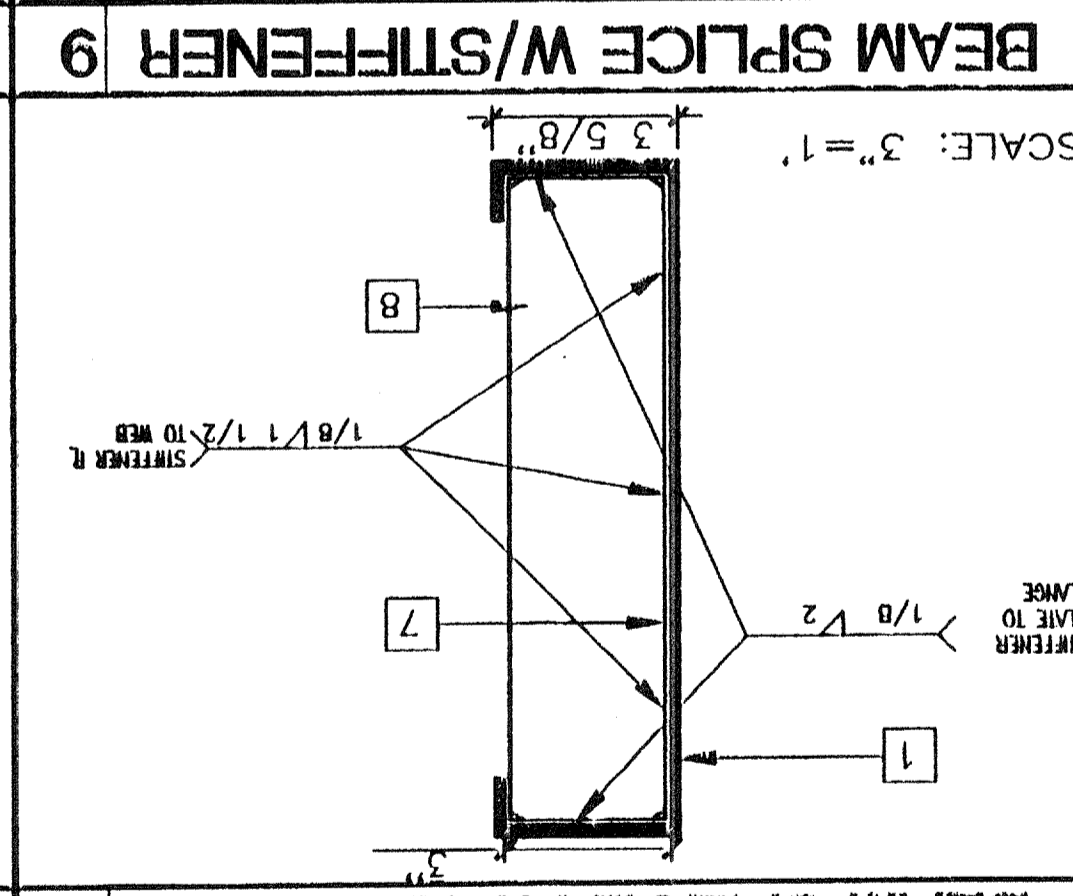
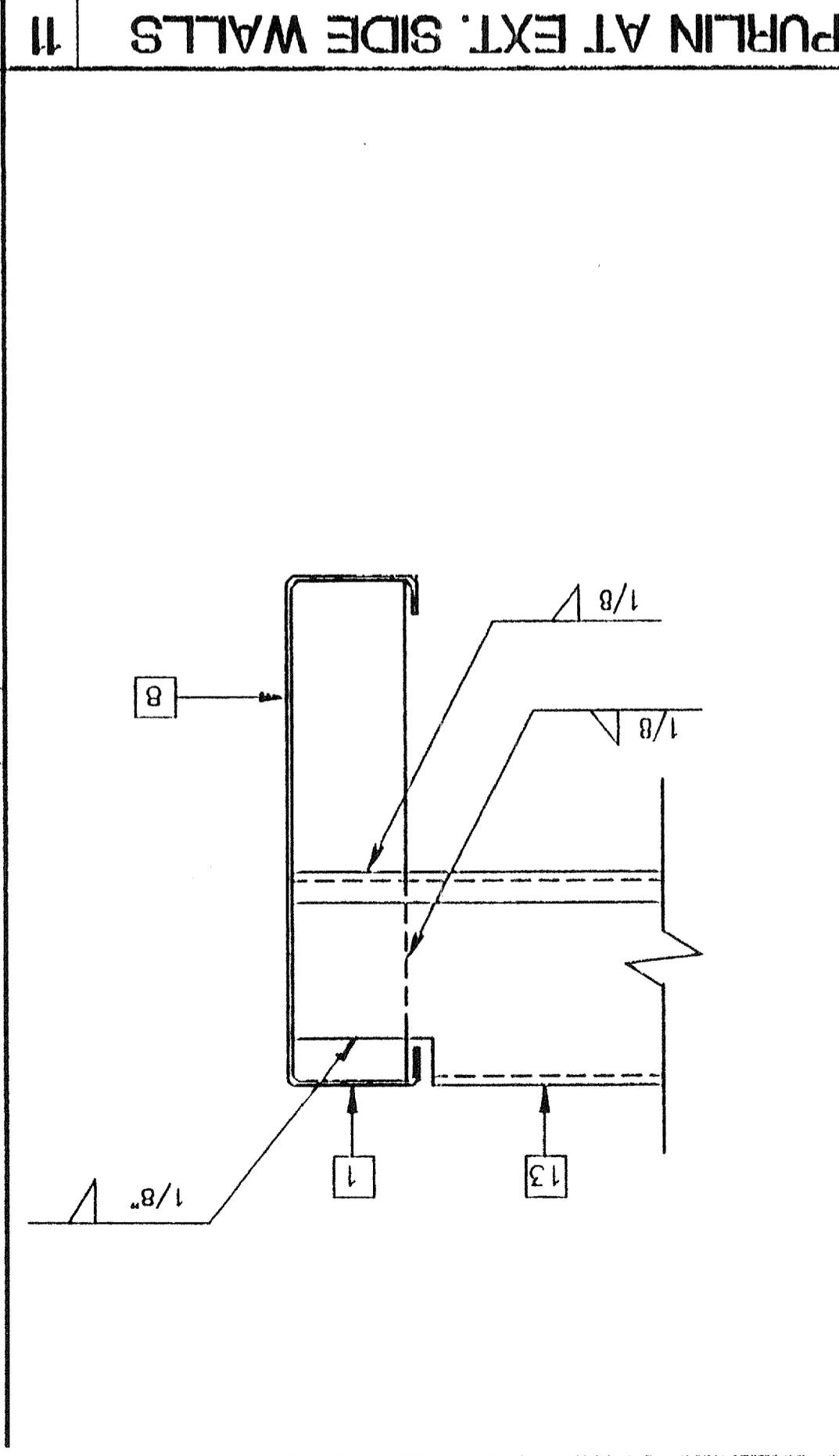
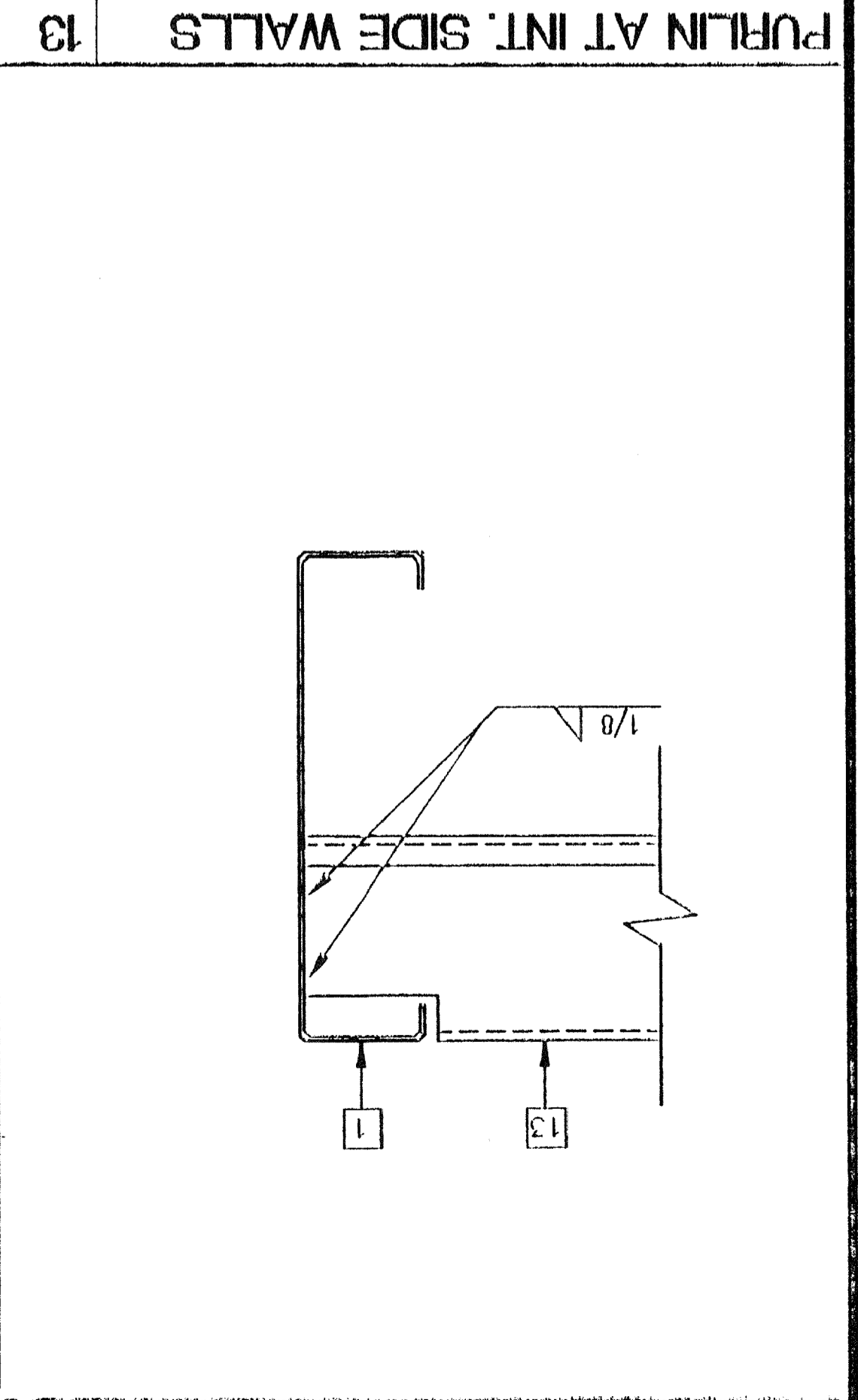
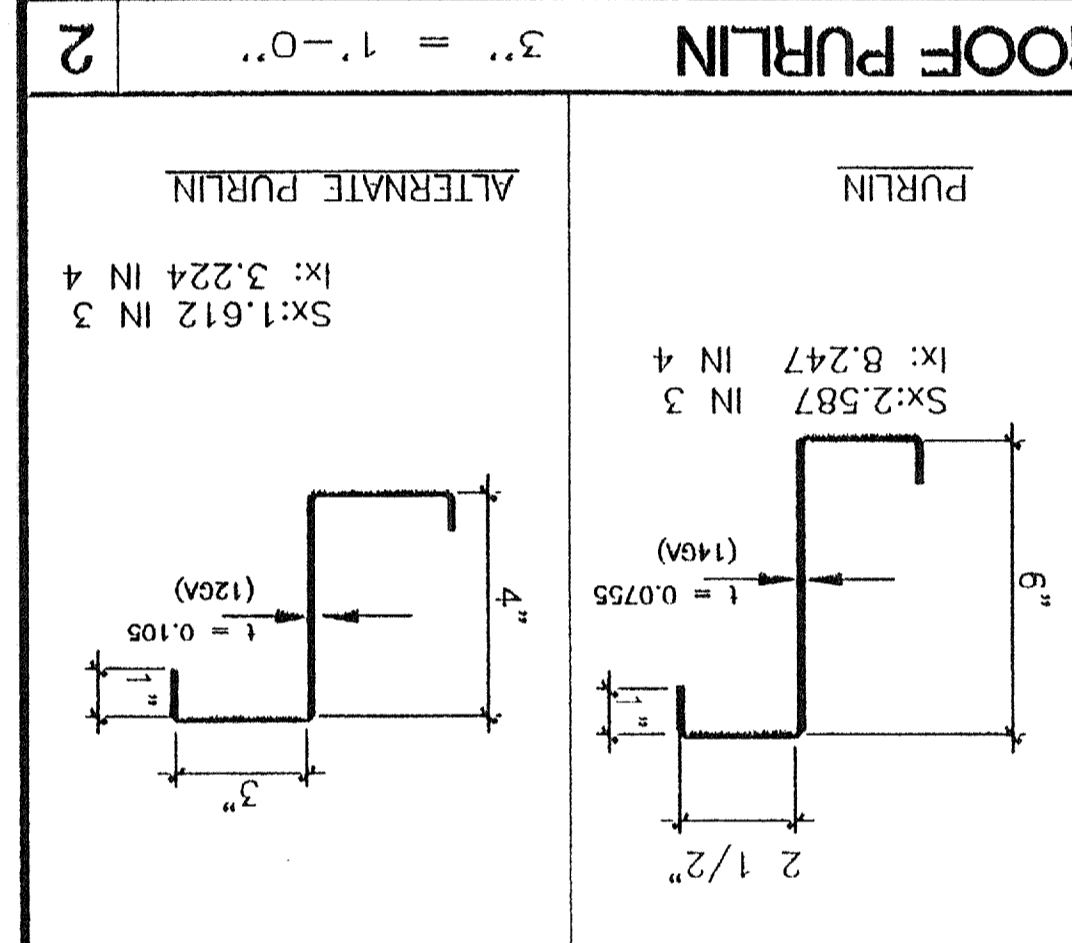
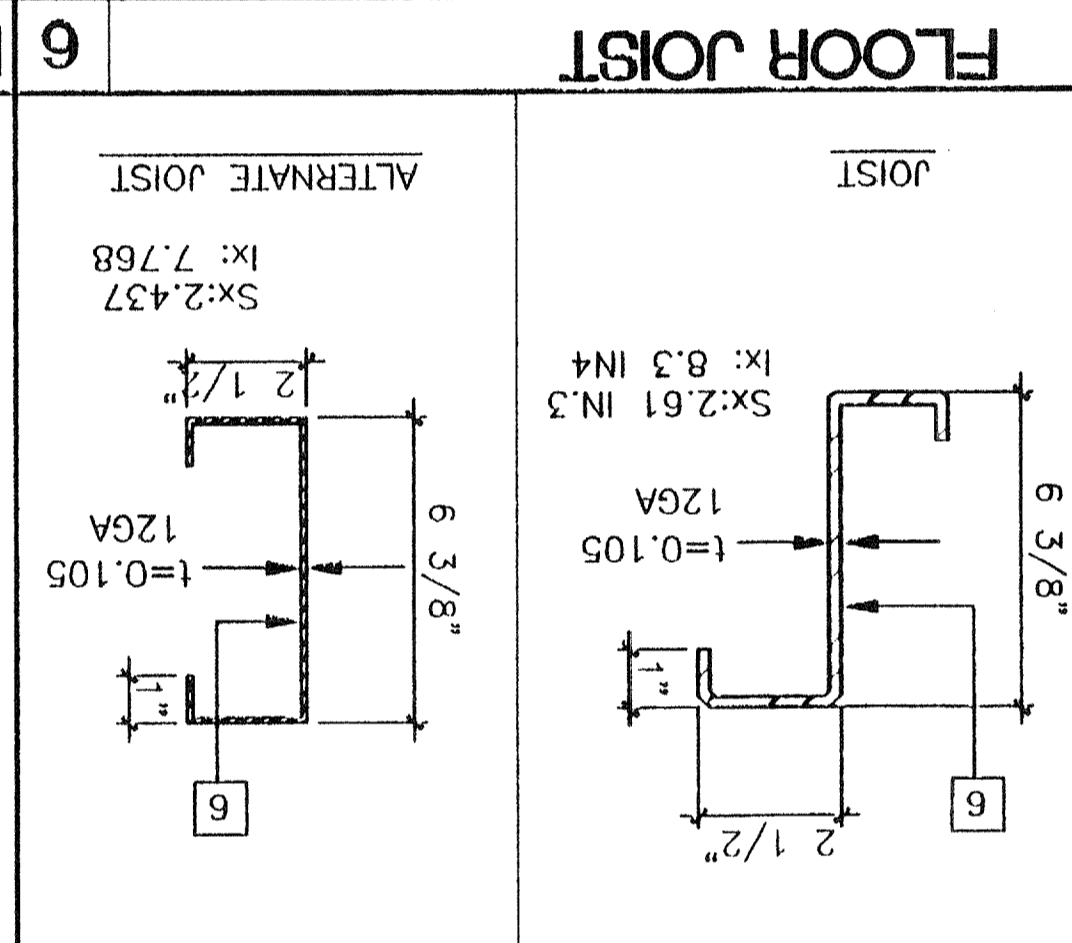
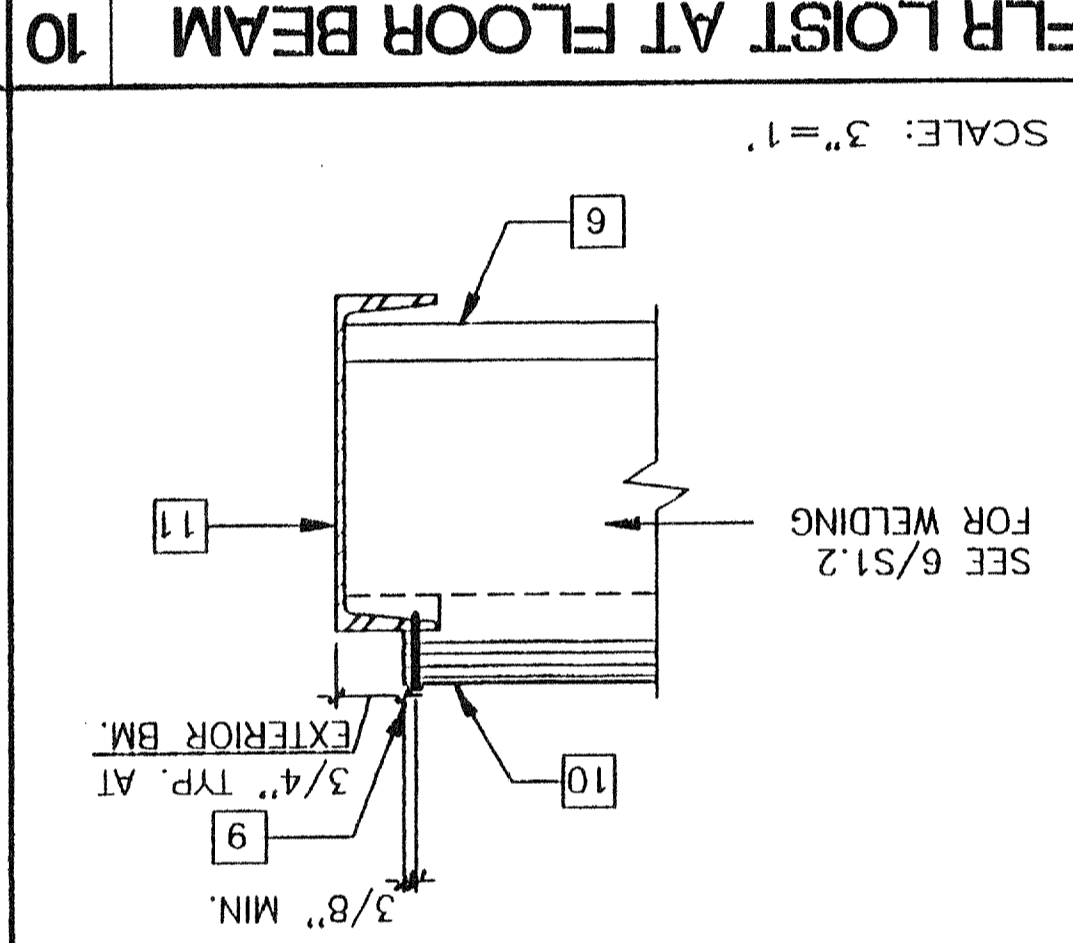
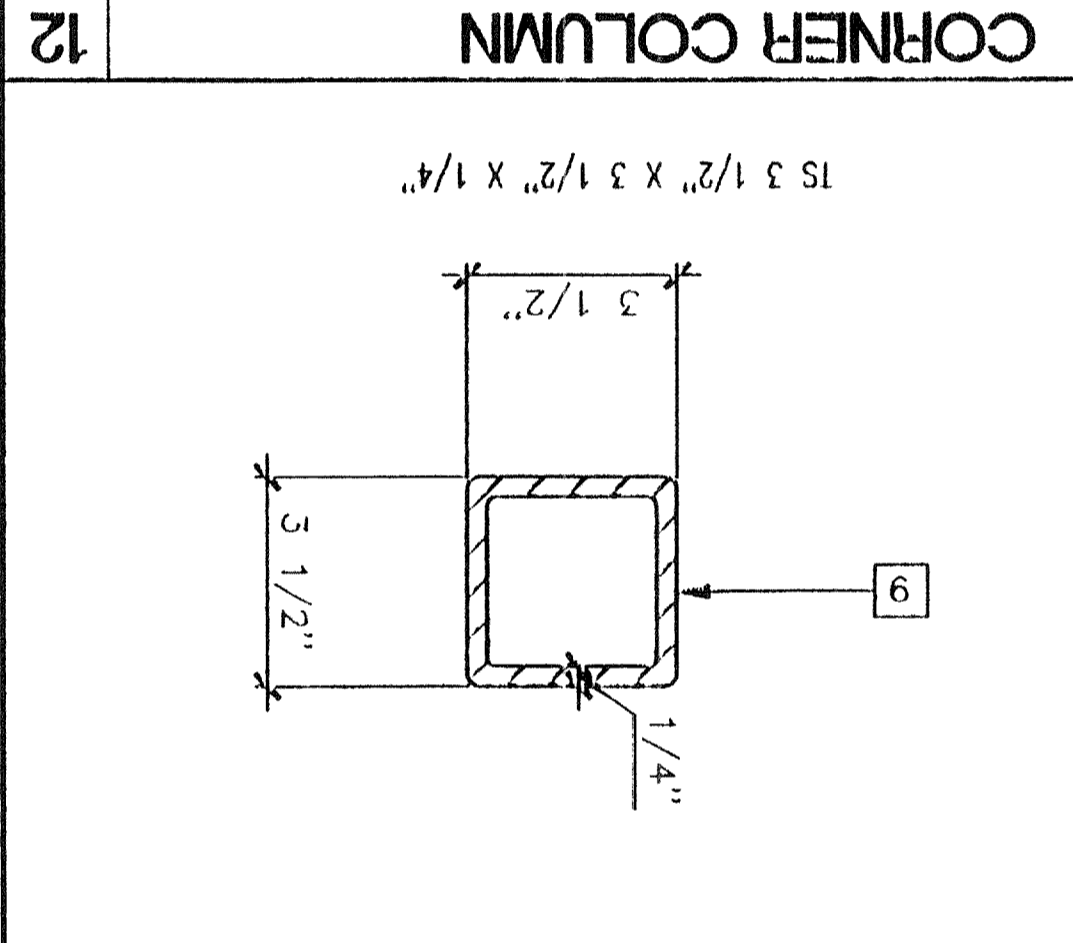
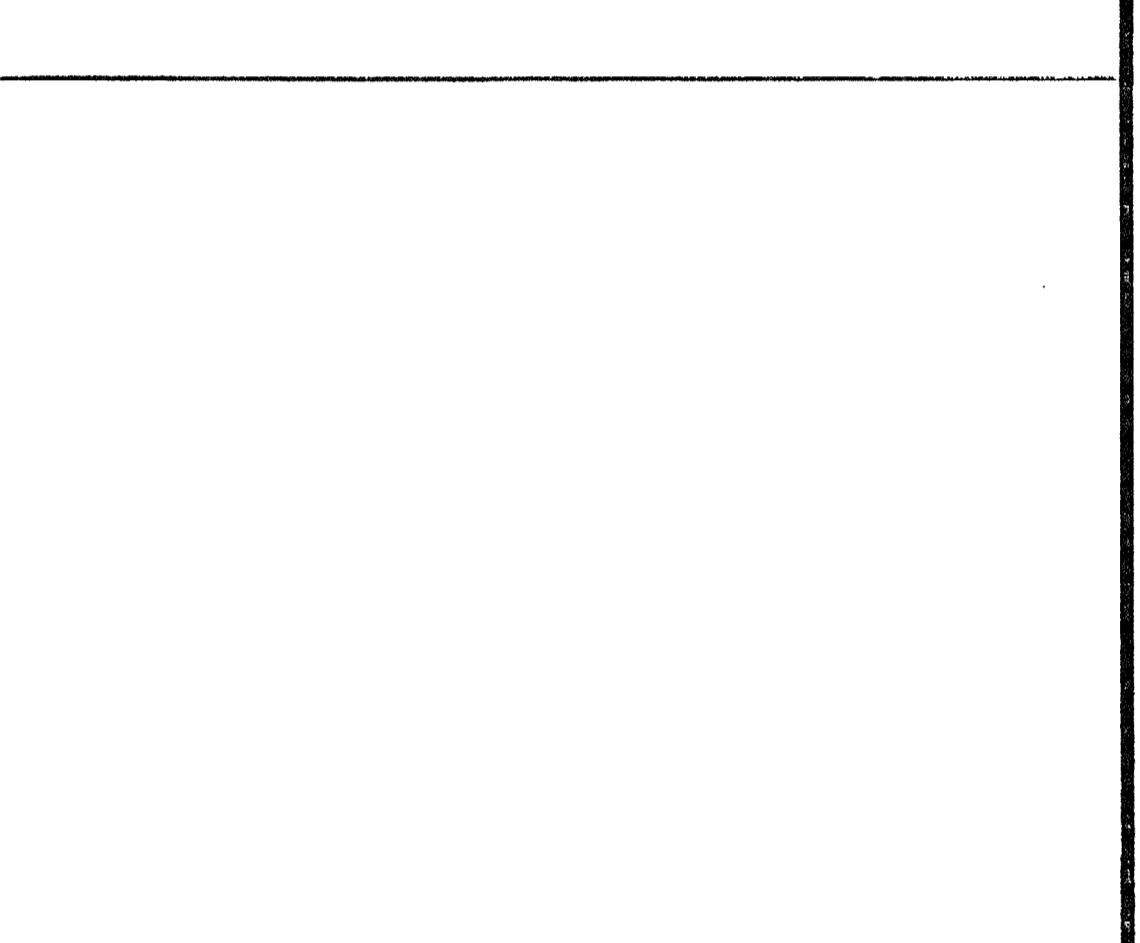
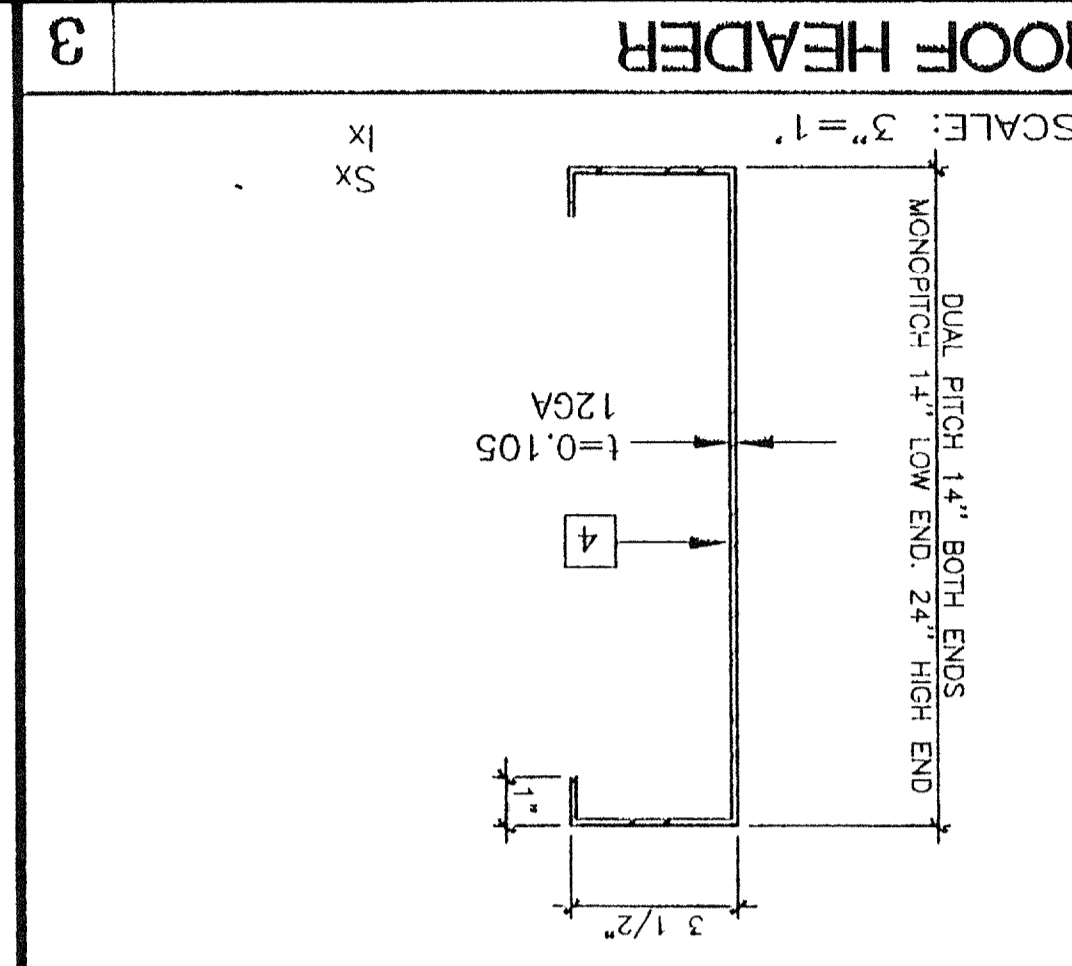
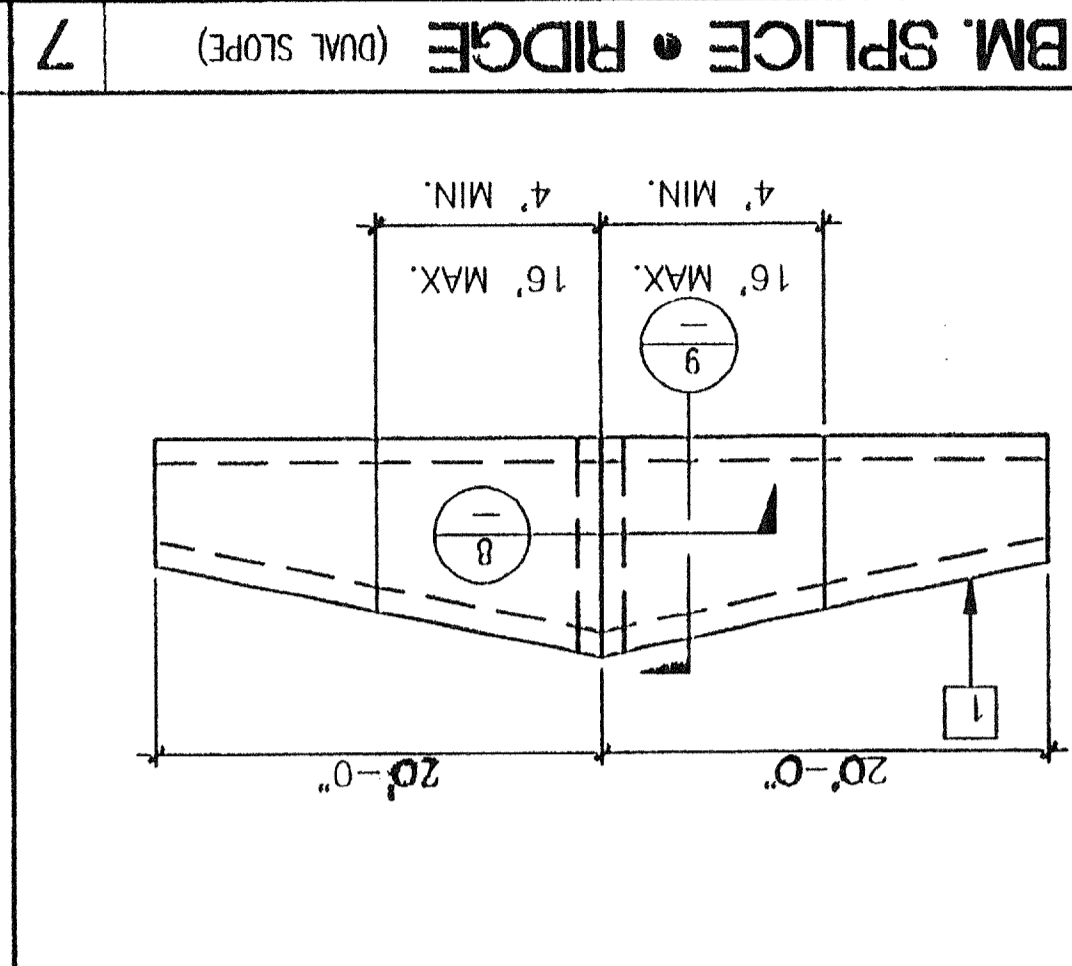
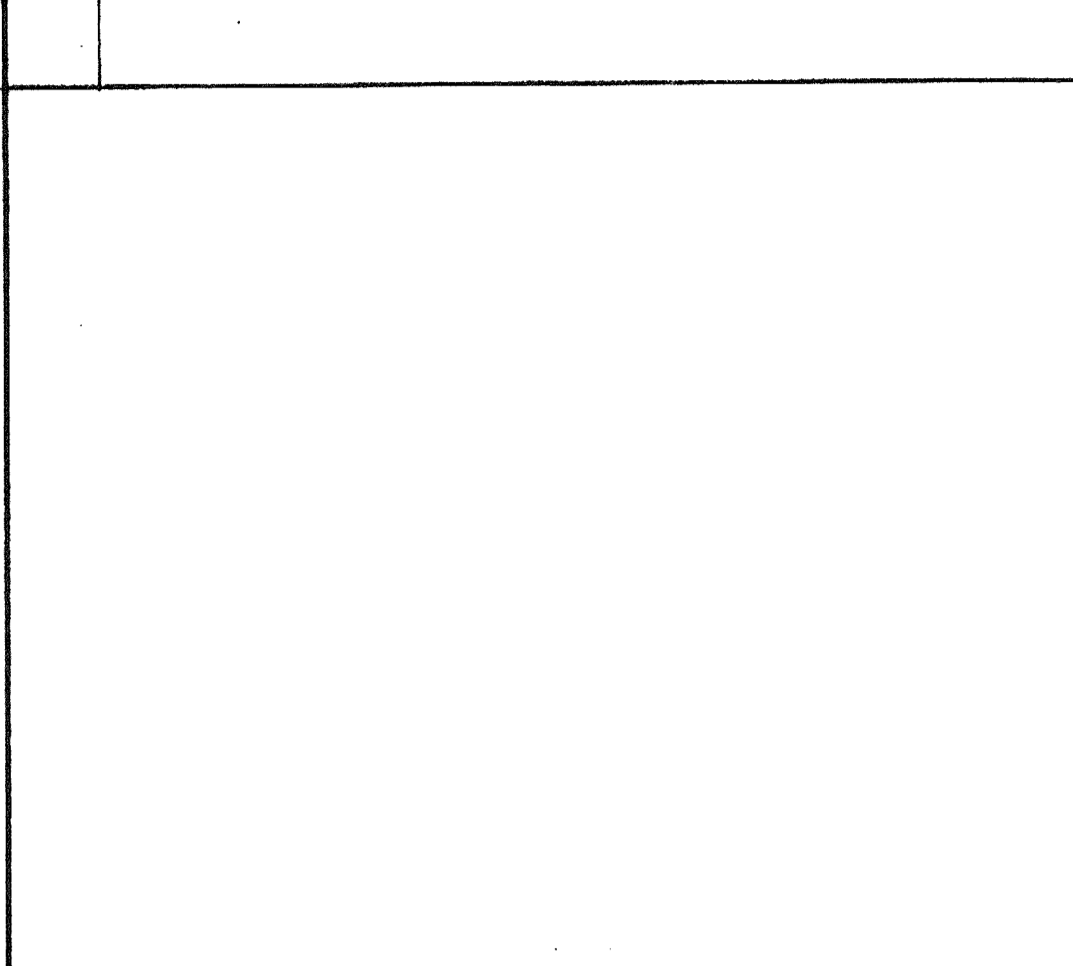
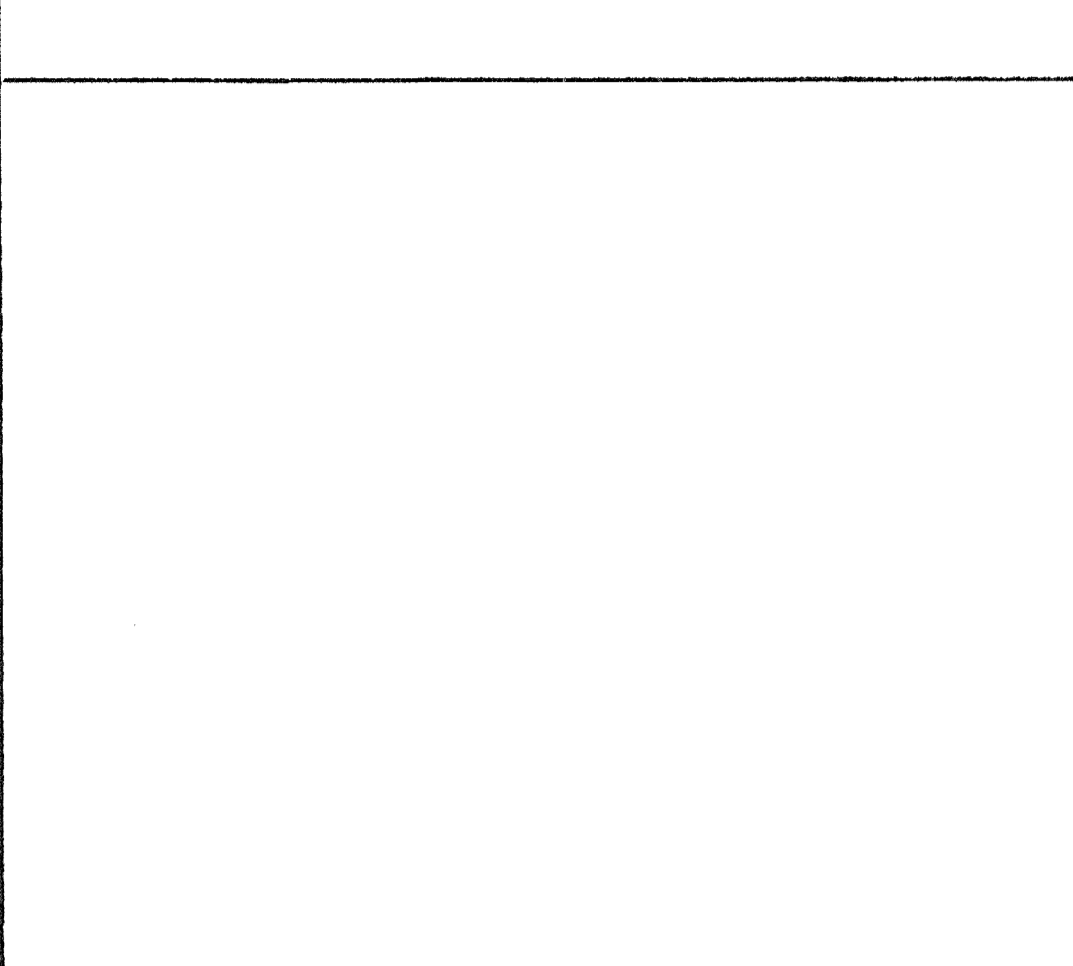
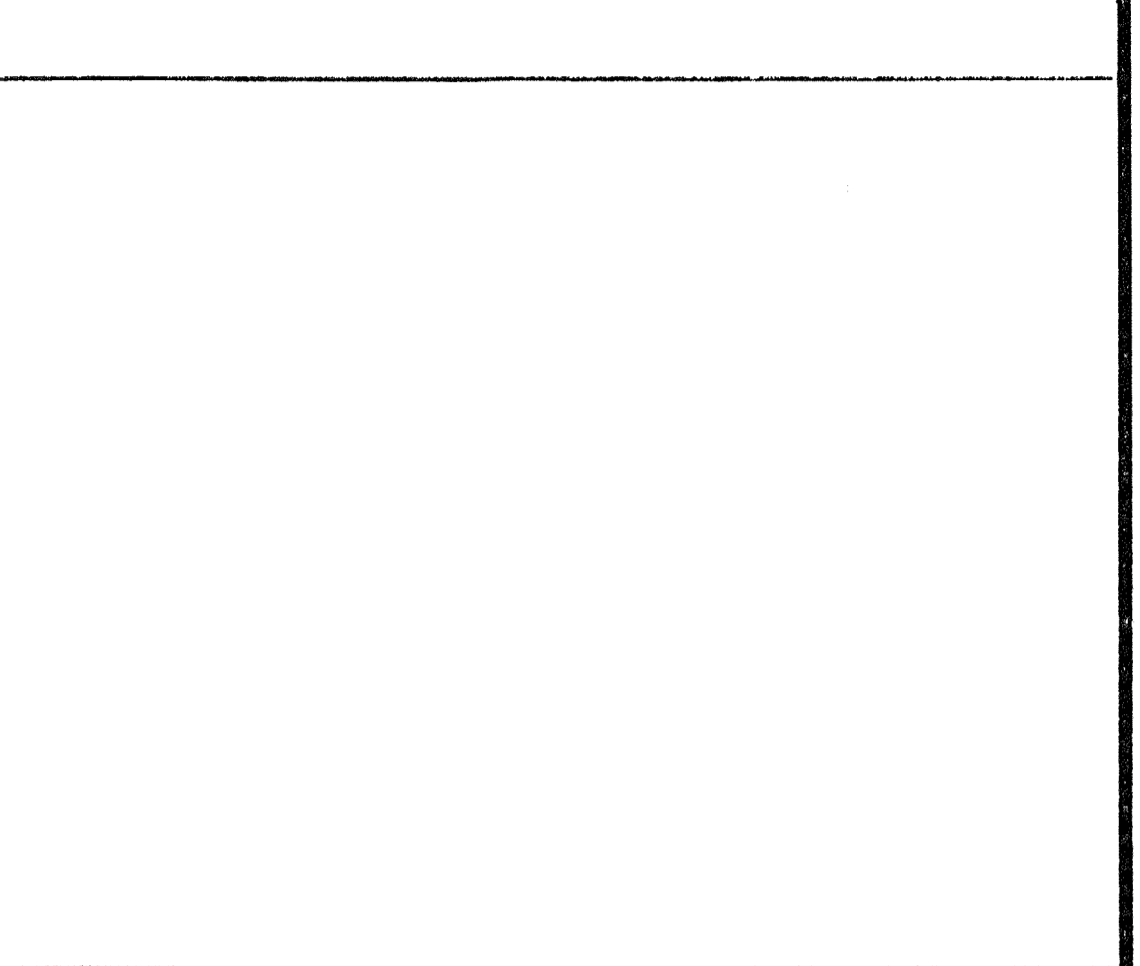
PC-270
DIVISION STAMP
OFFICE OF THE STATE ARCHITECT
OFFICE OF REGULATION SERVICES

REVISED
DATE: FEB 19 1999
AC: FLS
SS

MODTECH INC.
2830 BARRETT AVENUE
PERRIS, CALIF. 92572
PH (909) 943-4014
FAX (909) 940-0427

STRUCTURAL DETAILS
PROJECT NUMBER: MODTECH, INC. 1999

S21
MODTECH Index No.
PROJECT NO. S21
DRAWN BY: R.L.T.
CHECKED BY: S.S.
DATE: 7-99



- KEY NOTES
- 1 10GA. TAPERED RF. BM. SEE 7/S2.1 & 1/S2.1
 - 2 NOT USED
 - 3 TS 3 1/2"x3 1/2"x1/4" COLUMN
 - 4 14"x10GA. RF. HDR. SEE 3/S2.1
 - 5 NOT USED
 - 6 FLOOR JOIST SEE 6/S2.1
 - 7 10GA. BENT PLATE BACK-UP
 - 8 STIFFENER @ 3" X 1/4" THK.
 - 9 #10 STMS @ 6" O.C. (SEE S1.0)
 - 10 PLYWOOD FLR. SHEATHING
 - 11 FLOOR BEAM SEE 5/S2.1
 - 12 NOT USED
 - 13 6" X 2 1/2" X 3" X 12GA PURLIN
- ALT: 1" 4" X 3" X 12GA

REVISED
JUL 1 1999
OFFICE OF REGULATION SERVICES
DIVISION STAMP
OFFICE OF THE STATE ARCHITECT
DATE: 04 11 1994
AC: FLS
SS
04 101522
MAX 20 1999