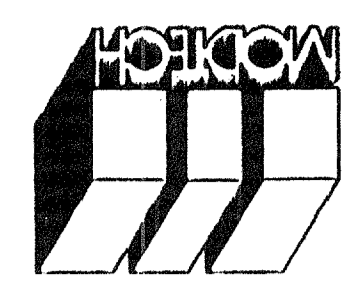


Electrical Engineer's Seal
Mechanical Engineer's Seal
Structural Engineer's Seal
Architect's Seal



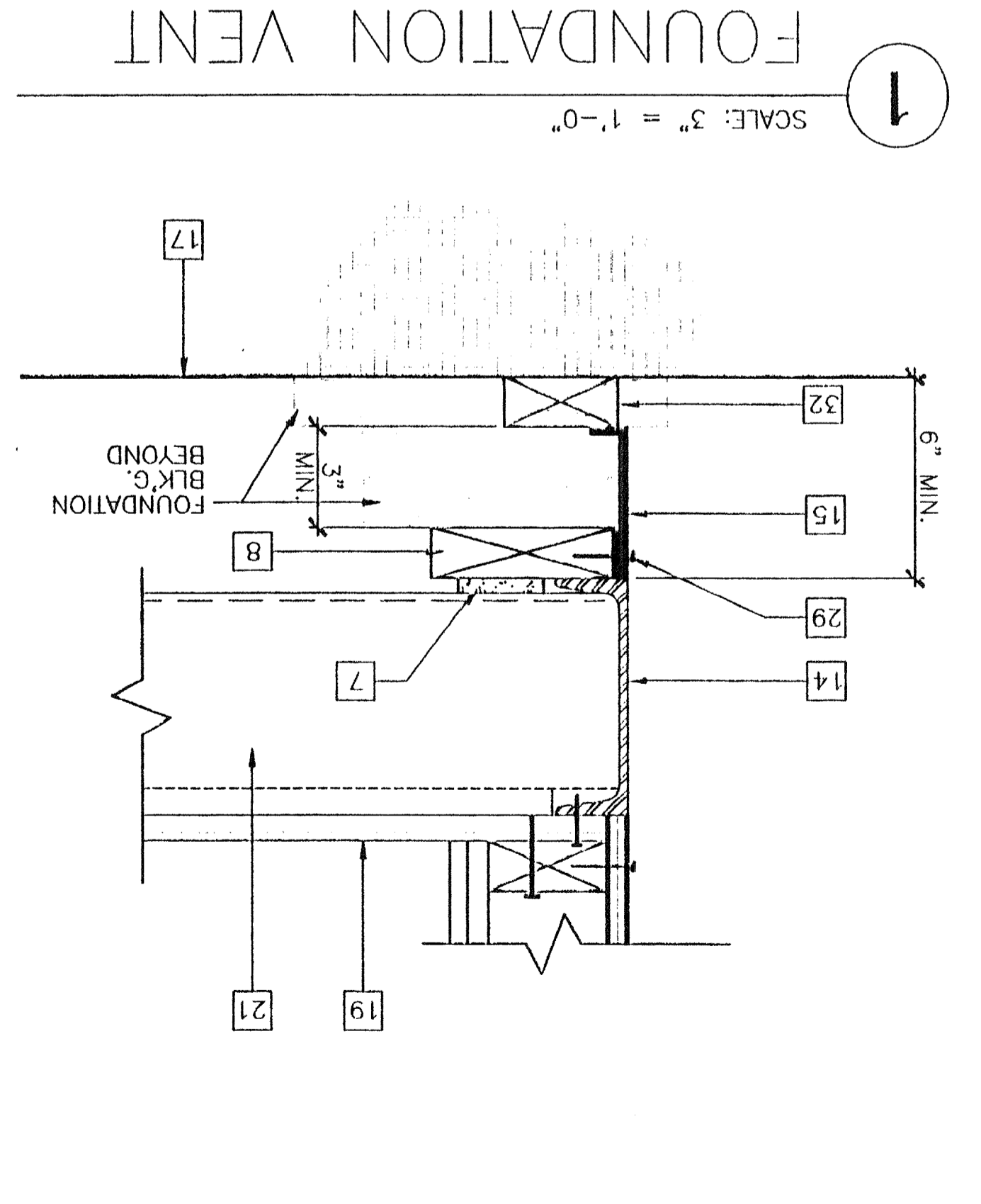
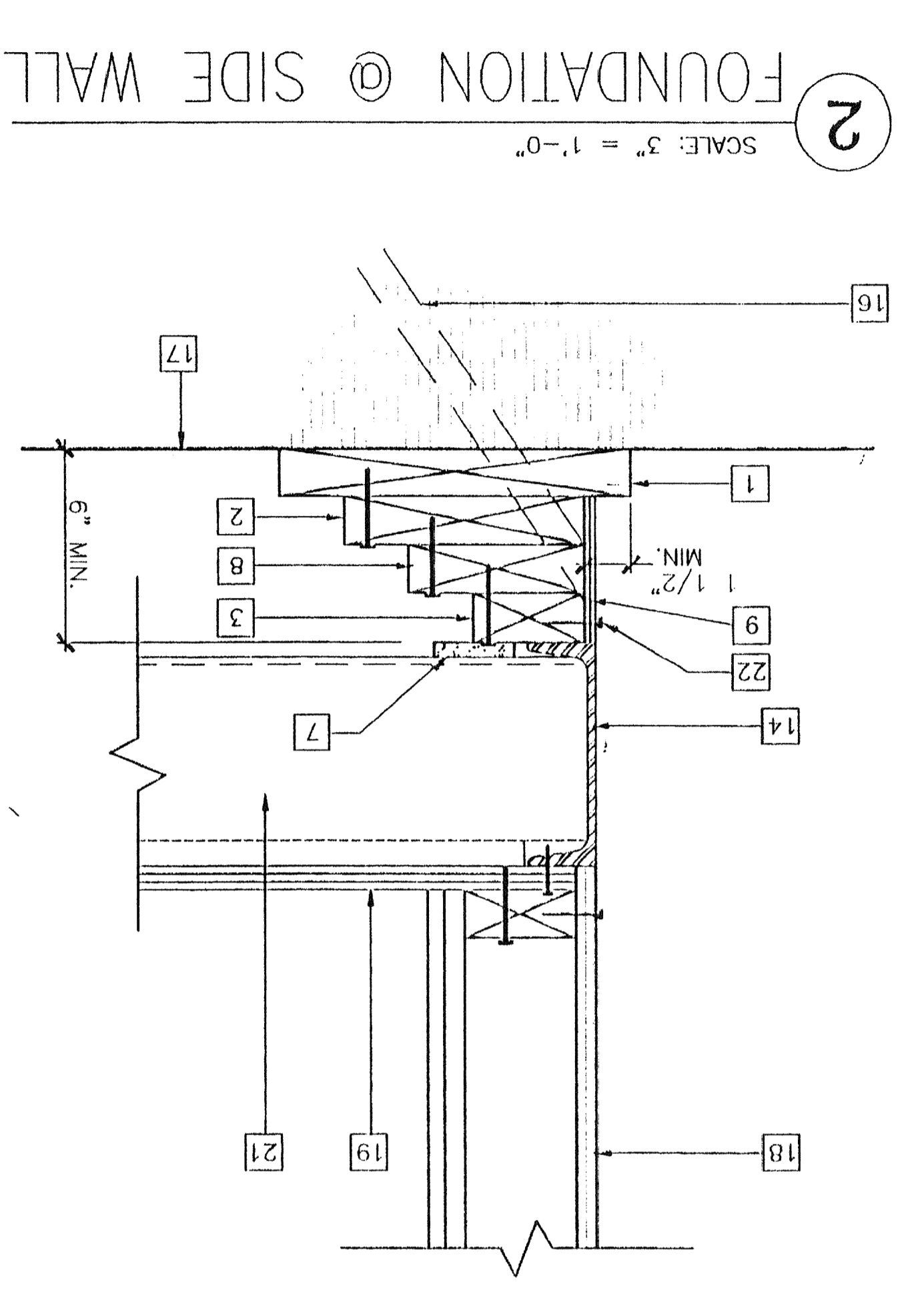
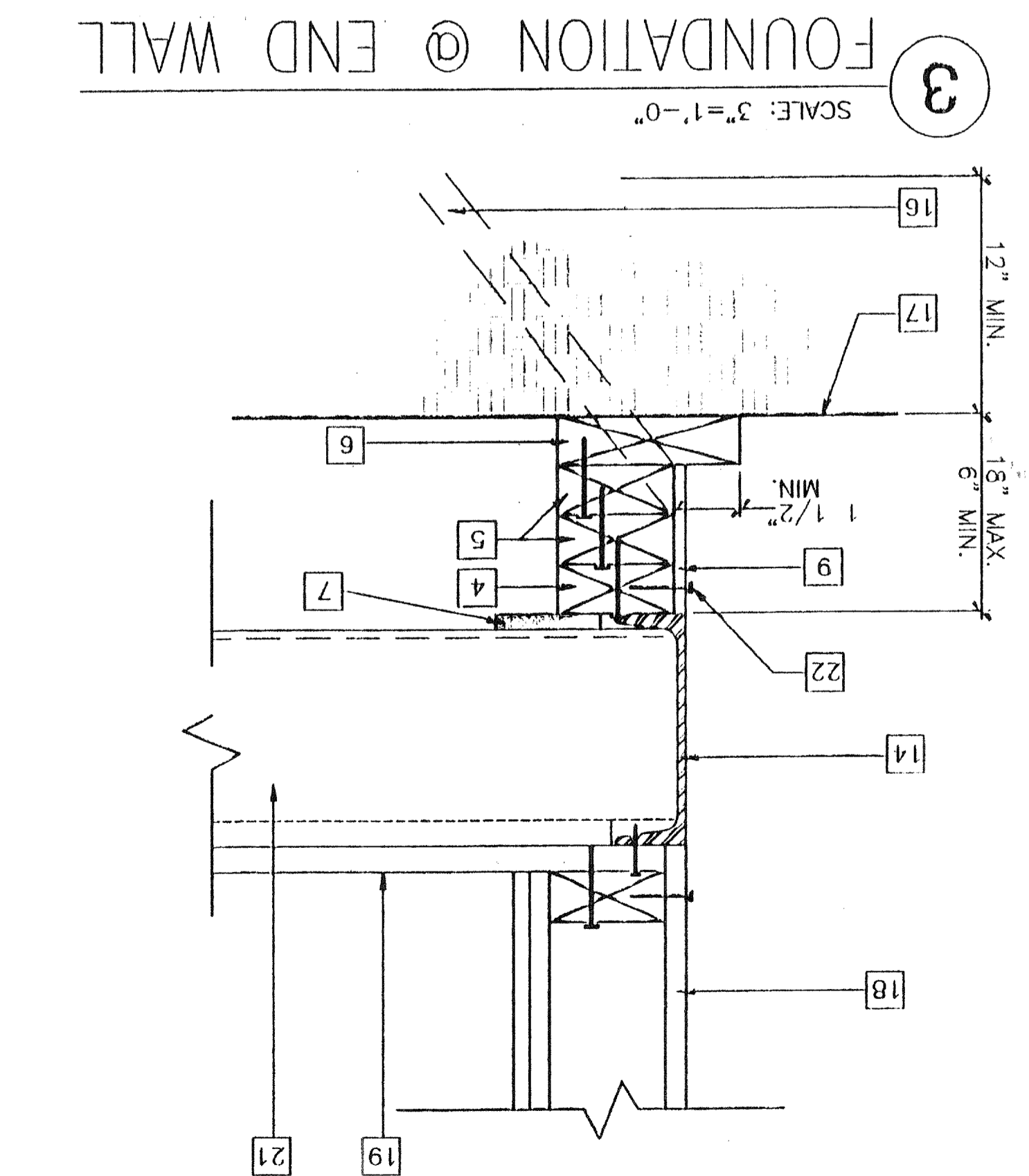
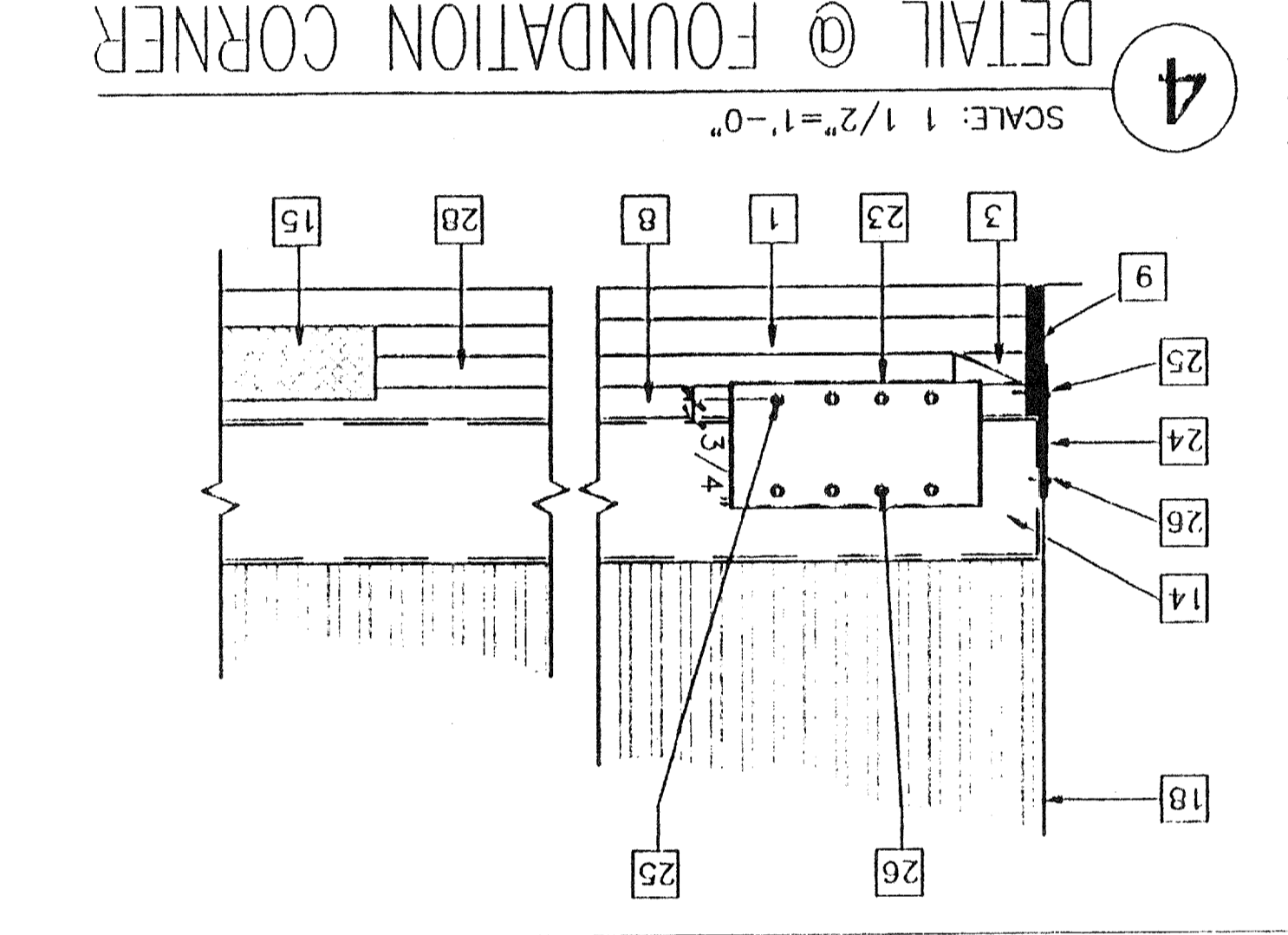
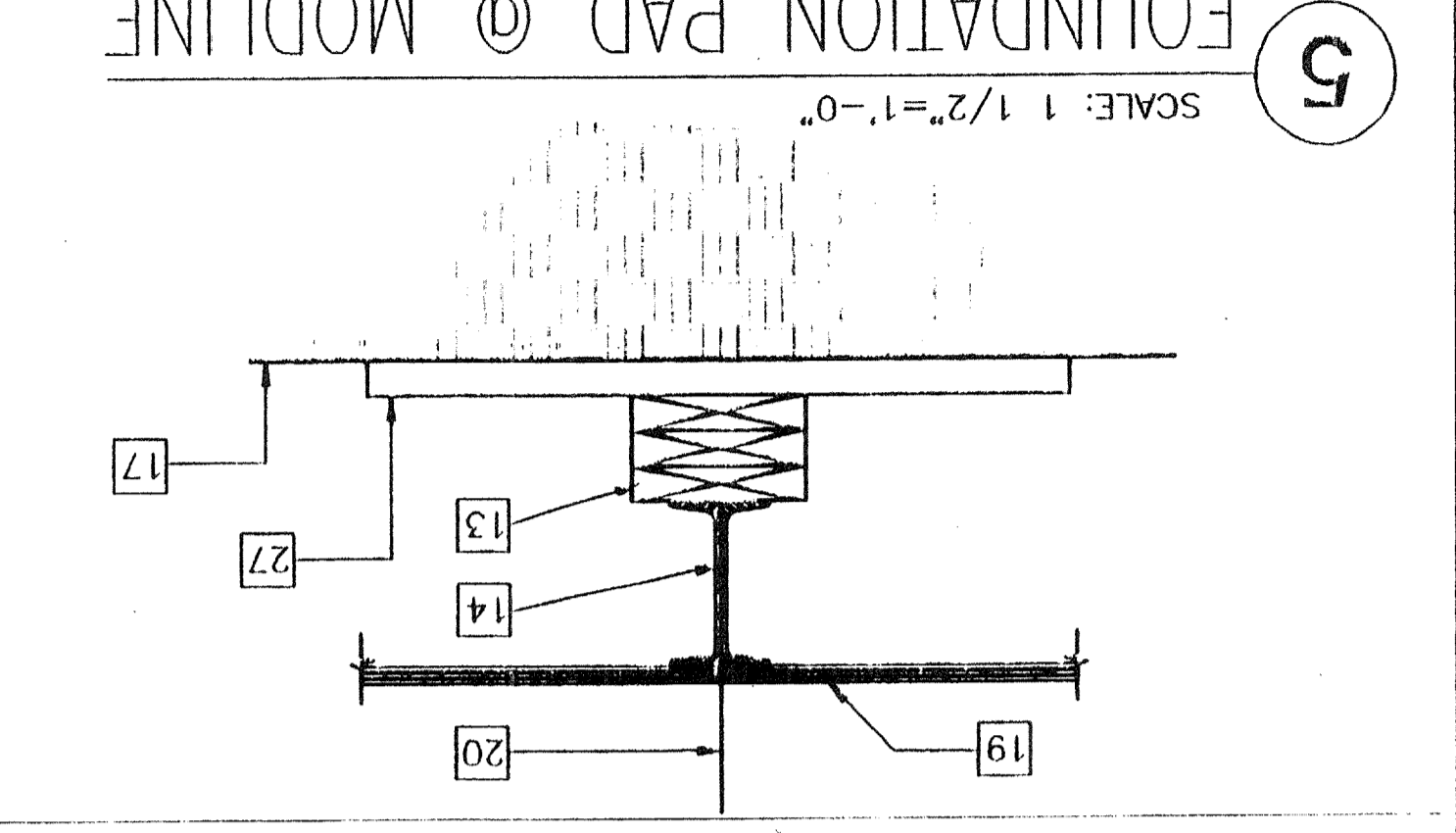
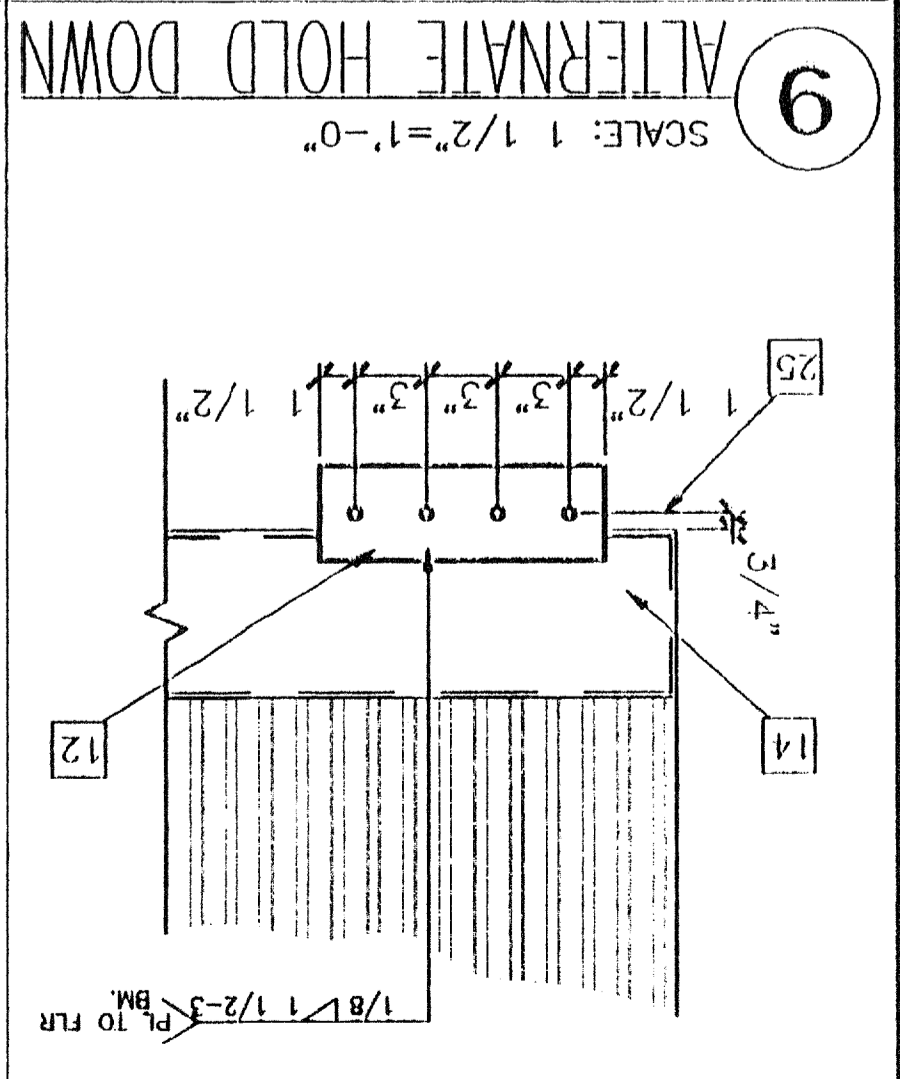
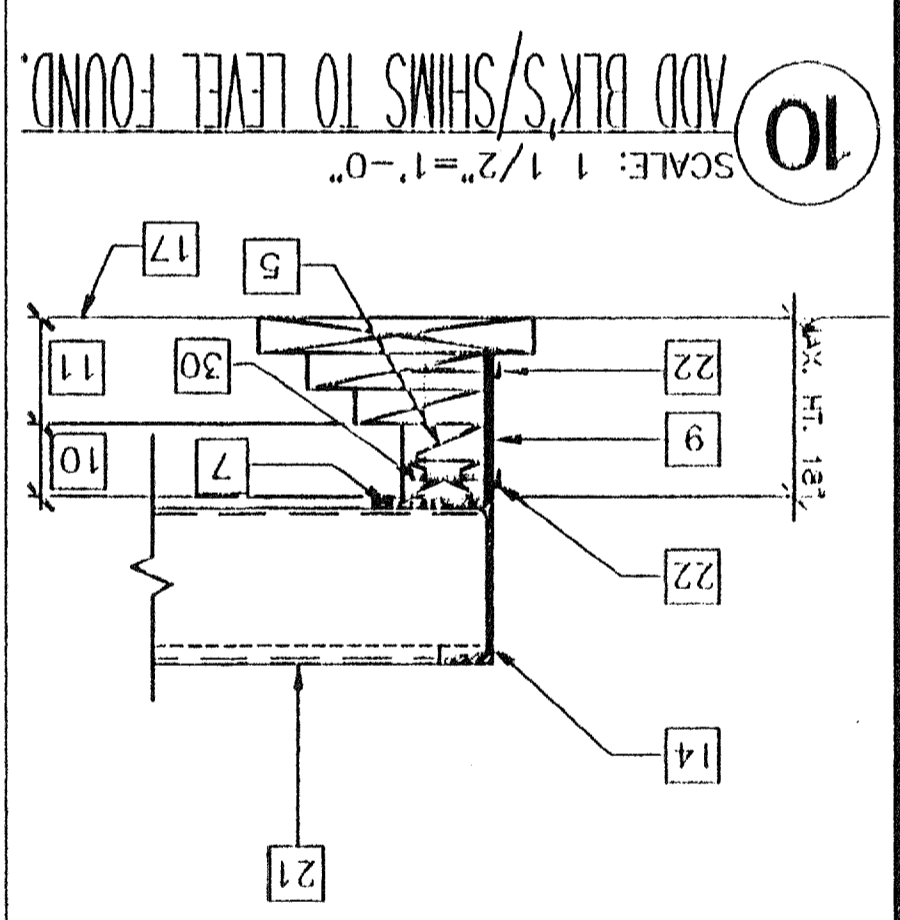
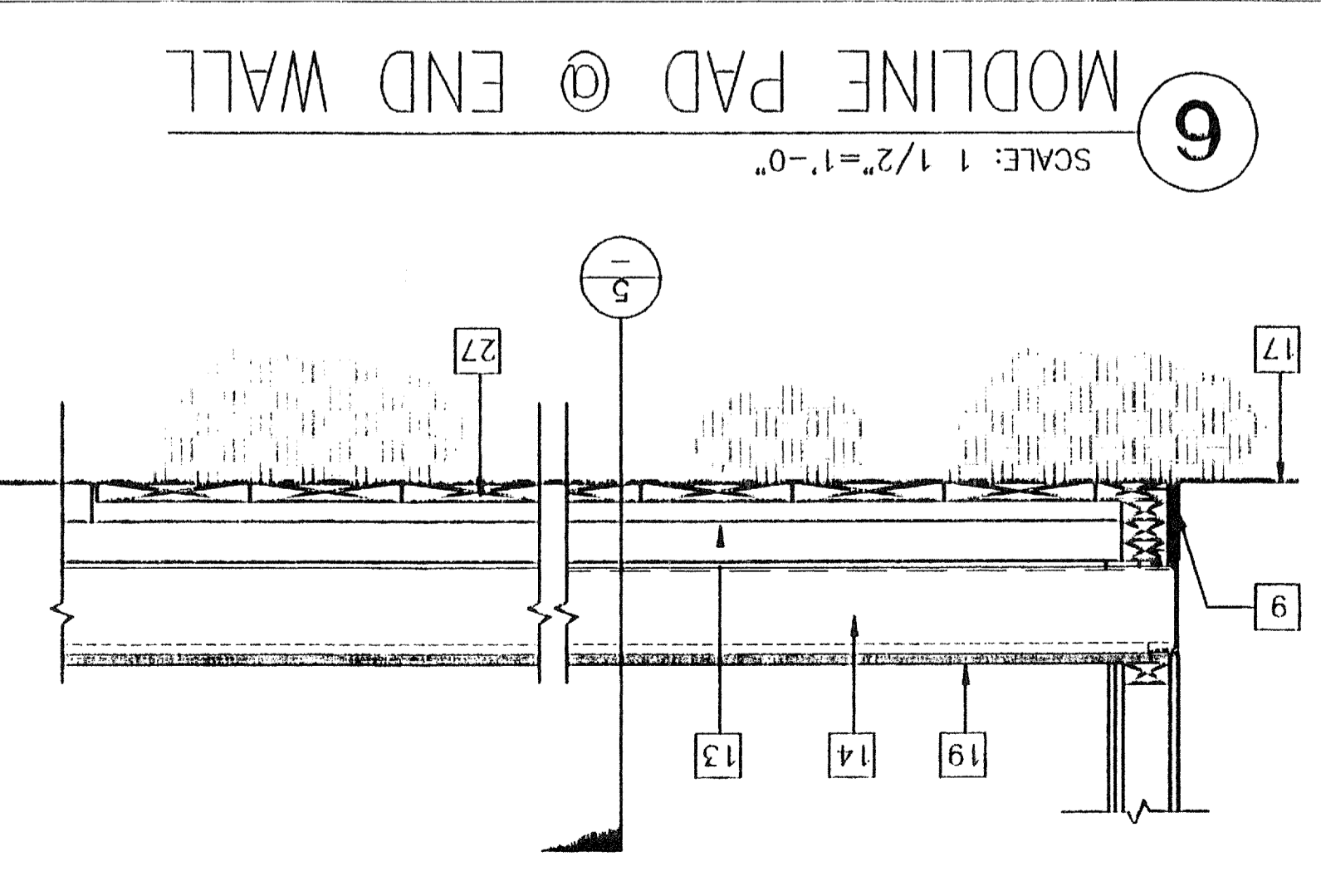
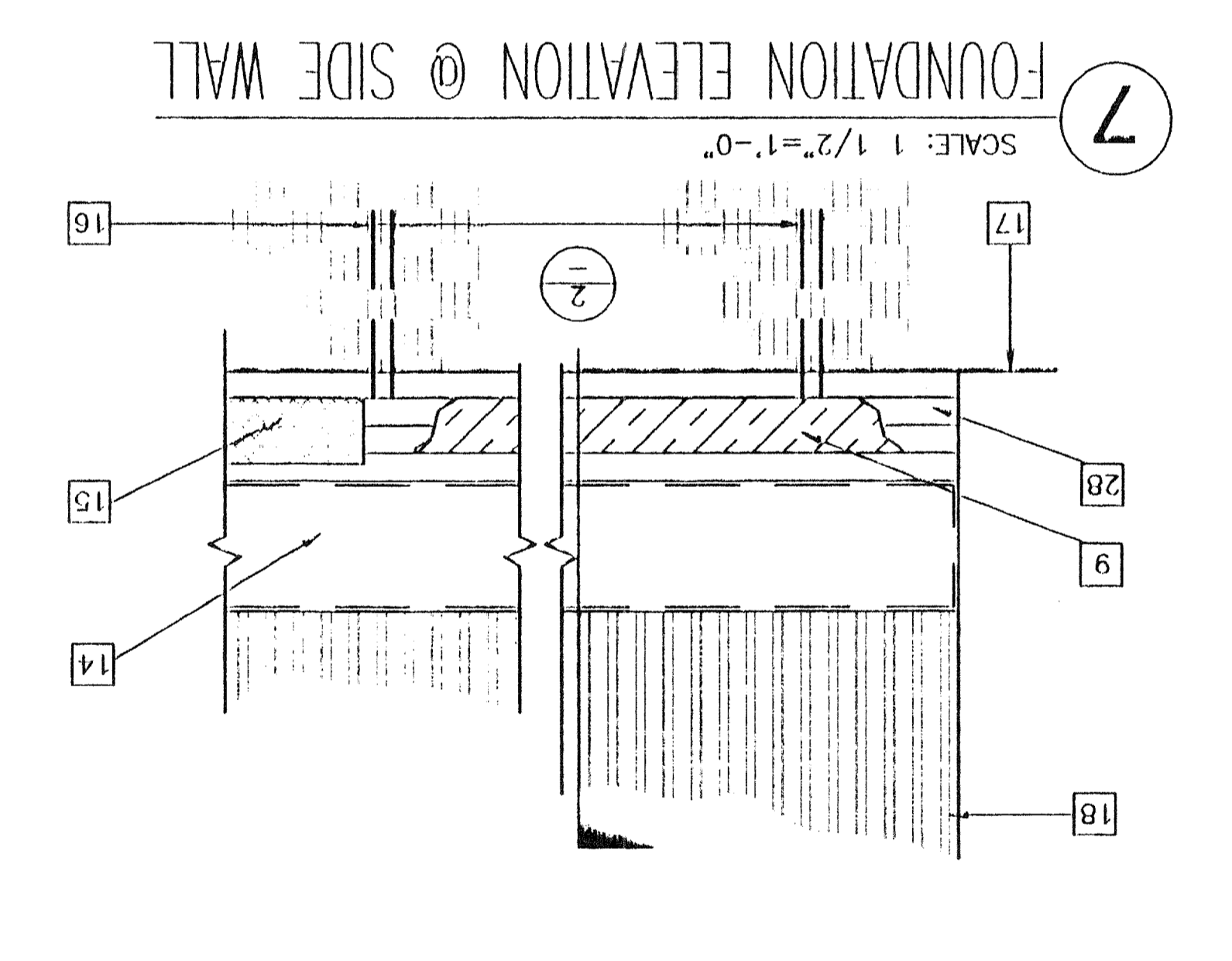
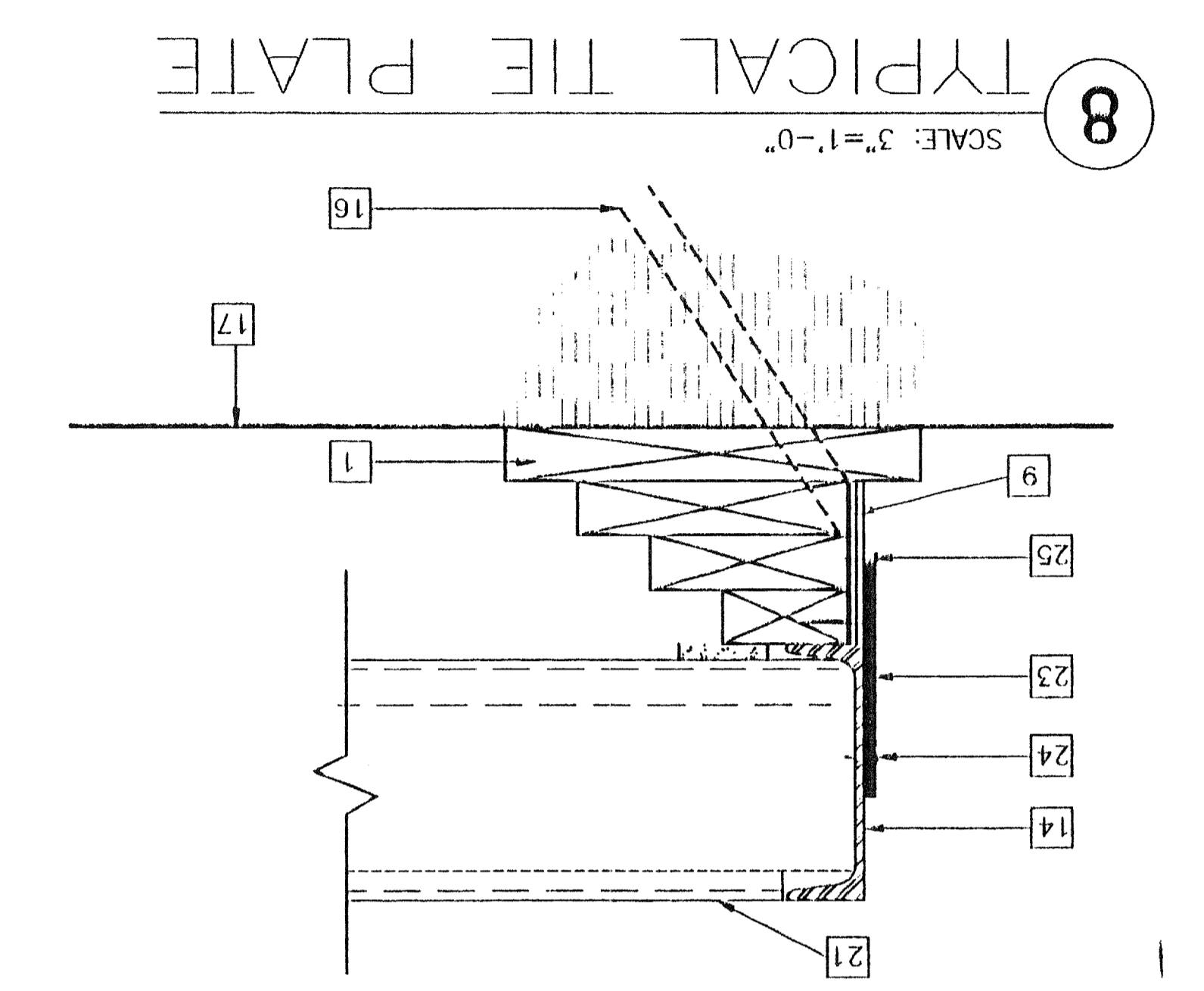
IDENTIFICATION STAMP
DIV. OF THE STATE ARCHITECT
OFFICE OF REGULATION SERVICES
PC-270
REVISED
DATE: FEB 19 1999
BY: SS



MODTECH INC.
2830 BARRETT AVENUE
PERRIS, CALIF. 92572
PH (909) 943-4014
FAX (909) 940-0427

FOUNDATION DETAILS
PROJECT NUMBER: © MODTECH, INC. 1999

PC-270
DRAWN BY: GM
DATE: 2/2/99
CHECKED BY: SS
DATE: 2/2/99
PROJECT NO.:
MODTECH Index No. **F20**



- KEY NOTES**
- 1 2X12 SILL PLATE SEE FOUND. PLAN FOR LENGTH
 - 2 2X8 TOP PLATE W/16d AT MAX. 5" O.C. TO SILL PLATE
 - 3 2X4 CONT. TOP PLATE W/16d AT MAX. 12" O.C.
 - 4 2X4 TOP PLATE CONT. W/16d AT MAX. 12" O.C.
 - 5 2X4 BLOCKING W/16d MAX. 12" O.C. TO SILL PLATE
 - 6 2X6 CONT. SILL PLATE
 - 7 5/8" X 2 1/2" SHIM (WHEN REQ.)
 - 8 2X6 BLOCKING W/16d AT MAX. 12" O.C.
 - 9 MIN. 5/8" PLYWOOD SKIRTING W/10d BOX @ MIN. 4" O.C. AT ENDWALLS & 6" O.C. AT SIDEWALLS E.N. & TYP. 12" O.C. FN.
 - 10 ADD BLOCKING OR SHIMS AS REQ. TO MAX. HT. SEE DETAIL #2
 - 11 MIN. FOUNDATION HEIGHT. SEE DETAIL #2
 - 12 10 GA. PLATE 4" X 12"
 - 13 2X8 BLOCKING FACE OR TOE NAIL 16d AT MAX. 12" O.C. ADD BLKS. OR SHIMS AS REQ'D.
 - 14 FLOOR FRAME BEAM. SEE STRUCTURAL
 - 15 VENT MIN. 3" X 6"-6" TYP. 4-PLACES = 6.5 SF. 2 VENTS AT 3" X 2'-0" = 1.0 SF. = 7.5 SQ. FT. TOTAL
 - 16 SILL RESTRAINT 1" DIA. PIPE. SEE FOUND. PLAN FOR LOCATION - 24" LONG
 - 17 FINISH GRADE
 - 18 EXTERIOR FINISH
 - 19 PLYWOOD SUBFLOOR
 - 20 MOD-LINE
 - 21 FLOOR-JOIST
 - 22 EN SEE NOTE #9
 - 23 6" X 12" X 10GA. PLATE W/(4) #10 SMS TO FLR. & (4)1/4" DIA. X 3" LAG TO FOUND. TOP PLATE
 - 24 6" X 12" X 10 GA. PLATE
 - 25 1/4" DIA. X 3" LG. LAG SCREW TYP. 4-PLACES
 - 26 #10 S.T.S. TYP. 4-PLACES
 - 27 2" X 12" X 2'-6" SILL PLATE. SEE FOUND. PLAN FOR QUANTITY REQ'D.
 - 28 2X8 BLOCKING W/16d AT MAX. 6" O.C. MIN. 3 PER BLOCK. (MAY VARY ACCORDING TO SITE)
 - 29 10d GALV. BOX NAIL AT MAX. 4" O.C.
 - 30 INSERT REQ'D 2X4 BLOCKING OR PLYWOOD SHIM W/16d AT 12" O.C. FACE NAIL
 - 31 NOT USED
 - 32 2X4 P.T. BLOCK TO CLOSE OFF SPACE AND SUPPORT BOTTOM OF VENT

RECEIVED
DATE: MAY 20 1999
BY: GM