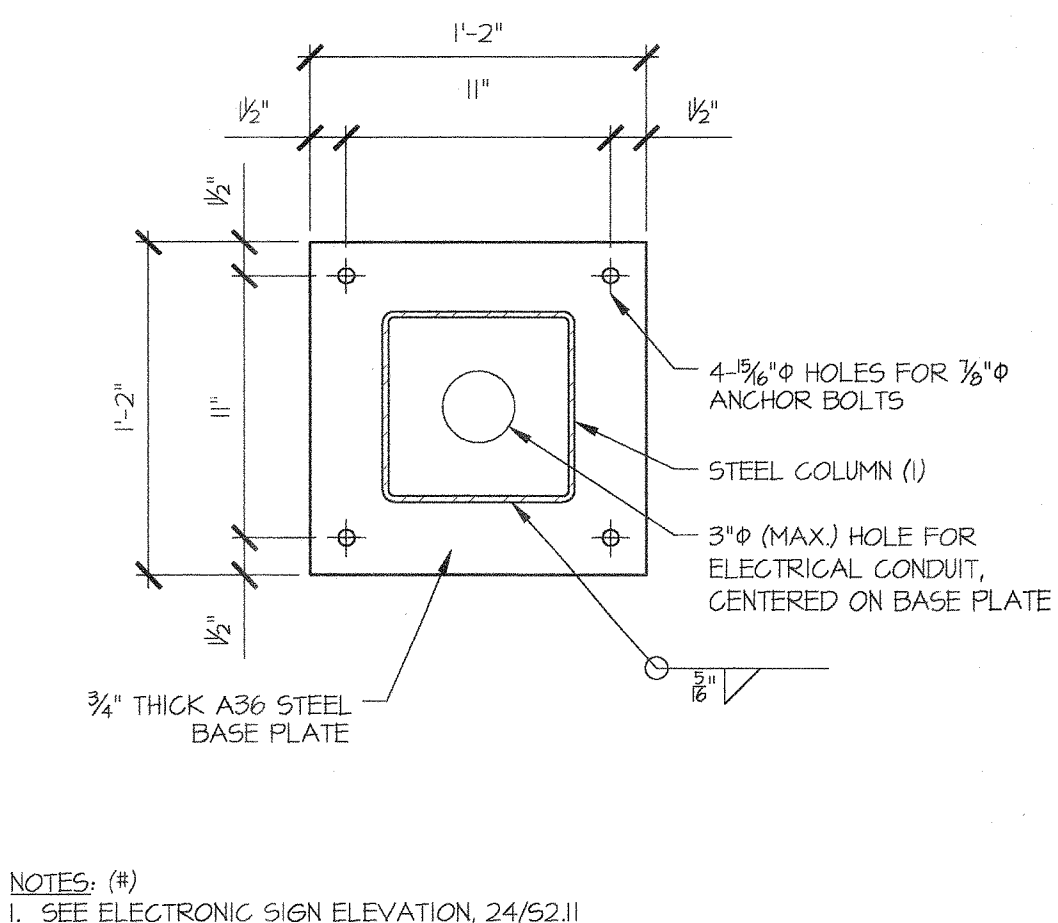


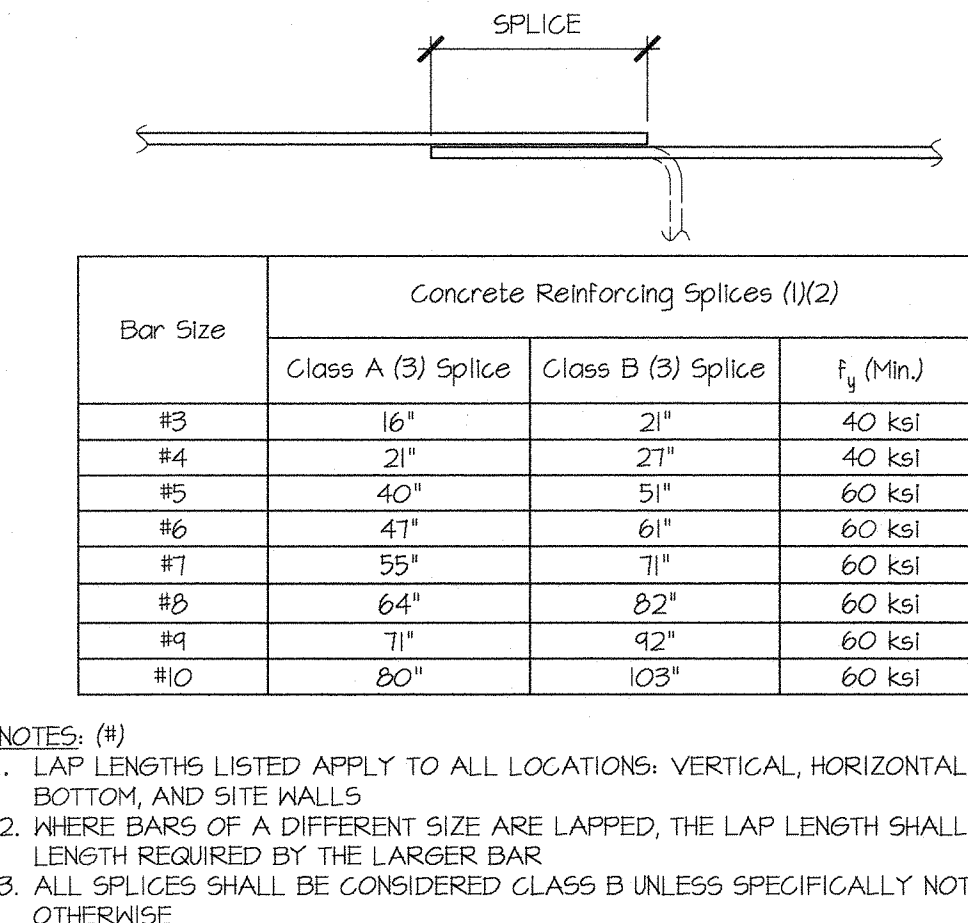
41 CONDUIT HAND HOLE

N.T.S.



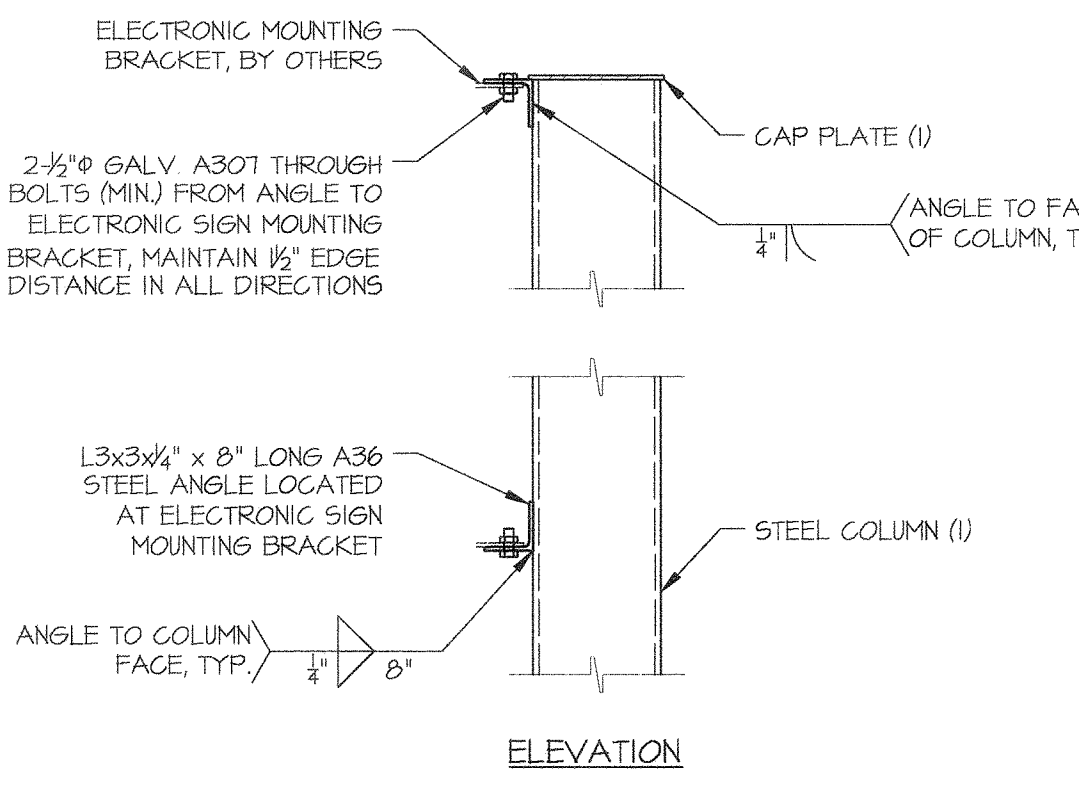
31 BASE PLATE

N.T.S.



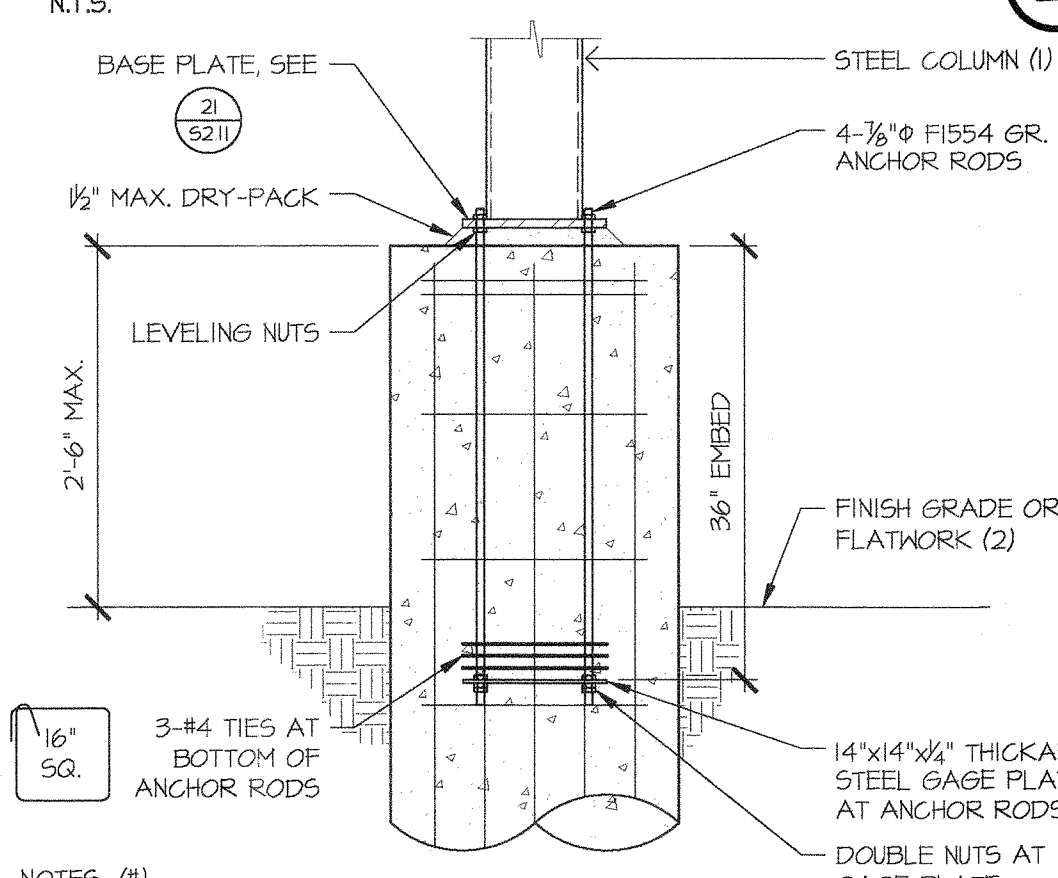
11 TYPICAL LAP SPLICES

N.T.S.



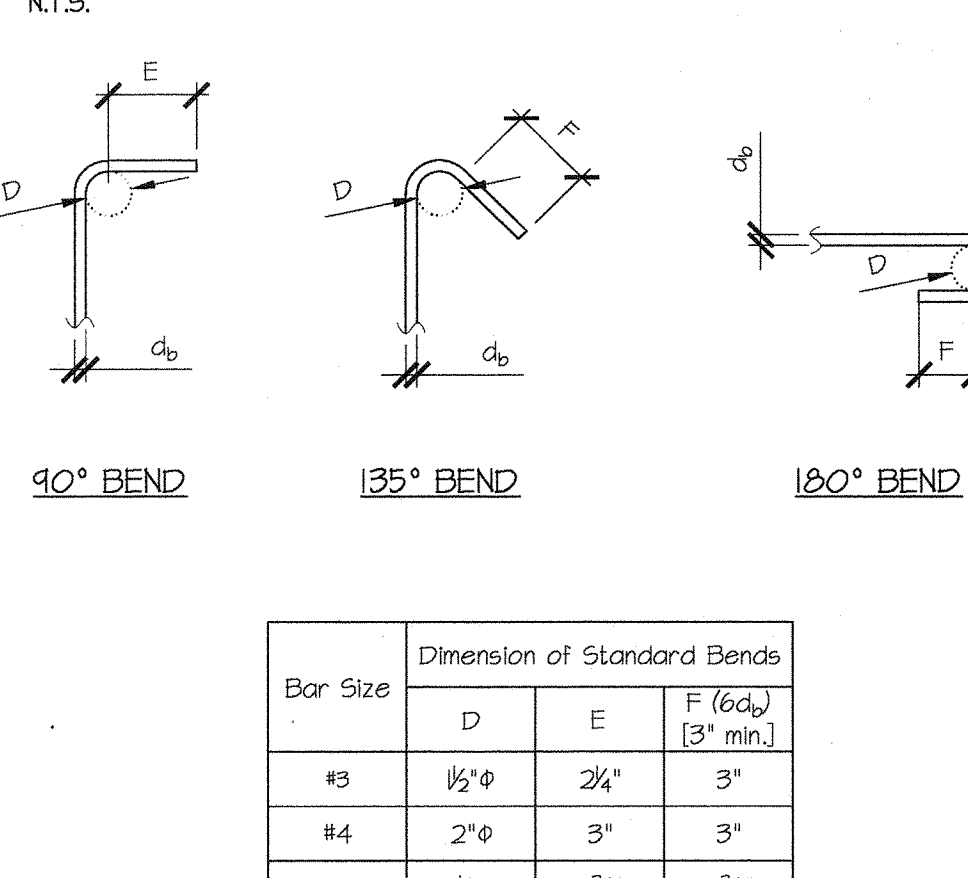
42 ELECTRONIC SIGN MOUNT

N.T.S.



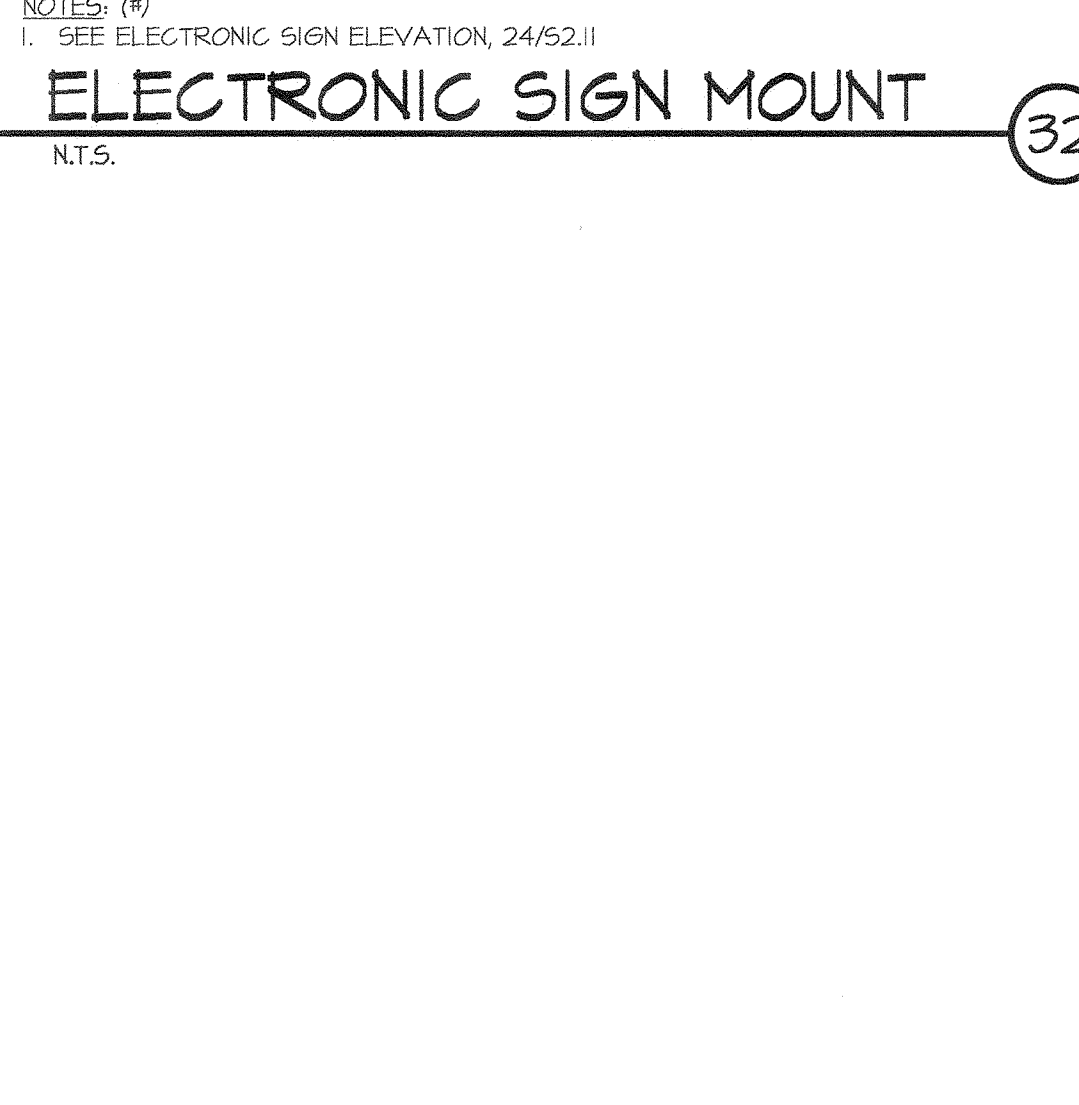
22 STEEL COL. ANCHORAGE

N.T.S.



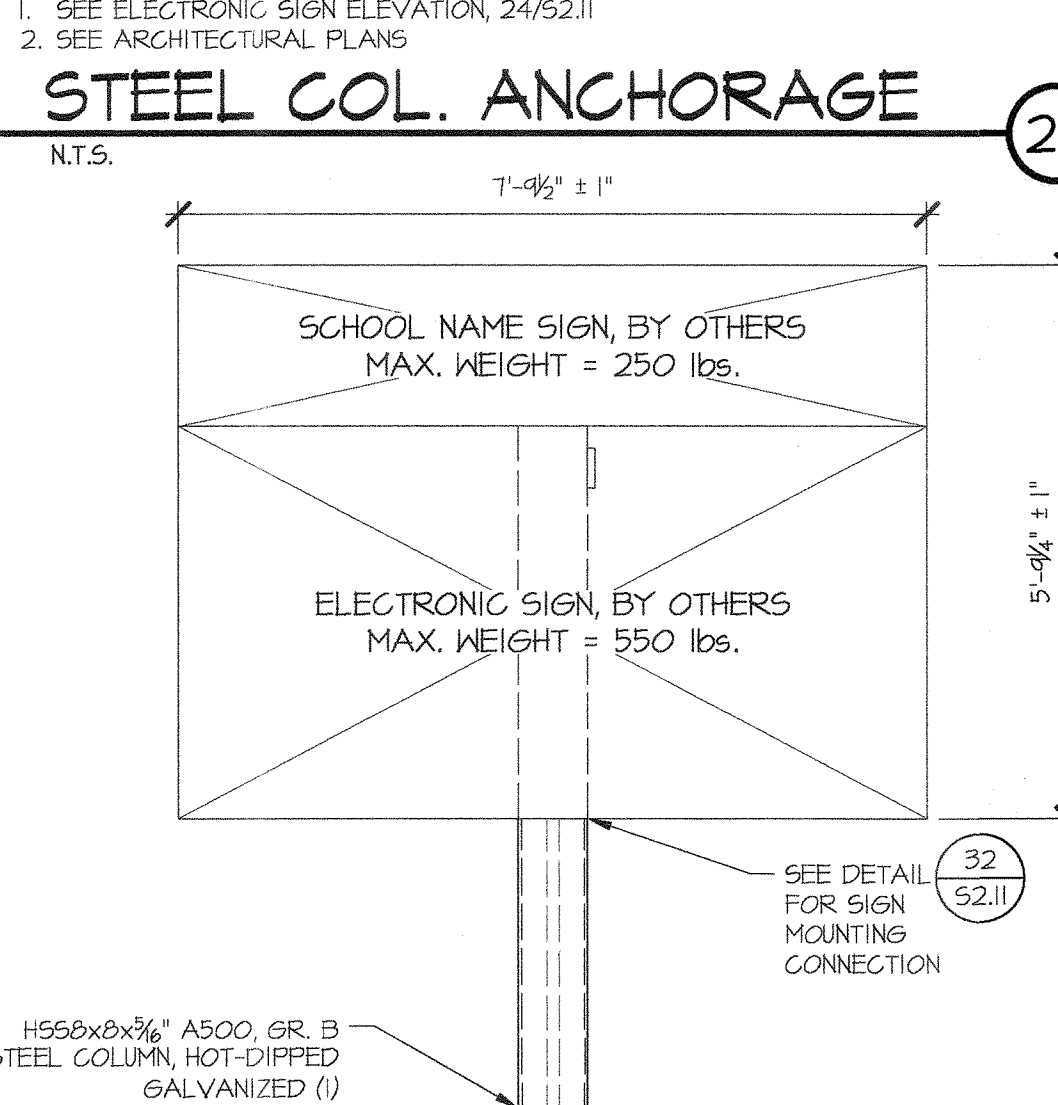
12 TIE AND STIRRUP BENDS

N.T.S.



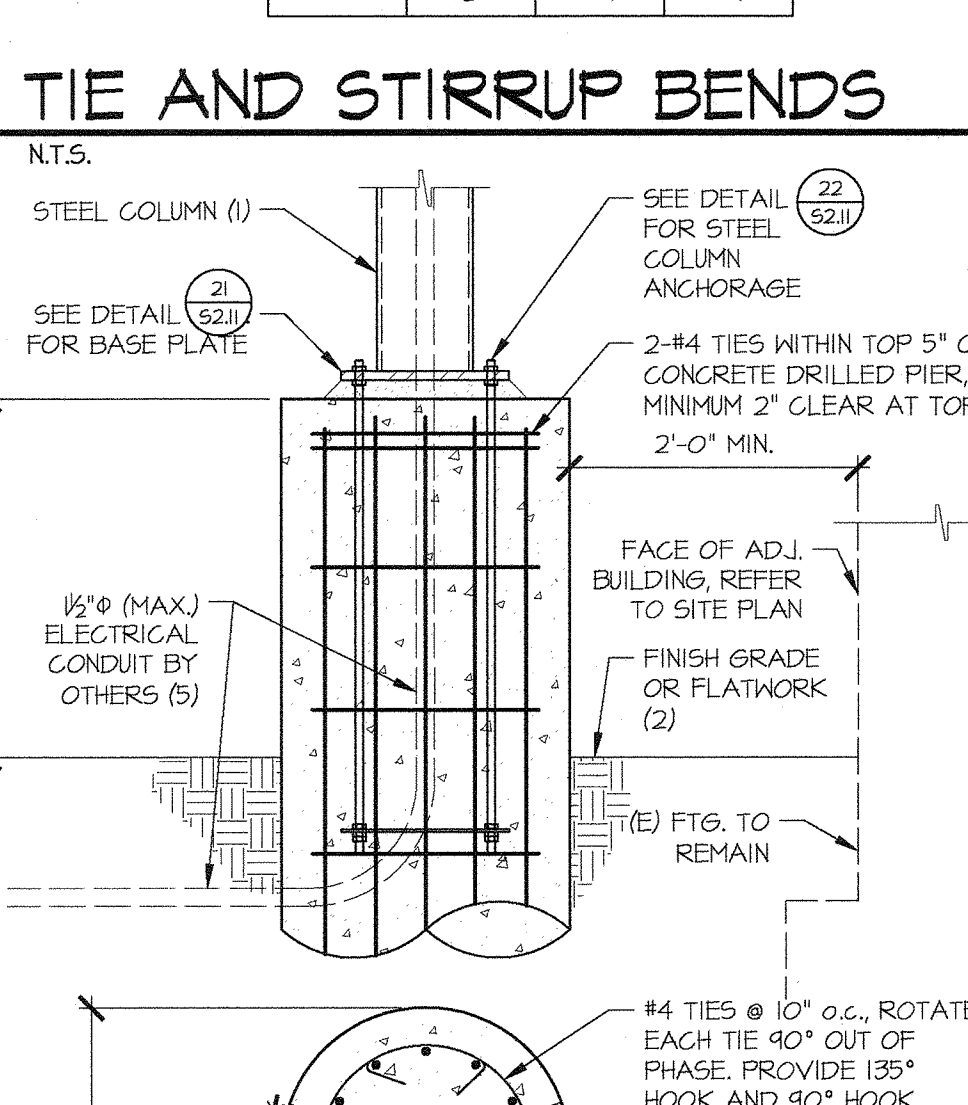
43 ELECTRONIC SIGN ELEV.

N.T.S.



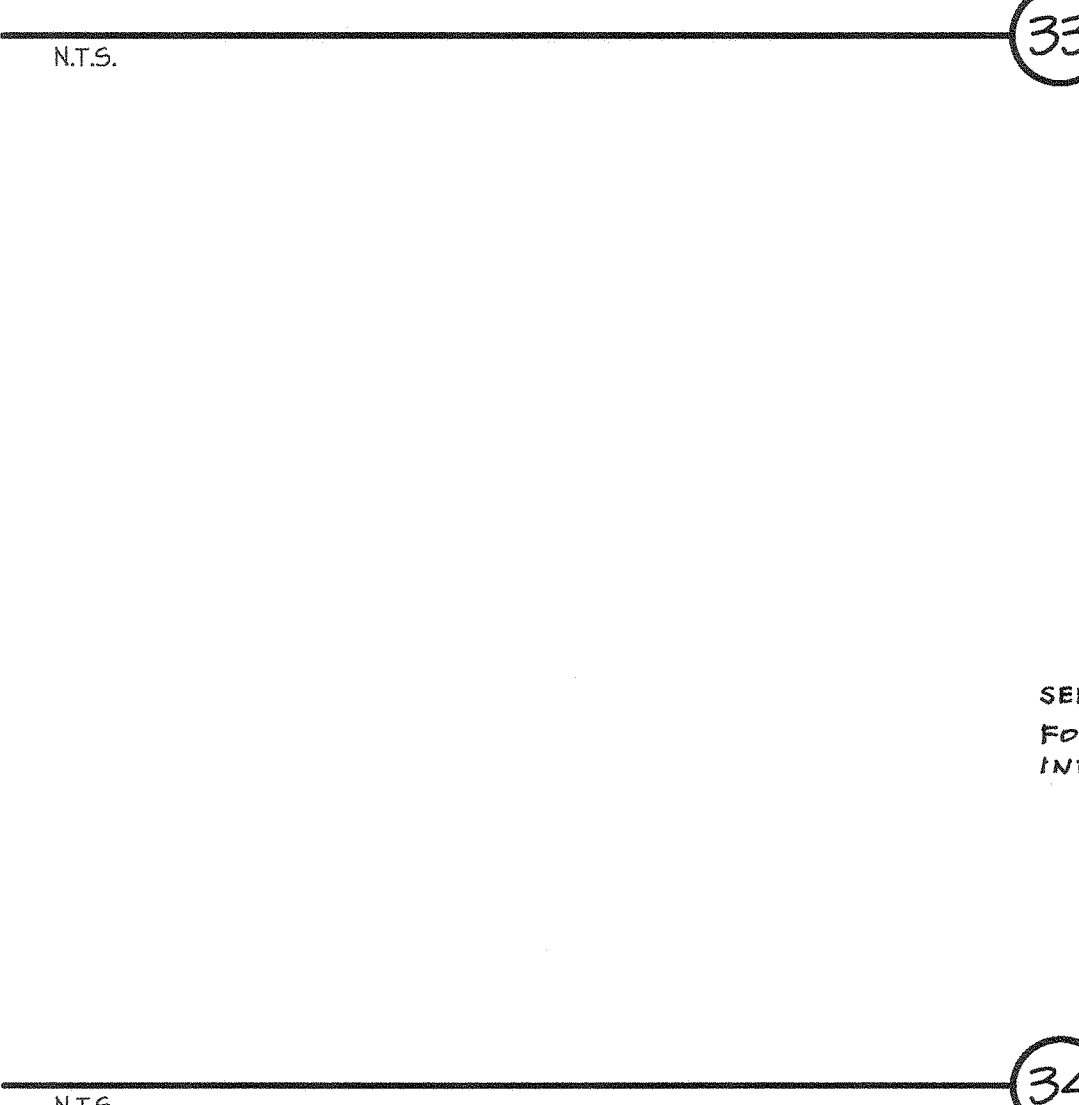
33 CONCRETE DRILLED PIER

N.T.S.



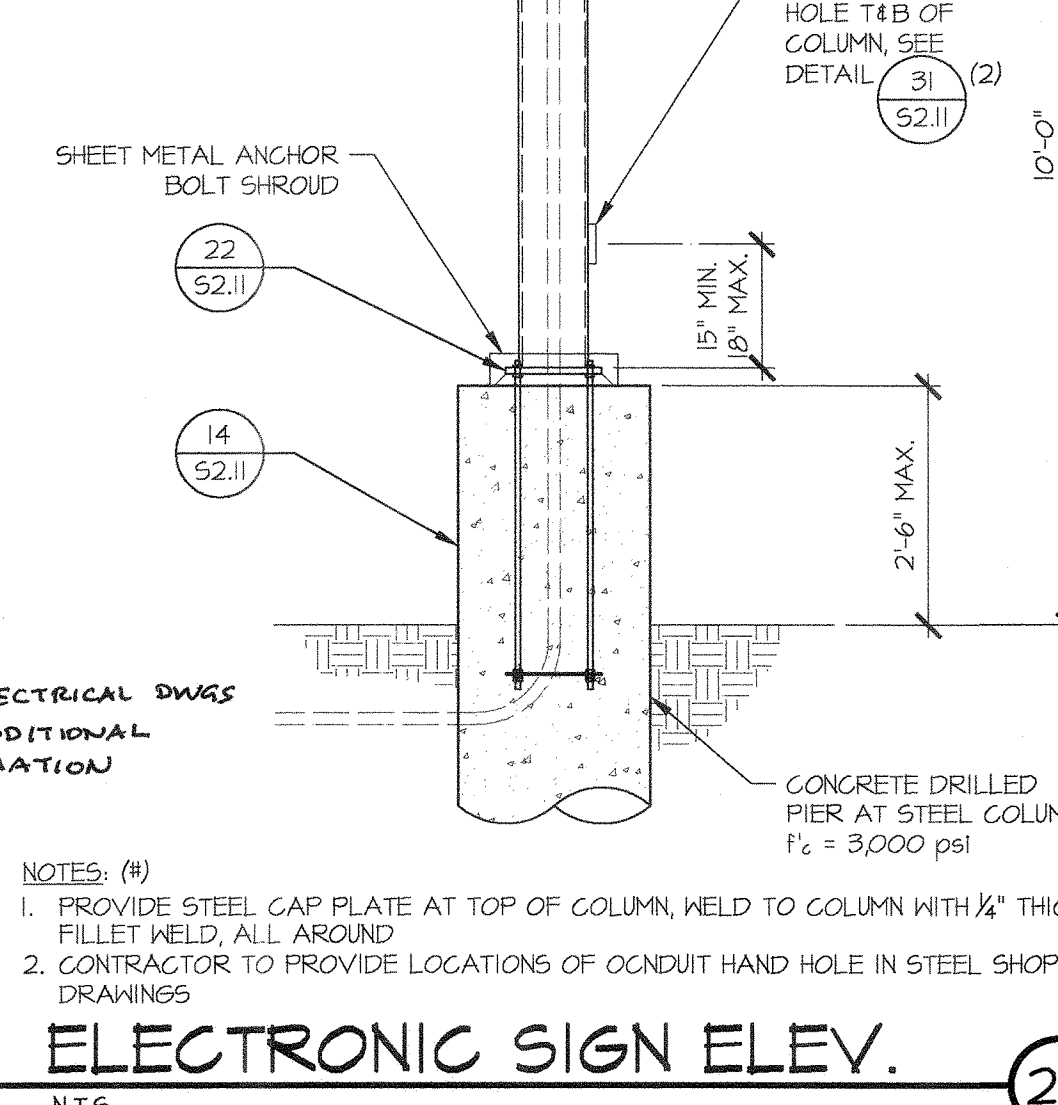
14 CONCRETE DRILLED PIER

N.T.S.



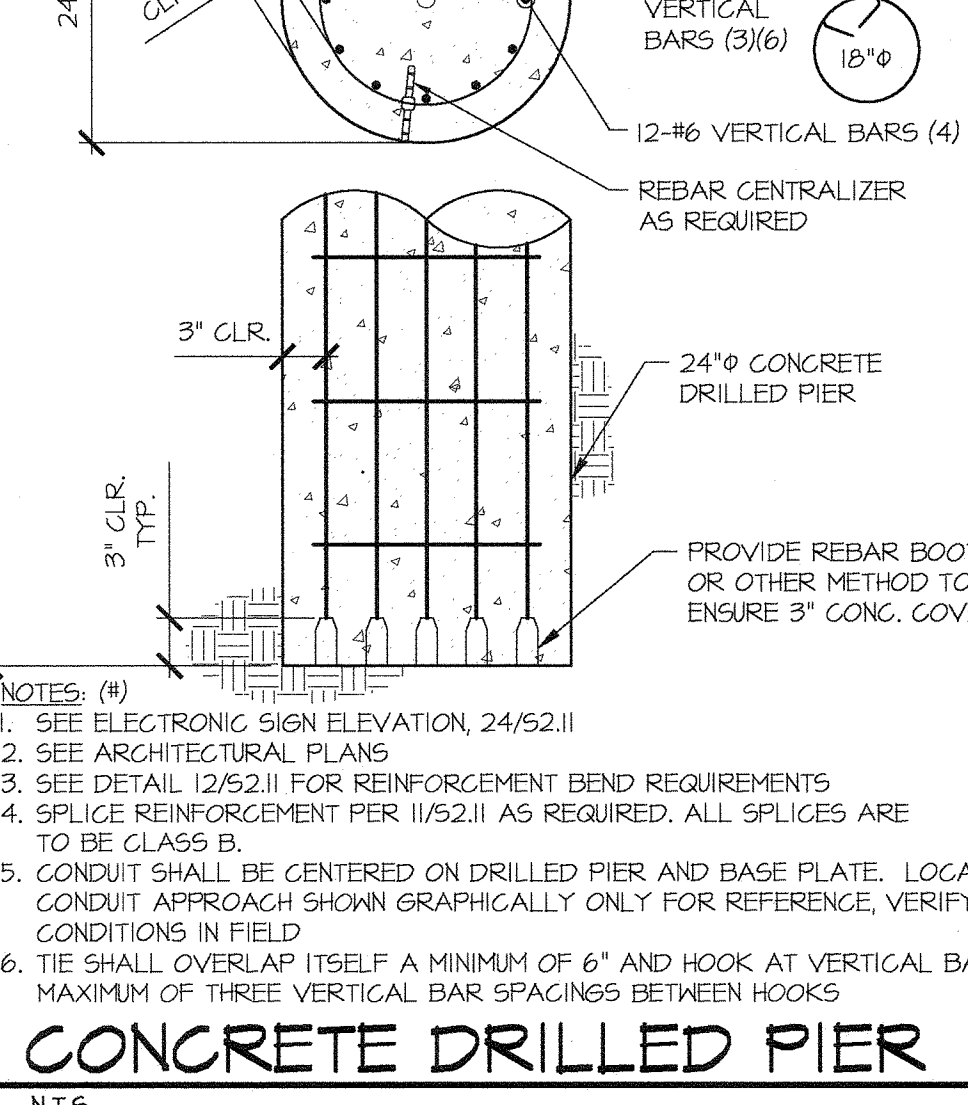
44 ELECTRONIC SIGN ELEV.

N.T.S.



34 ELECTRONIC SIGN ELEV.

N.T.S.



14 CONCRETE DRILLED PIER

N.T.S.

PRIME CONSULTANT
IBI ARCHITECTURE PLANNING
 San Luis Obispo
 4119 Broad Street, Suite 210
 San Luis Obispo, CA 93401
 805.546.0433 fax: 805.546.0504
 ibigroup.com

SEAL

COPYRIGHT: Any reproduction or distribution for any purpose other than authorized by IBI Group is forbidden.
 COPYRIGHT 2016 IBI GROUP

REVISIONS

NO.	DATE	APPRD.	DESCRIPTION

CONSULTANT

SMITH STRUCTURAL GROUP, LLP
 111 E. Center Street, Suite 201 | 805.439.2330
 San Luis Obispo, CA 93401 | smithstructural.com
 THESE DRAWINGS, NOTES AND DETAILS ARE INSTRUMENTS OF SERVICE AND ARE THE PROPERTY OF SMITH STRUCTURAL GROUP, LLP. ALL DRAWINGS, INFORMATION, SPECIFICATIONS, DEALS, SIGNS AND ARRANGEMENTS REPRESENTED WITHIN THESE DOCUMENTS SHALL REMAIN THE PROPERTY OF THE ENGINEER. NO PART THEREOF SHALL BE COPIED, DISCLOSED TO OTHERS OR USED IN CONNECTION WITH ANY WORK OR PROJECT OTHER THAN THE SPECIFIC PROJECT FOR WHICH THEY HAVE BEEN PREPARED AND DEVELOPED WITHOUT THE EXPRESS WRITTEN CONSENT OF THE ENGINEER. COPYRIGHT 2016.

DATE SIGNED: 11.29.16

AGENCY INFORMATION:
 AGENCY TRACKING NO. 63321-220
 FILE NO. 15-8
 IDENTIFICATION STAMP
 DIV. OF THE STATE ARCHITECT
 OFFICE OF REGULATION SERVICES
 07-117337
 AC FLG. ✓ SE. BY
 DATE 01-31-17

BAKERSFIELD CITY SCHOOL DISTRICT

 NEW MARQUEE AT FRANKLIN ELEMENTARY SCHOOL
 2400 TRUXTON AVENUE BAKERSFIELD, CA 93306

OPSC or OSHPD PROJ. NO:

PROJECT NO:	16125.000
DRAWN BY:	JLMH
CHK'D BY:	JMM
ISSUE DATE:	11/29/2016

SHEET TITLE
STRUCTURAL DETAILS

SHEET NUMBER

S2.11