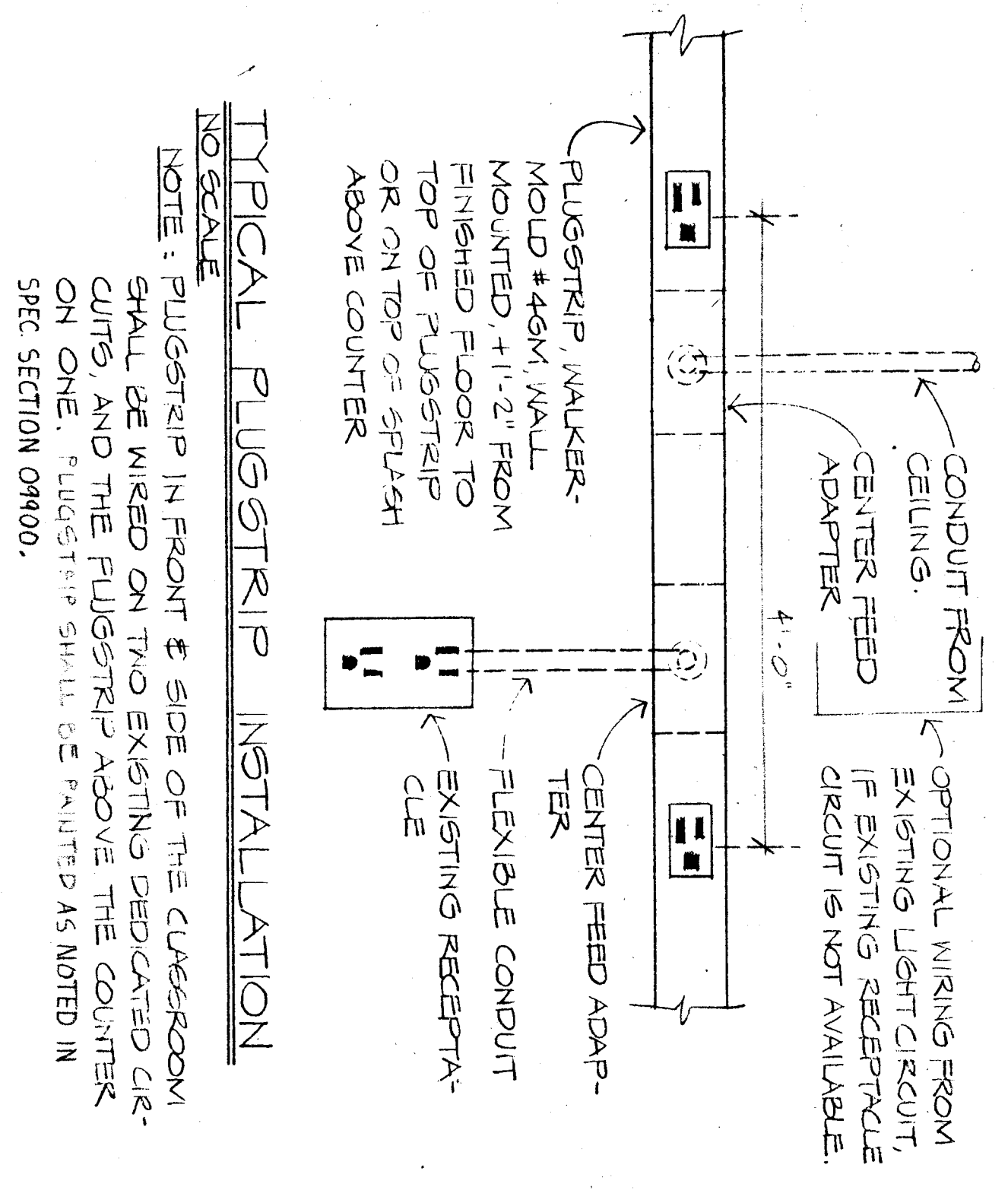
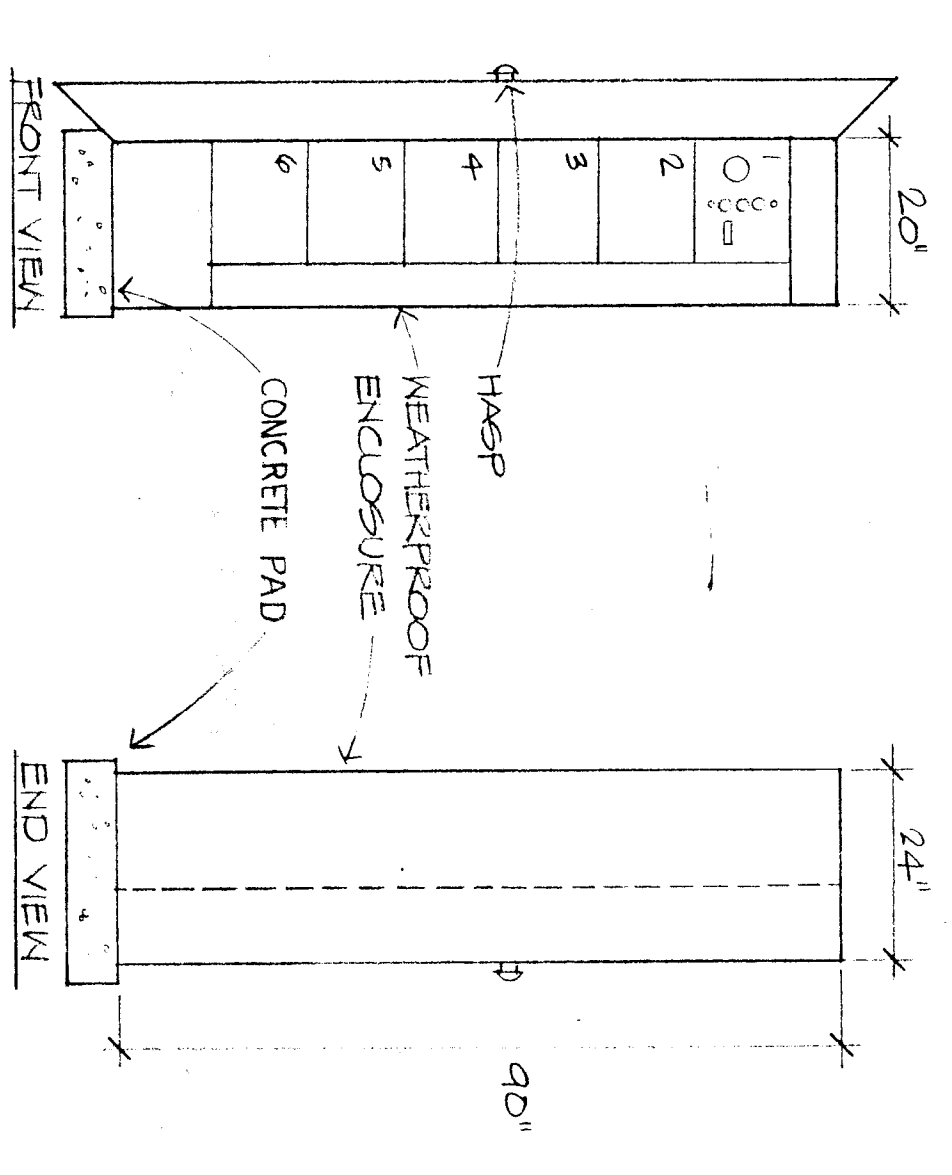


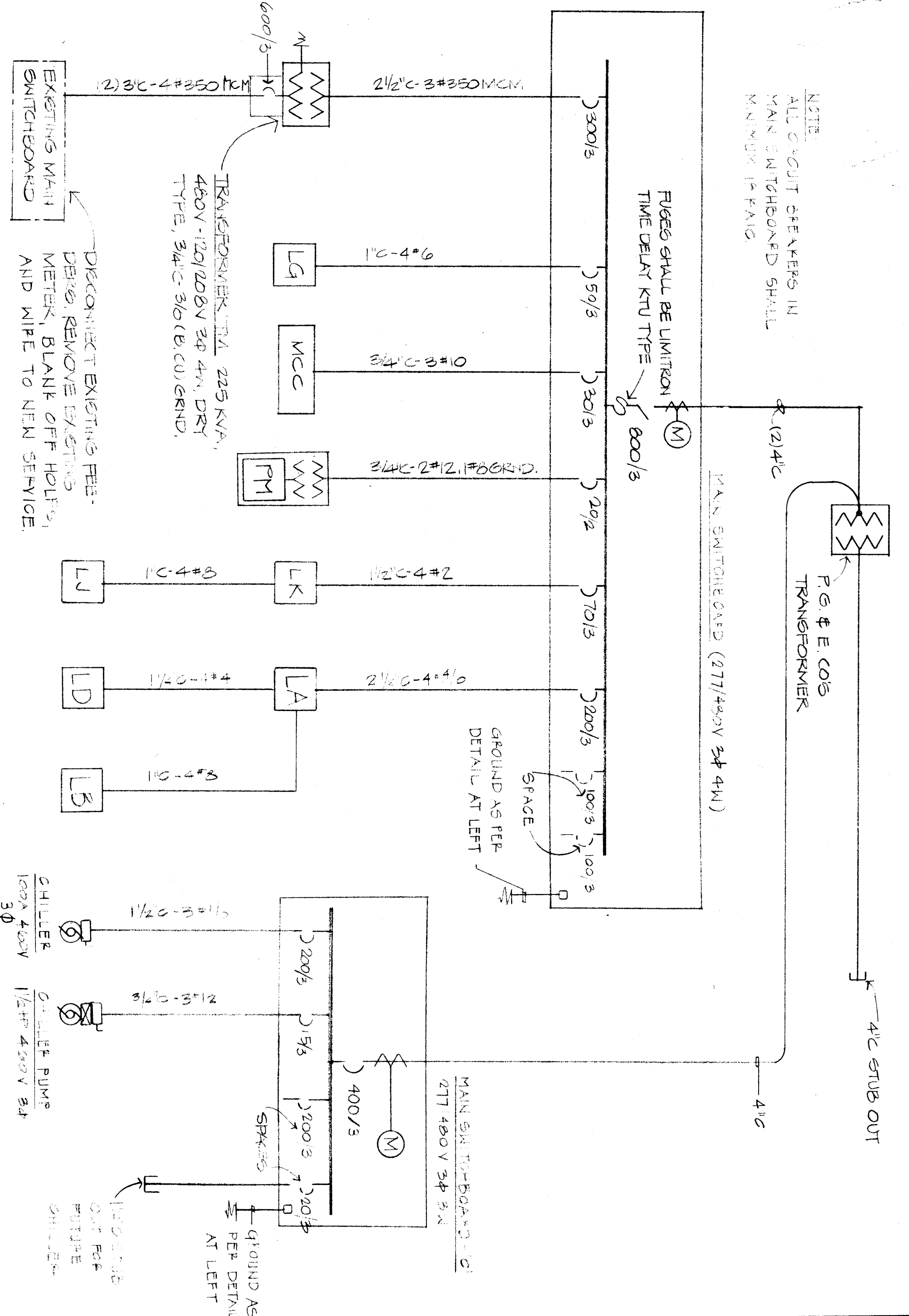
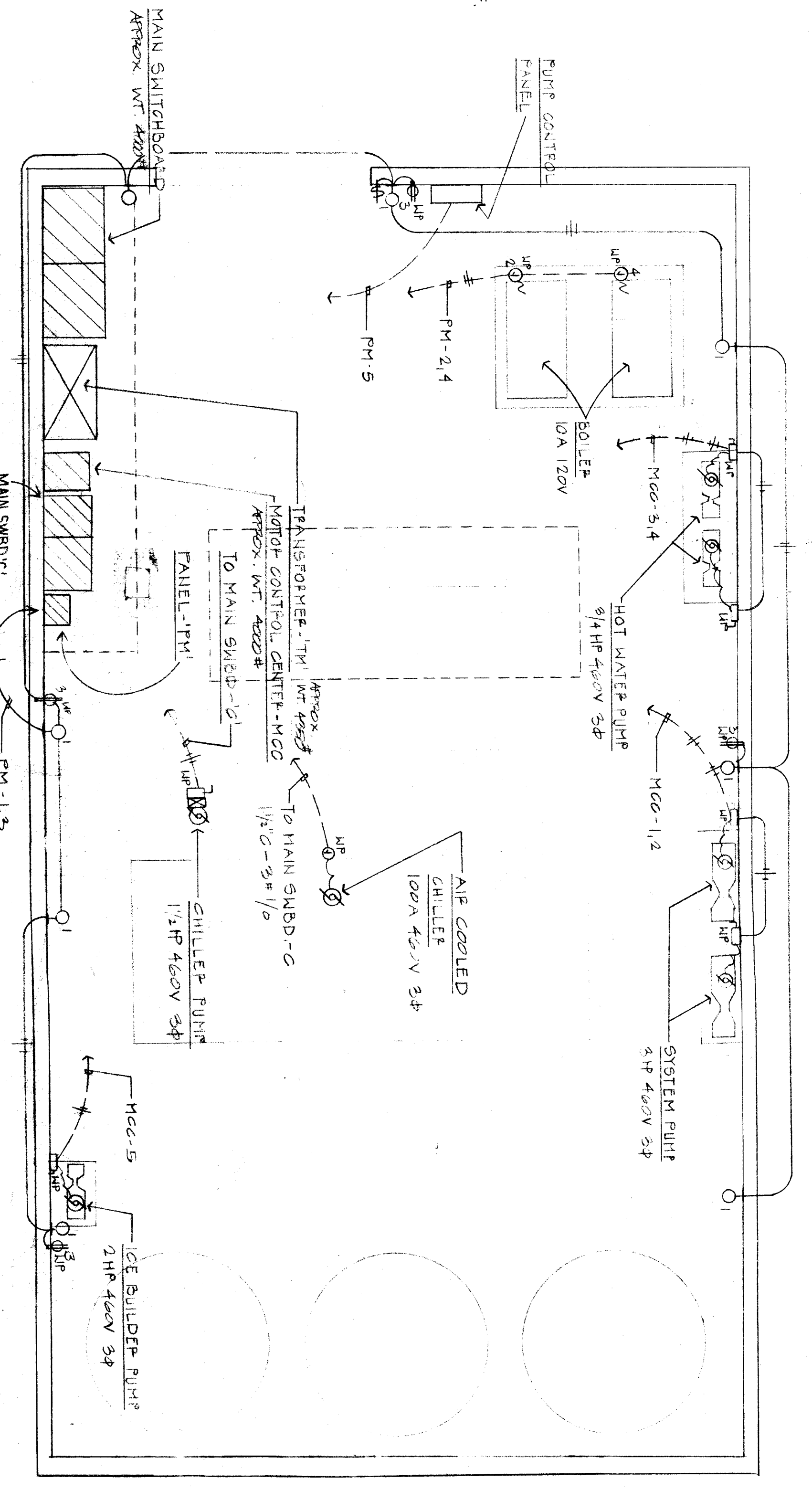
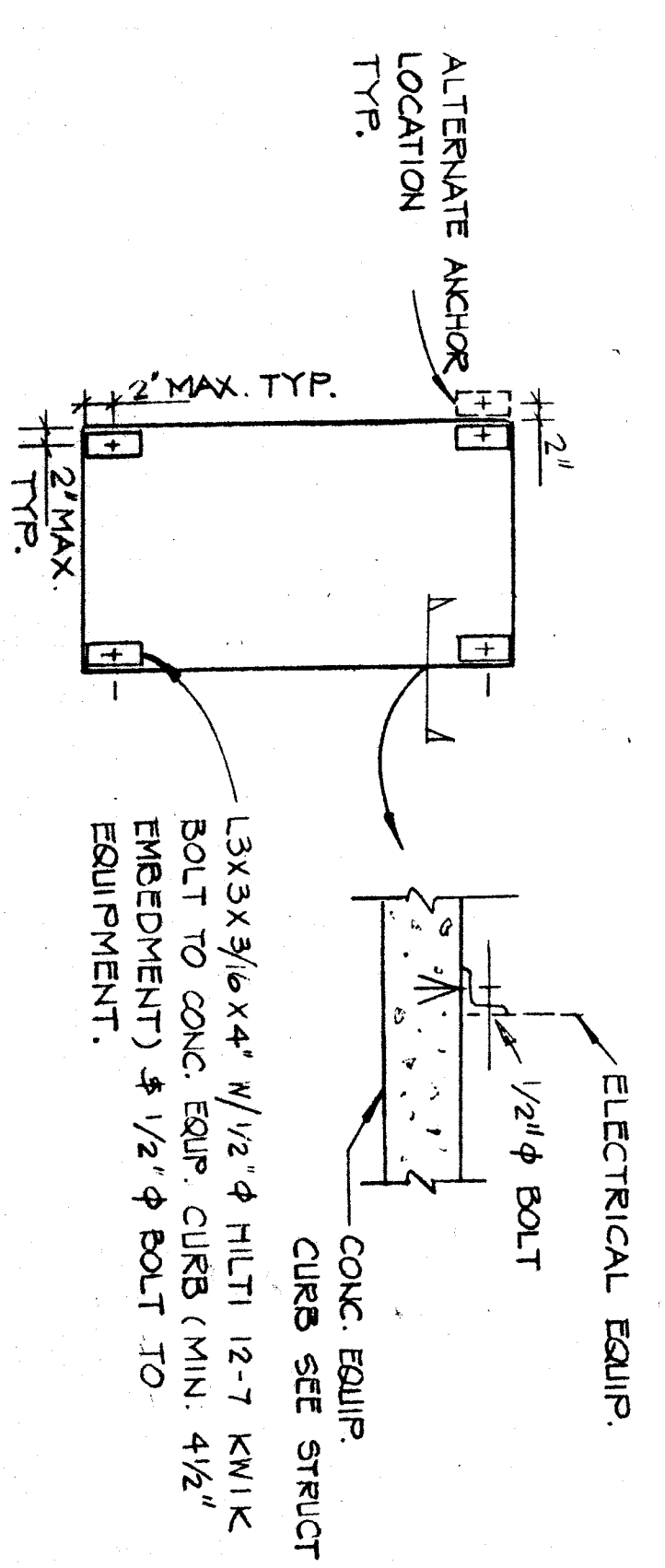
**MOTOR CONTROL CENTER (MCC) SCHED**

CIR. NO.	LOAD	HP	TABLE SWITCH SIZE	MCCS SIZE	MOTOR SWITCH SIZE	TYPE	FLA
1	SYSTEM PUMP	3	30	8	0	FVNR	4.0
2		3	30	8	0	FVNR	4.5
3	HOT WATER PUMP	3/4	30	2 1/2			1.4
4		3/4	30	2 1/2			1.4
5	CHILLER	1 1/2	30	4			2.0
6							



**ELECT. PANEL - 31A**

CIR. NO.	BRKR.	AMP. POLE	REMARKS	CONTR. BY SH. ON WALL	WAIT
1	20	20	LIGHTS		
2	20	20	BOLTERS		
3	20	20	BOLTERS		
4	20	20	BOLTERS		
5	20	20	BOLTERS		
6	20	20	BOLTERS		
7	20	20	BOLTERS		
8	20	20	BOLTERS		
9	20	20	BOLTERS		
10	20	20	BOLTERS		
TOTAL WAIT					1000
TOTAL CONN. LOAD					4.4KVA
MCCS					20/2 CIRC. 8744
FEDER. SEE LINE DIAGRAM ABOVE					
PANEL PM SHALL BE A PACKAGED POWER SUPPLY					
480V-120/240V 1P 3W, 5KVA, SQD & W/25500F					



**LINE DIAGRAM**

**ELECTRICAL EQUIPMENT ANCHORAGE DETAIL**

**ELECTRICAL FLOOR PLAN - MECH. EQUIP. ENCLOSURE**

DEPARTMENT OF EDUCATION  
 BAKERSFIELD CITY SCHOOL DISTRICT  
 BOARD OF EDUCATION  
 2019

APPROVED ARCHITECT  
 CHECKED  
 DRAWN BY  
 SHEET NUMBER  
**E-5**

DATE APPROVED  
 DATE ISSUED FOR PERMITS  
 DATE REVISIONS

KEY PLAN  
 MECH. EQUIP. ENCLOSURE - 31A

THE ABOVE DRAWINGS AND SPECIFICATIONS ARE THE PROPERTY OF RUSSELL & ASSOCIATES AND ARE NOT TO BE REPRODUCED OR COPIED IN ANY MANNER WITHOUT THE WRITTEN PERMISSION OF RUSSELL & ASSOCIATES. ANY REPRODUCTION OR COPIING OF THESE DRAWINGS WITHOUT THE WRITTEN PERMISSION OF RUSSELL & ASSOCIATES IS STRICTLY PROHIBITED.

**BAKERSFIELD CITY SCHOOL DISTRICT  
 FRANKLIN ELEMENTARY SCHOOL  
 MODERNIZATION**

**BAKERSFIELD CITY SCHOOL DISTRICT BOARD OF EDUCATION**

**RUSSELL & ASSOCIATES**  
 ENGINEERS ARCHITECTS PLANNERS  
 CONSULTANTS

Donald W. Ruffolo, AIA  
 Mark E. Russell, AIA  
 C 5285  
 C 1372E

4800 Soledad Highway, Suite 304, Bakersfield, California 93309 (805) 327-7777

PROJECT  
**BAKERSFIELD CITY SCHOOL DISTRICT**

CONSULTANTS  
 ENGINEER  
 CONSULTING ELECTRICAL ENGINEER  
 BY: N. RUSSELL, AIA, P.E., P.L.C., P.E.  
 TEL: (805) 327-7777