

Donald W. Rieder, AIA
Mark E. Russell, AIA
Craig G. Elmer, AIA
C1928
C1976
C1971

K. Brian Hoffman, AIA
Kerensa A. Kelle, AIA
Jeffery P. Knassus, AIA
Tommy W. Preston, AIA
Larry G. Wiggins, AIA
C1981
C1798
C1884
C1985
C1914

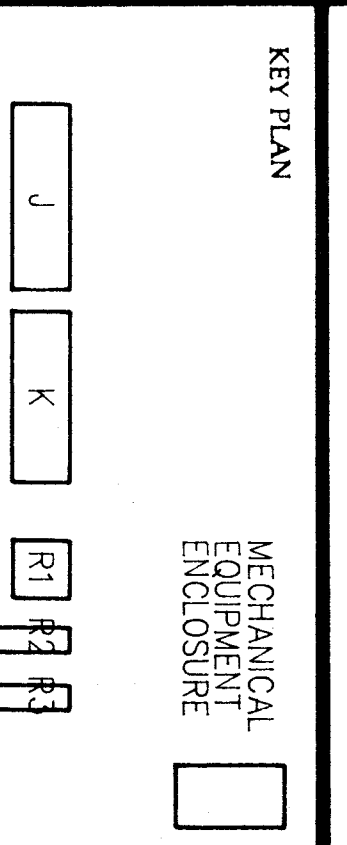
Renfro-Russell & Associates, Inc.
4600 Southridge Highway, Suite 304, Bakersfield, California 93309 805-337-0775

CONSULTANTS

PROJECT
BAKERSFIELD CITY SCHOOL DISTRICT
FRANKLIN ELEMENTARY SCHOOL MODERNIZATION

FRANKLIN ELEMENTARY SCHOOL MODERNIZATION

MECHANICAL EQUIPMENT ENCLOSURE



BAKERSFIELD CITY SCHOOL DISTRICT BOARD OF EDUCATION

DATE APPROVED

DATE ISSUED FOR O.S.A. PLAN CHECK

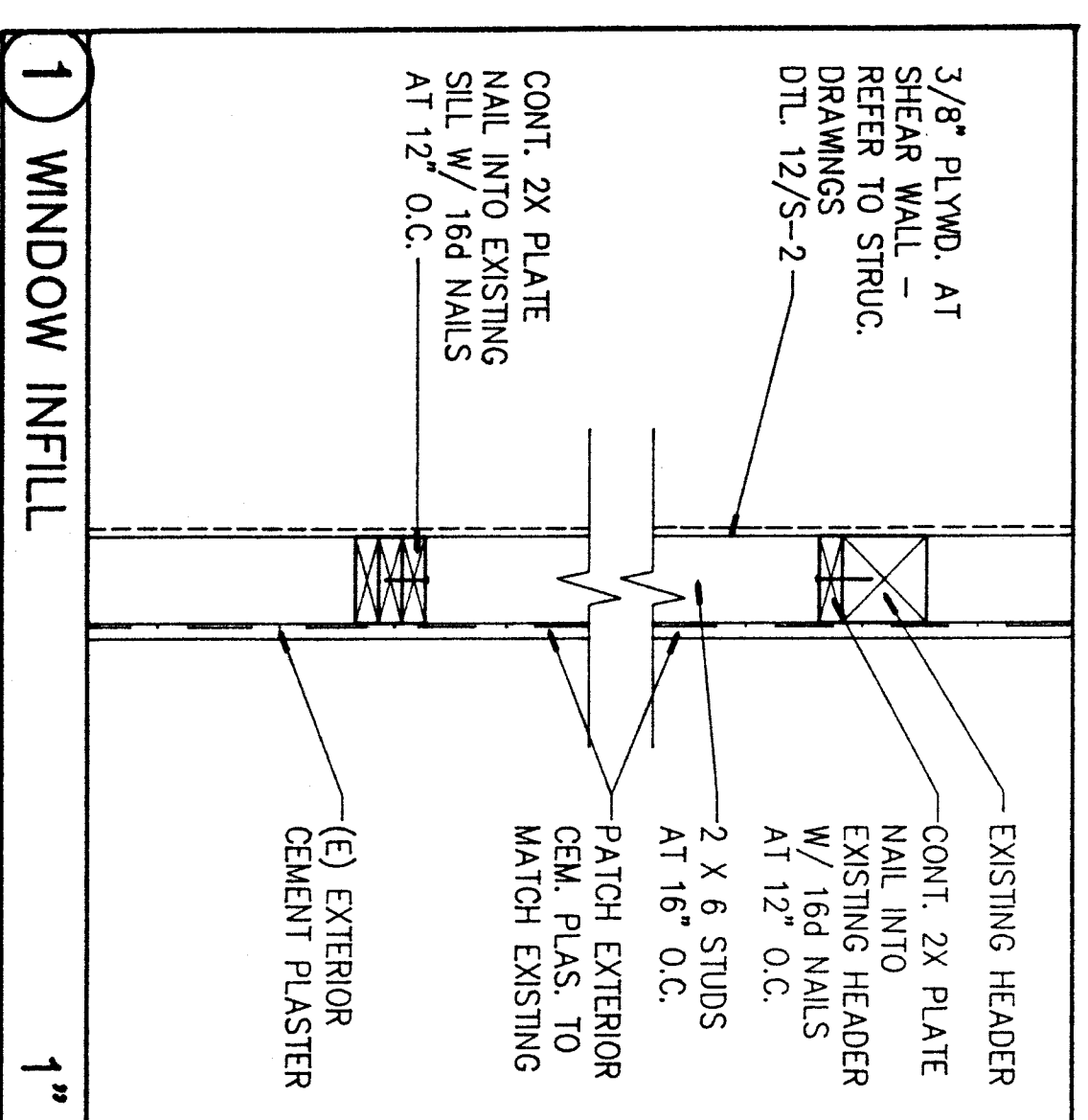
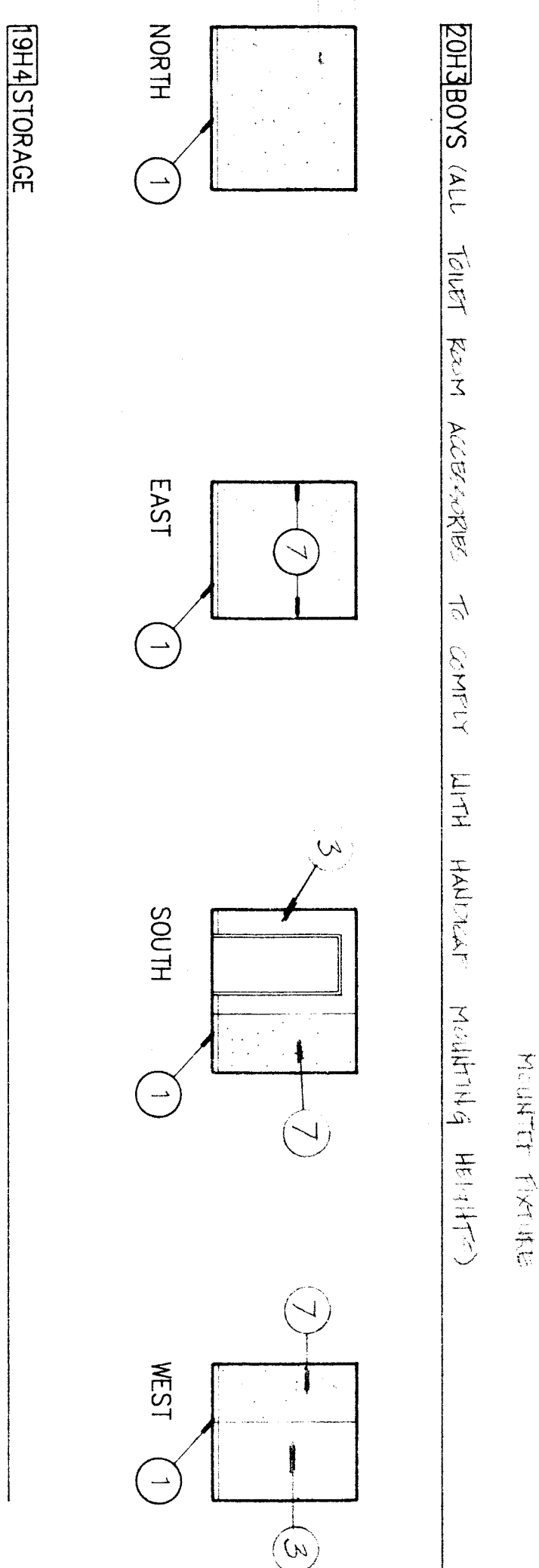
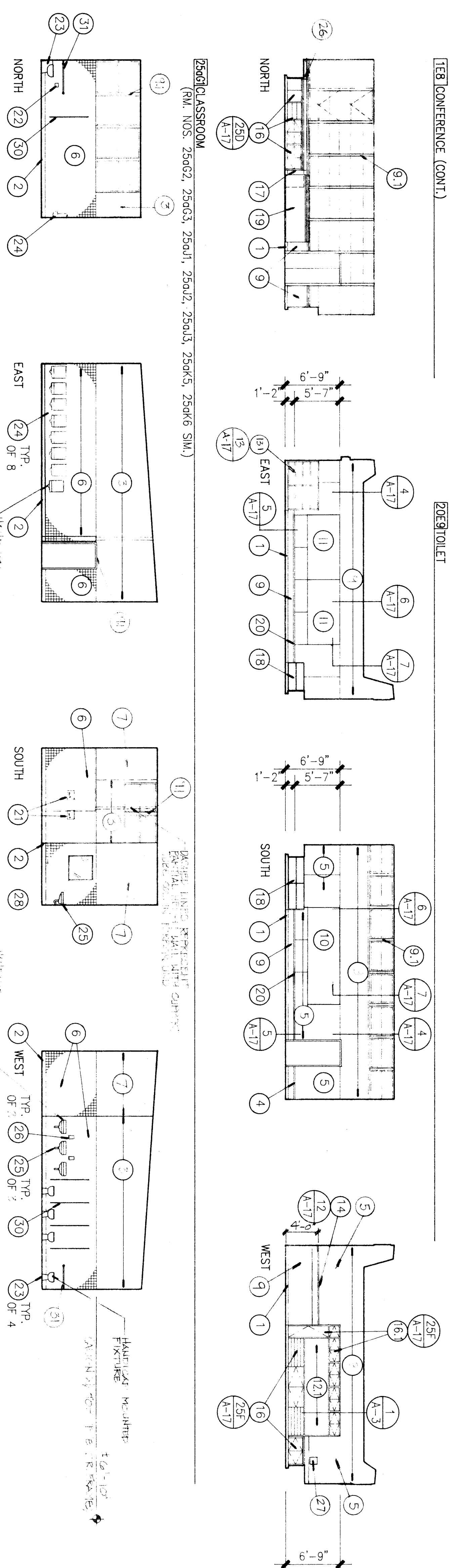
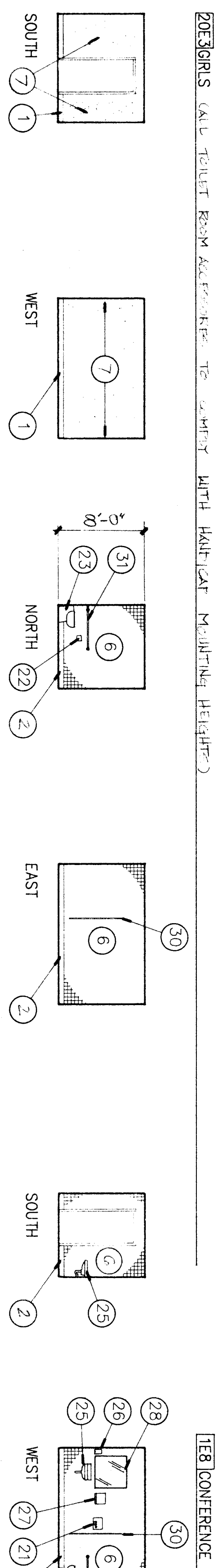
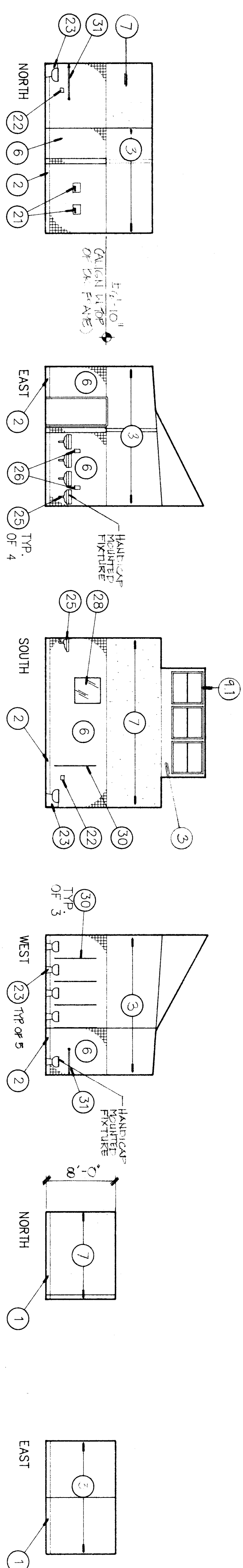
DATE CHECKED TYP

DATE DRAWN BY ES

SHEET NUMBER

INT. ELEVATION NOTES

- ALL NOTES IN THIS COLUMN ARE TO BE USED FOR INTERIOR FINISHES. DO NOT USE FOR EXTERIOR FINISHES. DIMENSIONS ON THE DRAWINGS SHALL BE DISREGARDED UNLESS OTHERWISE NOTED.
 - 4" RUBBER BASE (CARPET BASE AT CARPET)
 - 1" TYP. SET BACK AT VINYL FLOORING)
 - 6" COVERED CERAMIC TILE BASE
 - 4" X 8" CHALKBOARD
 - 4" X 10" CHALKBOARD
 - 4" X 8" CHALKBOARD
 - 4" X 12" CHALKBOARD
 - PROVIDE AND INSTALL VINYL PLASTIC IMPREGATED DOOR BOARD WITH ALUM. TRIM
 - PROVIDE AND INSTALL LAMINATE PLASTIC CABINET AND ADJUSTABLE SHELVES.
 - PROVIDE AND INSTALL LAMINATE PLASTIC SHELF WITH COAT HOOKS AND SUPPORTING BRACKETS.
 - REPAIR OR REPLACE EXISTING CABINET FRAMES, SHELVES, DRAWERS, CABINET (INSIDE AND OUT), AND PAINT ENTIRE CABINET (INSIDE AND OUT).
 - PROVIDE AND INSTALL LAMINATE PLASTIC SPLASH COUNTERTOPS OVER EXISTING FRAME.
 - PROVIDE AND INSTALL CABINET HARDWARE.
 - PROVIDE AND INSTALL LAMINATE PLASTIC DOORS AND DRAWER FACES WHERE THEY OCCUR.
 - REPAIR OR REPLACE EXISTING CABINET FRAMES, SHELVES, DRAWERS, CABINET (INSIDE AND OUT), AND PAINT ENTIRE CABINET (INSIDE AND OUT).
 - PROVIDE AND INSTALL LAMINATE PLASTIC COUNTERTOPS OVER EXISTING FRAME.
 - PROVIDE AND INSTALL LAMINATE PLASTIC DOORS AND DRAWER FACES WHERE THEY OCCUR.
 - REPAIR OR REPLACE EXISTING CABINET FRAMES, SHELVES, DRAWERS, CABINET (INSIDE AND OUT), AND PAINT ENTIRE CABINET (INSIDE AND OUT).
 - PROVIDE AND INSTALL LAMINATE PLASTIC DOORS AND DRAWER FACES WHERE THEY OCCUR.
 - REPAIR OR REPLACE EXISTING CABINET FRAMES, SHELVES, DRAWERS, CABINET (INSIDE AND OUT), AND PAINT ENTIRE CABINET (INSIDE AND OUT).
 - PORTION OF EXISTING CABINET TO BE REMOVED. FINISH WITH PAINTED CABINET END PANEL.
 - REPAIR OR REPLACE EXISTING CABINET FRAMES, SHELVES, DRAWERS, CABINET (INSIDE AND OUT), AND PAINT ENTIRE CABINET (INSIDE AND OUT).
 - UNIT VENTILATOR (REFER TO MECHANICAL PLANS)
 - ELECTRICAL PLUG STRIP (REFER TO ELEC. PLANS)
 - 201 HANDICAP LIFT (REFER TO ELECTRICAL PLANS)
 - ELECTRIC HAND DRYER
 - TOILET PAPER DISPENSER
 - TOILET (REFER TO PLUMBING PLANS)
 - URINAL (REFER TO PLUMBING PLANS)
 - LAVATORY (REFER TO PLUMBING PLANS)
 - SOAP DISPENSER
 - PAPER TOWEL DISPENSER
 - MIRROR
 - NAPKIN DISPOSAL
 - TOILET PARTITION
 - TOILET GRAB BAR
 - TOILET SEAT COVER DISPENSER
- NOTE:
REFER TO DETAIL 1/A-5 FOR TYPICAL DIMENSIONS AND MOUNTING HEIGHTS FOR FIXTURES AND ACCESSORIES.



INTERIOR ELEVATIONS

NOTE: (REFER TO MECHANICAL DRAWINGS FOR LOCATION AND DETAIL OF BAROMETRIC RELIEF VENTS)

1/8"

