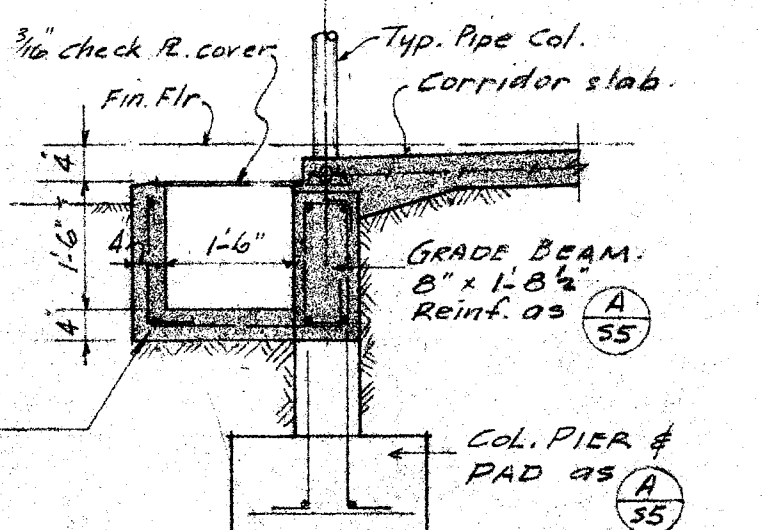
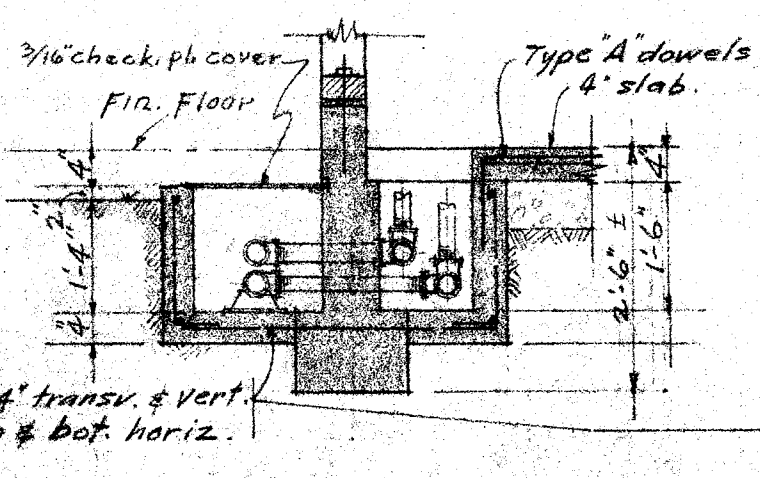
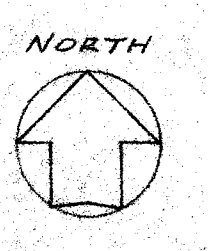
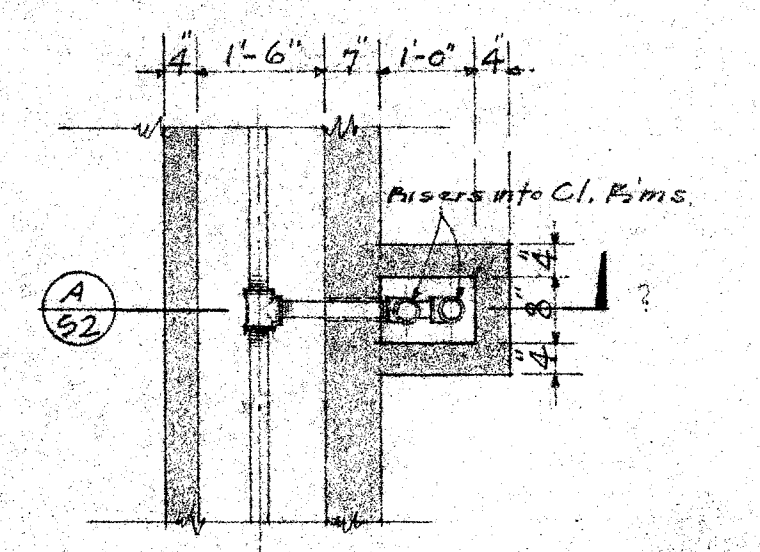


FOUNDATION PLAN CLASSROOMS #1 THRU. #8.  
SCALE = 1/8" = 1'-0"

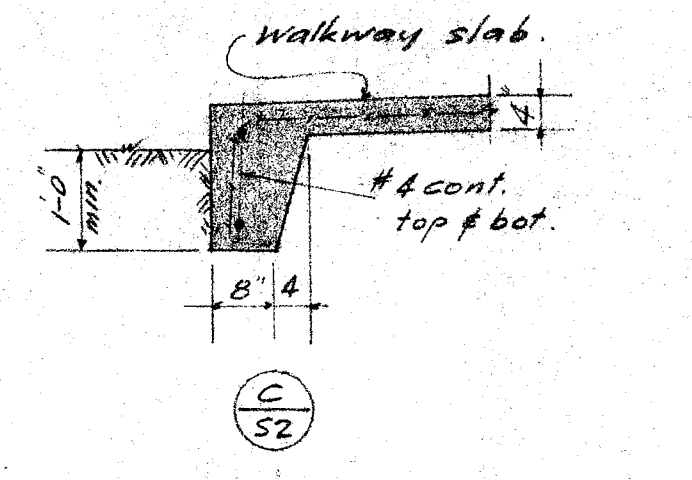


-SECTION - WATER PIPE TRENCH-

WATER PIPE TRENCH AT CORRIDOR BEAM.



-PLAN - ACCESS TO P.D.O.M. -  
SCALE = 1/2" = 1'-0"



NOTES: REFER & CHECK WITH ARCHITECTURAL DRAWINGS FOR VARIOUS SLOPES, DROPPED SLABS, CURBS, STEPS, WALKS, DRAINS ETC. & DIMENSIONS NOT SHOWN.

All 4" concrete slabs on earth to be reinforced with 6" x 6" #10-#10 E.W. Mesh in center of slab.

C.B. Alford

<p>DIVISION OF SCHOOL HOUSE PLANNING</p> <p>NOTE: CONTRACTOR IS TO VERIFY ALL DIMENSIONS ON THE WORK. THIS DRAWING IS THE PROPERTY OF THE ARCHITECT AND MUST BE RETURNED ON COMPLETION OF THE CONTRACT.</p>	<p>STATE OF CALIFORNIA - DEPARTMENT OF PUBLIC WORKS DIVISION OF ARCHITECTURE</p> <p>APPROVED NOV 6 - 1953</p> <p>11380 <i>James M. [Signature]</i></p>	<p>COUNTY SUPERINTENDENT OF SCHOOLS</p>	<p>BOARD OF TRUSTEES FINAL APPROVAL</p> <p><i>[Signature]</i></p> <p><i>Virginia C. Ballinger</i></p>	<p>HILLMAN &amp; NOWELL STRUCTURAL ENGINEERS ARCHITECTS BUILDING, LOS ANGELES 17</p> <p><i>Lawrence Hillman</i></p>	<p>FRANKLIN SCHOOL ADDITION BAKERSFIELD CITY SCHOOL DISTRICT BAKERSFIELD CALIFORNIA</p>	<p>C. B. ALFORD • ARCHITECT • W. J. THOMAS 602 HABERFELDE BUILDING BAKERSFIELD CALIFORNIA PHONE 2-1302</p>
---	--	---	---	---	---	--