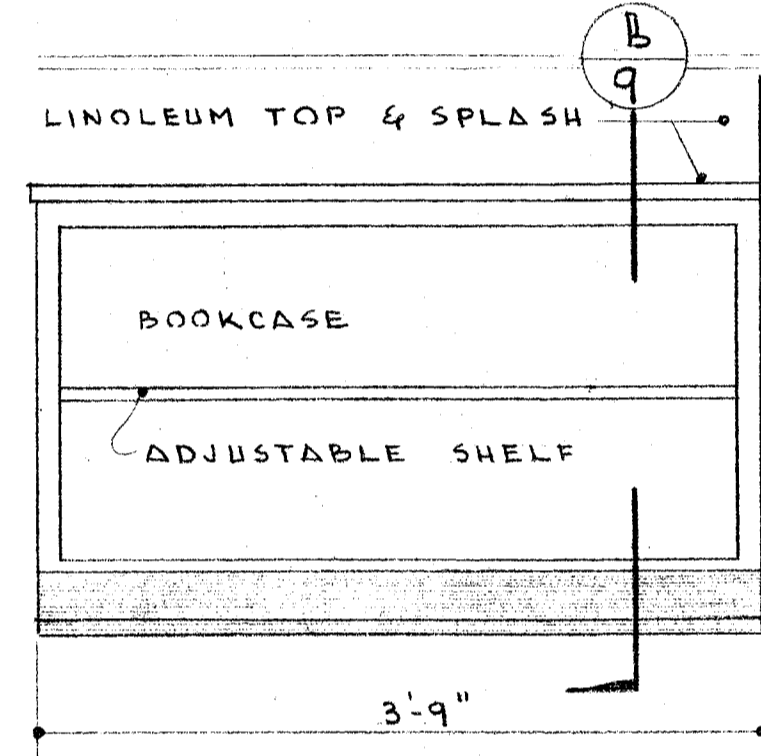
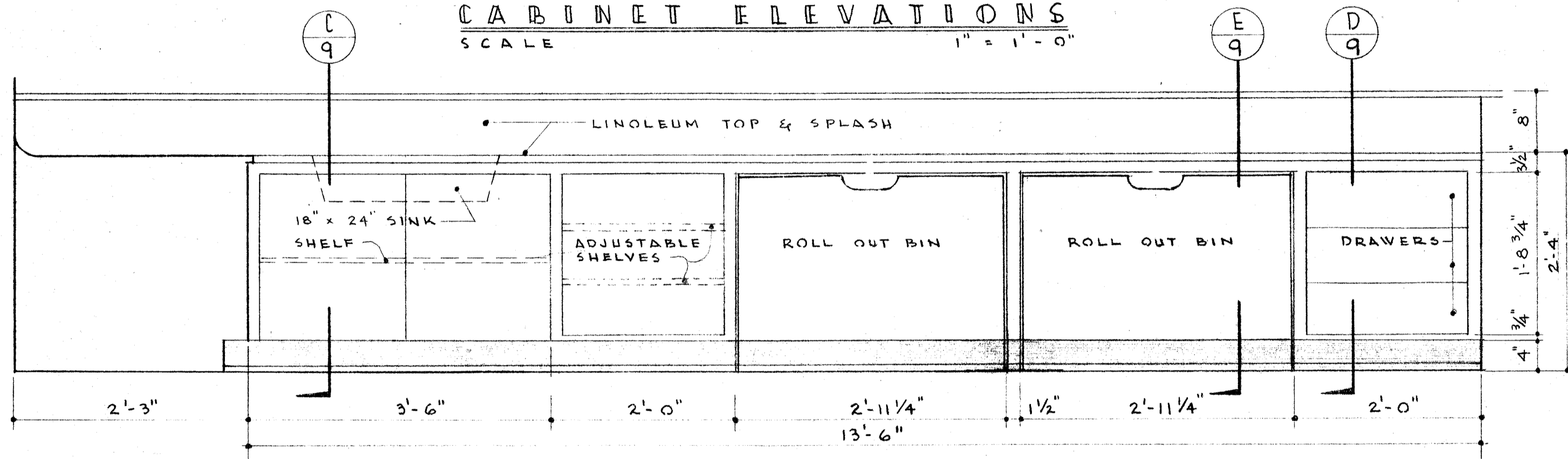
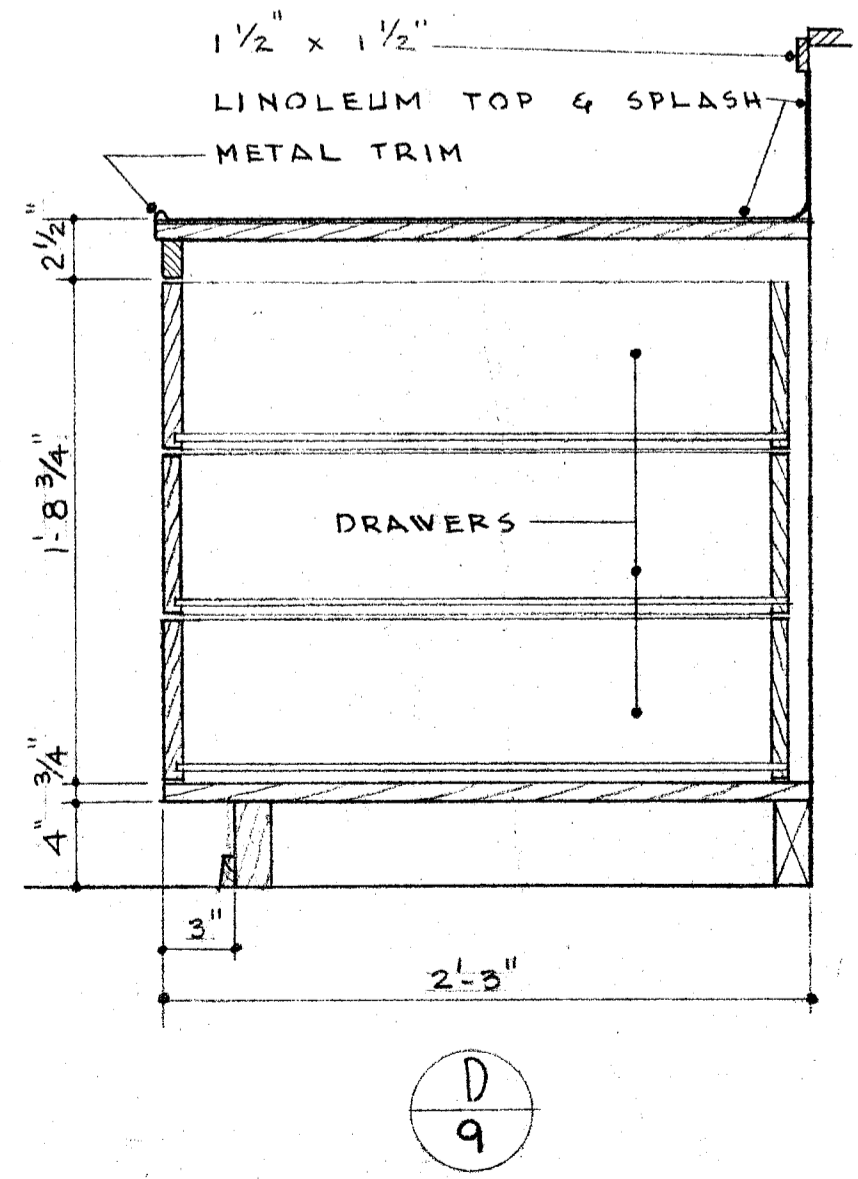
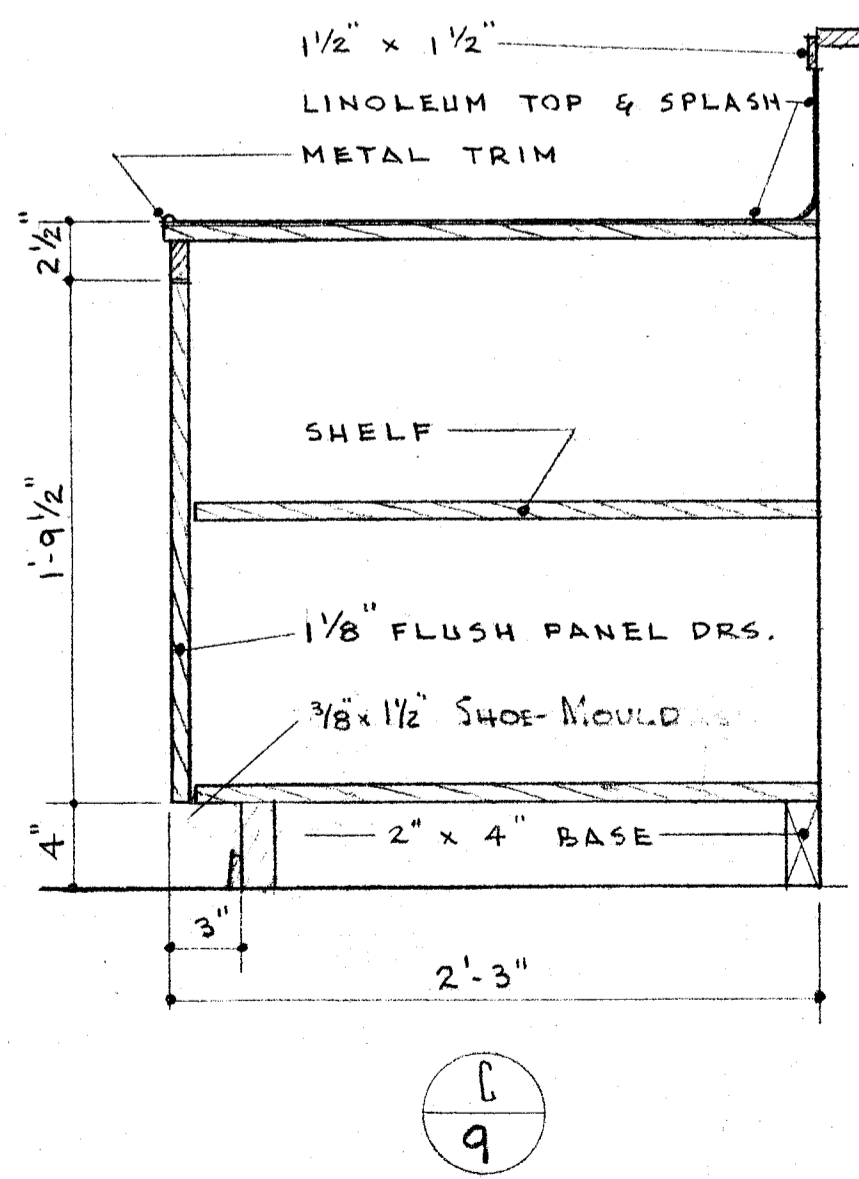
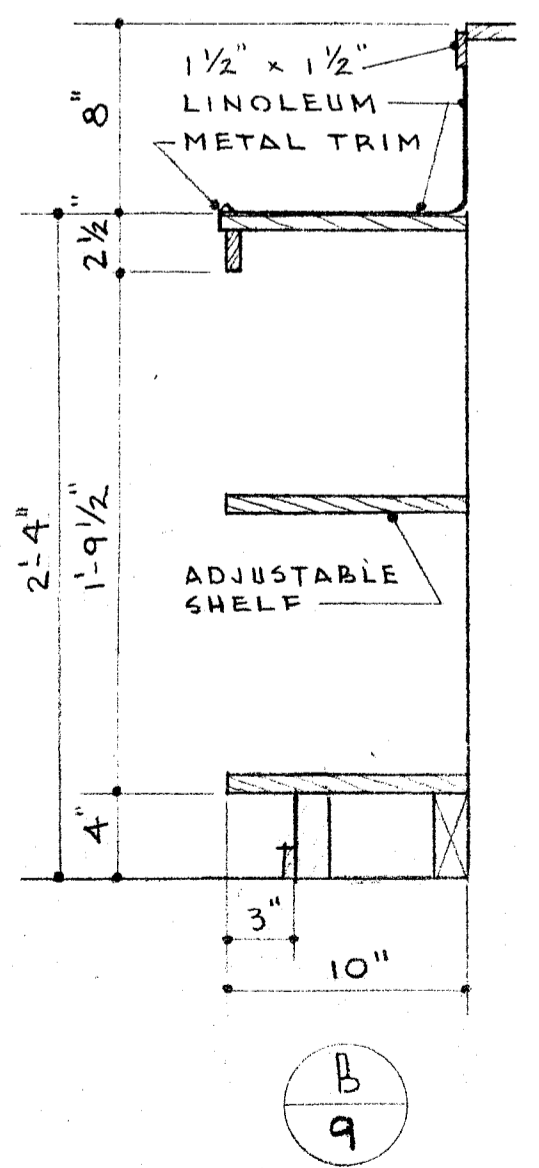
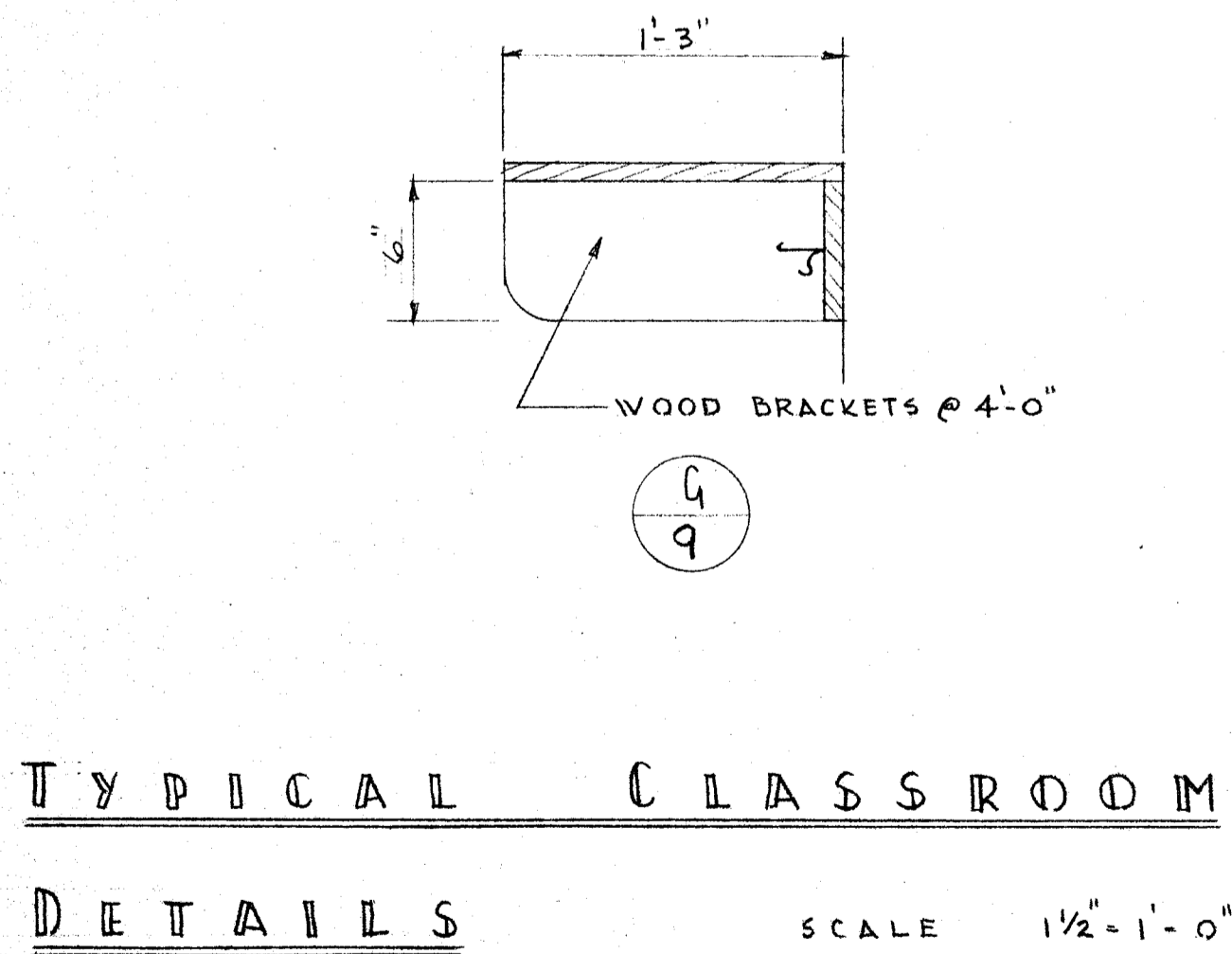
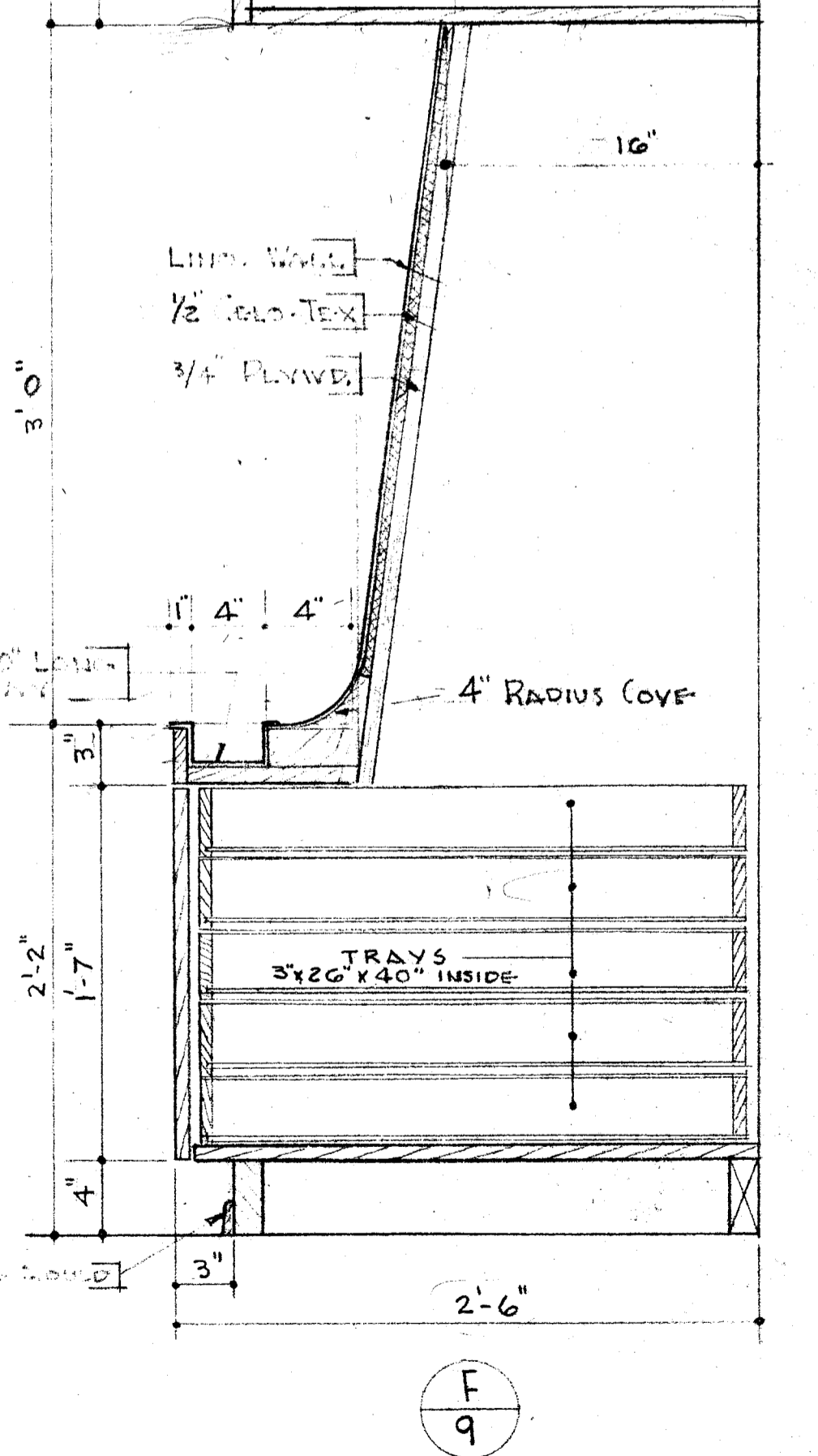
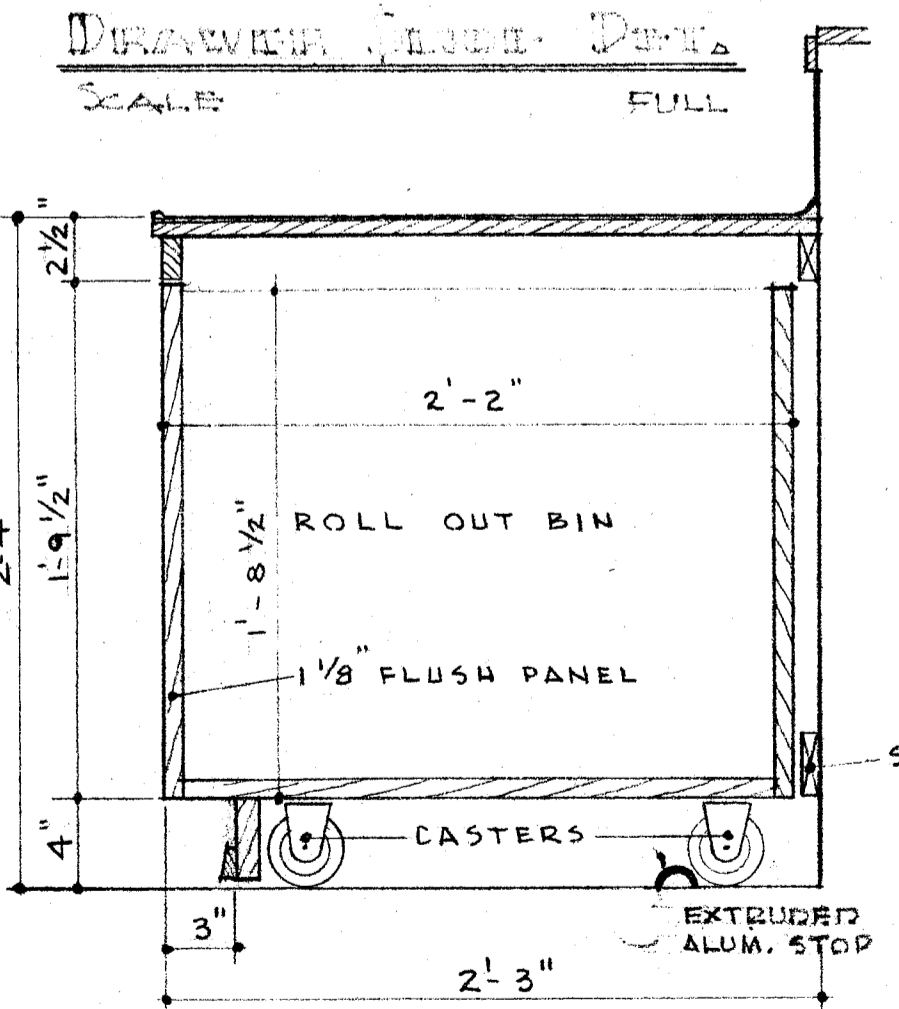
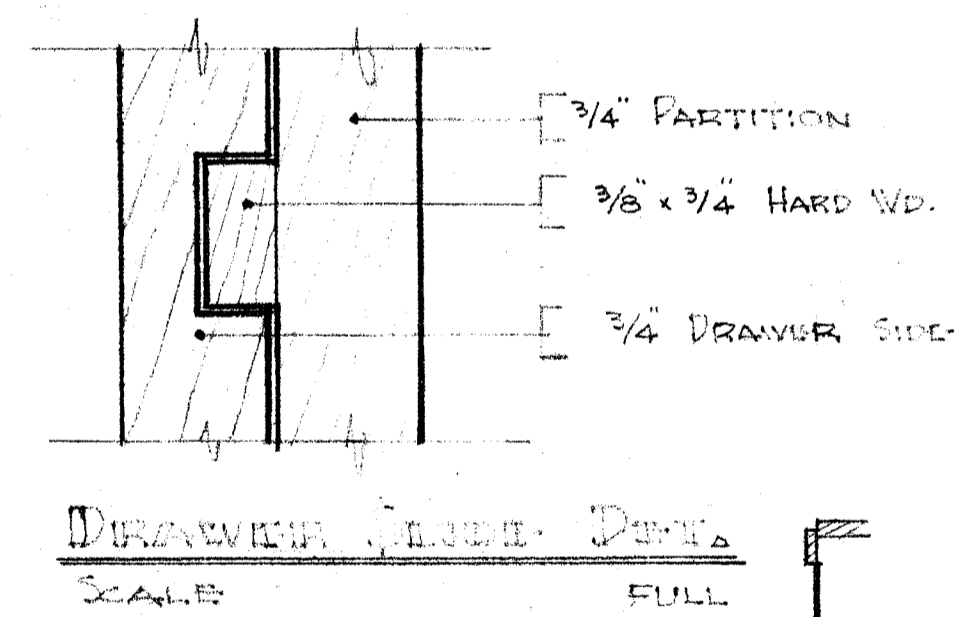


CABINET ELEVATIONS  
SCALE 1" = 1'-0"



CABINET ELEVATIONS  
SCALE 1" = 1'-0"



TYPICAL CLASSROOM  
DETAILS

SCALE 1/2" = 1'-0"

NOTE: CONTRACTOR IS TO VERIFY ALL DIMENSIONS ON THE WORK. THIS DRAWING IS THE PROPERTY OF THE ARCHITECT AND MUST BE RETURNED ON COMPLETION OF THE CONTRACT.

DIVISION OF SCHOOL HOUSE PLANNING

STATE OF CALIFORNIA - DEPARTMENT OF PUBLIC WORKS  
DIVISION OF ARCHITECTURE  
APPROVED NOV 6 - 1953  
11380  
*Henry M. Patton*  
REGISTERED ARCHITECT

COUNTY SUPERINTENDENT OF SCHOOLS

BOARD OF TRUSTEES FINAL APPROVAL  
*[Signature]*  
*[Signature]*

FRANKLIN SCHOOL ADDITION  
BAKERSFIELD CITY SCHOOL DISTRICT  
BAKERSFIELD CALIFORNIA

*P.B. [Signature]*  
B. B. ALFORD • ARCHITECT • W. J. THOMAS  
602 HABERFELDE BUILDING - PHONE 2-1302  
BAKERSFIELD CALIFORNIA

SHEET No.

A 9