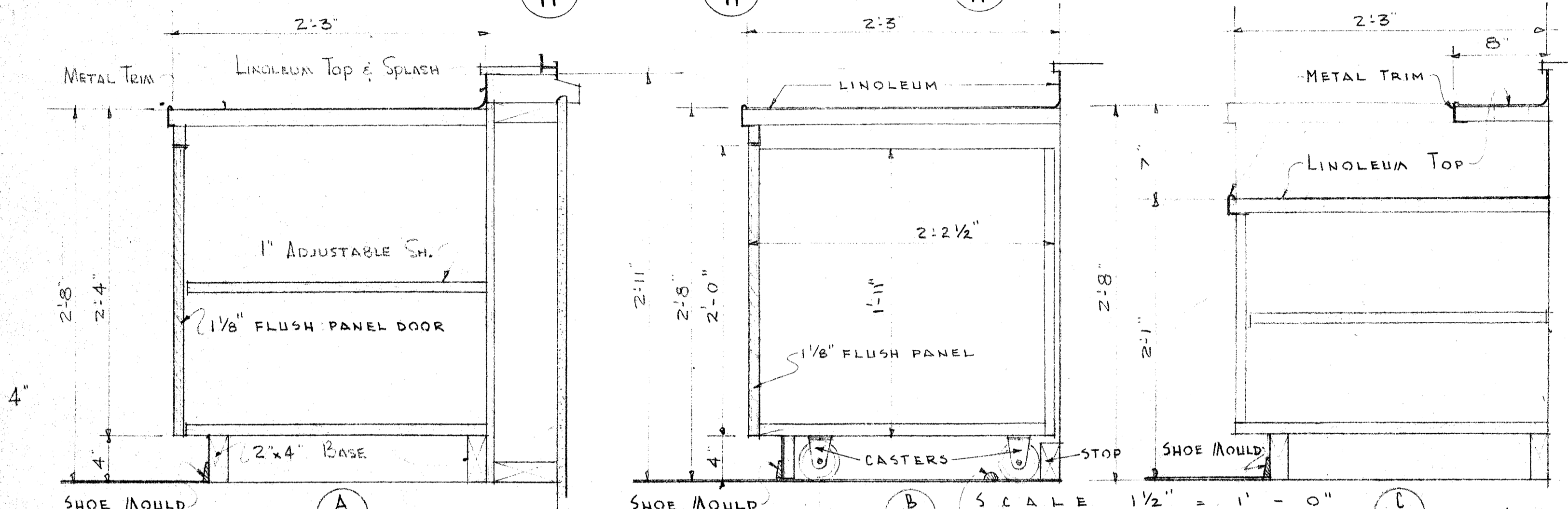
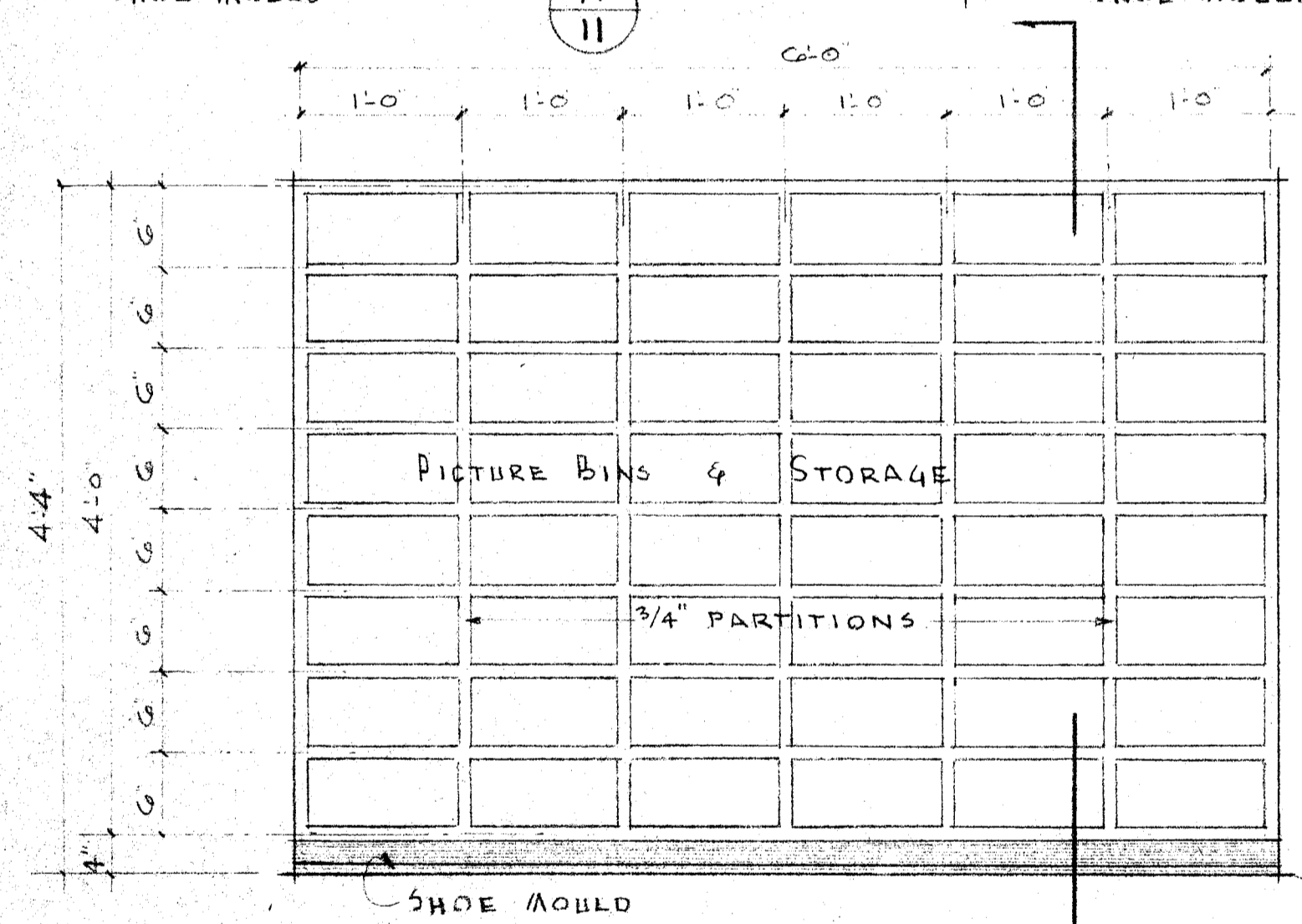
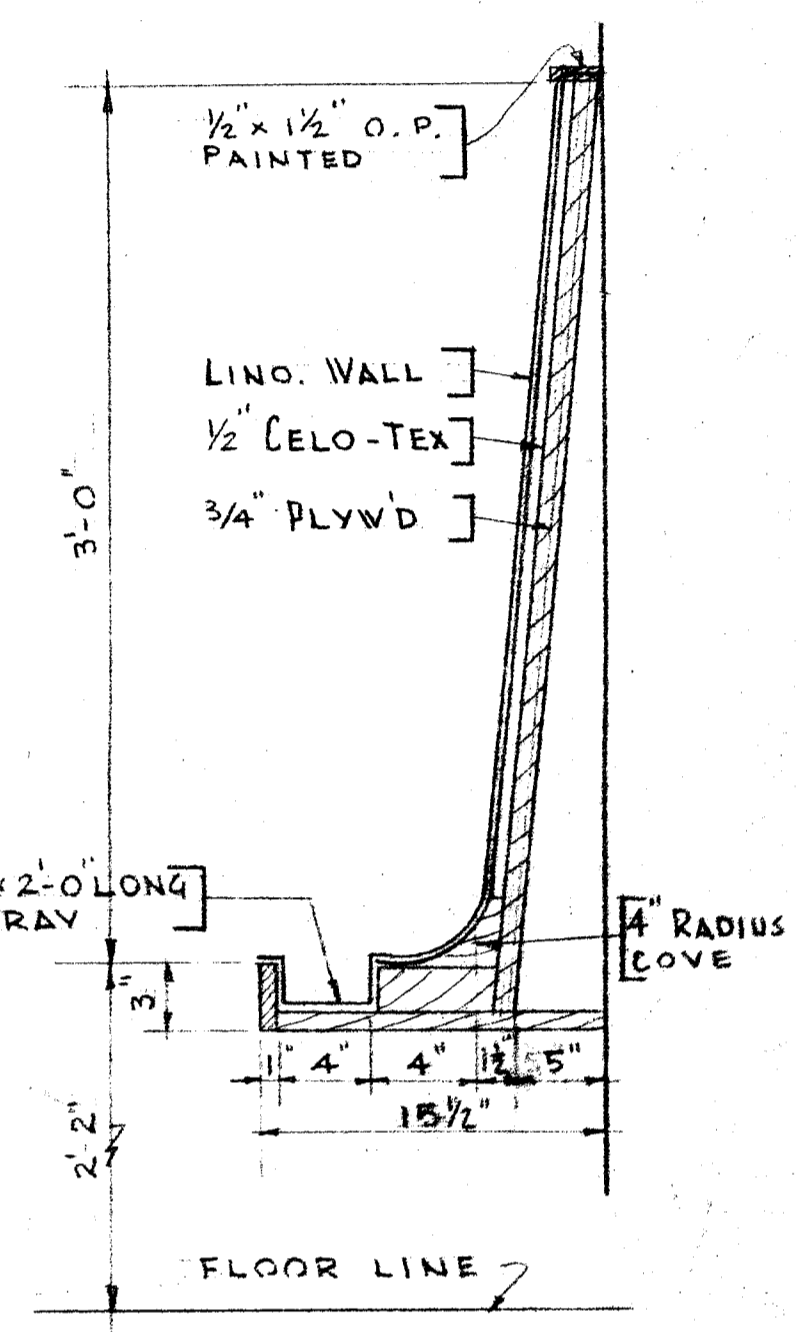
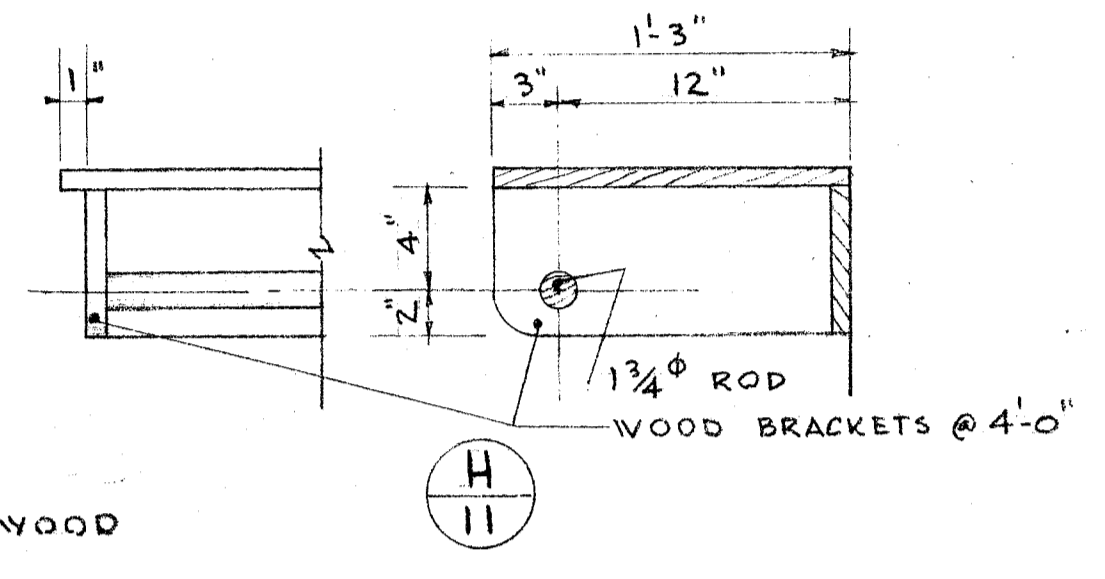


CABINET ELEVATIONS
SCALE 1" = 1'-0"

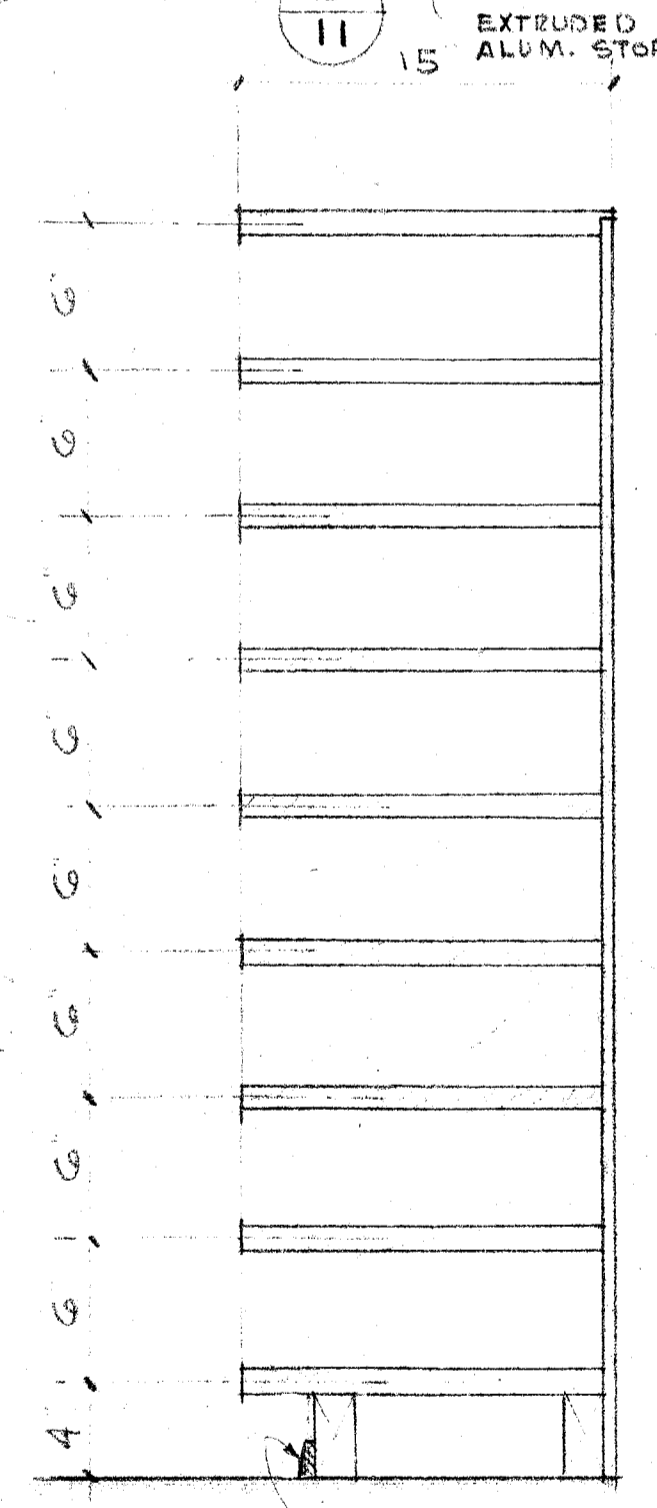


TYPICAL CABINET DOOR DETAIL
SCALE FULL SIZE

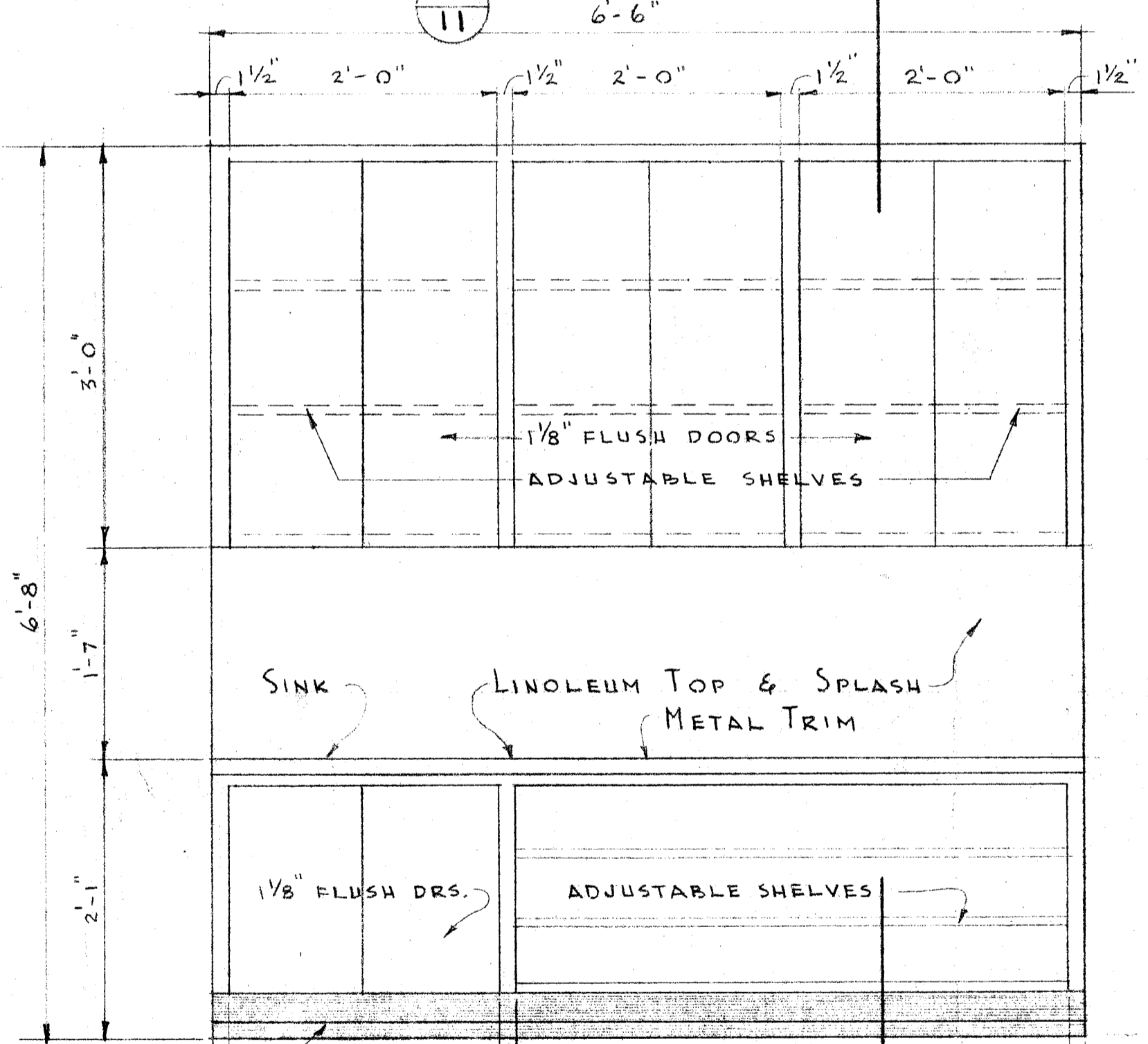


SCALE 1" = 1'-0"

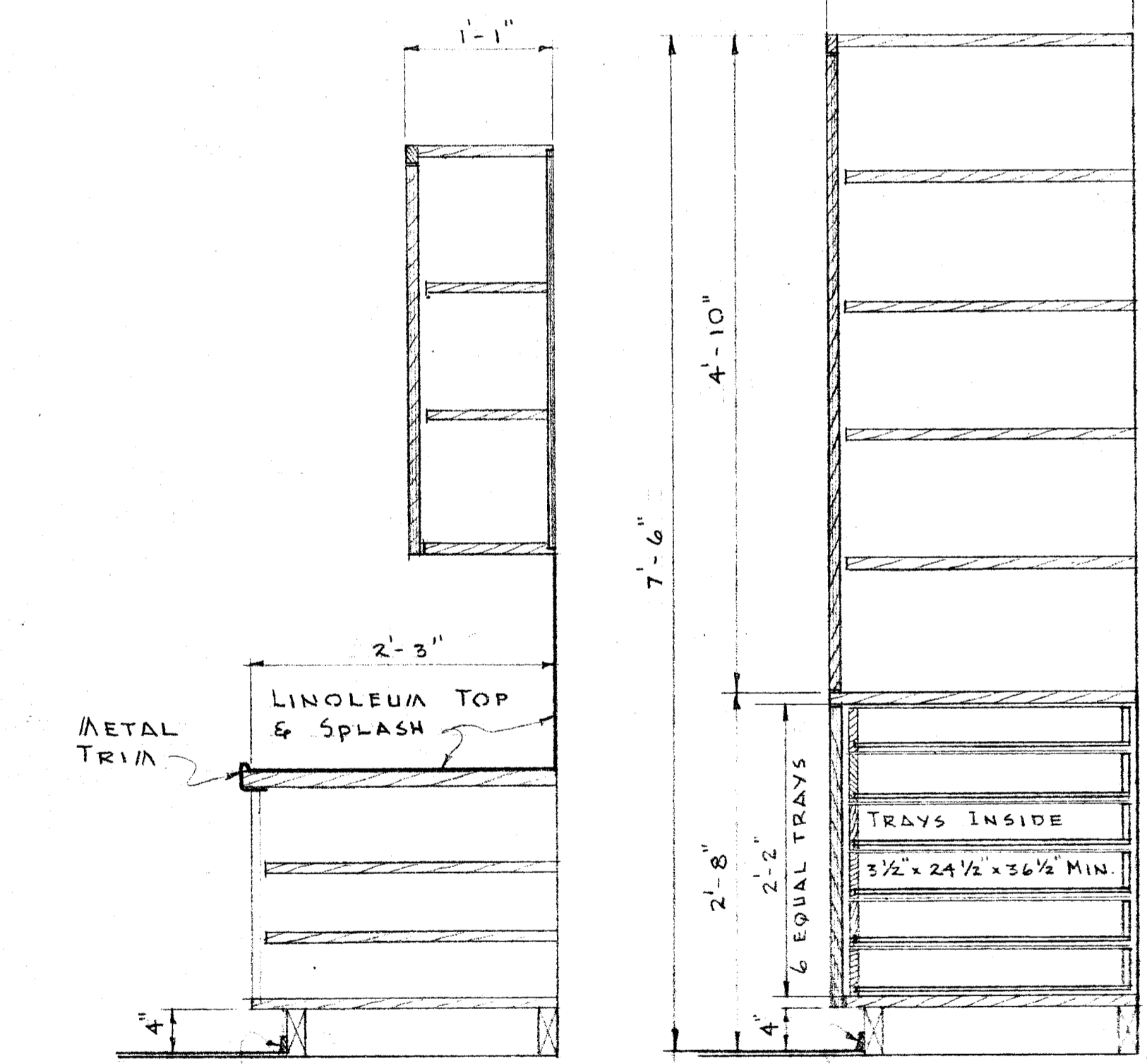
NOTE: TO BE MOVABLE



SCALE 1/2" = 1'-0"

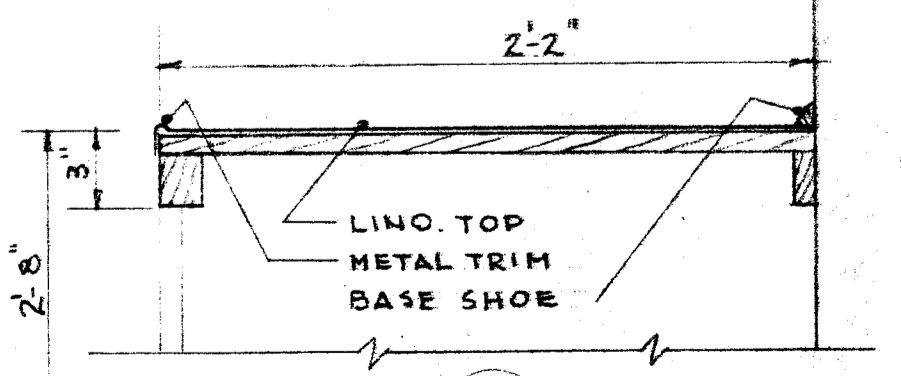
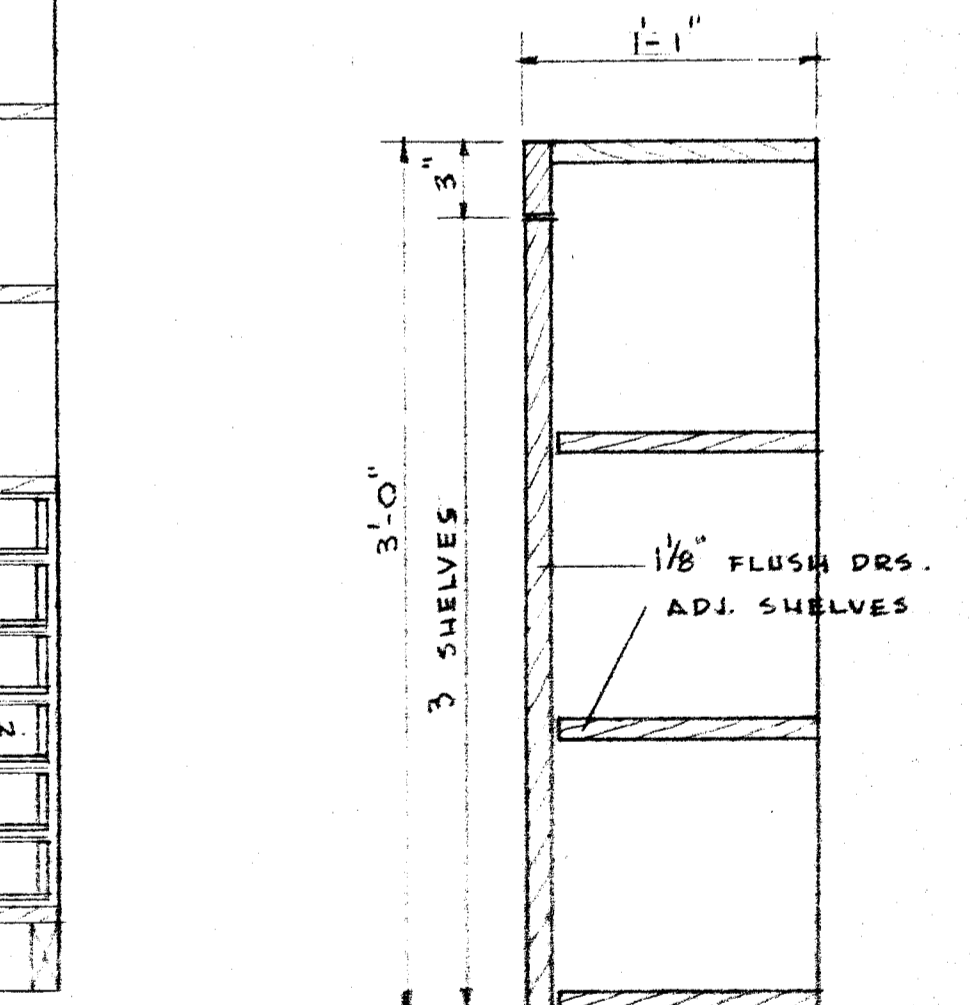


CABINET ELEVATION
SCALE 1" = 1'-0"



CABINET SECTIONS
SCALE 1" = 1'-0"

NOTE: HIGH SHELVES & CABINETS TO BE SECURELY FASTENED TO WALL FRAMING.



K I N D E R G A R T E N D E T A I L S