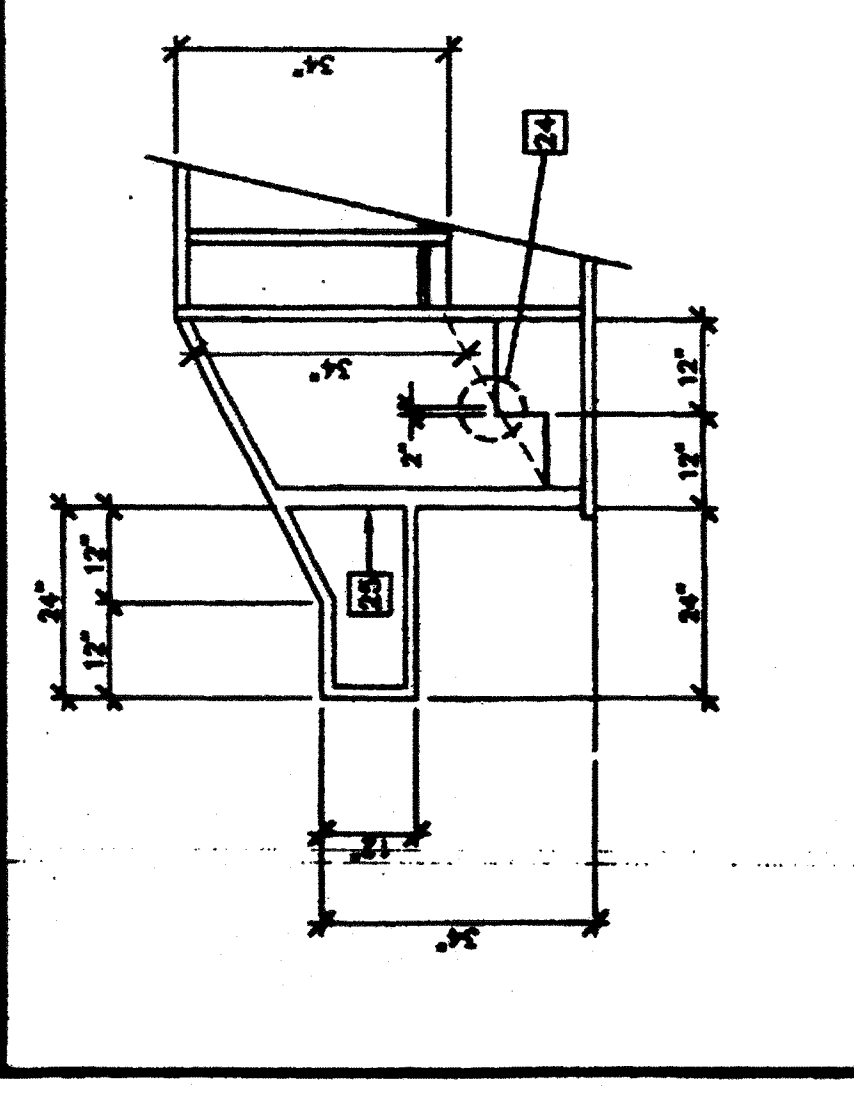
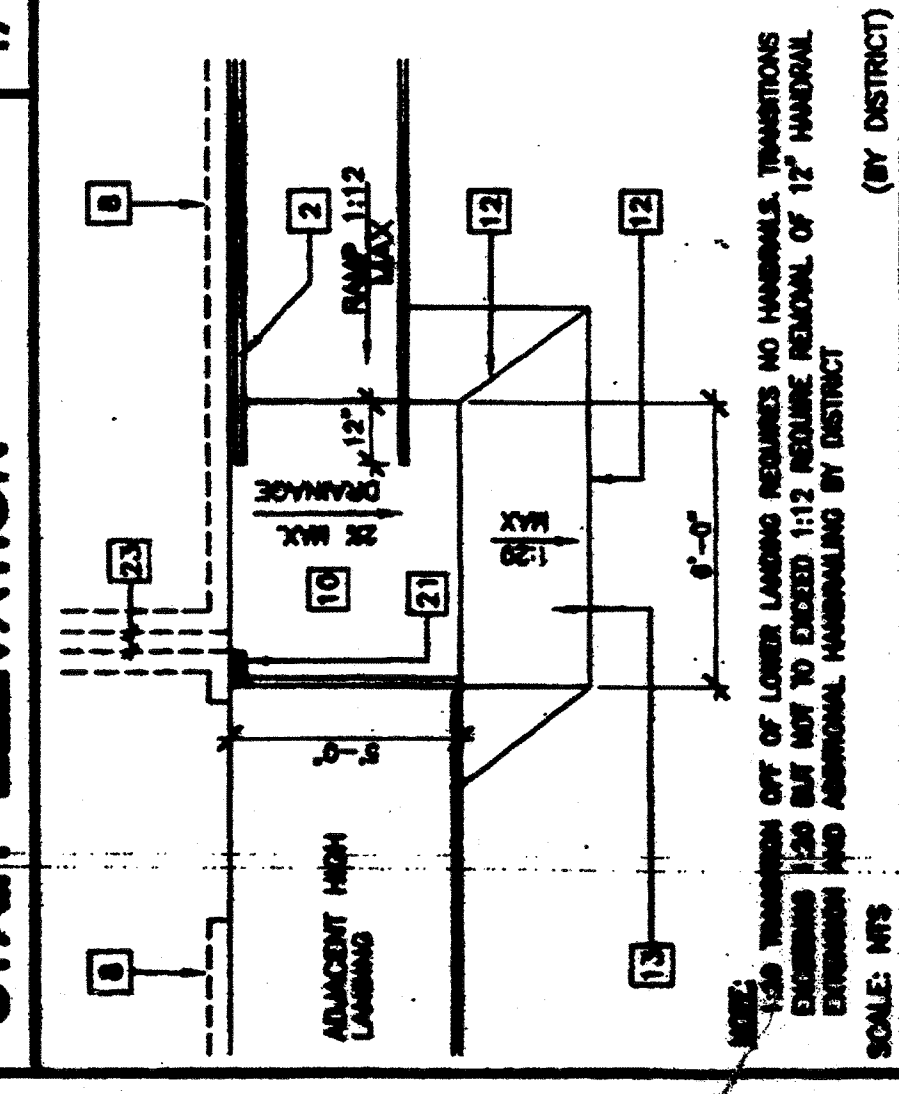


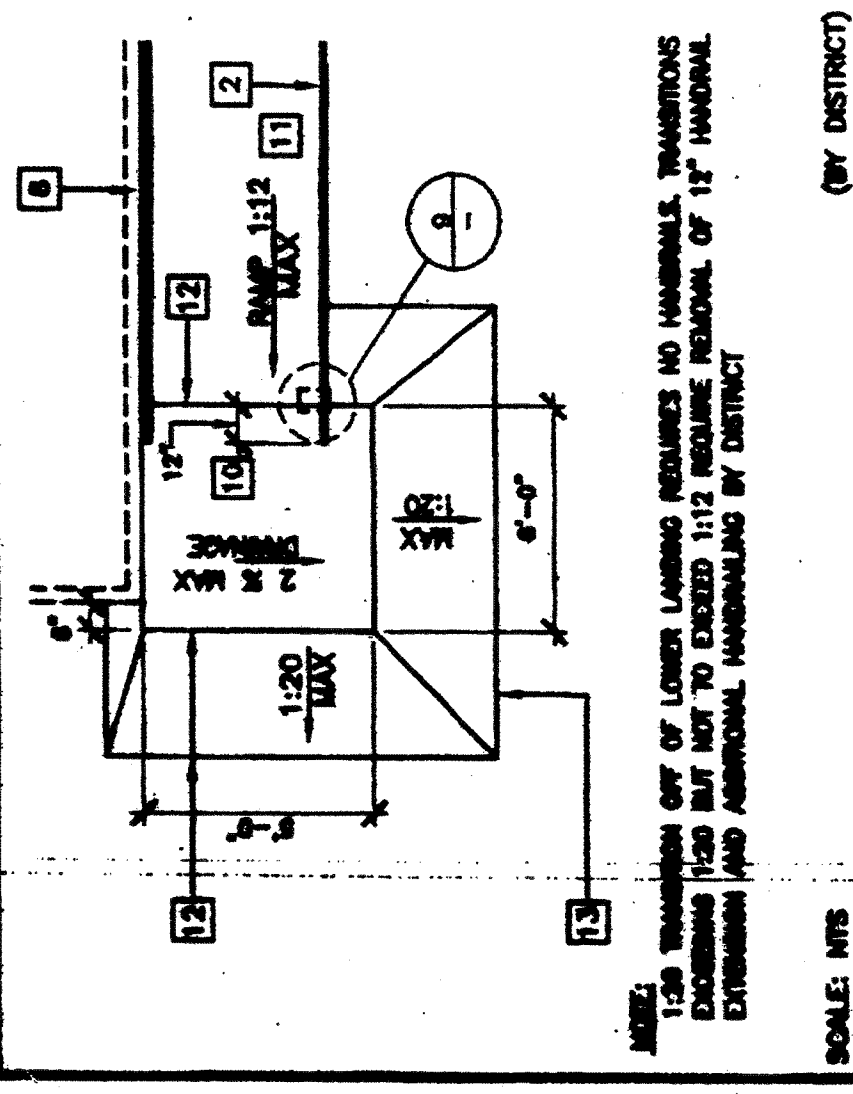
STAR SECTION
SCALE: 1/2"=1'-0"
(OPTIONAL)



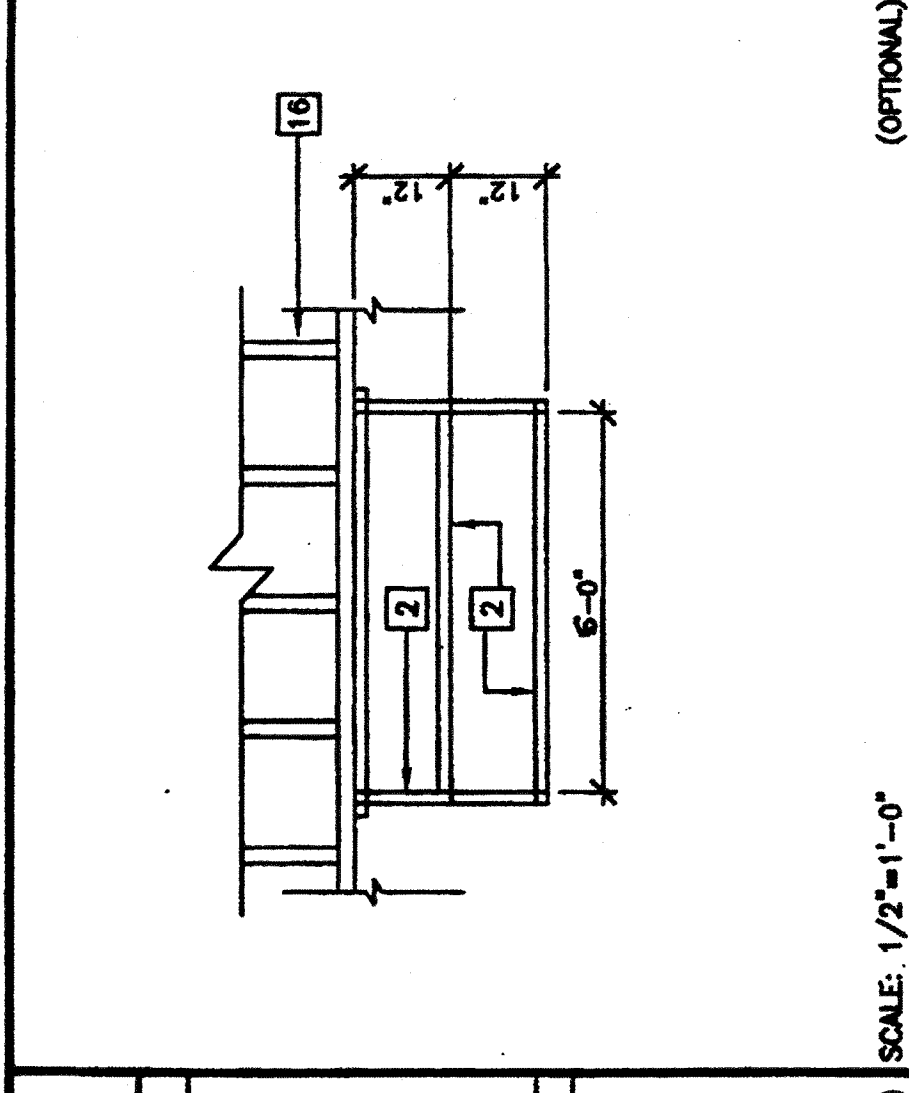
STAR ELEVATION
SCALE: 1/2"=1'-0"
(OPTIONAL)



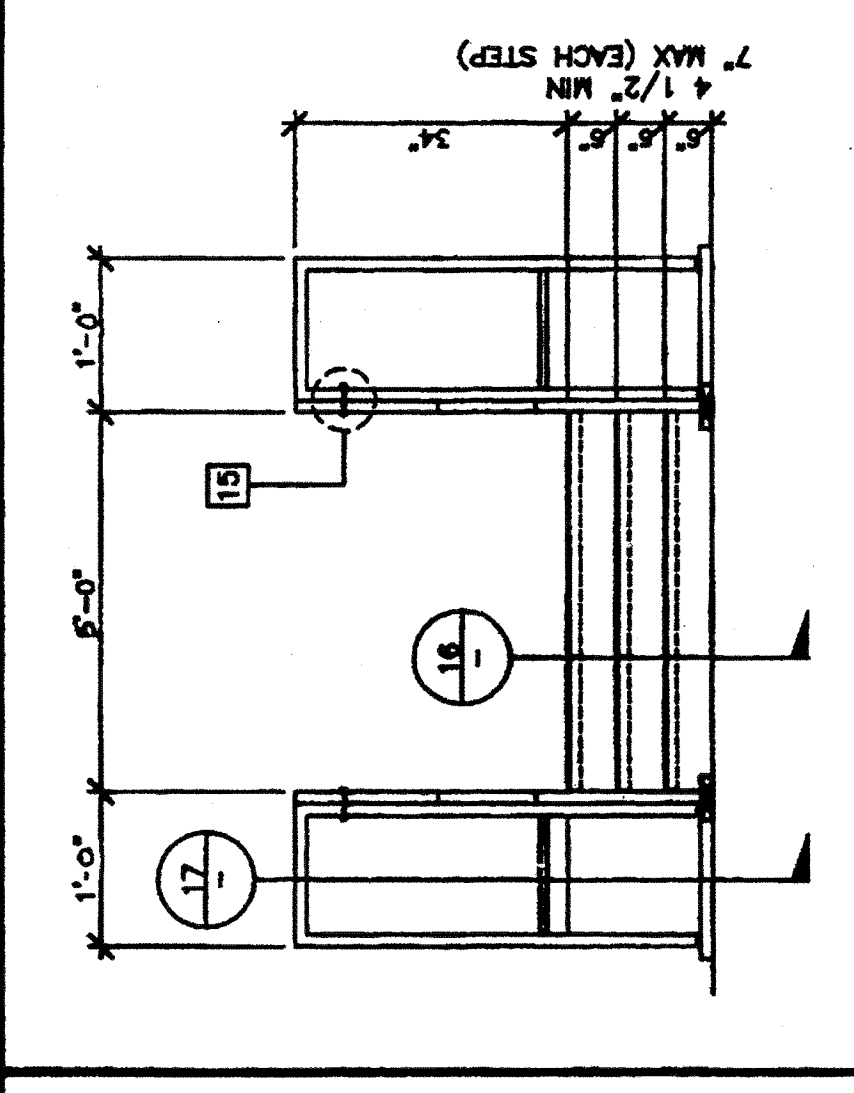
RAMP TRANSITION
SCALE: NTS
(BY DISTRICT)



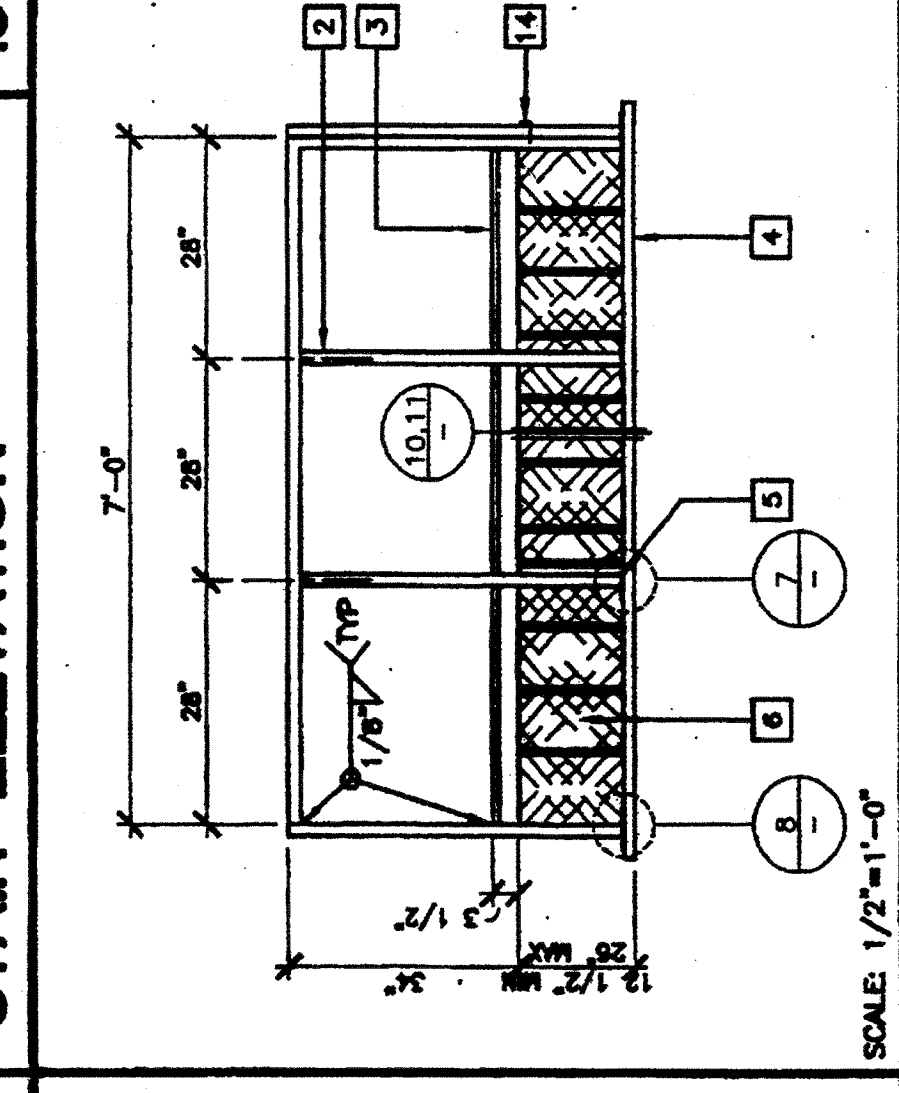
RAMP TRANSITION
SCALE: NTS
(BY DISTRICT)



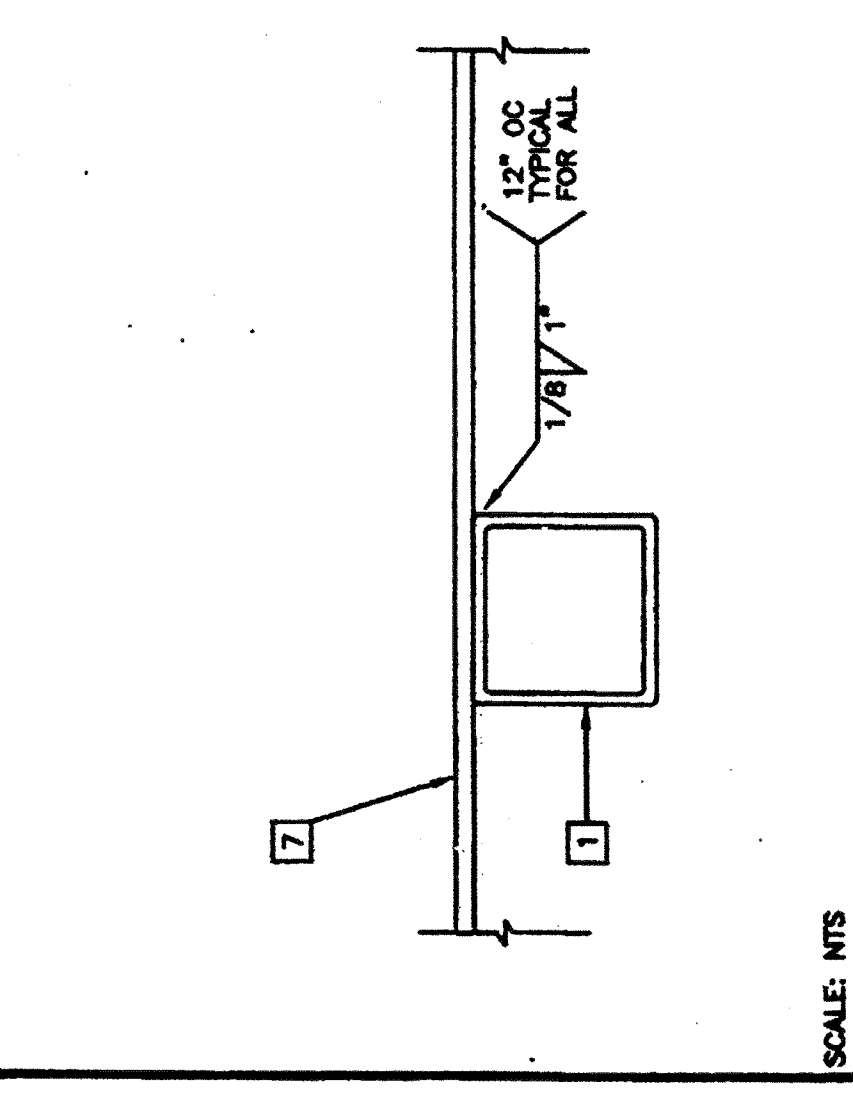
STAR FRAMING PLAN
SCALE: 1/2"=1'-0"
(OPTIONAL)



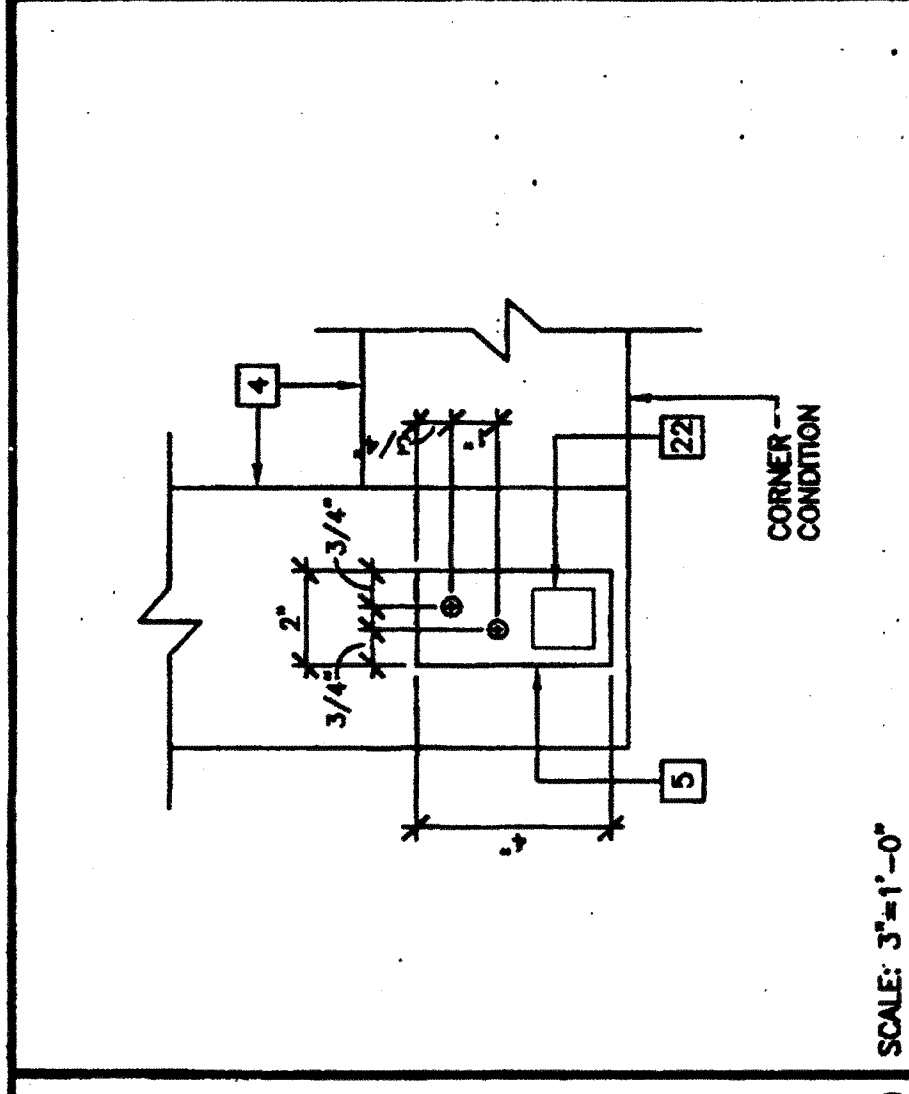
STAR ELEVATION
SCALE: 1/2"=1'-0"
(OPTIONAL)



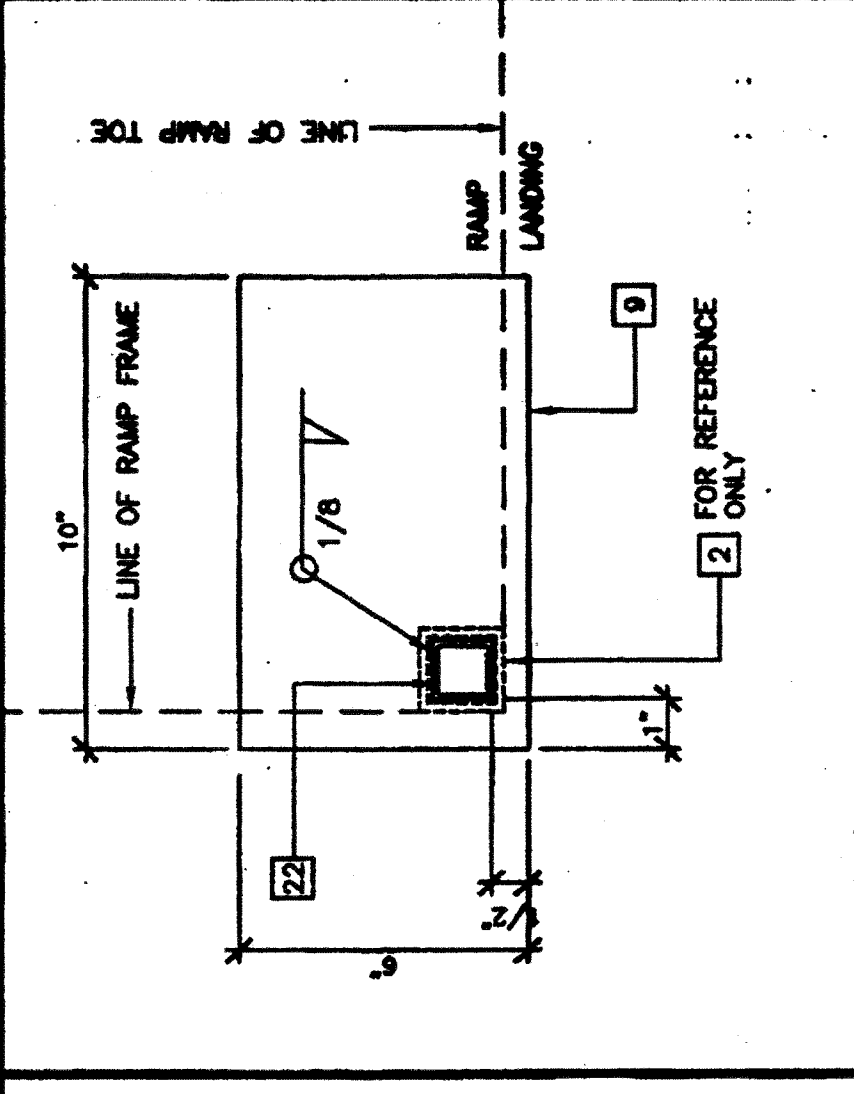
LANDING ELEVATION
SCALE: 1/2"=1'-0"
(BY DISTRICT)



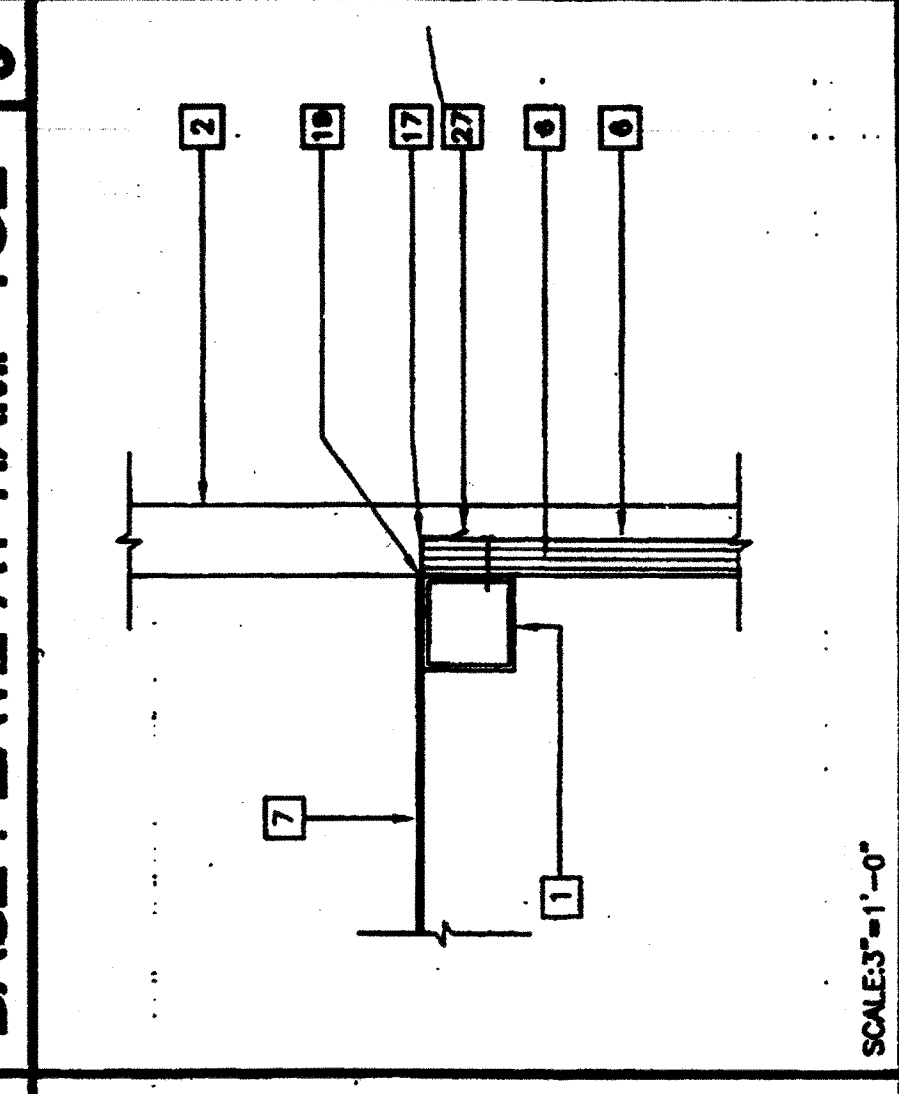
SECTION AT INTERIOR FRAME
SCALE: NTS
(BY DISTRICT)



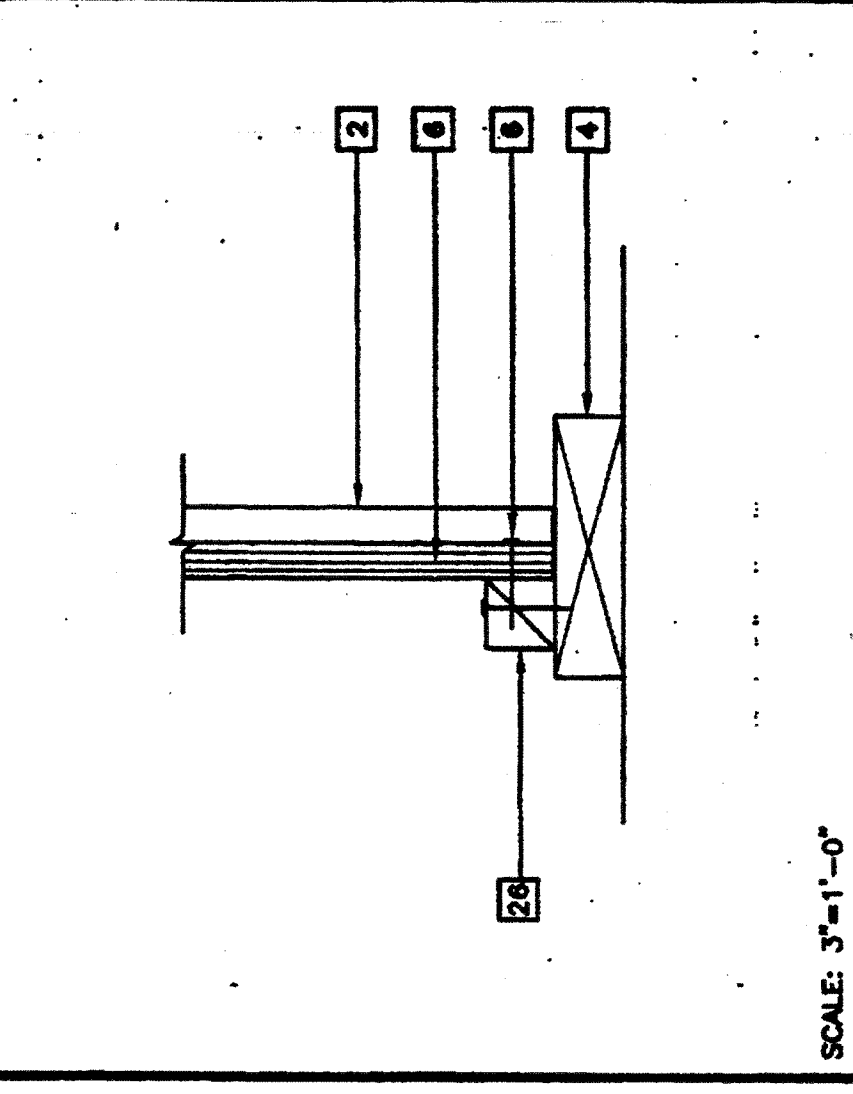
ADJUSTABLE LEG BASE PLATE
SCALE: 3/4"=1'-0"
(OPTIONAL)



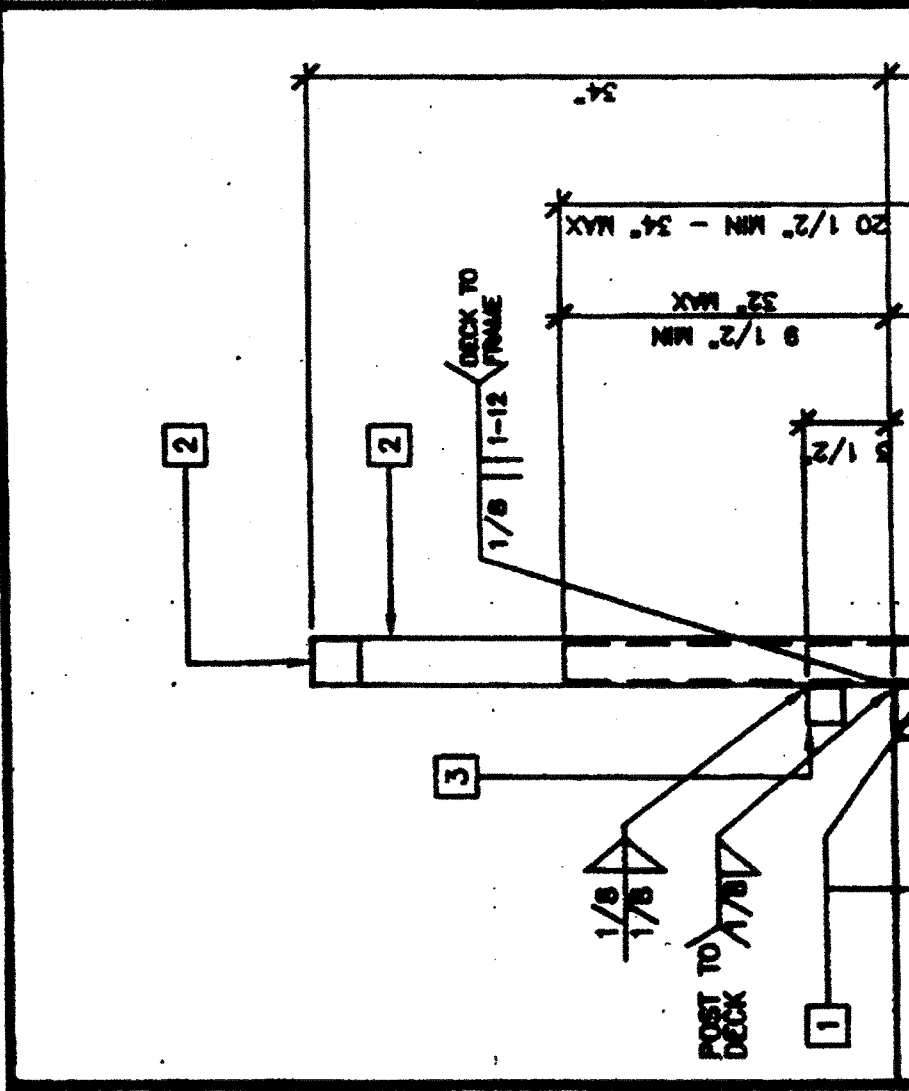
ADJUSTABLE LEG BASE PLATE
SCALE: 3/4"=1'-0"
(OPTIONAL)



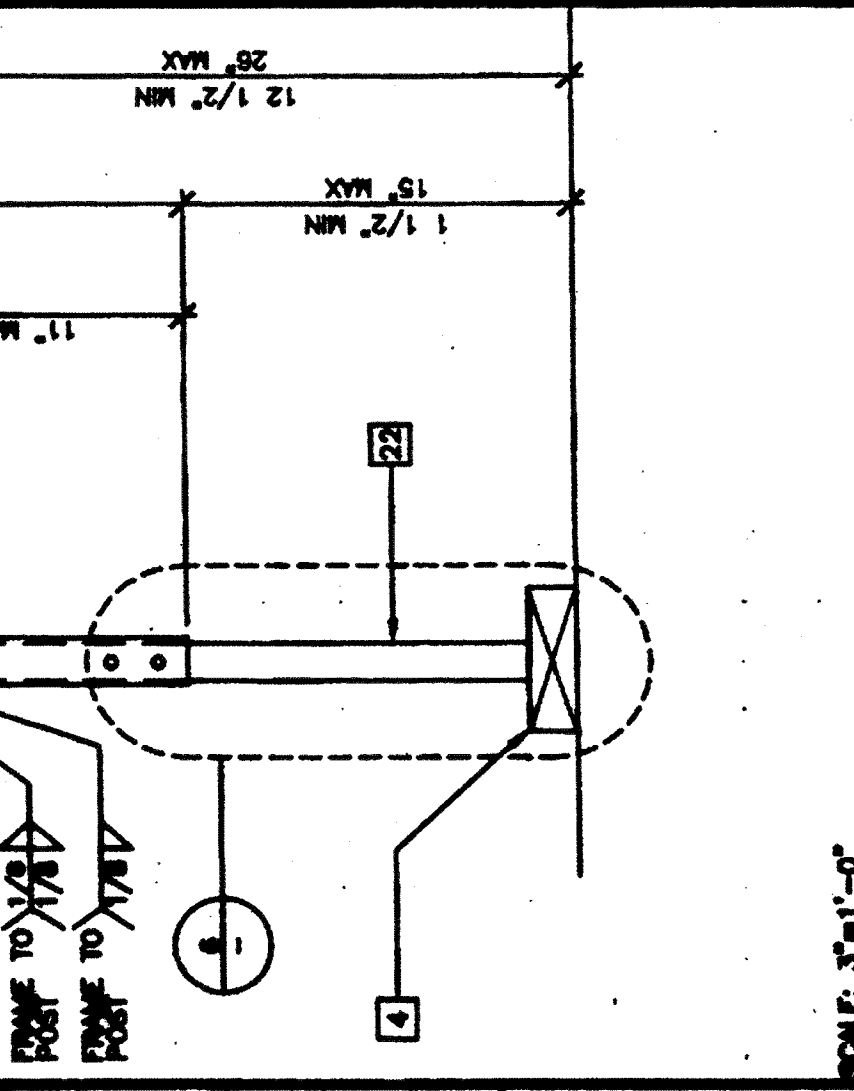
SKIRT FLASHING
SCALE: 3/4"=1'-0"
(BY DISTRICT)



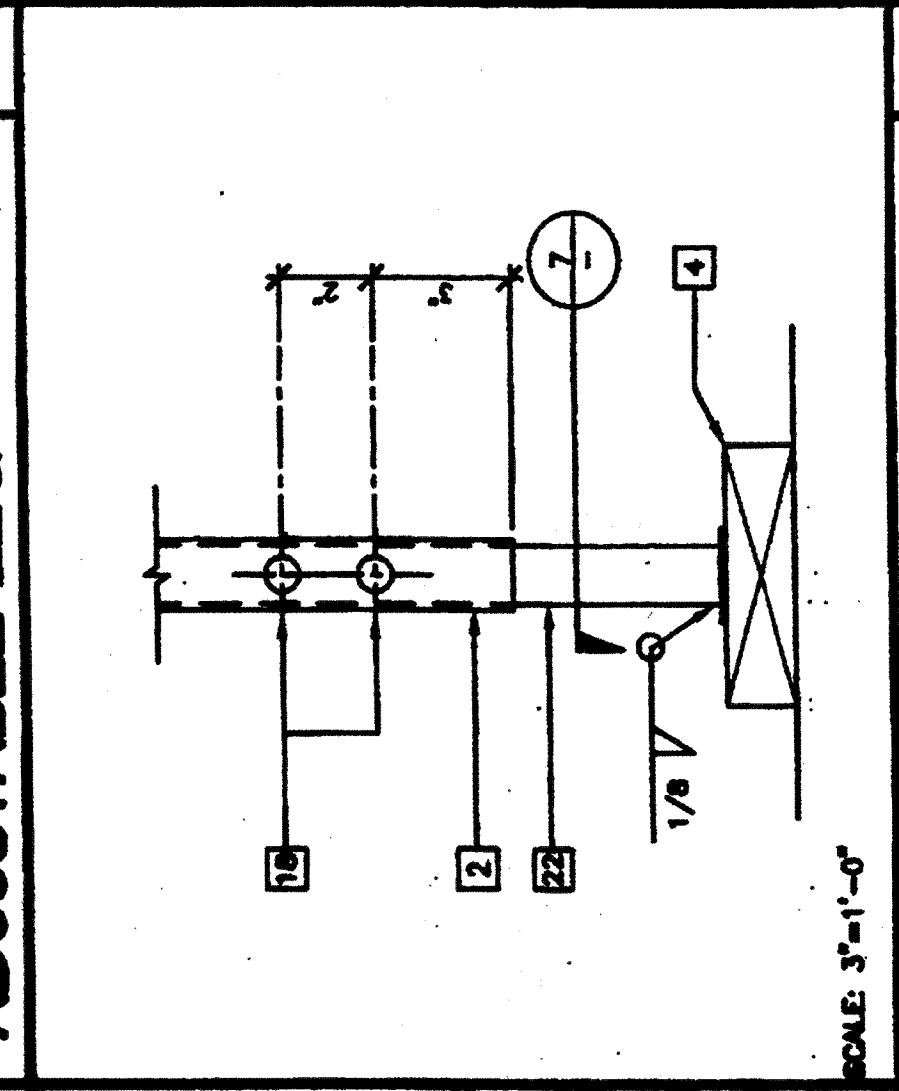
SECTION AT SILL PLATE
SCALE: NTS
(BY DISTRICT)



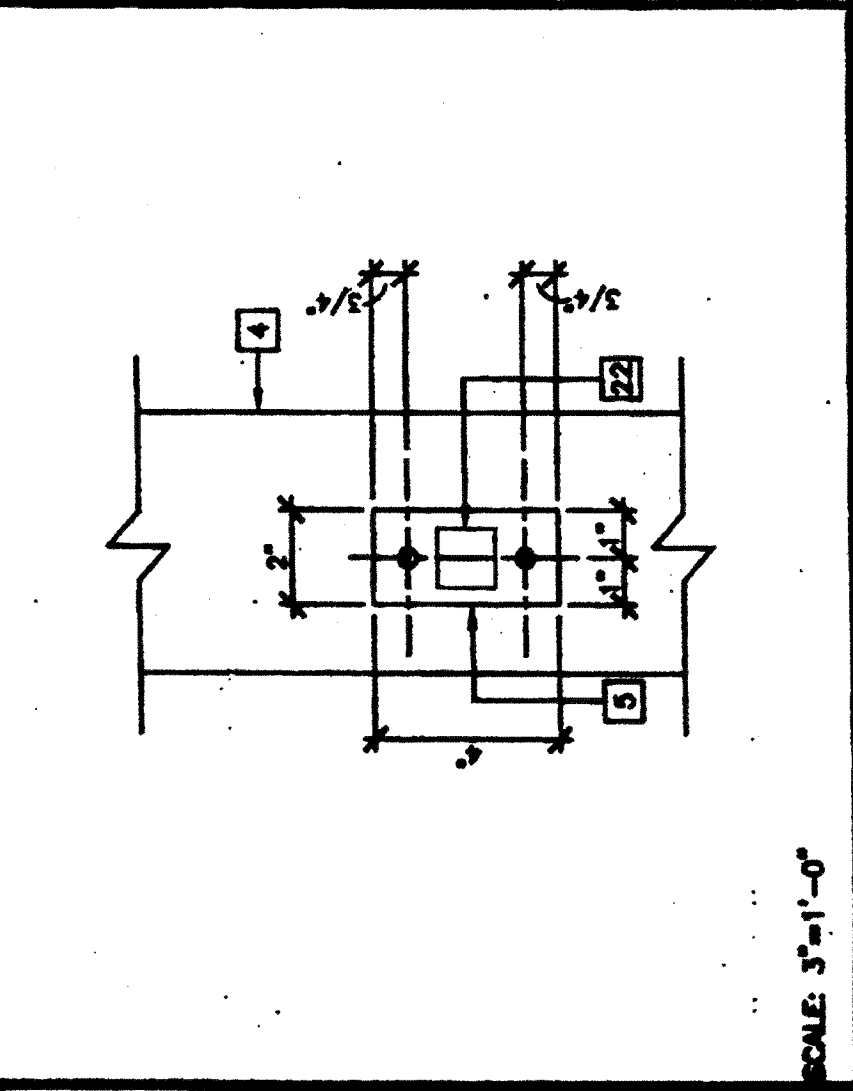
ADJUSTABLE LEG
SCALE: 3/4"=1'-0"
(BY DISTRICT)



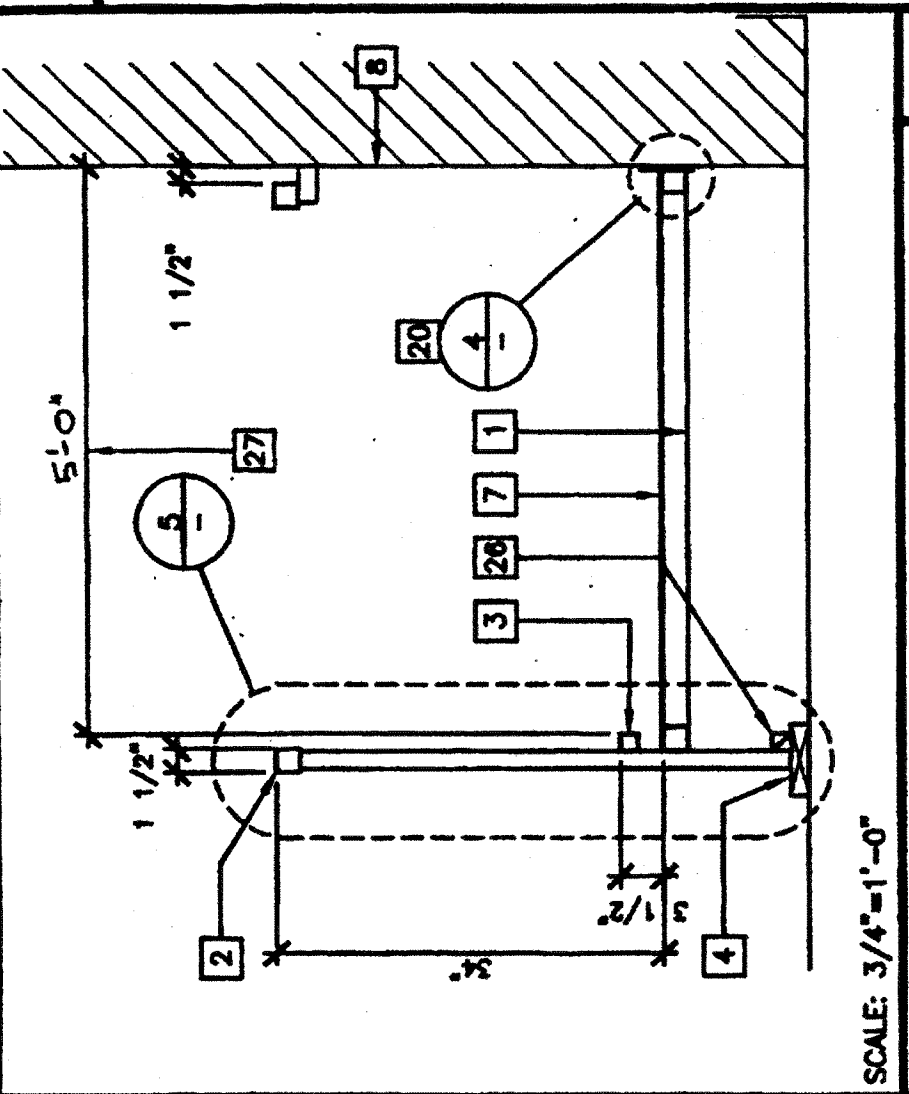
ADJUSTABLE LEG
SCALE: 3/4"=1'-0"
(BY DISTRICT)



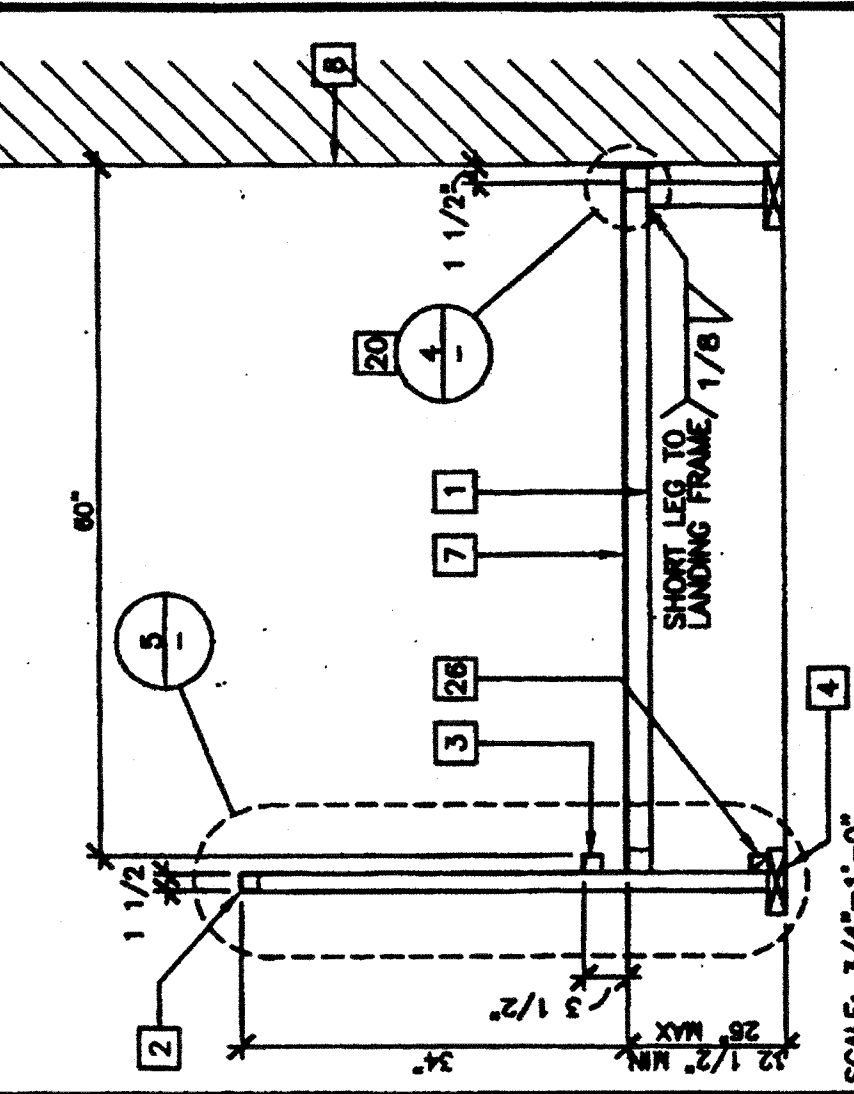
END ELEVATION
SCALE: 3/4"=1'-0"
(BY DISTRICT)



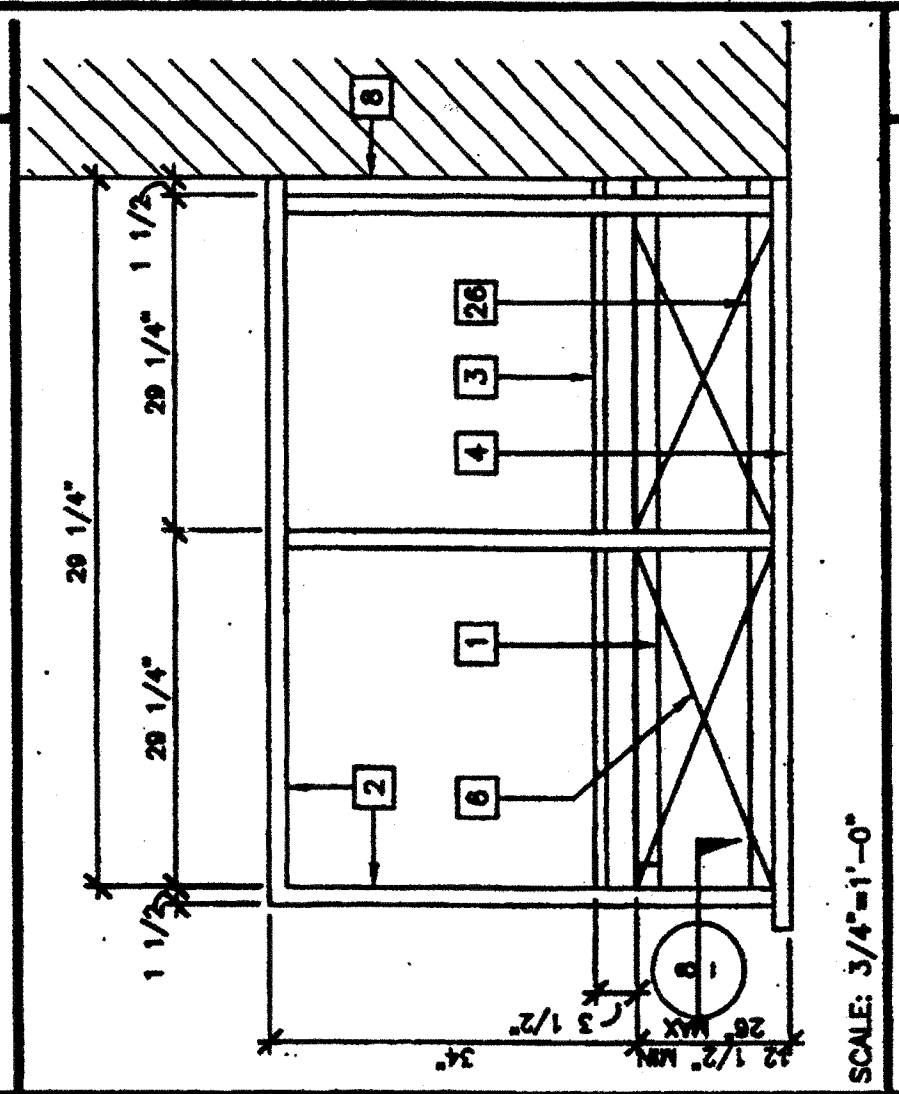
SECTION AT PLATE
SCALE: NTS
(BY DISTRICT)



SECTION AT RAMP
SCALE: 3/4"=1'-0"
(BY DISTRICT)



SECTION AT LANDING
SCALE: 3/4"=1'-0"
(BY DISTRICT)



SECTION AT PLATE
SCALE: NTS
(BY DISTRICT)

KEY NOTES

- TS 2"x2"x1/4" GA
- TS 1 1/2"x1 1/2"x1/4" GA (Fy = 36 KSI), ROUNDED OR BEVELED AT CORNERS.
- TS 1"x1"x1/8" GA WHEELCHAIR GUIDE
- 2"x6" PRESSURE TREATED SILL PLATE
- 2"x4"x1/2" GA BASE PLATE WITH 2"-1/4"x1" LANS
- SKIRTING: PLYWOOD TO MATCH BUILDING SPRING BLOCK. ALL EDGES ATTACHED WITH 8" OC EDGES AND 12" OC FIELD. AT EDGE CONNECTION TO TS, USE #14x2" TEK SCREWS AT 6" OC
- 1/2" GA METAL DECK: NON-SLIP SURFACE DESIGN COEFFICIENT OF FRICTION GREATER THAN 0.6. MAINTAINABLE FOR 15 YEARS. PROVIDE ROUNDED OR BEVELED EDGES ON STAIR NOSING.
- EXISTING BUILDING.
- 6"x10"x1/2" GA BASE PLATE AT RAMP TOE.
- LOWER LANDING BY DISTRICT
- RAMP BY MOTTTECH
- FLUSH TRANSITION
- PAVE BY DISTRICT
- 3"x1"x3/8"-0"x10" GA BERT PLATE
- FASTEN POSTS WITH 3/8" DIA THRU BOLT, TYPICAL
- RAMP LANDING, TYPICAL
- 26 GA FLASHING
- 3/8" DIAx2" LONG MB WITH NUT & WASHERS
- CALLING
- 6"x10" GA CONTINUOUS PLATE WITH #14x2" TEK SCREWS AT 9" OC INTO WOOD OR FOUNDATION BLOCKS OR #14x2" TEK SCREWS INTO METAL AT 9" OC
- PROVIDE DIVERSION FOR WATER FROM DOWNSPOUT FOR THIS CONDITION BY DISTRICT
- TS 1 1/4"x1 1/4"x1/4" GA (Fy = 36 KSI)
- 4" MINIMUM BUILDING SEPARATION
- 2" SLIP RESISTANT WALKING STRIPES MAX 1" FROM EVERY STAIR NOSING AND TOP LANDING. USE CONTRASTING COLOR.
- TS 2 1/2"x1 1/2"x3/8" GA, ASTM A500 GRADE A
- 2"x2" MULER WITH 16d AT 12" OC
- RAMP WITH MINIMUM CLEAR DIMENSION IS 5'-0"

FILE PATH:

DATE: JUL 10 2003

DATE: JUL 10 2003

DATE: JUL 10 2003

INDUSTRIAL STAMP
OFFICE OF REGULATION SERVICES

AC: [Signature]
RS: [Signature]
DATE: JUL 11 2003

DATE: [Signature]
DATE: [Signature]

PROJECT NUMBER: 4736
WILLIAM SCOTTSMAN

MODTECH, INC. 2002
ALL RIGHTS RESERVED

DRAWN BY: GL
DATE: 07/07/03
CHECKED BY:
DATE:

R1.02

RAMP/LANDING DETAILS

PROJECT NUMBER: 4736
WILLIAM SCOTTSMAN

MODTECH, INC.
2830 BARRETT AVENUE FAX (909) 943-4014
PERRIS, CALIF. 92572 FAX (909) 940-0427

PC-04-104796
PROJECT NO. 4736