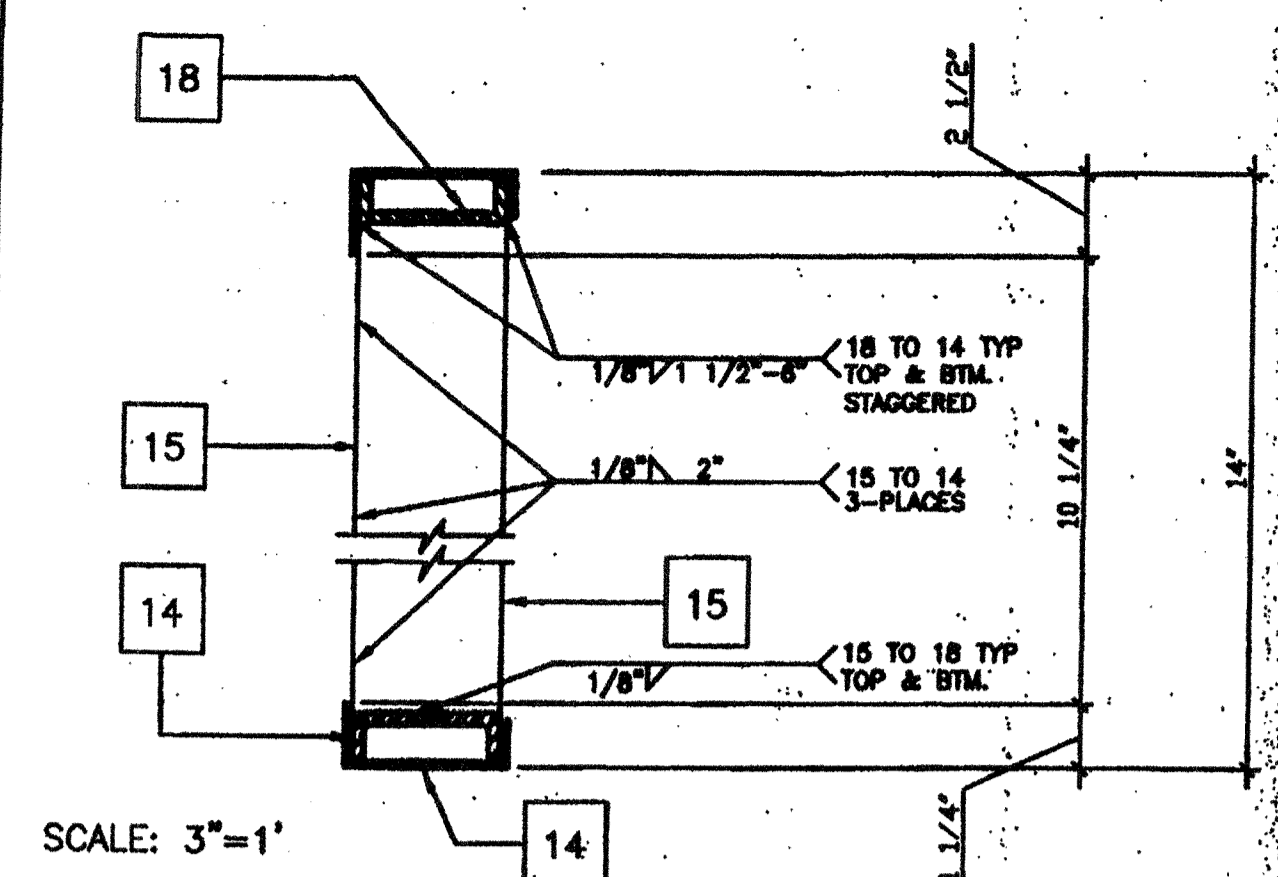
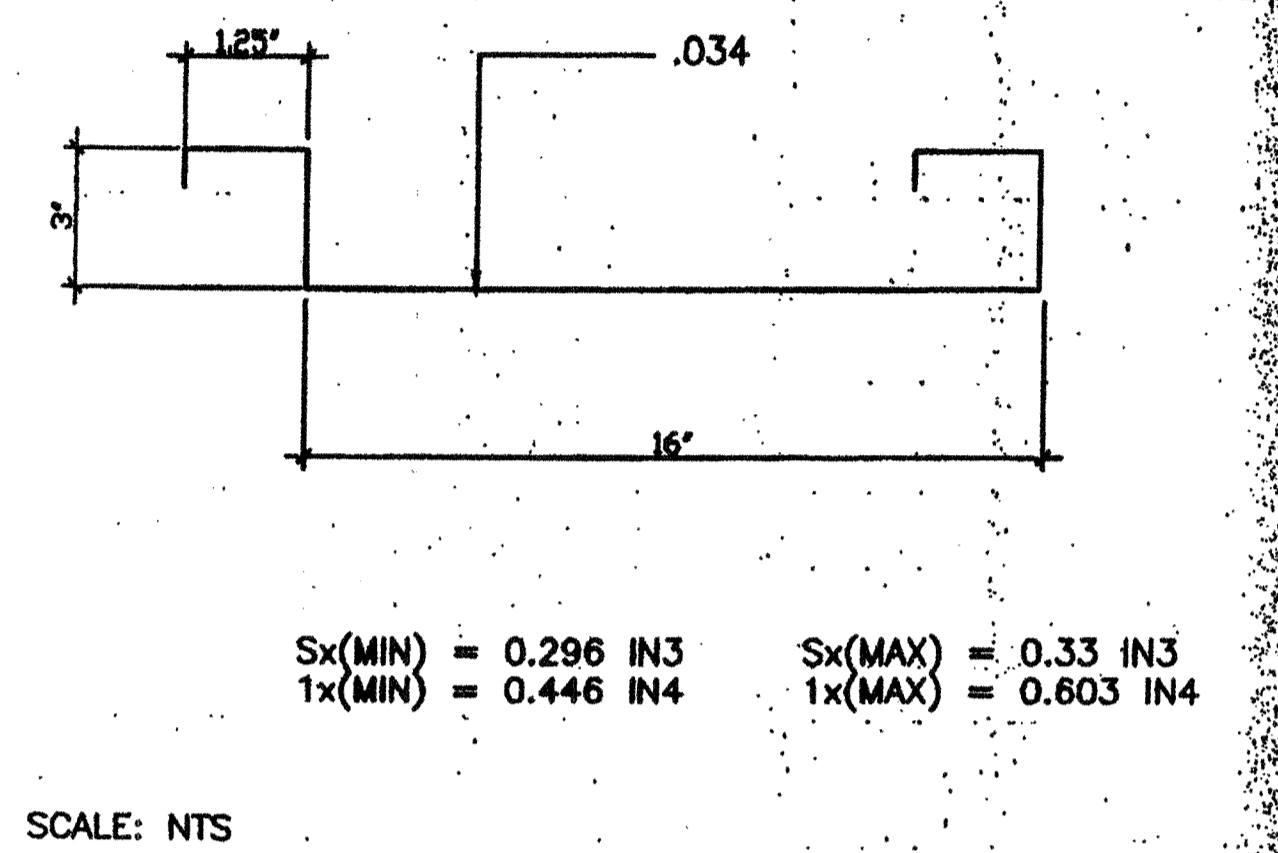


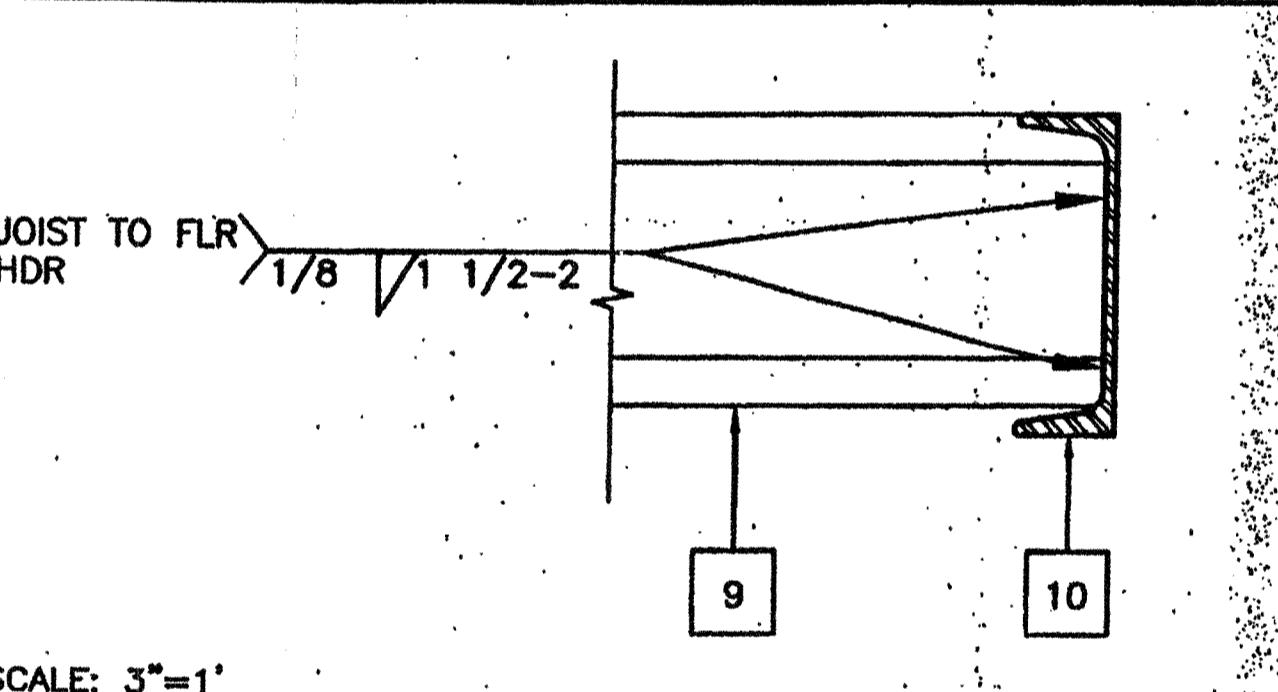
MECH. DUCT OPENING IN ROOF BM. 8



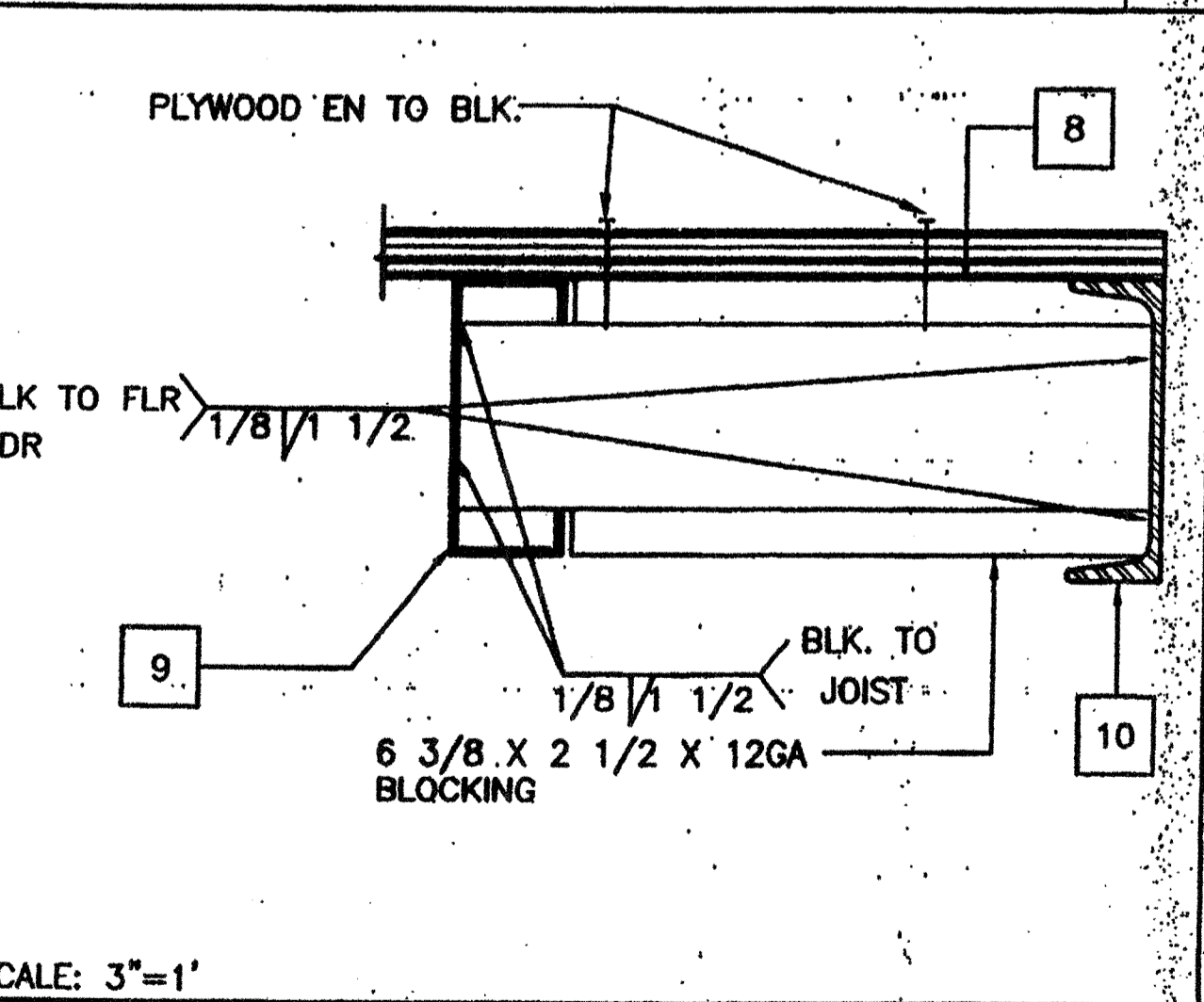
MECH. DUCT OPENING IN HEADER 4



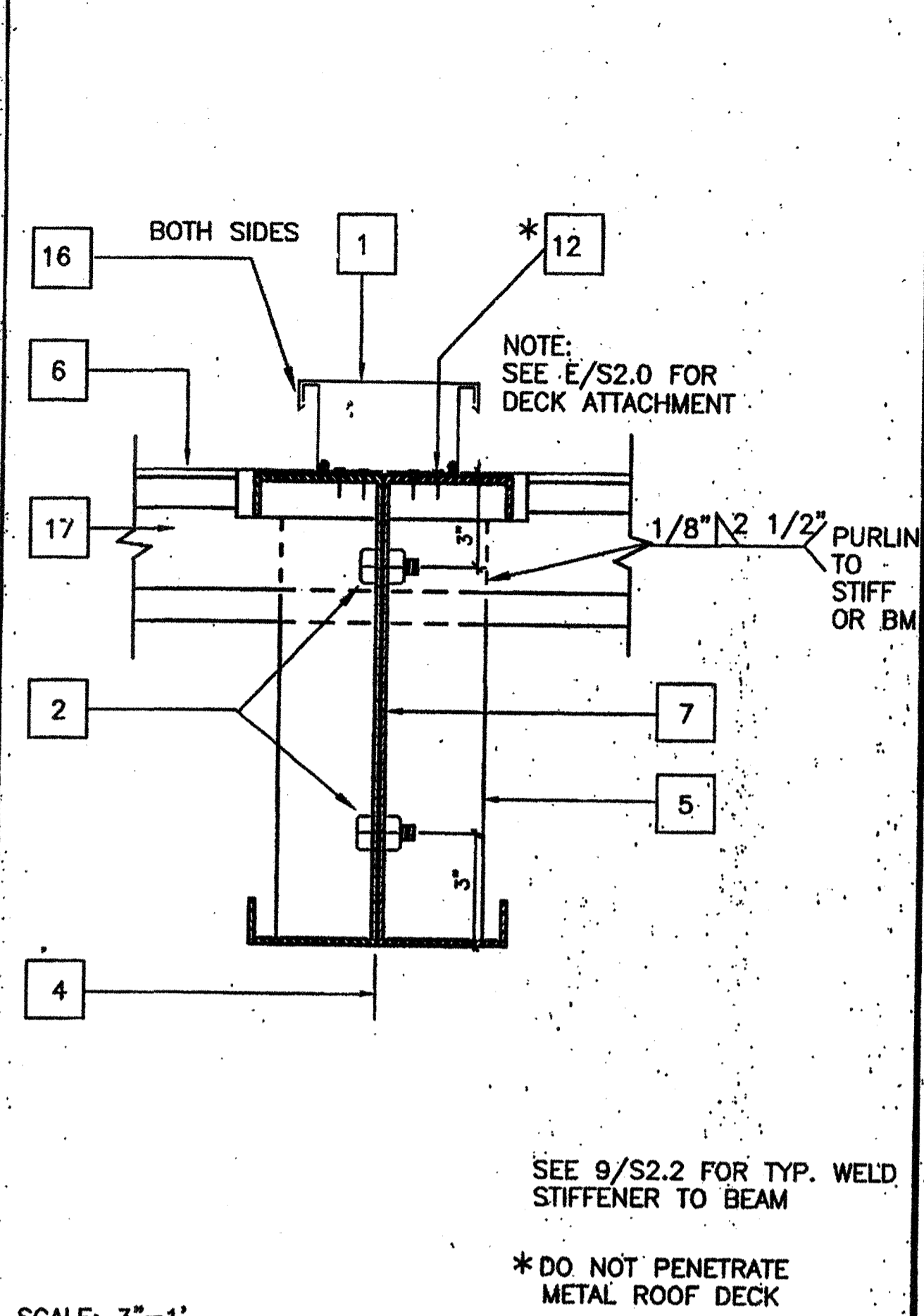
ROOF PAN (22GA) 5



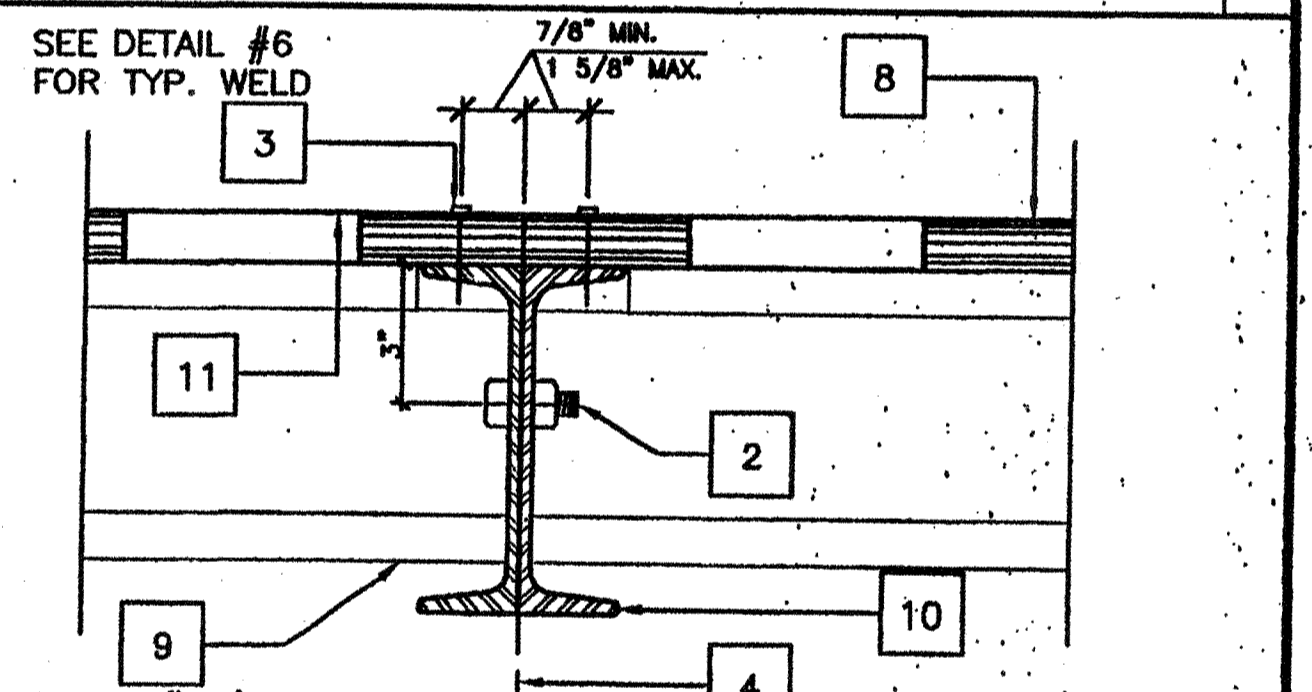
FLOOR FRAME/JOIST TO BEAM 6



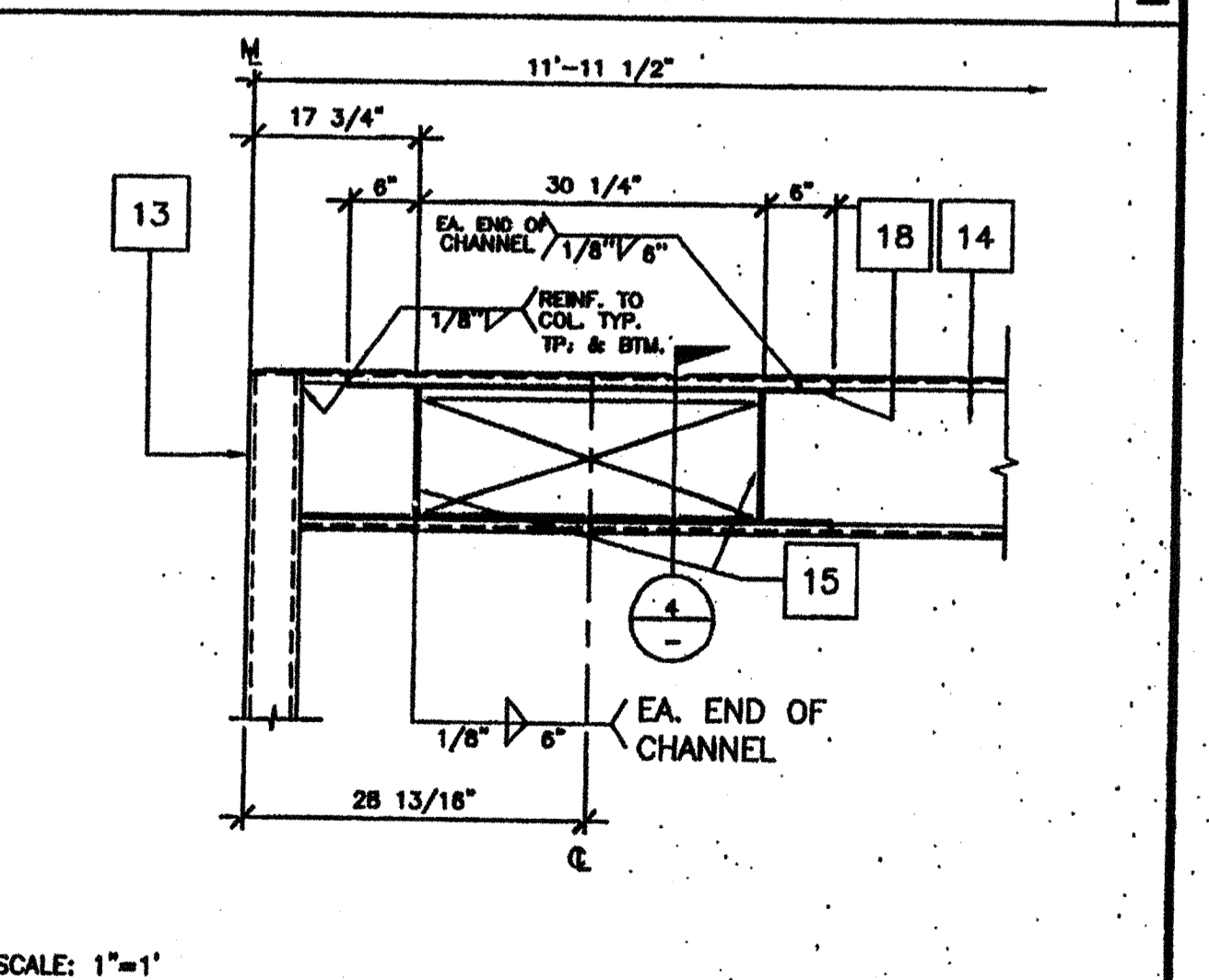
10 BLOCK AT MIDSPAN



ROOFING • MODLINE 1



MODULE JOINT AT FLR. 12'-0" 2



7 ELEVATION-OPENING 3

- KEY NOTES**
- CAP CLOSURE AT RIDGE 26GA. GALV. W/#10 TYPE FASTENERS W/NEOPRENE WASHERS TO RIB BOTH SIDES OF MODLINE. SET CAP IN SEALANT. BOTH SIDES.
 - 5/8" M.B. A307 MODULE JOINT (SEE STRUCTURAL PLAN FOR LOCATION) AT 8" O.C.
 - E.N.
 - MODULE JOINT
 - 14" THK X 3" FULL DEPTH STIFFENER PLATE AT RIDGE ONLY (SEE 9/S2.2)
 - STANDING ROOF SEAM (SEE A2.0)
 - ROOF BEAM SEE 1/S2.2 & 7/S2.2
 - PLYWOOD FLOOR SHEATHING
 - FLOOR JOIST SEE 6/S2.2
 - FLOOR BEAM SEE 5/S2.2
 - HAND HOLE AT BOLT LOCATION
 - #14 STSMS.
 - 3 1/2" X 3 1/2" X 1/4" STEEL TUBE COLUMN. SEE 12/S2.2
 - ROOF HEADER SEE 3/S2.2
 - 1/4" STIFFENER PLATE SEE 9/S2.2 FOR TYP. WELD
 - SEALANT
 - ROOF PURLIN SEE 2/S2.2
 - 3 1/4" X 1" X 45 11/16" LG X 10GA CHANNEL TOP AND BOTTOM OF OPENING

REVISIONS

1			
2			
3			
4			

Electrical Engineer's Seal	Mechanical Engineer's Seal	PC Professional of Record Seal	Architect's Seal
----------------------------	----------------------------	--------------------------------	------------------

PC
CBC 2001
IDENTIFICATION STAMP
DIV. OF THE STATE ARCHITECT
OFFICE OF REGULATION SERVICES
PC-04
AC: PLS: SS
DATE:

MODTECH™
2830 BARRETT AVENUE FAX (909) 943-4014
PERRIS, CALIF. 92572 FAX (909) 940-0427

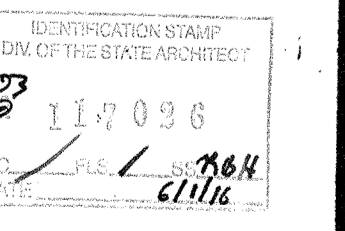
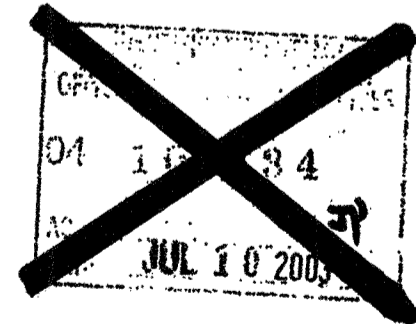
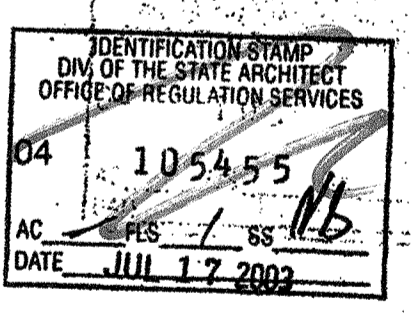
PROJECT NUMBER: 4736
WILLIAM SCOTTSMAN

© MODTECH, INC. 2002
ALL RIGHTS RESERVED

DRAWN BY: GL
DATE: 07/07/03
CHECKED BY:
DATE:

MODTECH Index No.
S1.2

STRUCTURAL DETAILS



FILE PATH:

PROJECT NO. 4736