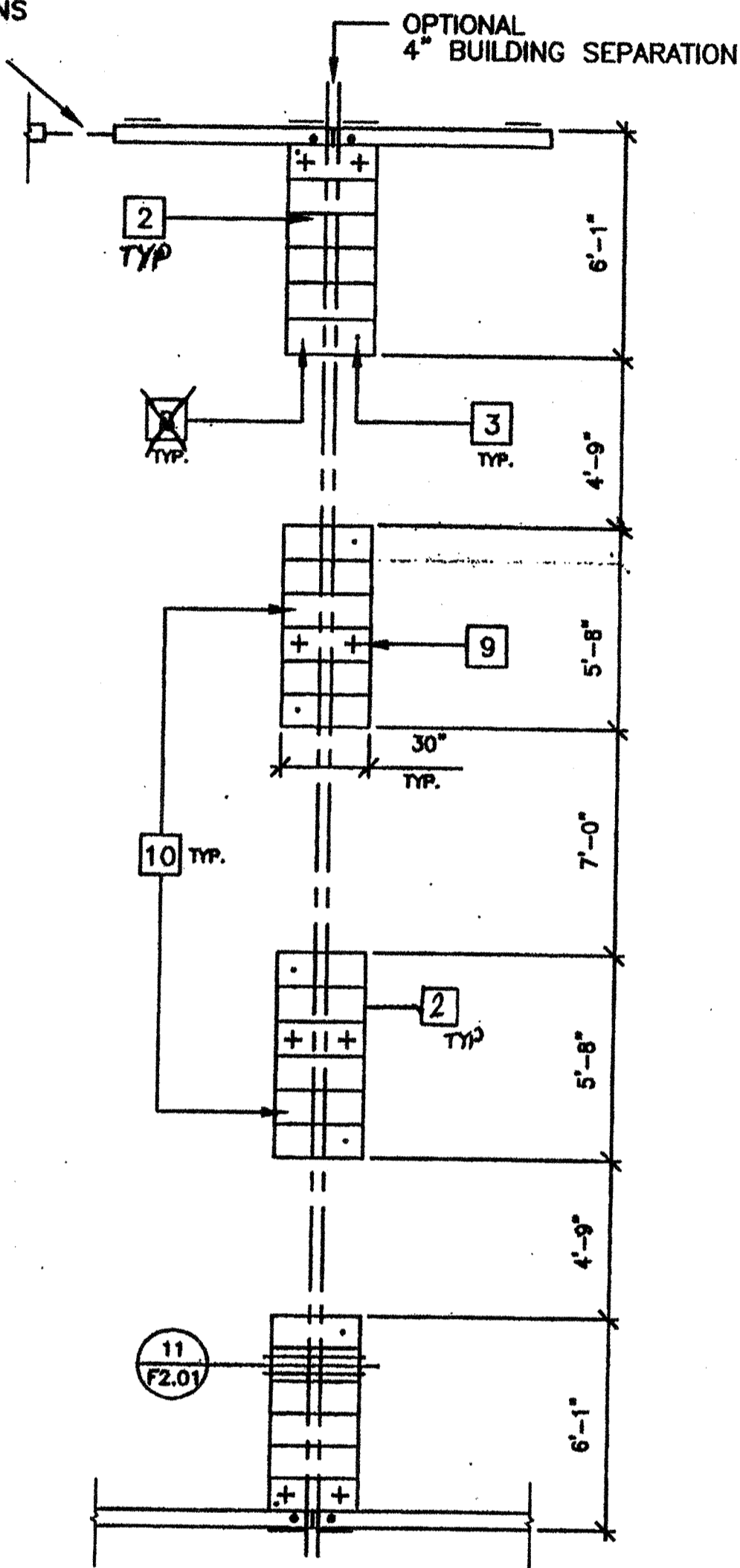
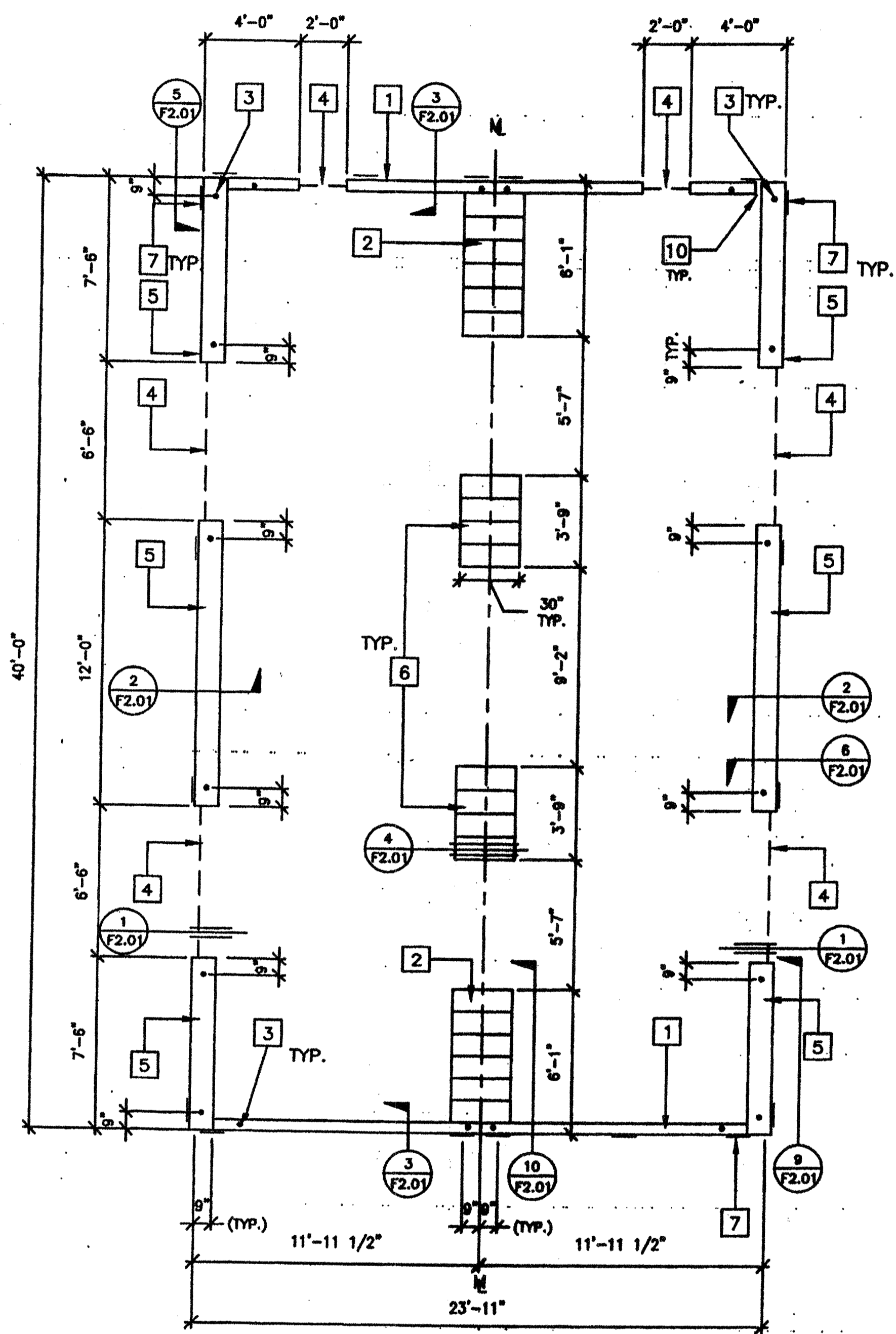


3"x24" ENDWALL VENTS AS REQUIRED FOR ADJACENT BUILDING APPLICATIONS MIN. 18" FROM BUILDING CORNERS MIN. 12" BLOCKING BETWEEN VENTS

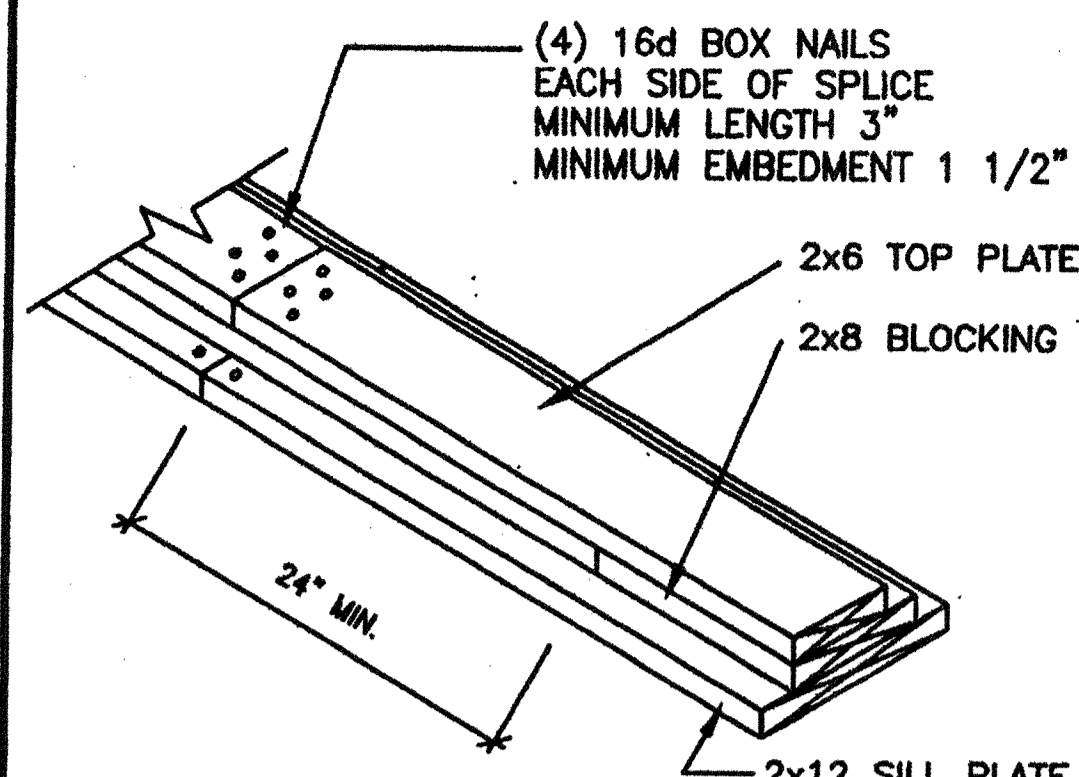


FOOTINGS AT ADJACENT BUILDING (OPTIONAL 4" SEPARATION)

BUILDING CLOSURE AT 4" SEPARATION NOTES:
 - FOR ROOF DETAIL AT ADJACENT BLDG SEE F/S2:0
 - FOR WALL DETAIL AT ADJACENT BLDG SEE 17/S4.03 OR S4.03M



FOUNDATION - WOOD SILL 24' X 40' 50 PSF LL SCALE 1/4" = 1'



IF ADDITIONAL PLATES ARE REQUIRED, ABOVE THE 2x6 TOP PLATES SHOWN, TOP PLATE SHOWN, USE 2x4 PLATES

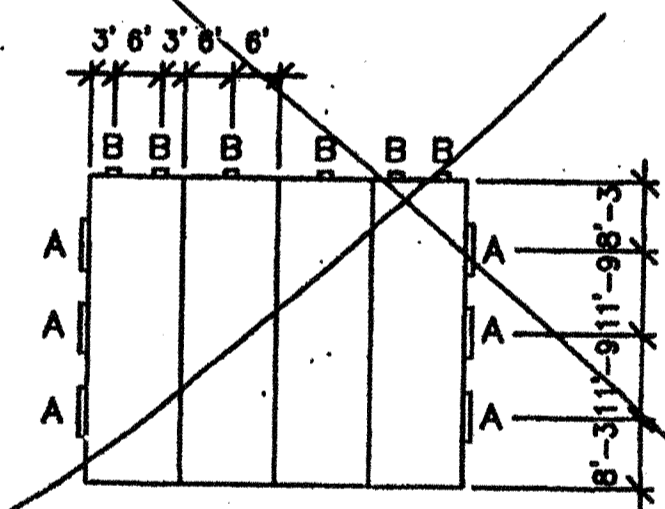
FOUNDATION SPLICE DETAIL 1

VENT CALCS.

BLD'G SIZE 24' X 40' = 960
 VENTILATION REQ'D 960 + 150 = 6.4SF
 3"x6'-6" VENT = 1.625SF X 4 = 6.5SF
 3"x2'-0" = 0.5 SF X 2 = 1.0 SF
 TOTAL VENTING PROVIDED = 7.5 SF

24'x40' VENT CALCS 2

BLD'G SIZE 48' X 40' = 1920
 VENTILATION REQ'D 1920 + 150 = 12.8SF
 VENT A: 3"x6'-6" = 1.625SF X 6 = 9.725SF
 VENT B: 3"x2'-0" = 0.5 SF X 6 = 3.0 SF
 TOTAL VENTING PROVIDED = 12.72 SF OK



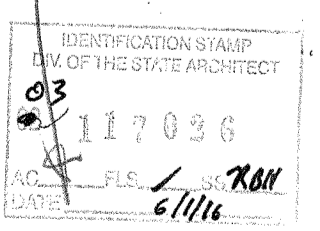
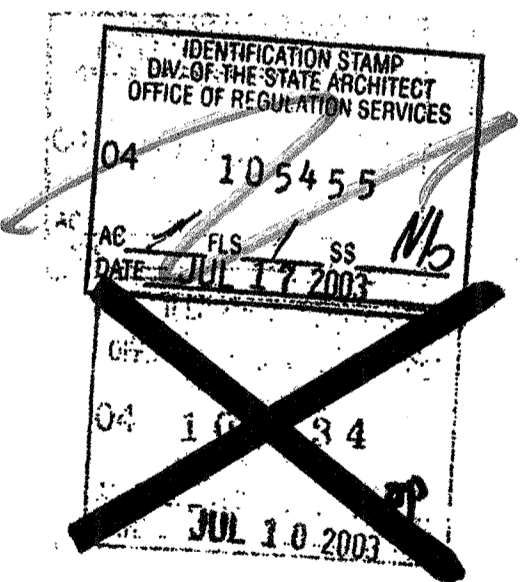
48'x40' VENT CALCS/KEY PLAN 3

KEY NOTES

- 1 2"x6" SILL PLATE (END WALL)
- 2 6- 2X12X30" LONG SILL PADS
- 3 PIPE TO GRADE (TYP.)
- 4 3" HIGH BY 6'-6" LONG VENT AT SIDEWALLS
3" HIGH BY 2'-0" LONG VENT AT ENDWALLS
- 5 2X12 SILL PLATE (SIDE WALL)
- 6 4-2X12X30" LONG SILL PADS
- 7 6"x12"x10 GA. PLATES
5 AT ENDWALL, 4 AT SIDEWALL
- 8 TIE PLATE - 6.9/F2.0
AT 70 MPH WIND DESIGN LOAD:
MIN (4) AT EACH ENDWALL
(3) AT EACH SIDEWALL
AT 80 MPH WIND DESIGN LOAD:
MIN (5) AT EACH ENDWALL
(4) AT EACH SIDEWALL
- 9 5/8" DIA X 4" LAGS
- 10 2" CUTOUT OF SILL PLATE FOR DRAINAGE, FIELD TO LOCATE AT LOWEST CORNER OF FOUNDATION

NOTES

1. SILL RESTRAINT: ON A.C. PAVING AND ON SOIL 1" O.D. GALVANIZED PIPE AT 10'-0". 12" PENETRATION BELOW SURFACE VERTICALLY. DRILL SILL 1-1/4" MAX. PIPE MAY BE DRIVEN MA. OF 45° ANGLE TO VERTICAL. (18-1/2" LONG PIPE REQUIRED FOR PENETRATION AT 45° ANGLE)
2. ON CONCRETE PAVING HILTI DS 82-P10 THRU SILL PLATE: END WALLS: 8" O.C. SIDE WALLS: 22" O.C.
3. WHERE SHM STOCK IS REQUIRED FOR LEVELING USE 1/4", 1/2" OR 3/4" THICK PLYWOOD SAME WIDTH AS BLOCK, P.T.
4. VERIFY DRAINAGE TO PREVENT WATER FROM PONDING BENEATH THE STRUCTURE WITH DISTRICT ARCHITECT SITE PLANS.
5. ALL FOUNDATION MATERIAL SHALL BE DOUGLAS FIR GROUND CONTACT: LP-22 (CCA .40) ABOVE GROUND: LP-2 (CCA .25)
6. ALLOWABLE SOIL BEARING: 1000 PSF
7. MACHINE APPLIED 16d FASTENERS SHALL HAVE AN EMBEDMENT OF NOT LESS THAN 1 1/2" INTO SECOND MEMBER, AND SHALL BE NOT LESS THAN 3" IN OVERALL LENGTH
THE ABOVE NAILS SHALL ALSO BE ACCEPTABLE FOR HAND NAILING, PROVIDED THE REQUIRED EMBEDMENT IS MAINTAINED.
8. FOR FOUNDATIONS USING (4) PLATES, USE SHEET F2.01 FOR DETAILS IN LIEU OF SHEET F2.0



REVISIONS	Electrical Engineer's Seal	Mechanical Engineer's Seal	PC Professional of Record Seal	Architect's Seal

PC
 CBC 2001
 IDENTIFICATION STAMP
 DIV. OF THE STATE ARCHITECT
 OFFICE OF REGULATION SERVICES
 PC-04
 104796
 DATE: 7/2/03

MODTECHTM
 2830 BARRETT AVENUE PH (909) 943-4014
 PERRIS, CALIF. 92571 FAX (909) 940-0427

PROJECT NUMBER: 4736 © MODTECH, INC. 2002
 WILLIAM SCOTTSMAN

FOUNDATION PLAN

DRAWN BY: GL
 DATE: 07/07/03
 CHECKED BY:
 DATE:

MODTECH Index No.
F1.01

PROJECT NO. 4736
 PC-04-104796