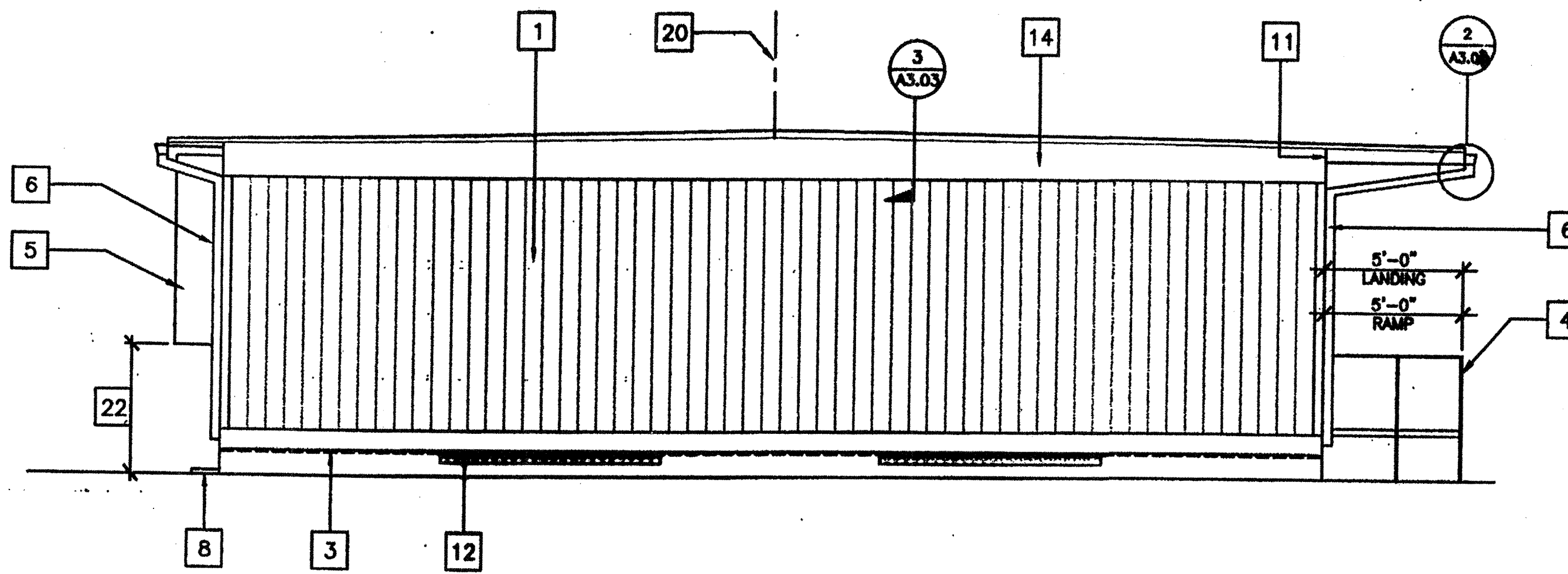


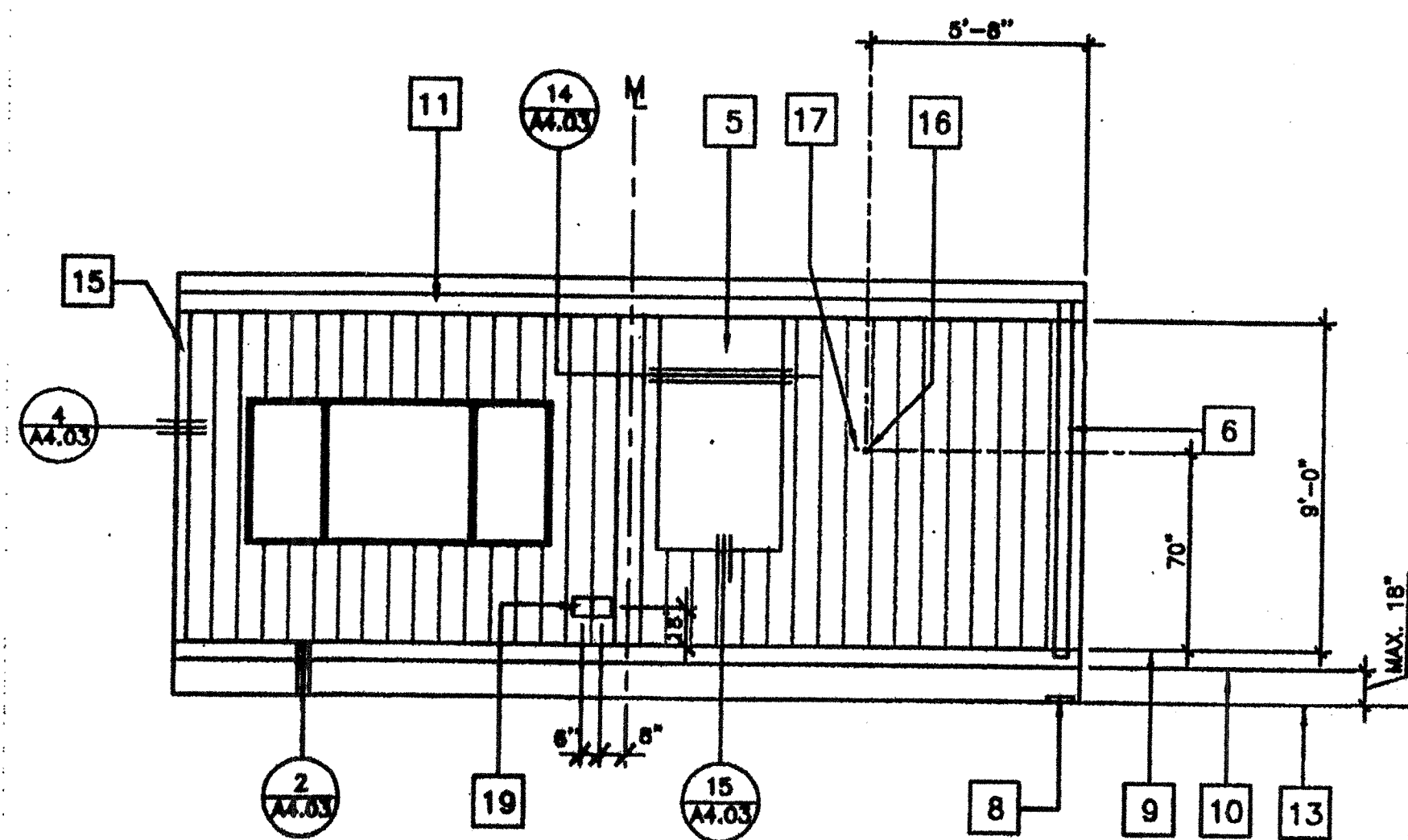
1 FRONT ELEVATION
OPP-HAND

1/4" = 1'-0"



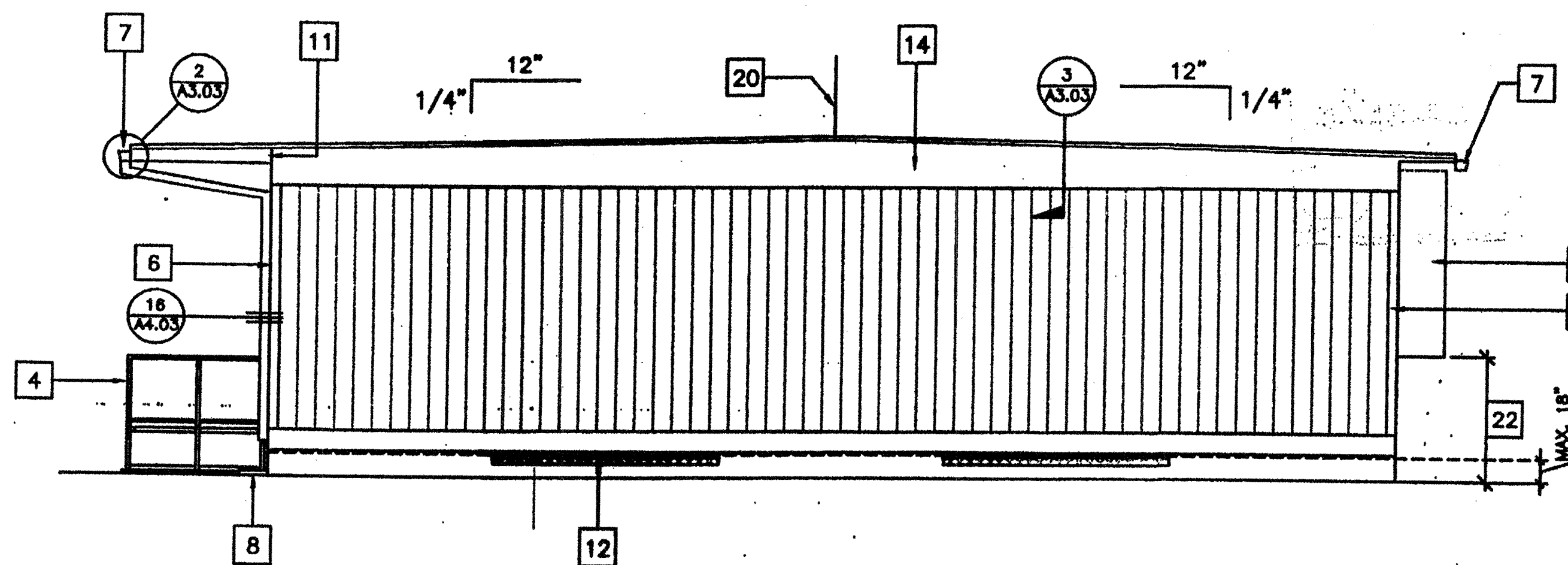
2 LEFT ELEVATION

1/4" = 1'-0"



3 REAR ELEVATION
OPP-HAND

1/4" = 1'-0"



4 RIGHT ELEVATION

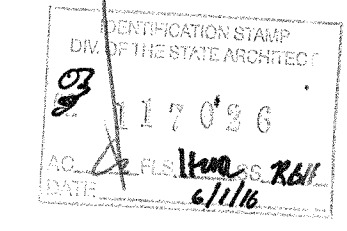
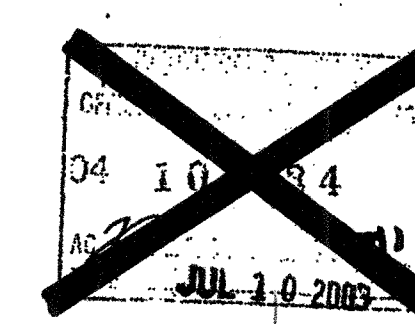
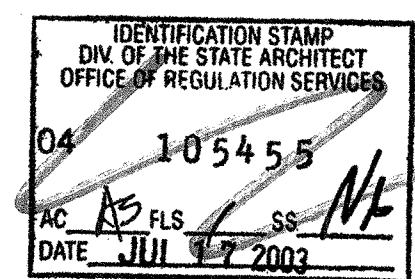
1/4" = 1'-0"

KEY NOTES

- 1 TYPICAL EXTERIOR SIDING (SEE A6.02)
- 2 EXTERIOR LIGHT FIXTURE (SEE SPEC'S)
- 3 TOP OF SKIRTING
- 4 RAMP AND LANDING **RAMP** SEE RAMP DRAWINGS
- 5 HVAC UNIT. SEE **HV**
- 6 DOWNSPOUT (TYP.) FOR (2). FASTEN TO BLD'G. TYP 3 PLACES (SEE 16/A4.03)
- 7 CONTINUOUS GUTTER WITH DOWNSPOUT (LOCATION OF DOWNSPOUT SHOWN ON ROOF PLAN) SEE A3.01
- 8 SPLASH BLOCK (BY OTHERS)
- 9 FINISH FLOOR LINE
- 10 BOTTOM FLANGE OF FLOOR BEAM
- 11 ROOF HEADER
- 12 VENT. SEE FOUNDATION PLAN
- 13 FINISH GRADE
- 14 ROOF BEAM SEE **STR**
- 15 COLUMN SEE **STR**
- 16 ELECTRICAL STUB-OUT SEE **EL**
- 17 GROUND STUB-OUT SEE **EL**
- 18 J BOX FOR EXT. FA HORN SEE **EL**
- 19 NEMA 6" X 6" GUTTER BOX SEE **EL**
- 20 RIDGE
- 21 NOT USED
- 22 IF HVAC UNIT IS LOCATED IN ANY PATH OF TRAVEL OR CIRCULATION AREA AND HEIGHT FROM GRADE TO BOTTOM OF UNIT EXCEEDS 27" THEN PROTECTION MUST BE PROVIDED BY DISTRICT PRIOR TO OCCUPANCY
- 23 SIGNAGE PROVIDED AND INSTALLED BY DISTRICT PRIOR TO OCCUPANCY. SEE SHEET A6.02

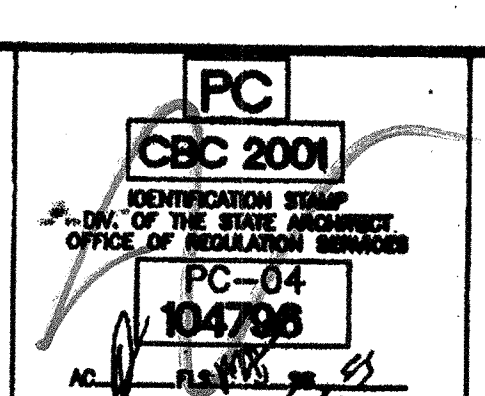
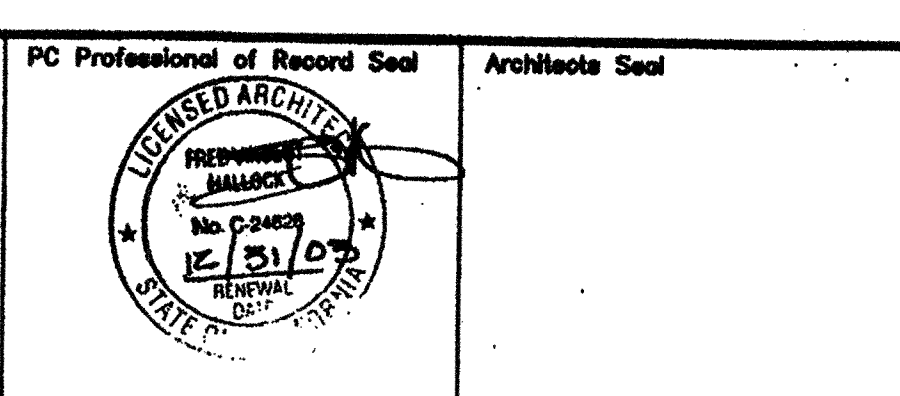
NOTES

- 1. SEE FOUNDATION PLAN FOR SIZE AND LOCATION OF UNDER FLOOR VENTS.



REVISIONS	Electrical Engineer's Seal	Mechanical Engineer's Seal	PC Professional of Record Seal	Architect's Seal

Electrical Engineer's Seal
Mechanical Engineer's Seal
PC Professional of Record Seal
Architect's Seal



MODTECH™
2830 BARRETT AVENUE FAX (909) 943-4014
PERRIS, CALIF. 92572 FAX (909) 940-0427

PROJECT NUMBER: 4736
WILLIAM SCOTTSMAN

© MODTECH, INC. 2002
ALL RIGHTS RESERVED

DRAWN BY: GL
DATE: 07/07/03
CHECKED BY:
DATE:

EXTERIOR ELEVATIONS W/ FASCIA **A4.01**

PROJECT NO. 4736