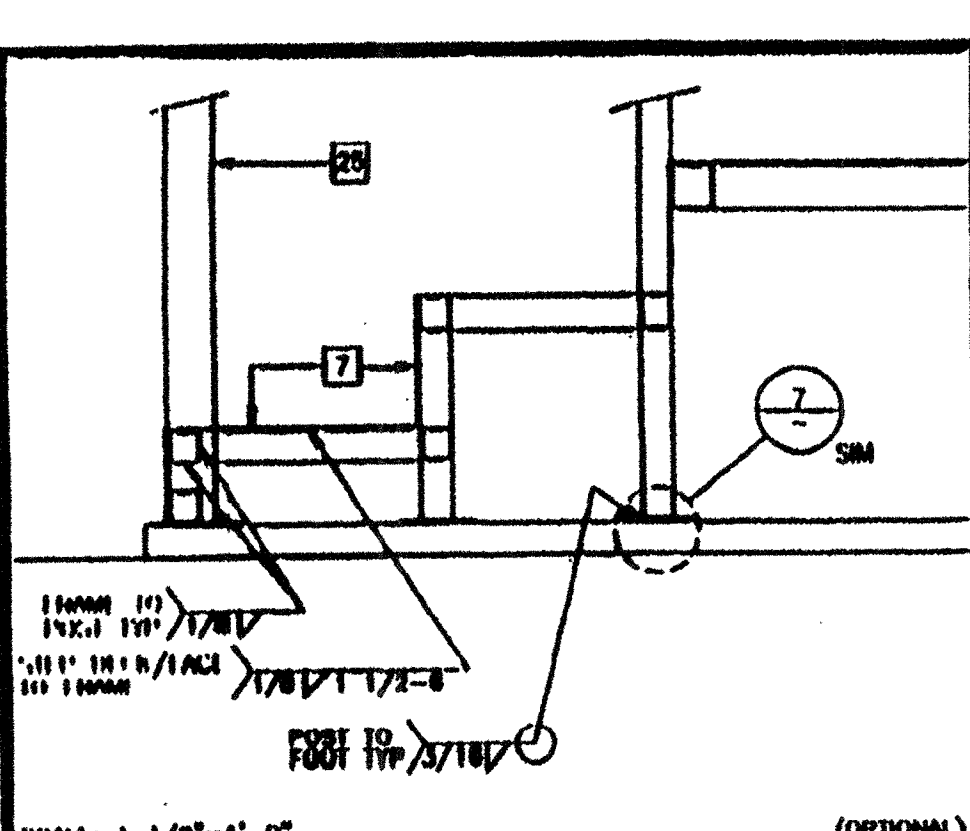
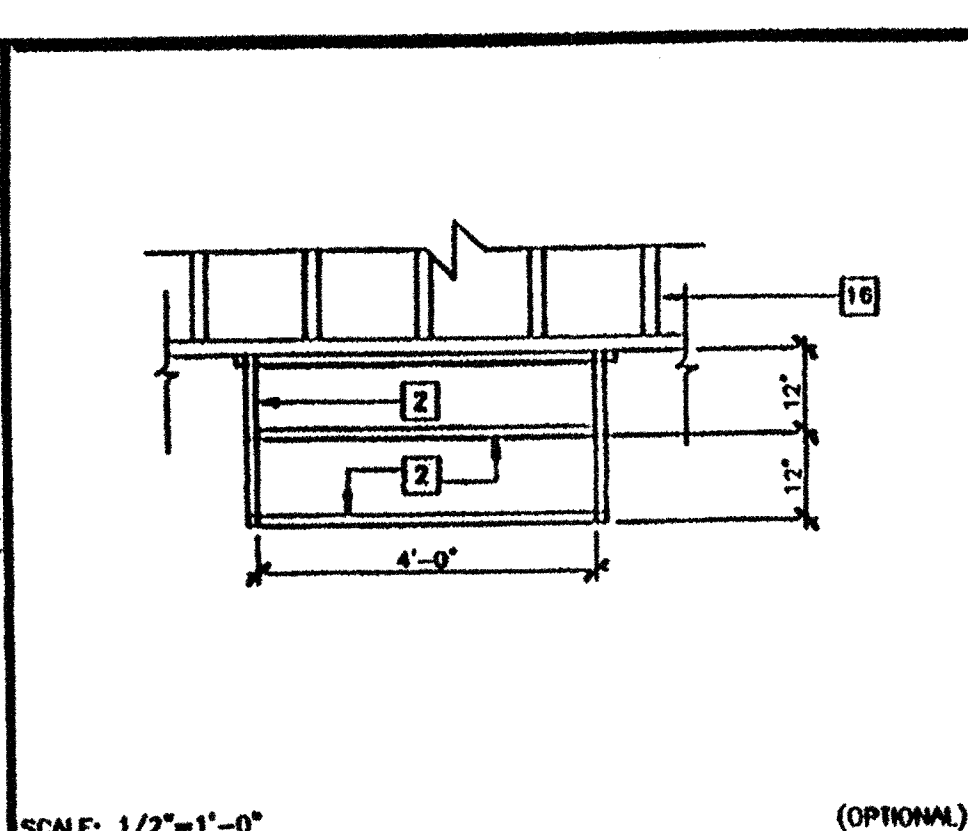


KEY NOTES

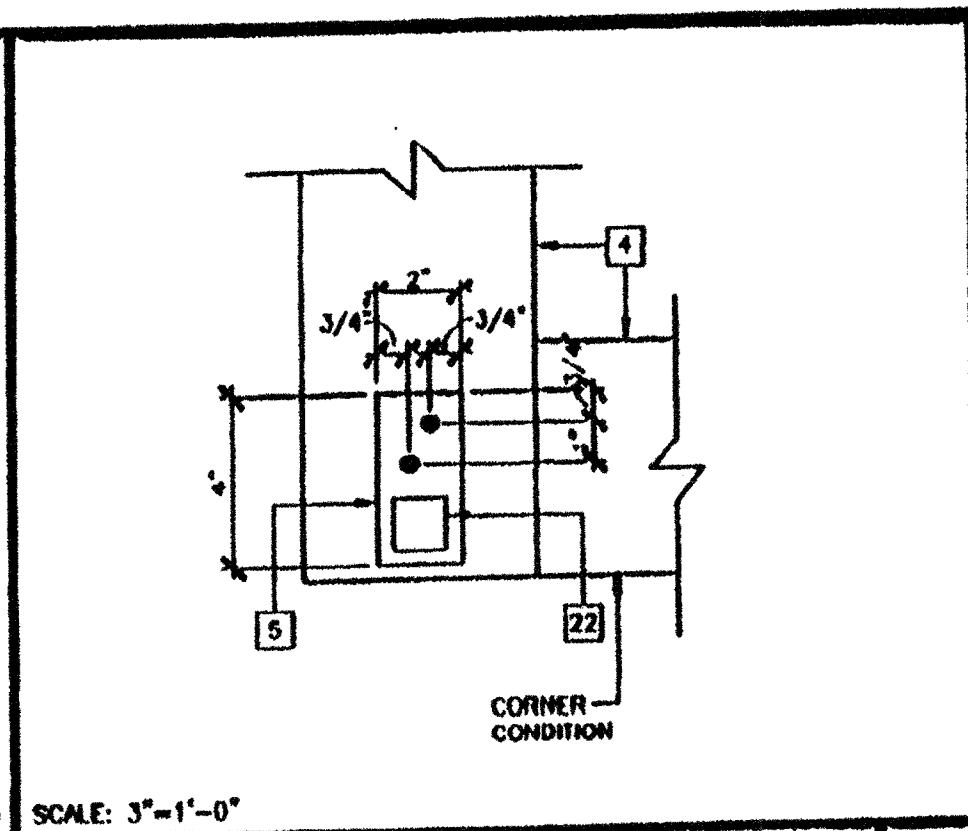
- 1 TS 2"x2"x14 GA
- 2 TS 1 1/2"x1 1/2"x14 GA (Fy = 39 KSI). ROUNDED OR BEVELED AT CORNERS.
- 3 TS 1"x1"x10 GA WIRE/CLIMB GUIDE
- 4 2"x6" PRESSURE TREATED SILL PLATE
- 5 2"x4"x12 GA BASE PLATE WITH 2-1/4"x1" LAGS
- 6 SKIRTING: PLYWOOD TO MATCH BUILDING SKIRTING. IN LOCK ALL EDGES. ATTACH WITH #4 AT 6" OC EDGES AND 12" OC FIELD. AT EDGE CONNECTION TO TS, USE #14x2" HX SCREWS AT 6" OC
- 7 12GA METAL DECK: NON-SLIP SURFACE. IN SUN CONDITION OF FRICTION GREATER THAN 0.5. MAINTAINANCE FREE 1 YR. PROVIDE ROUNDED OR BEVELED EDGES ON STAIR WELLS.
- 8 EXISTING BUILDING.
- 9 6"x10"x12 GA BASE PLATE AT RAMP TOE.
- 10 LOWER LANDING BY DISTRICT
- 11 RAMP BY MODTECH
- 12 FLUSH TRANSITION
- 13 PAVE BY DISTRICT
- 14 3"x1"x3"-0"x10 GA BENT PLATE
- 15 FASTEN POSTS WITH 3/8" DIA THRU BOLT. TYPICAL
- 16 RAMP LANDING, TYPICAL
- 17 20 GA FLASHING
- 18 3/8" DIAx2" LONG MU WITH NUT & WASHER
- 19 CAULKING
- 20 6"x10GA CONTINUOUS PLATE WITH #14x2" TEK SCREWS AT 9" OC INTO WOOD OR FOUNDATION BLOCKS OR #14x7" TEK SCREWS INTO METAL AT 9" OC
- 21 PROVIDE DIVERSION FOR WATER FROM DOWNSPOUT FOR THIS CONDITION. BY DISTRICT
- 22 TS 1 1/4"x1 1/4"x14 GA (Fy = 39 KSI)
- 23 4" MINIMUM BUILDING SEPARATION
- 24 2" SLIP RESISTANT WARNING STRIPES MAX 1" FROM EVERY STAIR NOSING. USE CONTRASTING COLOR.
- 25 TS 2 1/2"x1 1/2"x8 GA ASTM A661
- 26 2"x2" NAILER WITH 16d AT 12" OC



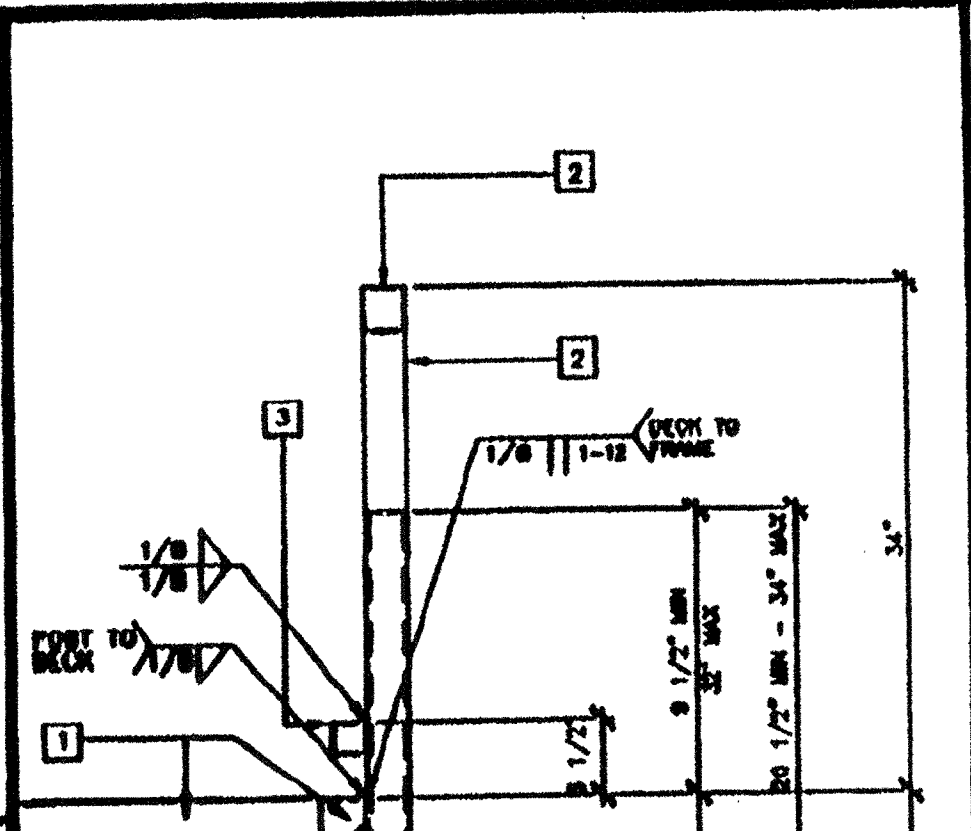
SCALE: 1/2"=1'-0" (OPTIONAL)



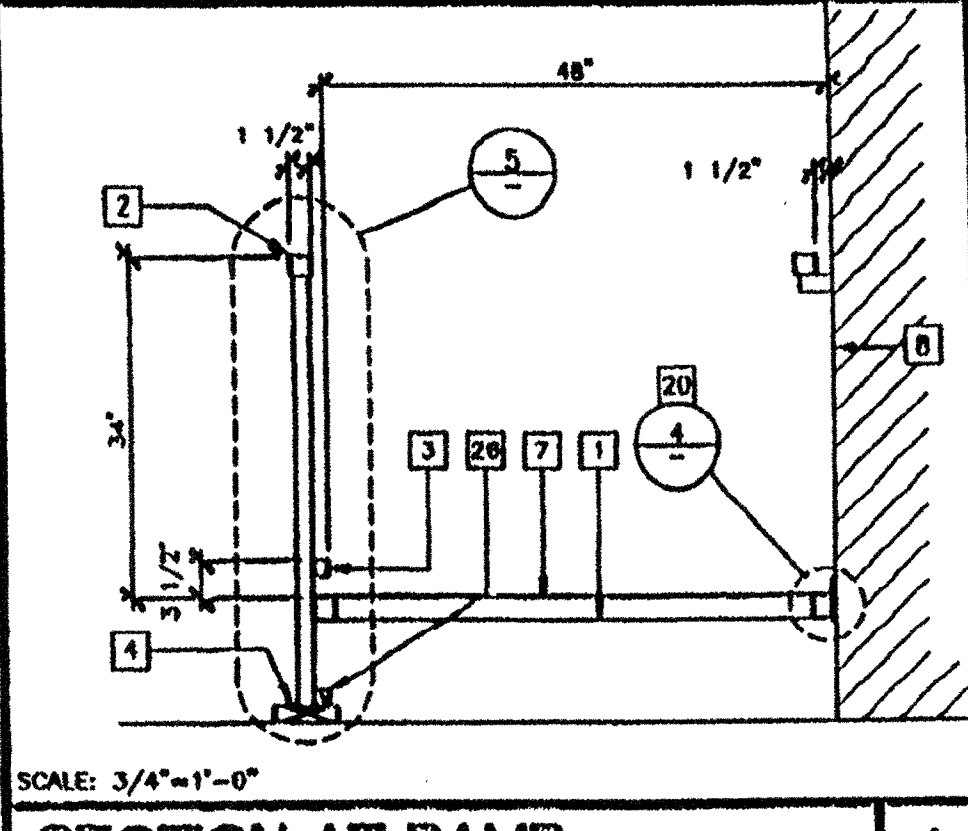
SCALE: 1/2"=1'-0" (OPTIONAL)



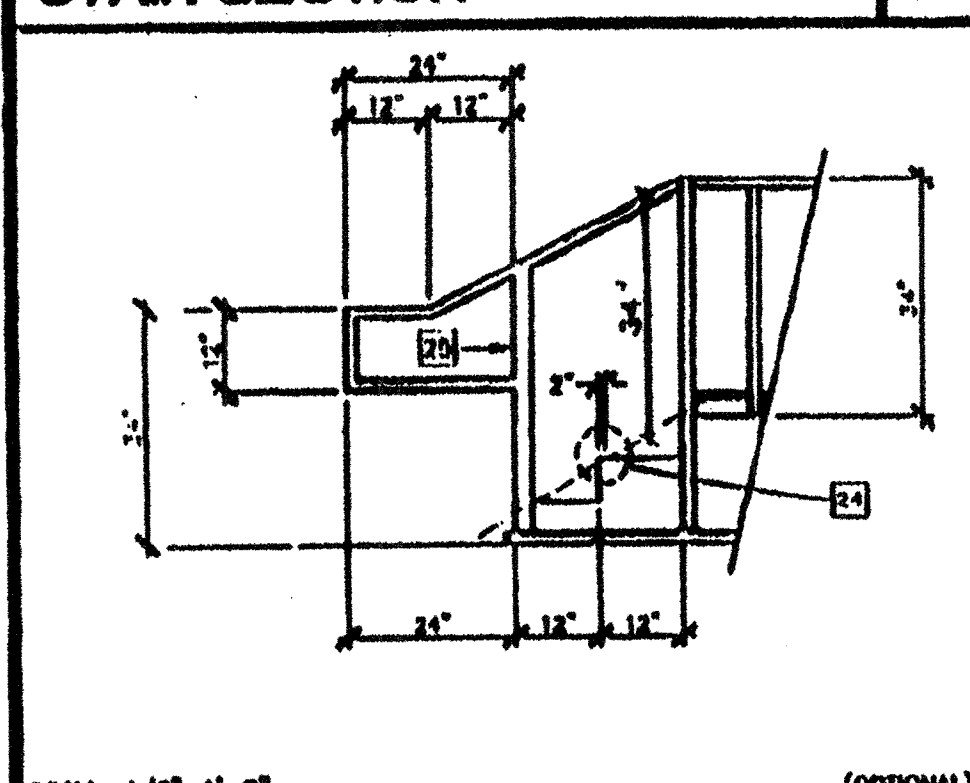
SCALE: 3"=1'-0" (OPTIONAL)



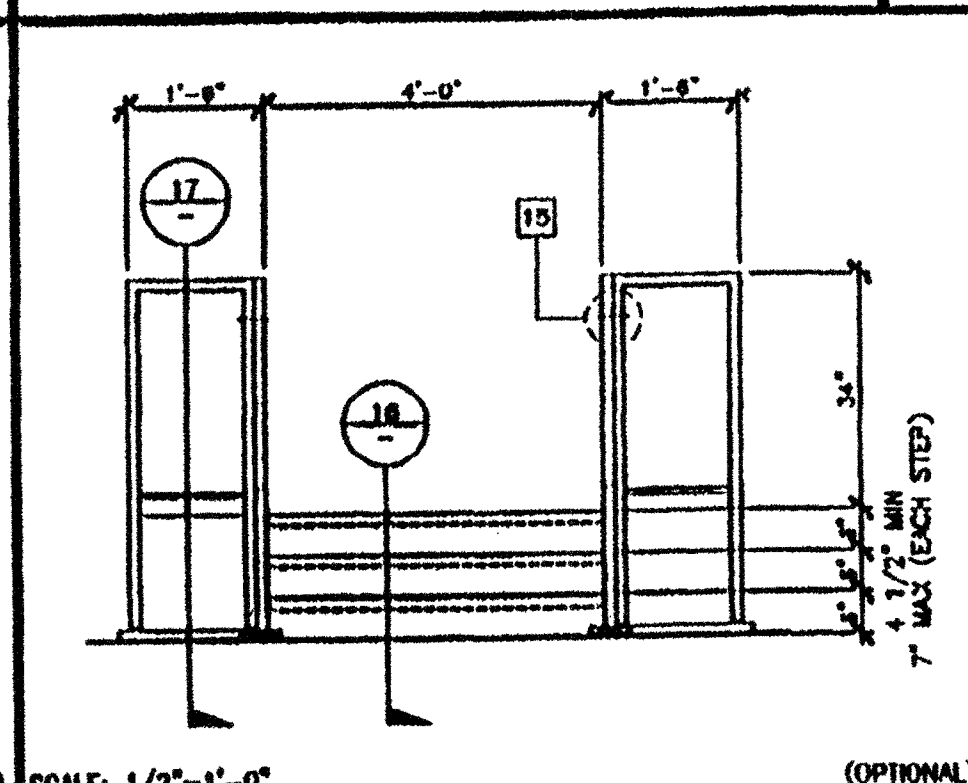
SCALE: 3"=1'-0"



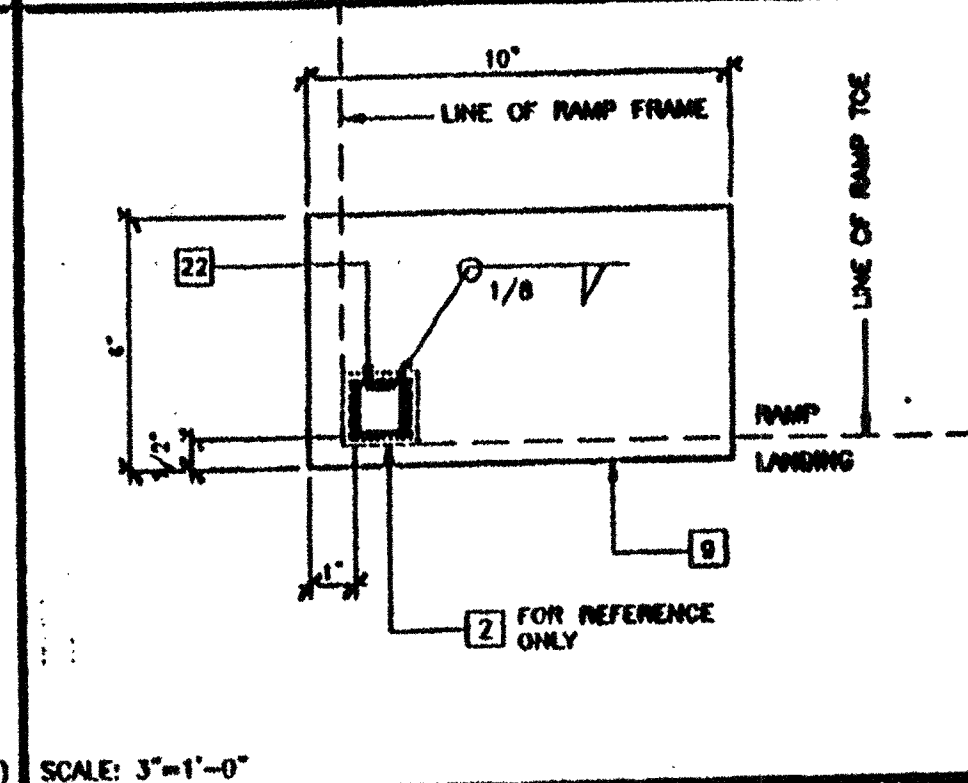
SCALE: 3/4"=1'-0"



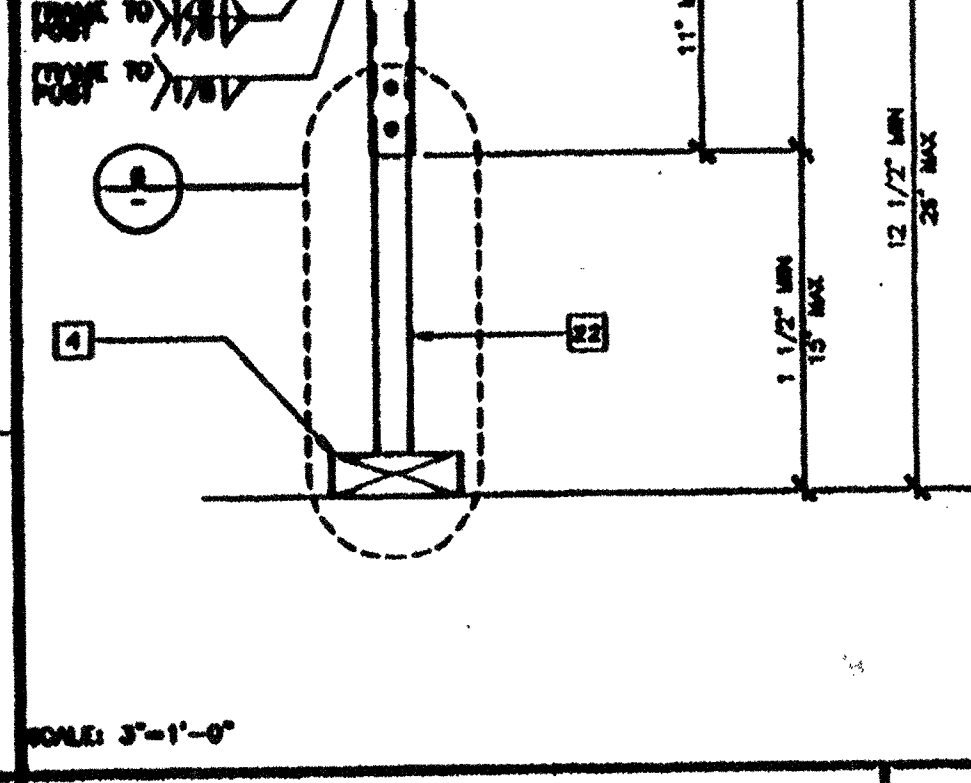
SCALE: 1/2"=1'-0" (OPTIONAL)



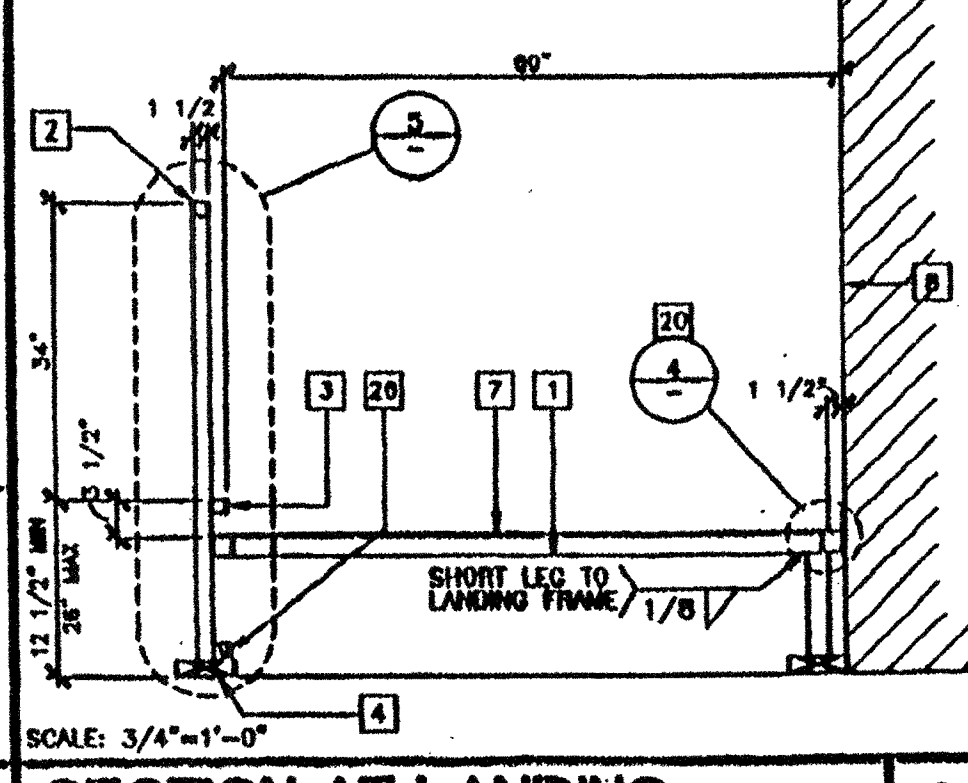
SCALE: 1/2"=1'-0" (OPTIONAL)



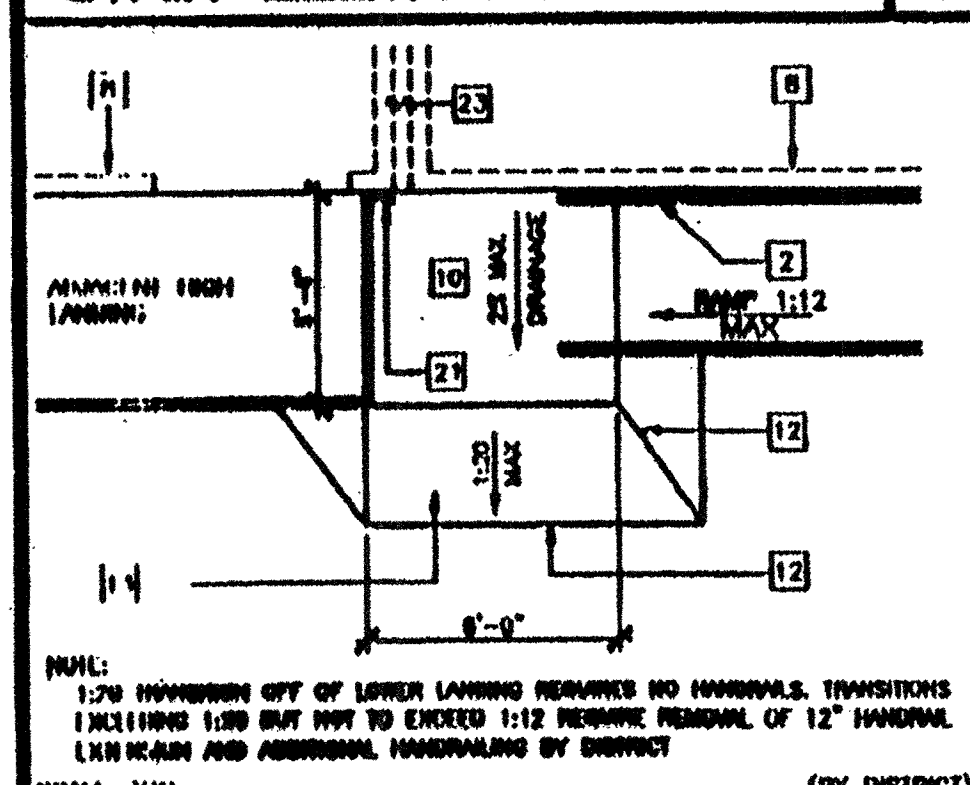
SCALE: 3"=1'-0"



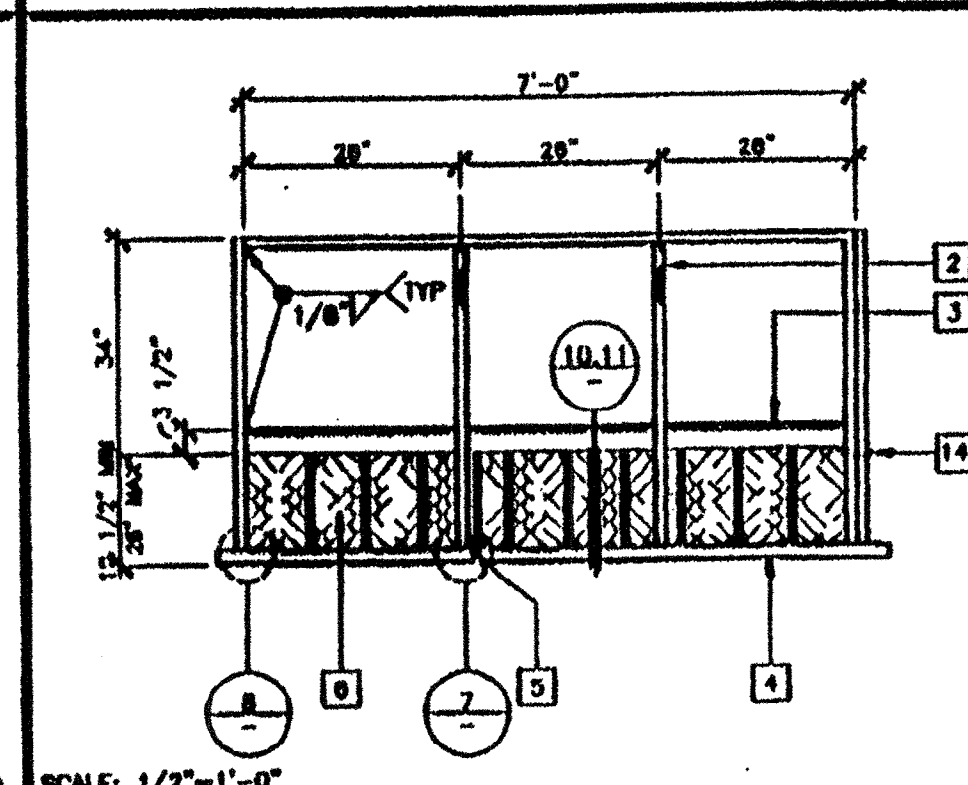
SCALE: 3"=1'-0"



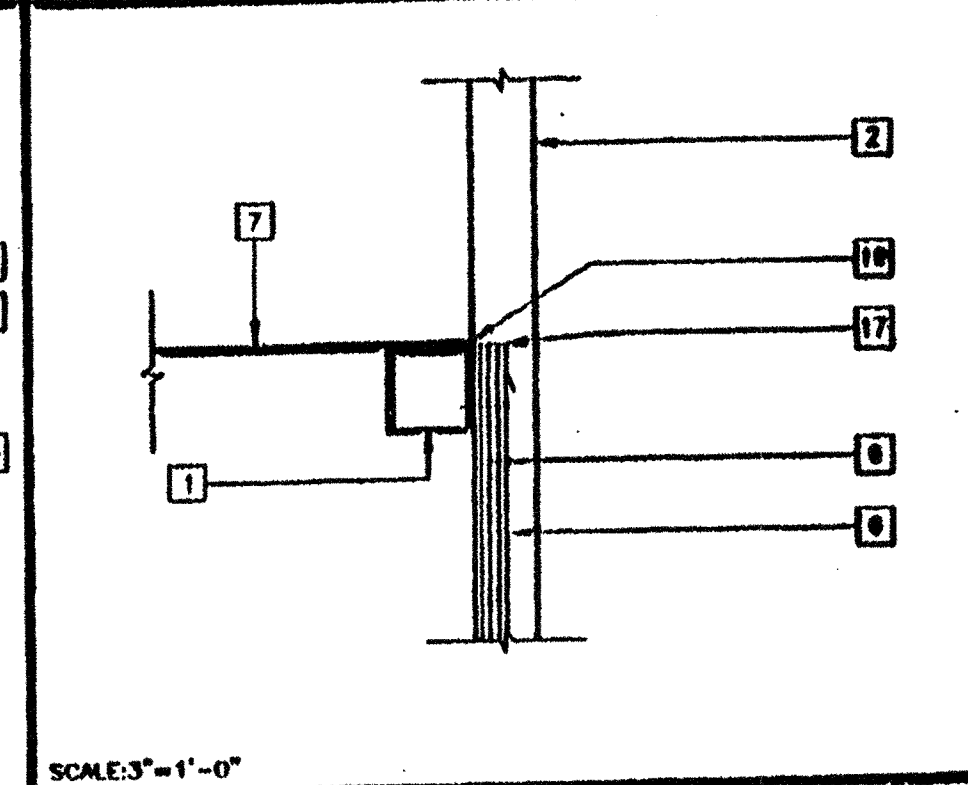
SCALE: 3/4"=1'-0"



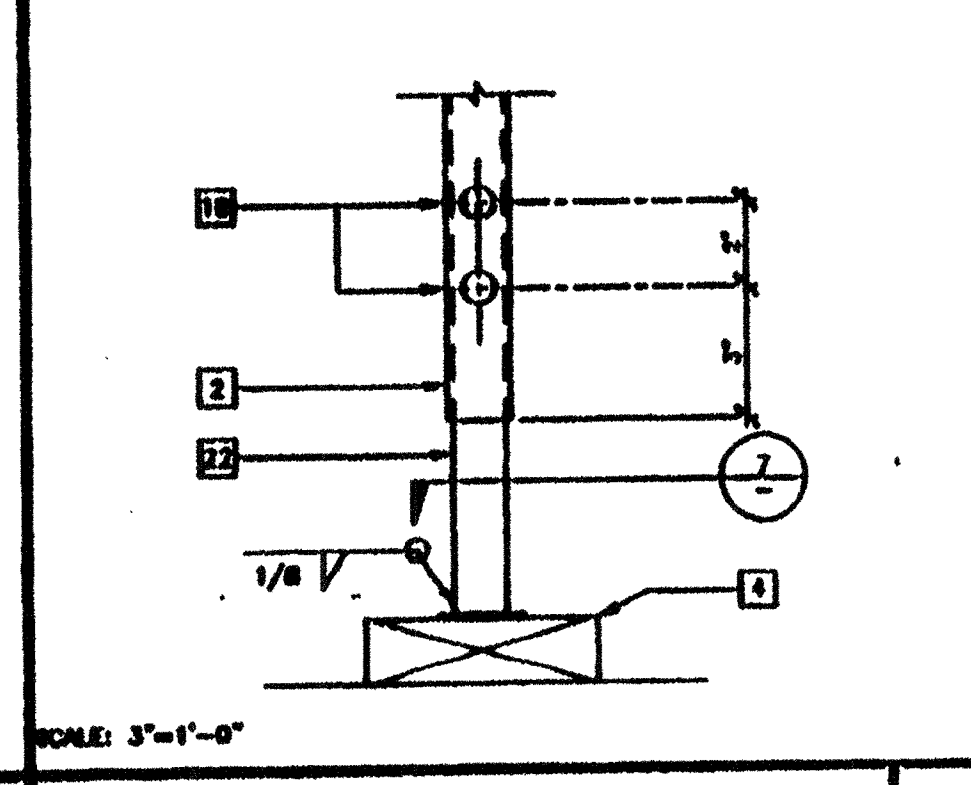
SCALE: NPS (BY DISTRICT)



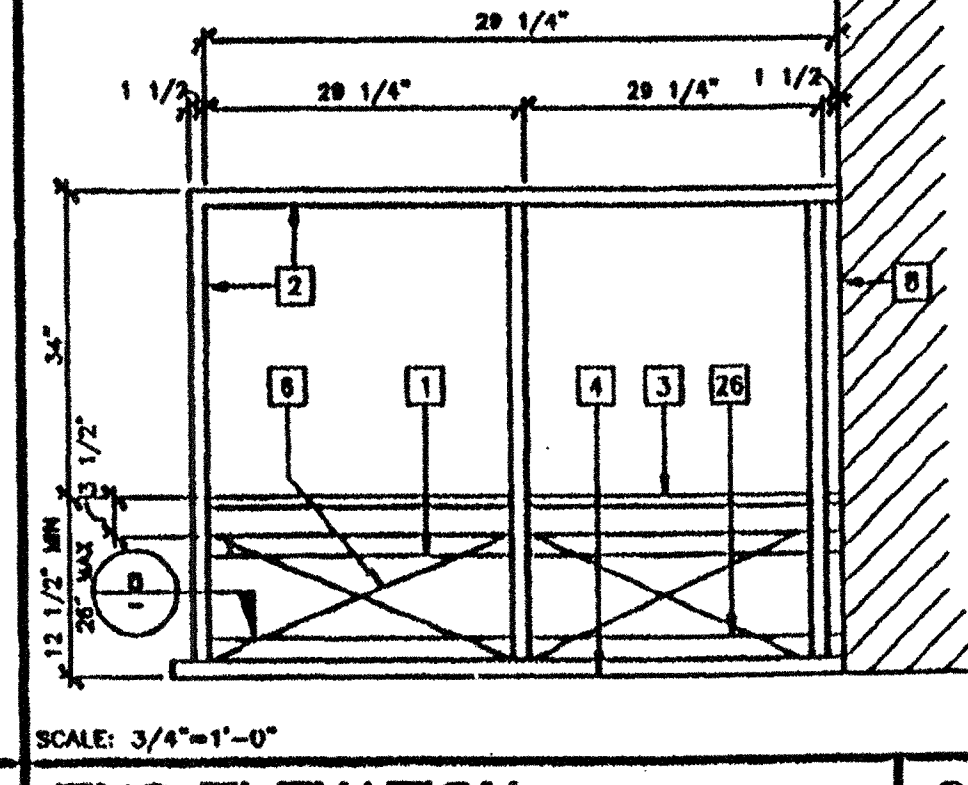
SCALE: 1/2"=1'-0"



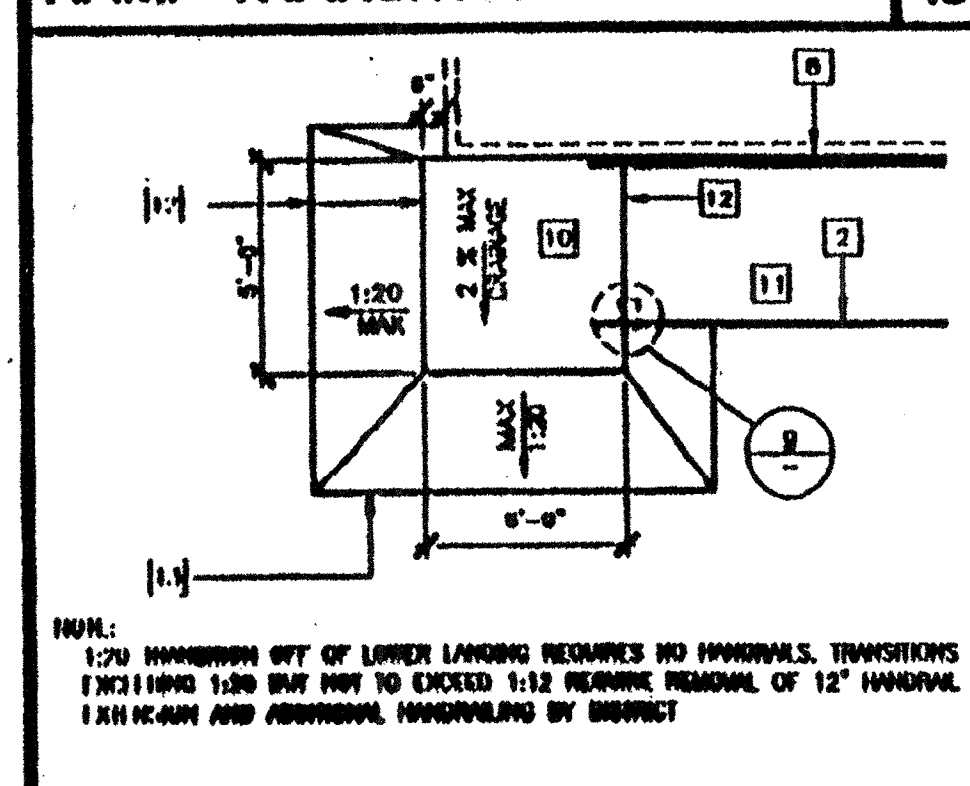
SCALE: 3"=1'-0"



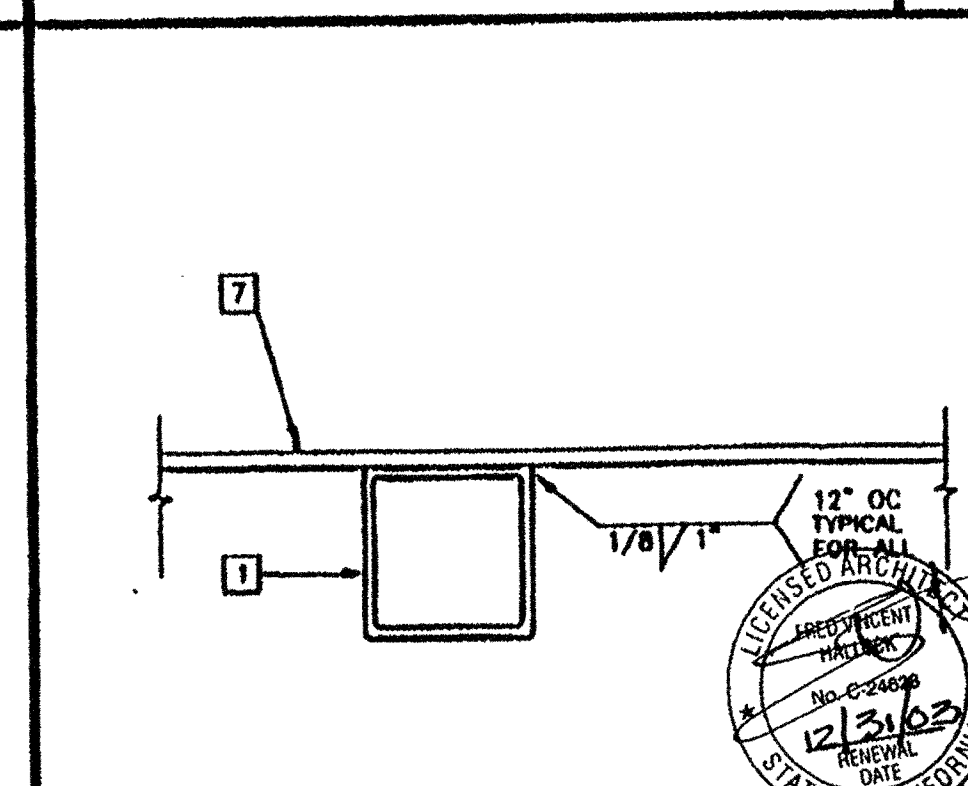
SCALE: 3"=1'-0"



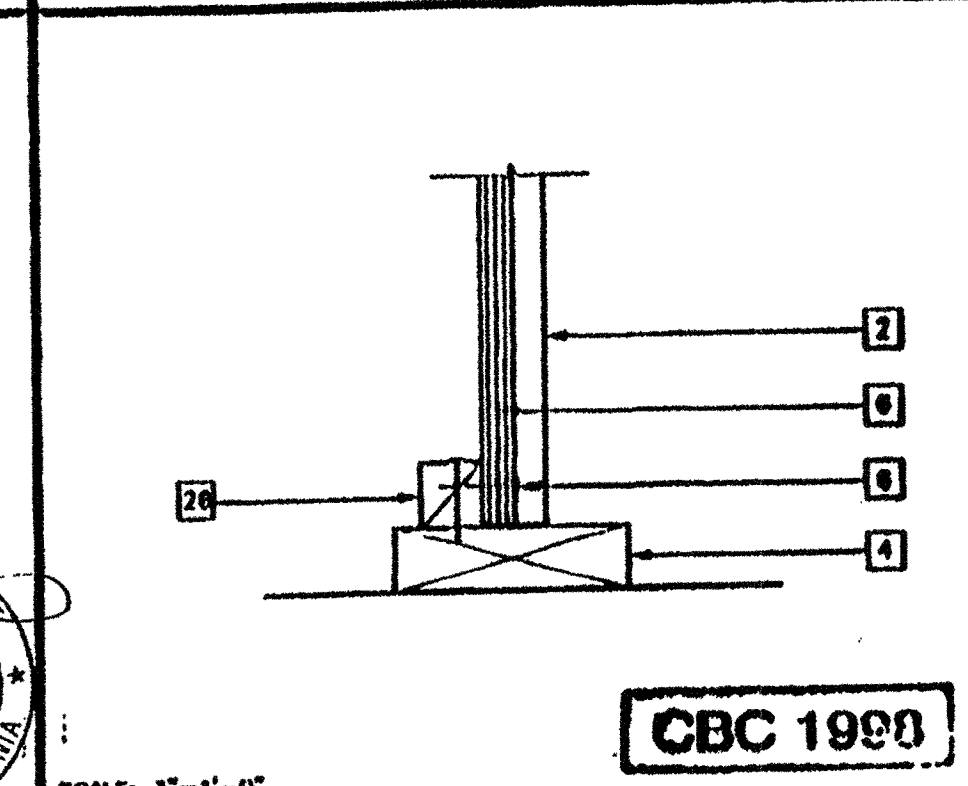
SCALE: 3/4"=1'-0"



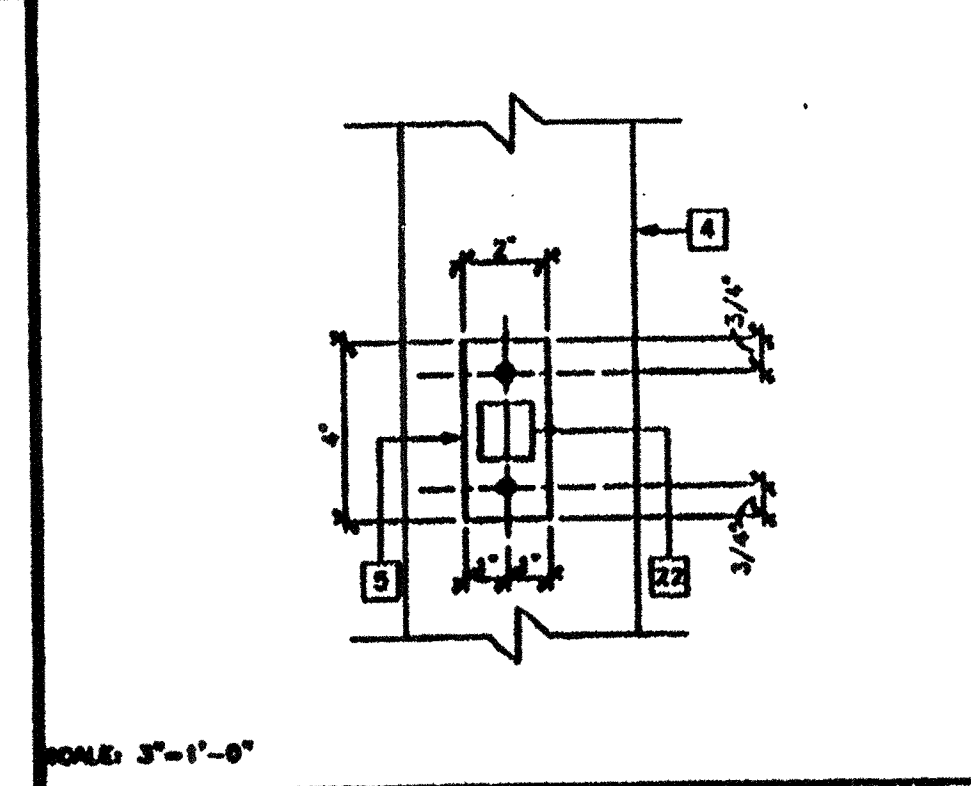
SCALE: NPS (BY DISTRICT)



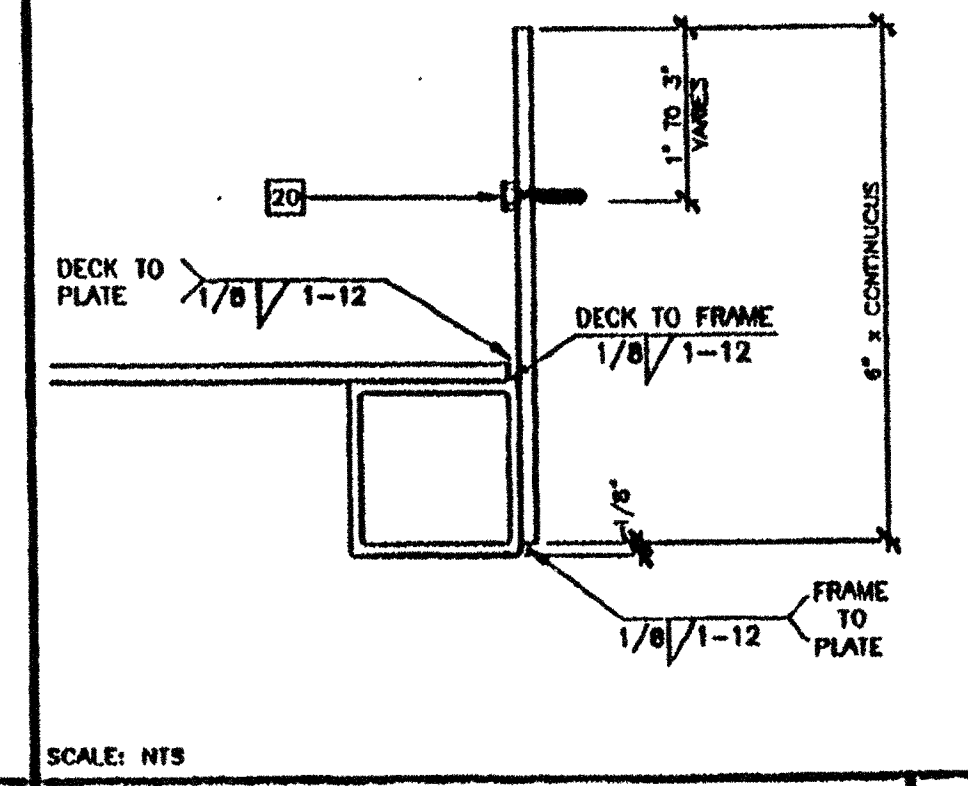
SCALE: NTS



SCALE: 3"=1'-0"



SCALE: 3"=1'-0"



SCALE: NTS

REVISIONS

No.	Description	By	Date

Electrical Engineer's Seal
Mechanical Engineer's Seal
Professional Engineer's Seal
Architect's Seal

APPROVED AND SEALED
OFFICE OF REGISTERED PROFESSIONALS
PC-04
101419
DATE: JUN 27 2003

MODTECH INC.
2830 BARRETT AVENUE
PERRIS, CALIF. 92572
PH (909) 943-4014
FAX (909) 940-0427

PROJECT NUMBER: 4097
WILLIAMS SCOTSMAN
© MODTECH, INC. 1999

DRAWN BY: WQ
DATE: 3/6/02
CHECKED BY: [Signature]
DATE: [Date]
PROJECT NUMBER: No. **R1.02**