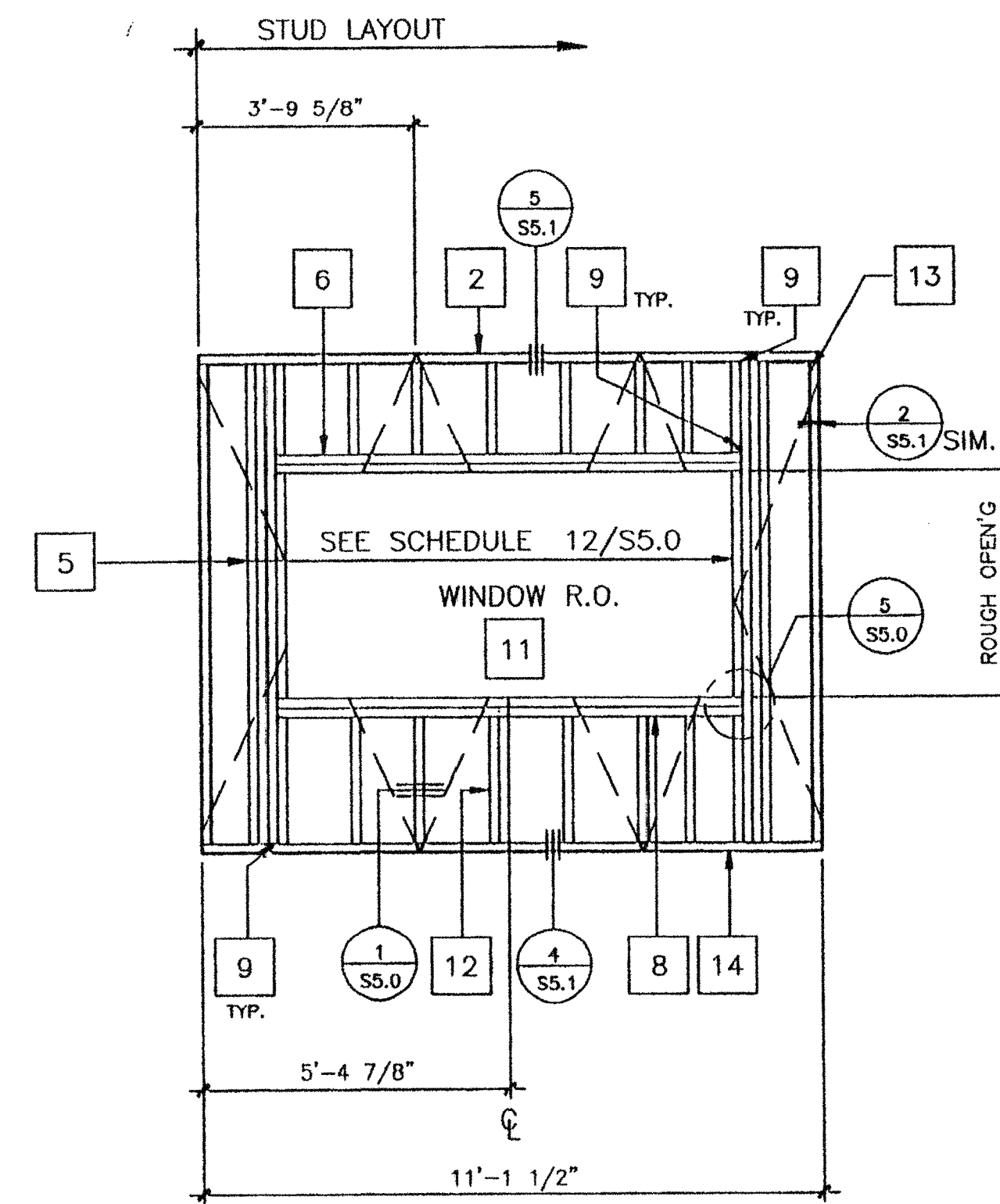
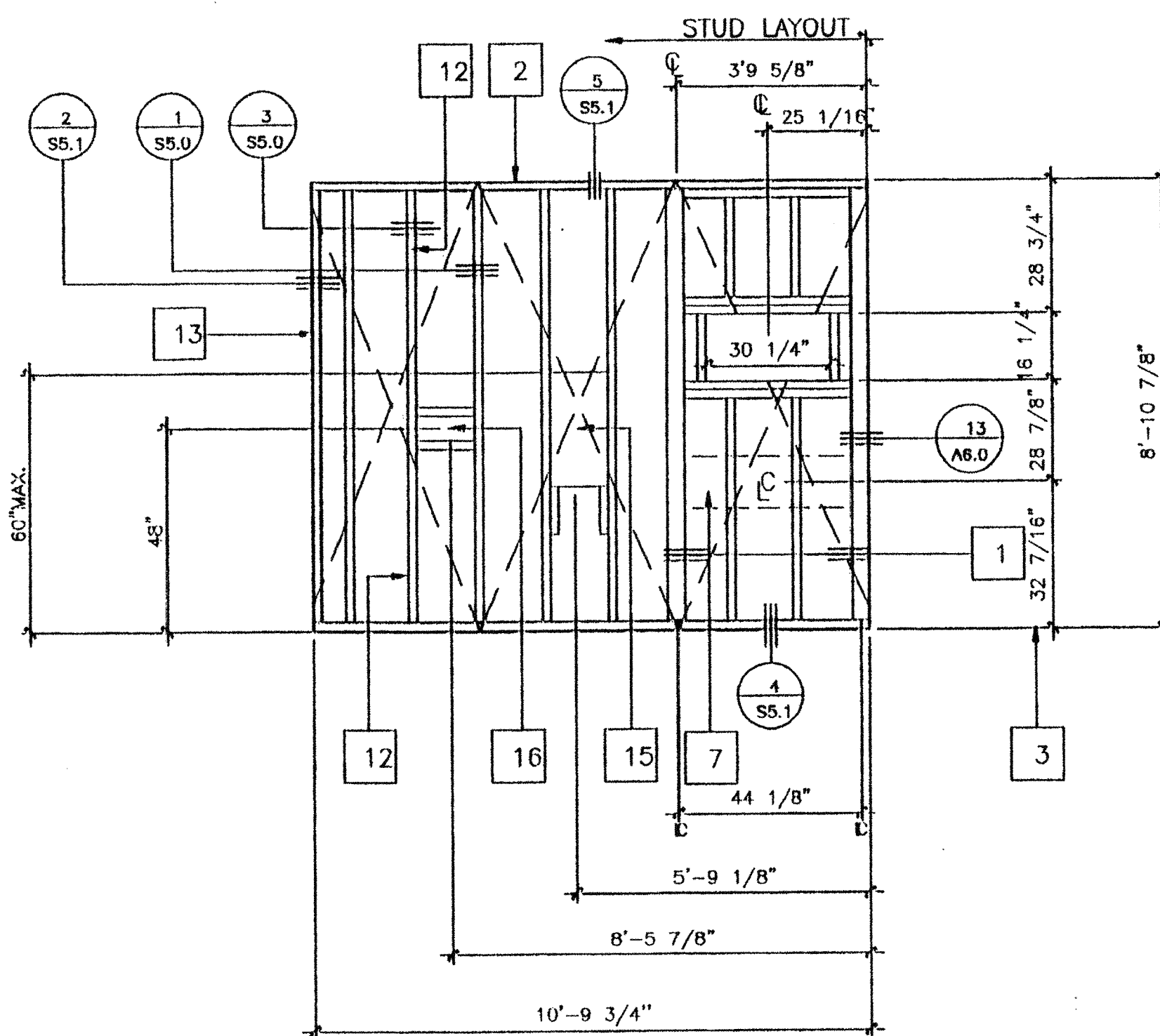


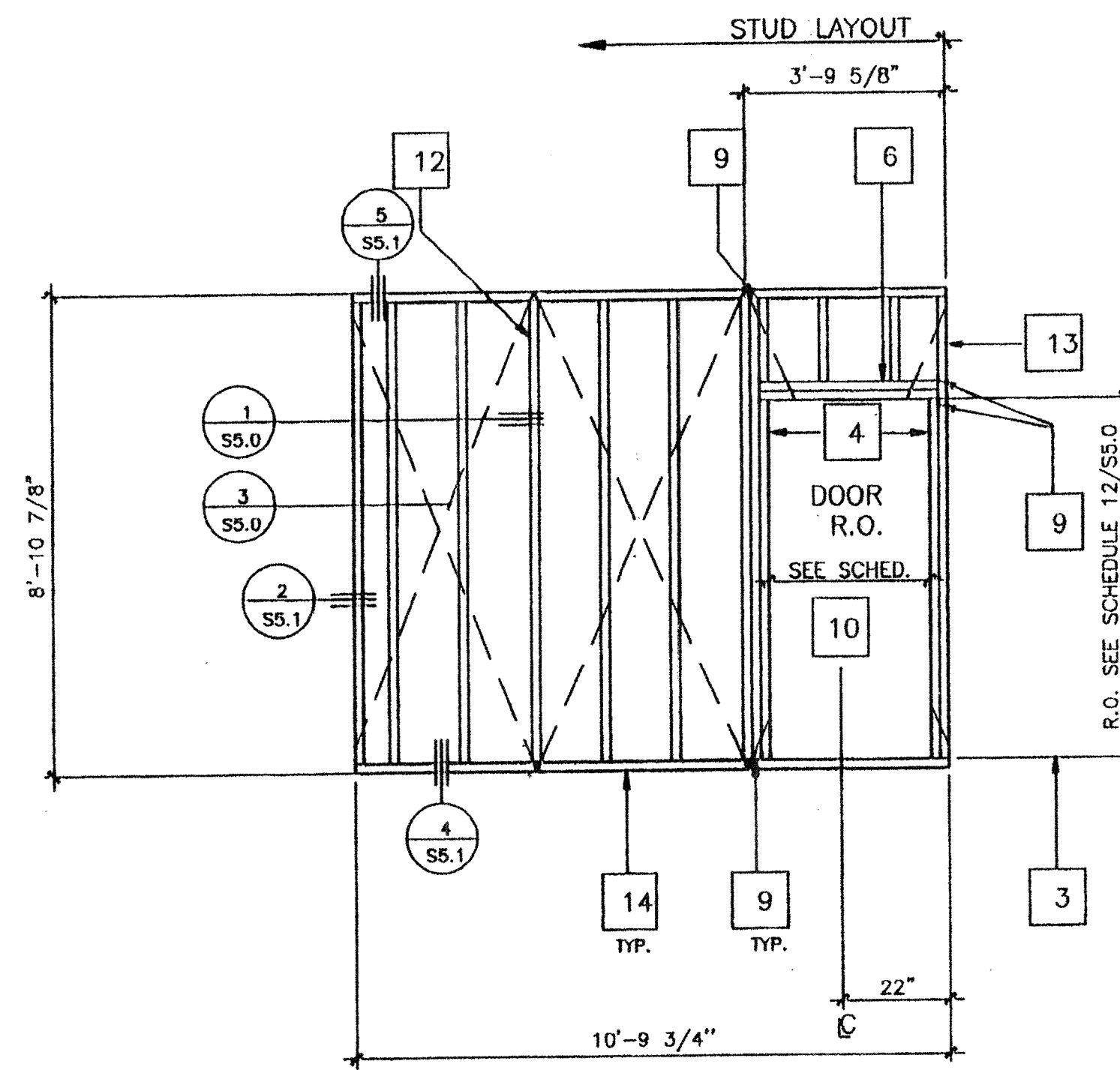
A
A₁ OPPOSITE HAND



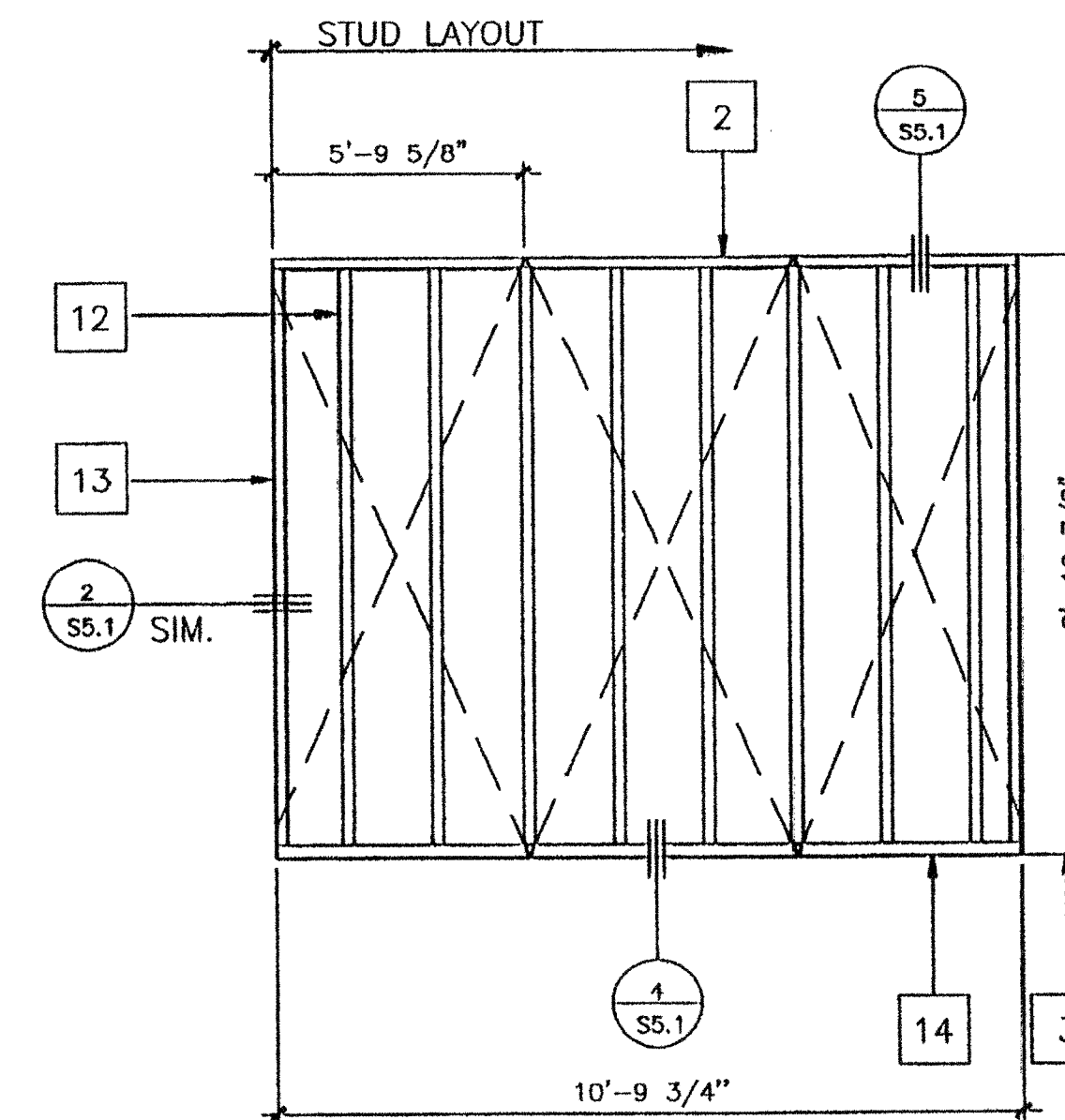
B
B₁ OPPOSITE HAND



C
C₁ OPPOSITE HAND



D
D₁ OPPOSITE HAND



E

SCALE 3/8"=1'

KEY NOTES

- 1 4 X 4 POST ALT.; USE 2-2X4 W/FACE NAILING
- 2 2X4 TOP PLATE
- 3 FINISH FLOOR
- 4 2X4 FULL HGT. KING STUDS AND 2X4 TRIMMER (SEE SCHEDULE FOR QUANTITY SHT S5.1)
- 5 FULL HEIGHT STUDS AND 1-2X4 TRIMMER (SEE WINDOW SCHEDULE FOR JAMB STUDS REQUIRED. SHEET S5.0)
- 6 HEADER (SEE SCHEDULE)
- 7 26GA X 4" WIDE STRAP
- 8 WINDOW SILL PLATE (SEE SCHEDULE)
- 9 A 34 CLIPS AT HEADER & SILL TO FULL HGT. STUDS AND FULL HGT. STUDS TO TOP AND BOTTOM PLATES. SEE 4/S5.0
- 10 REQUIRED OPENING FOR A 3068 DOOR (SEE DETAIL 7/S5.0)
- 11 REQUIRED OPENING FOR A 8040 WINDOW (SEE DETAIL 6/S5.0)
- 12 2X4 STUD AT 16" O.C. TYPICAL
- 13 2X4 NAILER TYPICAL AT EACH END
- 14 2X4 SILL PLATE
- 15 FRAME FOR ELECTRICAL PANEL
- 16 THERMOSTAT LOCATION 4S BOX

REVISED
JUL 1999
04 101527
AC FLS SS
DATE MAY 20 1999
IDENTIFICATION STAMP
DIV. OF THE STATE ARCHITECT
OFFICE OF REGULATION SERVICES
04 101527
AD FLS SS
DATE SEP 02 1999

REVISIONS	Electrical Engineer's Seal	Mechanical Engineer's Seal	Structural Engineer's Seal	Architect's Seal
1				
2				
3				
4				
5				
6				

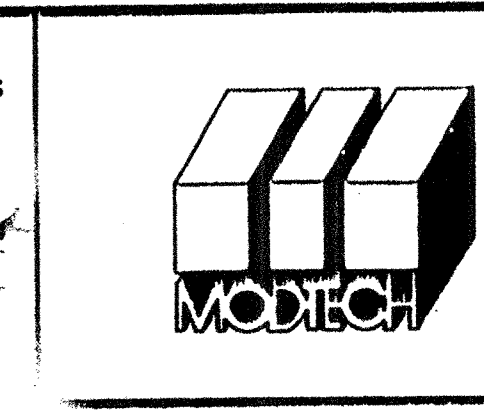
Electrical Engineer's Seal

Mechanical Engineer's Seal

Structural Engineer's Seal
S. V. MISIRY
No. 5349
DATE FEB 19 1999

Architect's Seal

IDENTIFICATION STAMP
DIV. OF THE STATE ARCHITECT
OFFICE OF REGULATION SERVICES
PC-270
AC FLS SS
DATE FEB 19 1999
REVISED



MODTECH INC.
2830 BARRETT AVENUE
PERRIS, CALIF. 92572
PH (909) 943-4014
FAX (909) 940-0427

PROJECT NUMBER:
WALL FRAMING

© MODTECH, INC. 1999
DRAWN BY: RYF
DATE: 2-2-99
CHECKED BY: SS
DATE: SS
MODTECH PROJECT NO:
MODTECH Index No.

S4.0

FILE PATH: PC270S40.DWG

PROJECT NO. PC-270