

KEY NOTES

- 1 EN @ PLYWOOD EDGES
- 2 22GA STANDING SEAM ROOF
- 3 6 3/8"x2 1/2"x12GA. FLR. JOIST 6/S2.1
- 4 6X2 1/2"x14GA. ROOF PURLIN 2/S2.1
- 5 3"x3"x3"x26GA ROOF END CLOSURE W/#10 STSMS W/NEOPRENE WASHER TOP & BOT.
- 6 [7 X 9.8 FLOOR HEADER
- 7 [10 GA. TAPERED ROOF BEAM (SEE 3/S2.1) OR 12/S2.1 REFER TO RF. FRAMING PLAN
- 8 T.S. 3 1/2"x3 1/2"x1/4" COLUMN
- 9 BACK-UP PLATE MIN. 10 GA.
- 10 [7X9.8 FLOOR CHANNEL
- 11 3 1/2"x3 1/2"x1/4" STEEL PLATE WELDED FLUSH TO TOP AND BOTTOM OF CHANNEL FLANGES
- 12 NOT USED
- 13 3 1/2"x3 1/2"x1/4 STIFFENER ANGLE COPE TO FIT C7 X 9.8
- 14 STIFFENER COPED TS 3 1/2"x3 1/2"x1/4
- 15 [14"x3 1/2"x12GA. HEADER (SEE 3/S2.1)
- 16 LOCATION OF HVAC OPENING
- 17 3"x3"x1/4" THICK X 1/2" LONG INSERT POST
- 18 3" X 1/4" FULL DEPTH STIFFNER PLATE AT 4'-0" O.C. ALIGN WITH PURLIN EXTERIOR BAYS (SIDEWALLS) ONLY. SEE 9/S2.1 FOR WELDING SEE 11/S2.1 FOR PURLIN WELDING

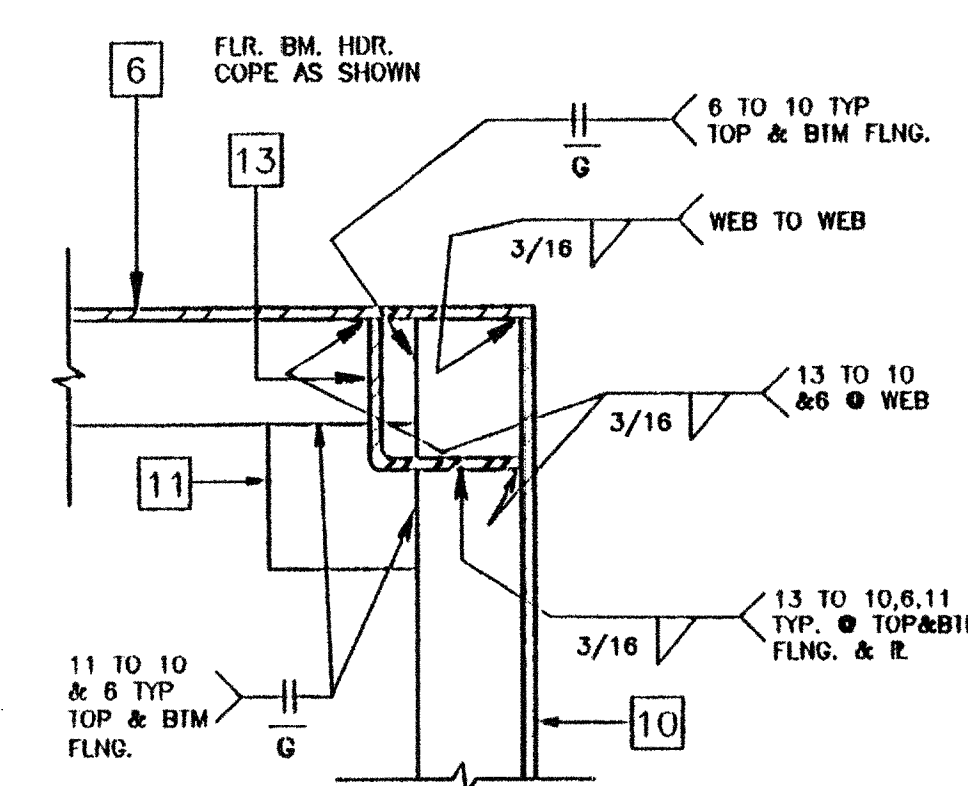
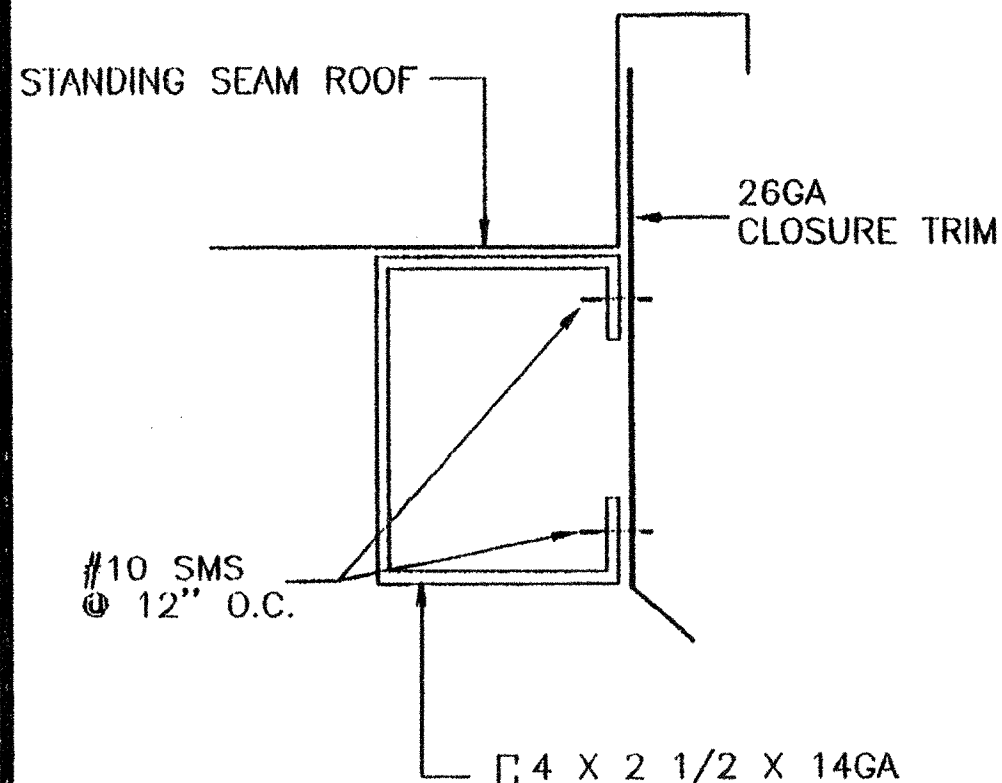
10

SECTION AT SIDEWALL

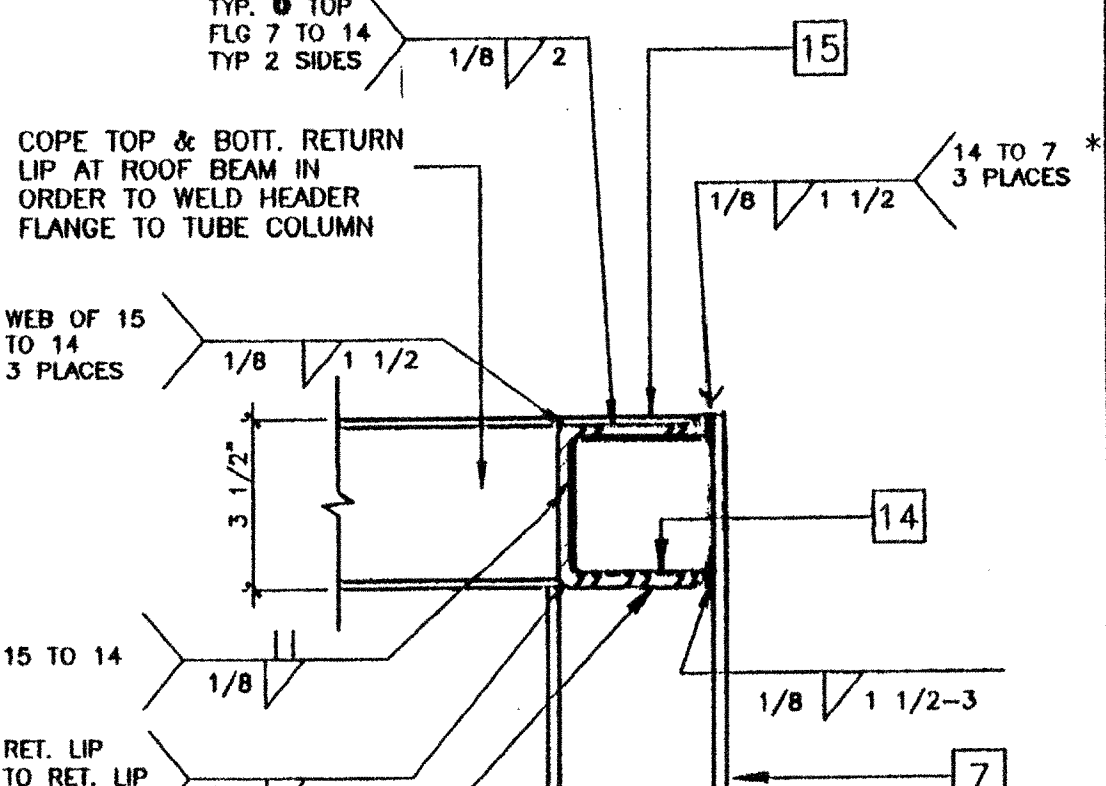
B

SECTION AT ENDWALL

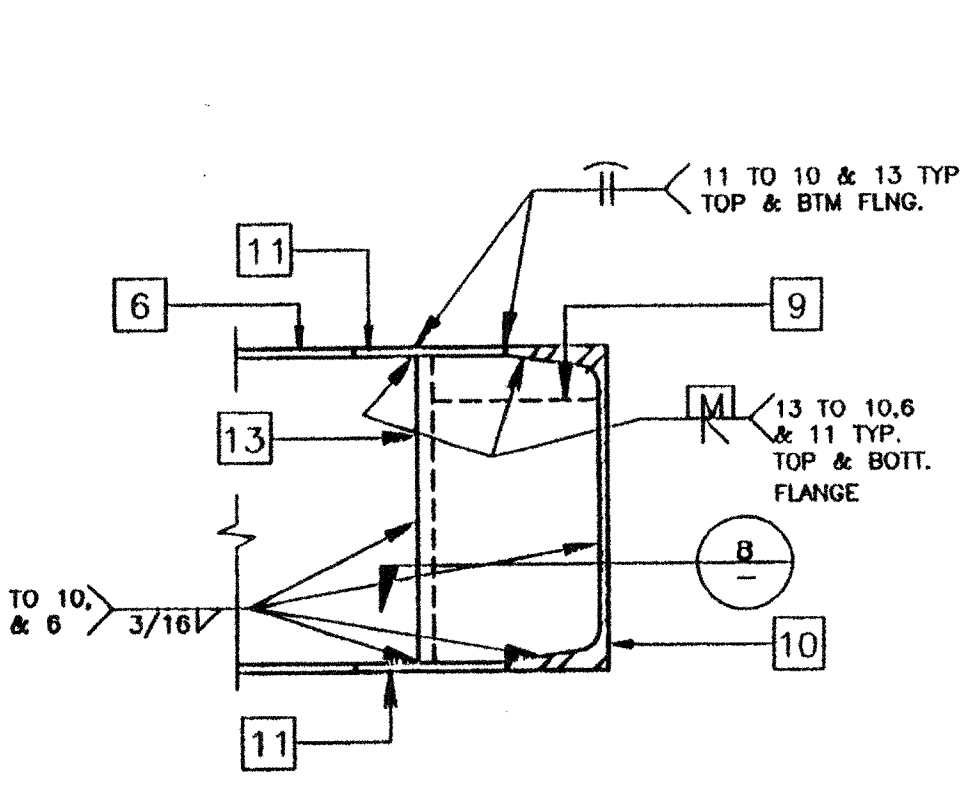
A



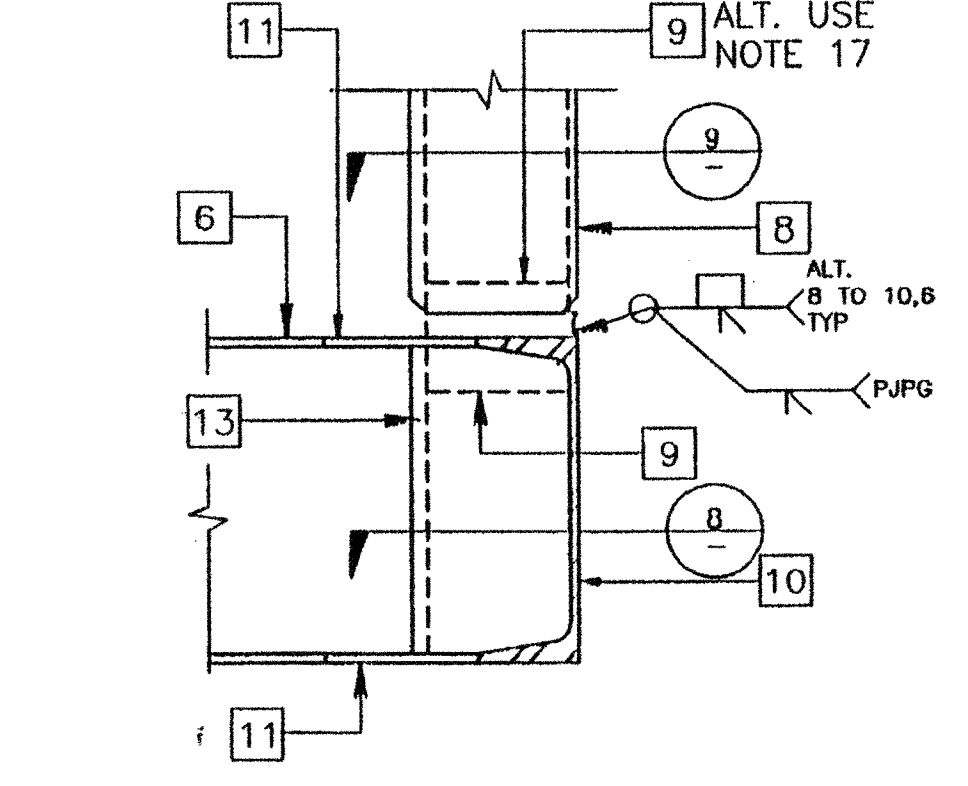
SCALE: 3"=1'



SCALE: 3"=1'



SCALE: 3"=1'



SCALE: 3"=1'

SECTION THRU OVERHANG BEAM

11

STIFFENER SECTION AT FLOOR

8

STIFFENER SECTION AT ROOF

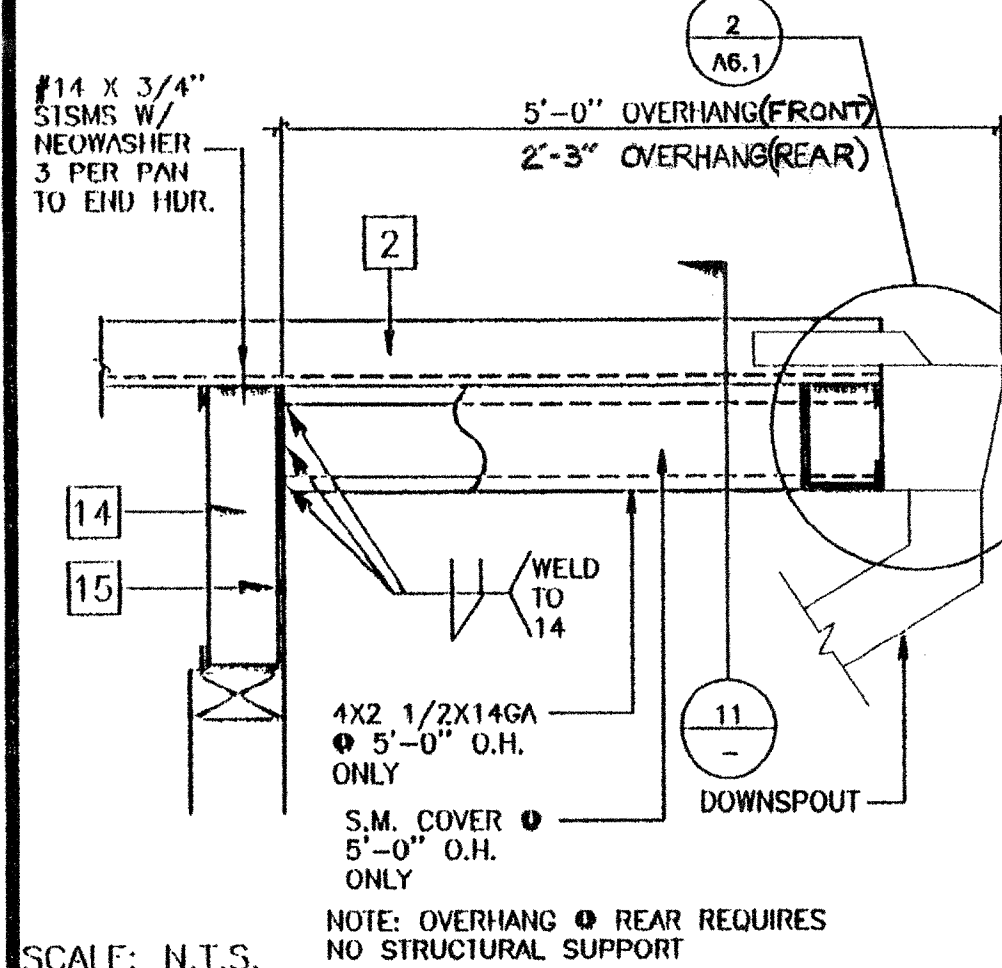
6

COLUMN CONN. AT FLOOR

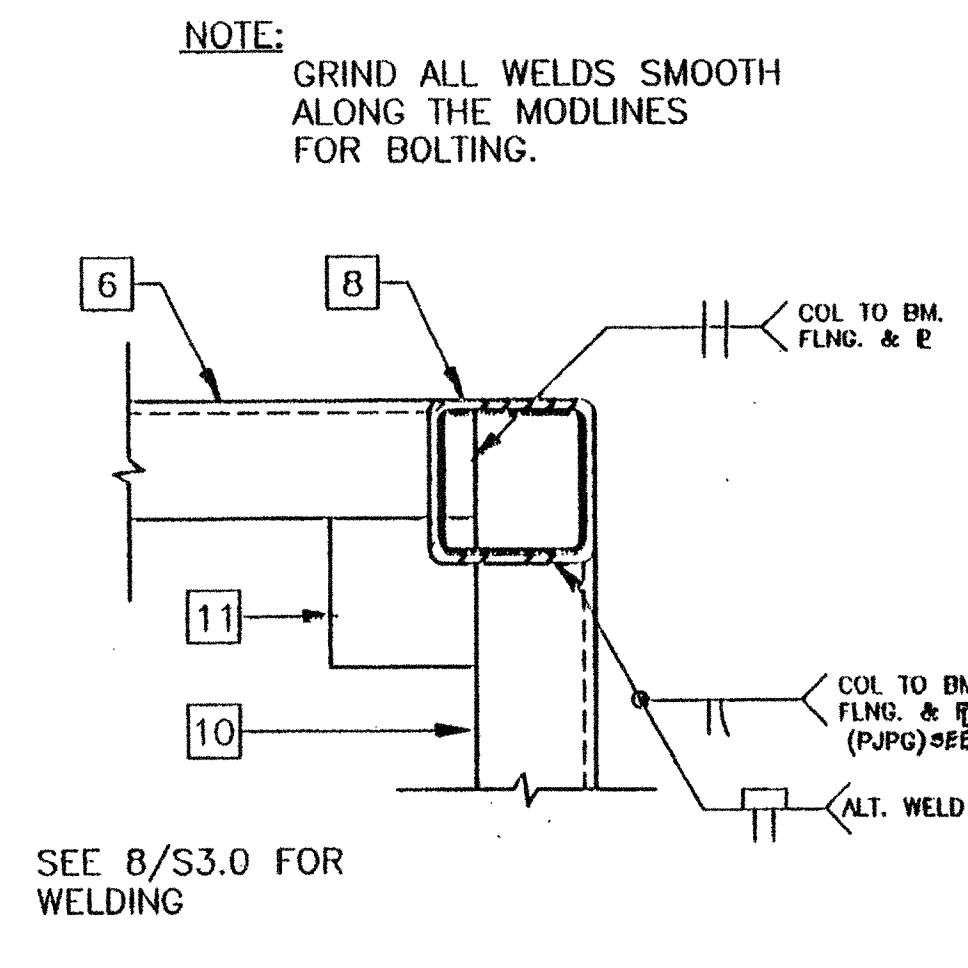
4

COLUMN CONN. AT FLR.

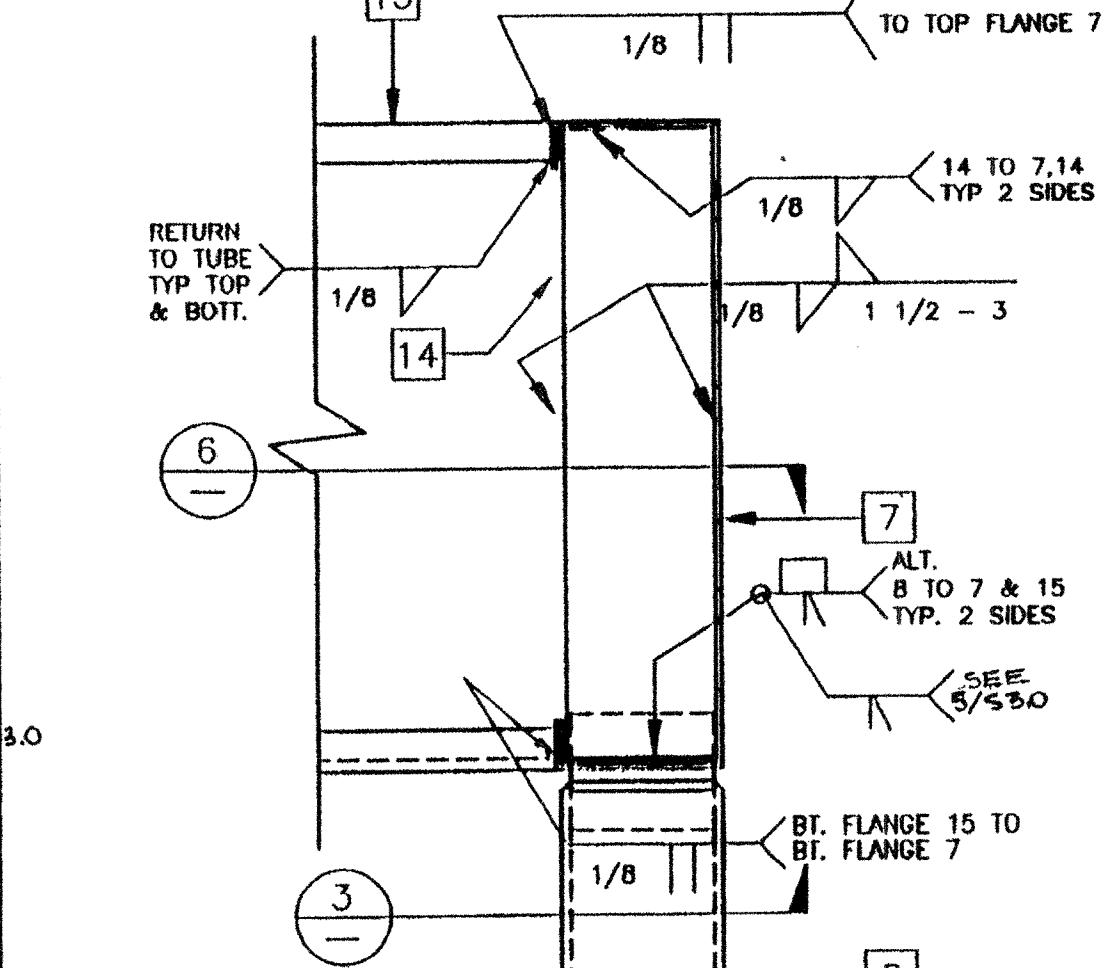
1



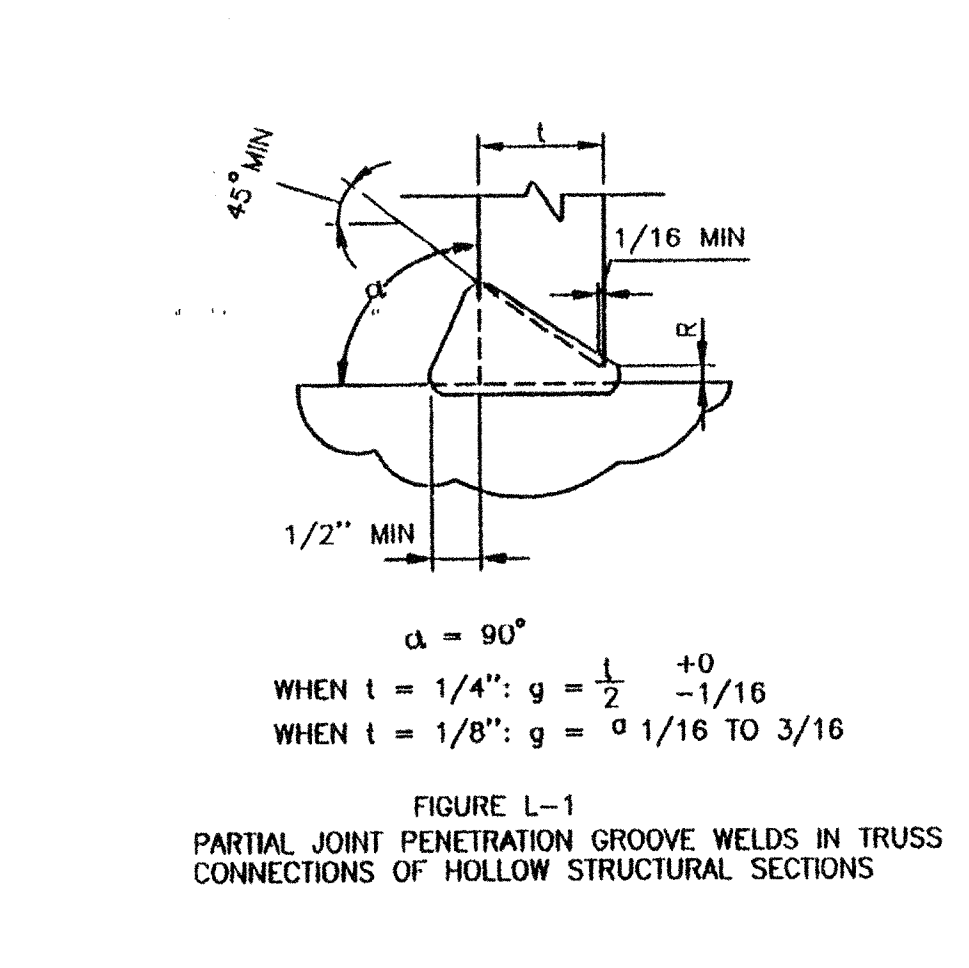
SCALE: N.T.S.



SCALE: 3"=1'

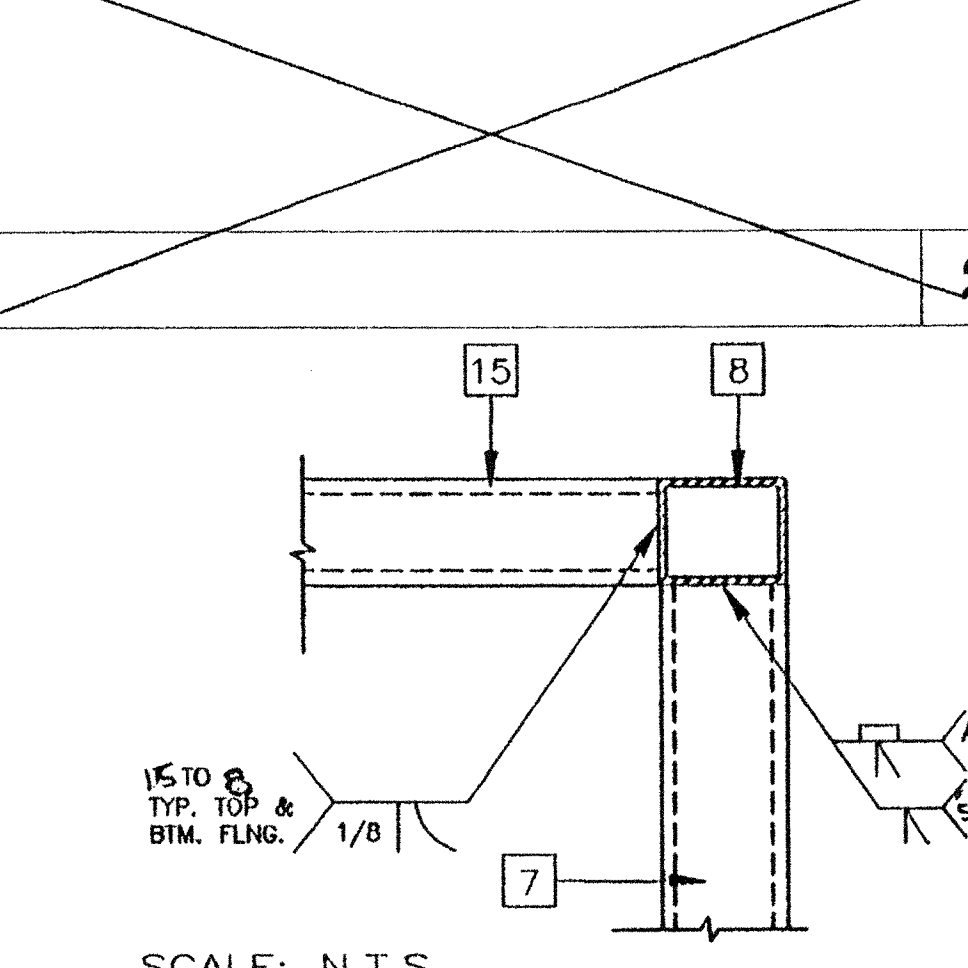


SCALE: 3"=1'



P.J.G.P. WELD DETAIL

5



COLUMN AT ROOF BEAM

3

REVISED
 JUL 1 1999
 DIVISION OF THE STATE ARCHITECT
 OFFICE OF REGULATION SERVICES
 04 10 15 4
 AC FLS SS CP
 DATE MAY 20 1999
 IDENTIFICATION STAMP
 DIV. OF THE STATE ARCHITECT
 OFFICE OF REGULATION SERVICES
 04 10 15 2
 AC FLS SS CP
 DATE SEP 02 1999

REVISIONS

1	
2	
3	
4	
5	
6	

Electrical Engineer's Seal
 Mechanical Engineer's Seal
 Structural Engineer's Seal
 Architects Seal

IDENTIFICATION STAMP
 DIV. OF THE STATE ARCHITECT
 OFFICE OF REGULATION SERVICES
 PC-270
 AC FLS SS
 DATE FEB 19 1999
 REVISED

MODTECH INC.
 2830 BARRETT AVENUE
 PERRIS, CALIF. 92572
 PH (909) 943-4014
 FAX (909) 940-0427

PROJECT NUMBER: XXXX © MODTECH, INC. 1999
 DRAWN BY: RYF
 DATE: 2-2-99
 CHECKED BY: SS
 DATE:
 MODTECH PROJECT NO: XXXX
 MODTECH INDEX NO:
FRAMING ELEVATIONS/DETAILS

S3.0

FILE PATH: PC270S30.DWG

PROJECT NO. XXXX

PC-270