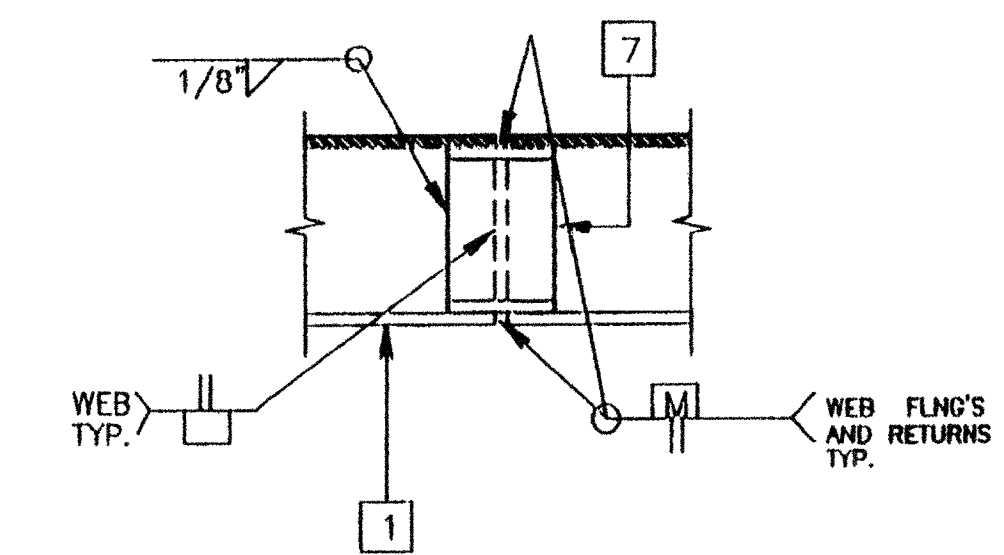
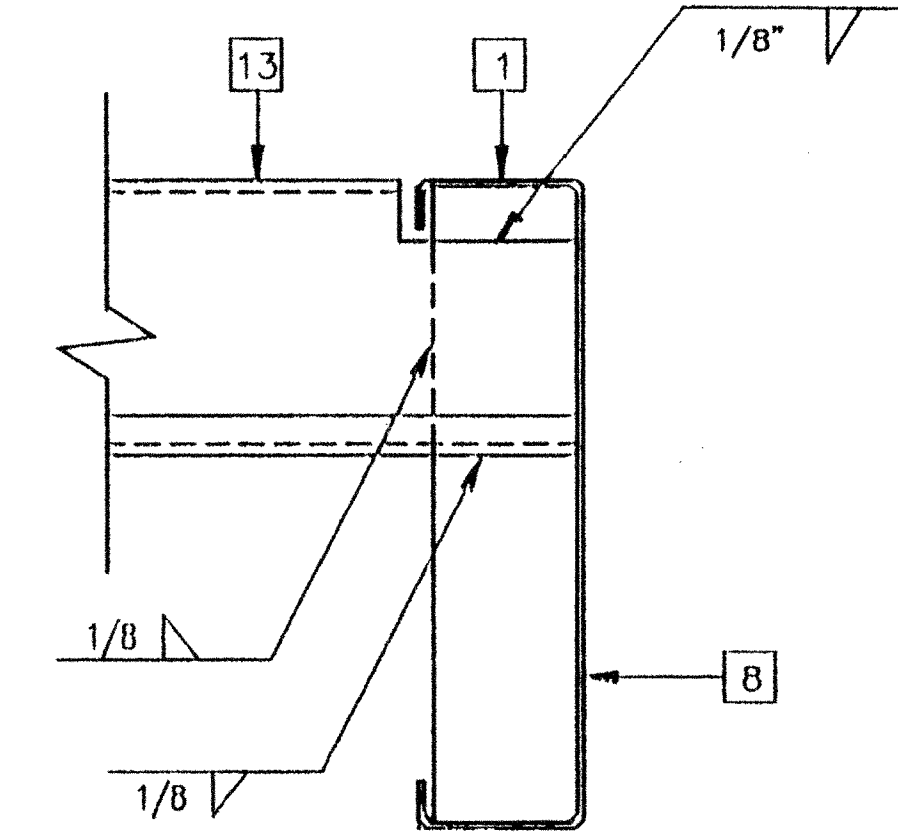
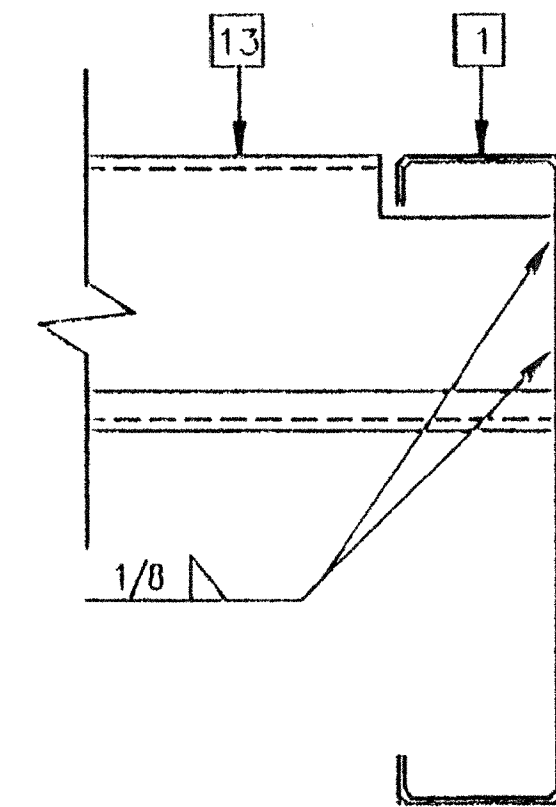
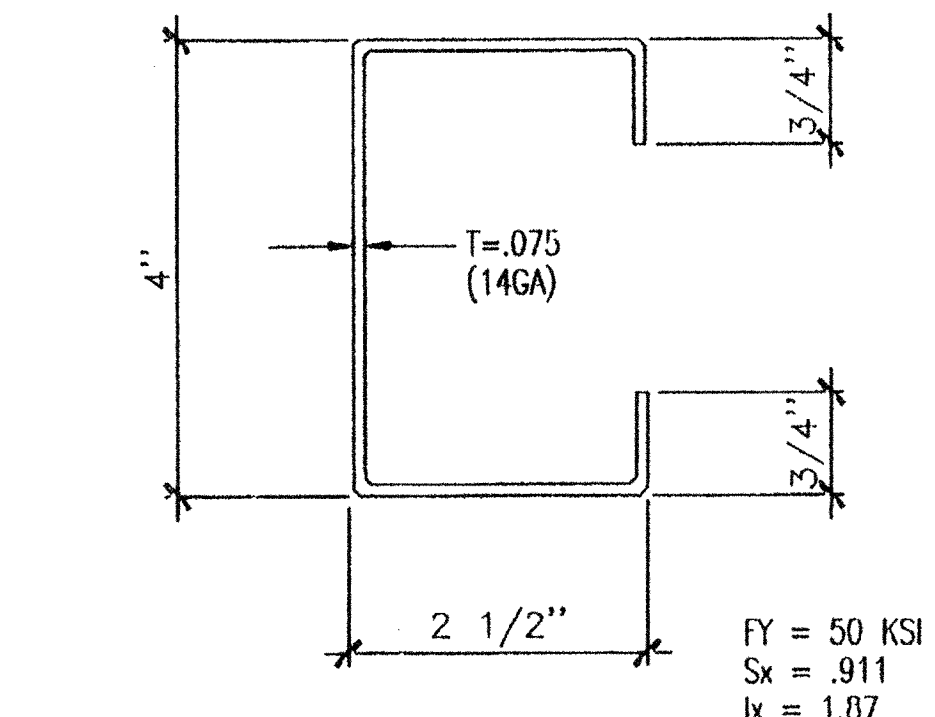


KEY NOTES

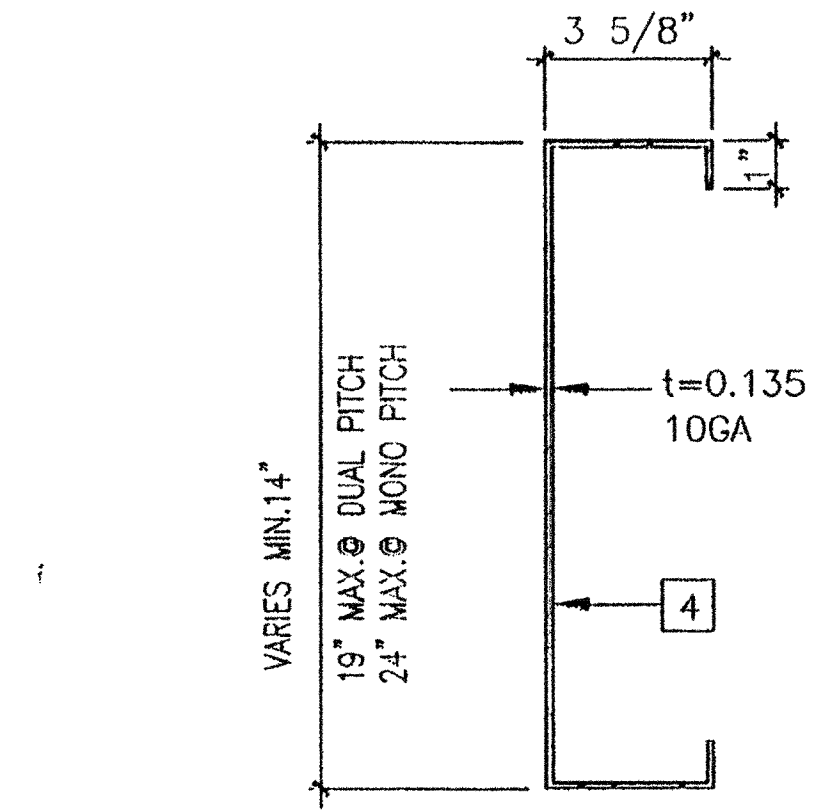
- 1 10GA. TAPERED RF. BM. SEE 7/S2.1 & 1/S2.1
- 2 NOT USED
- 3 TS 3 1/2"X3 1/2"X1/4" COLUMN
- 4 C 14"X10GA. RF. HDR. SEE 3/S2.1
- 5 NOT USED
- 6 FLOOR JOIST SEE 6/S2.1
- 7 10GA. BENT PLATE BACK-UP
- 8 STIFFENER @ 3" X 1/4" THK.
- 9 #10 STSMS @ 6" O.C. (SEE S1.0)
- 10 PLYWOOD FLR. SHEATHING
- 11 FLOOR BEAM SEE 5/S2.1
- 12 NOT USED
- 13 J 6" X 2 1/2" X 14GA PURLIN  
ALT: J 4" X 3" X 12GA



BEAM SPLICE AT RIDGE 8

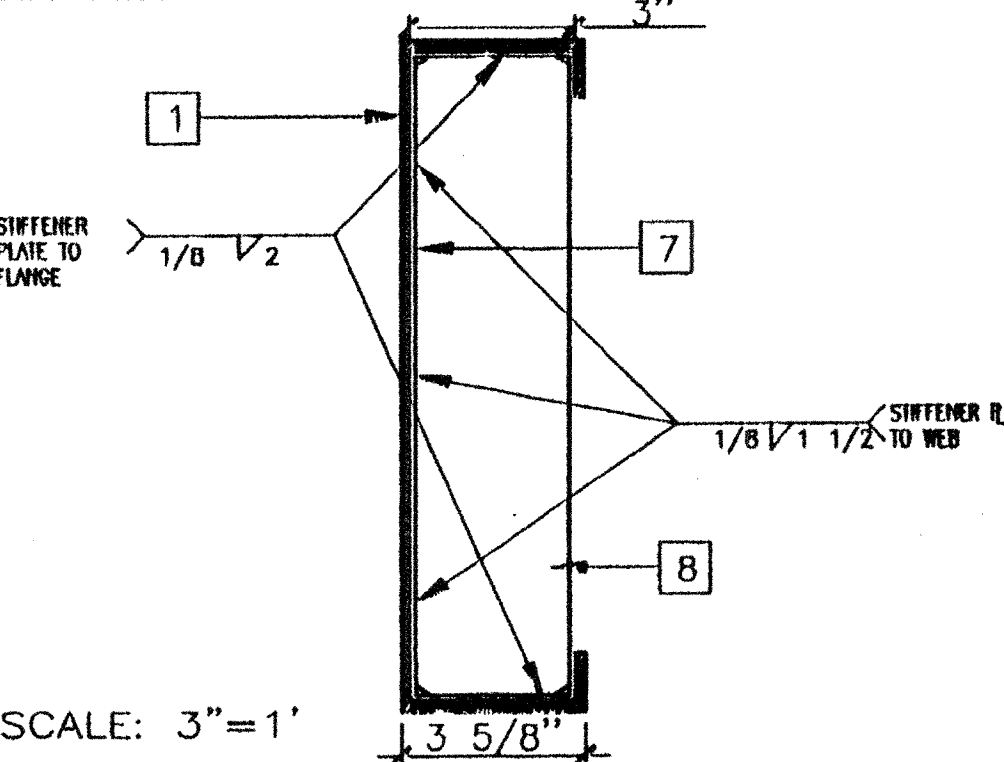


FACIA AT 5' OVERHANG BM. 4

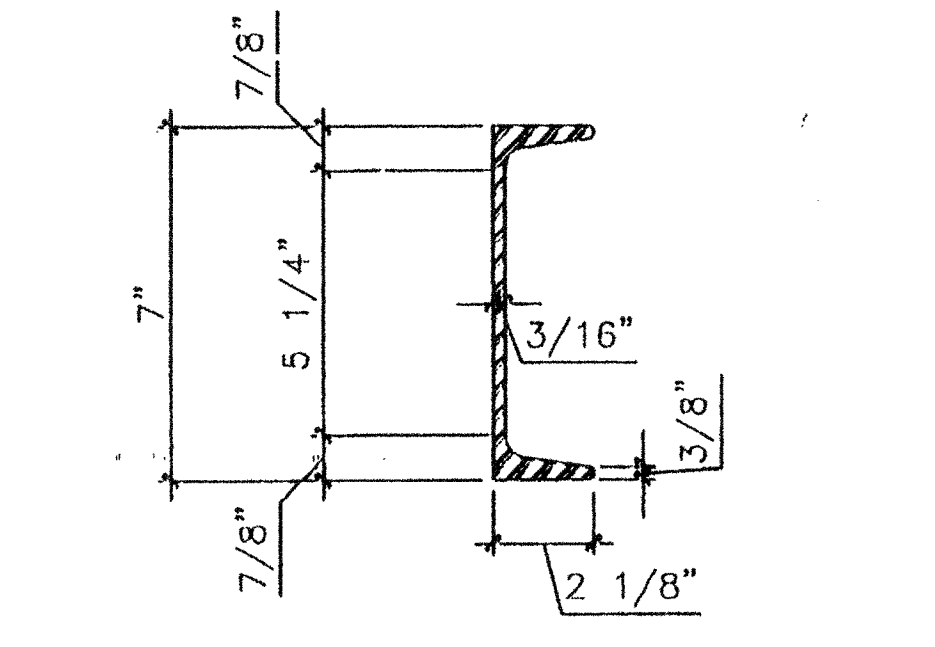


19 X 3 1/2 X 10 GA { Sx = 17.728 IN<sup>3</sup>  
Ix = 168.414 IN<sup>4</sup>

24 X 3 1/2 X 10 GA { Sx = 25.17 IN<sup>3</sup>  
Ix = 302.04 IN<sup>4</sup>



BEAM SPLICE W/STIFFENER 9

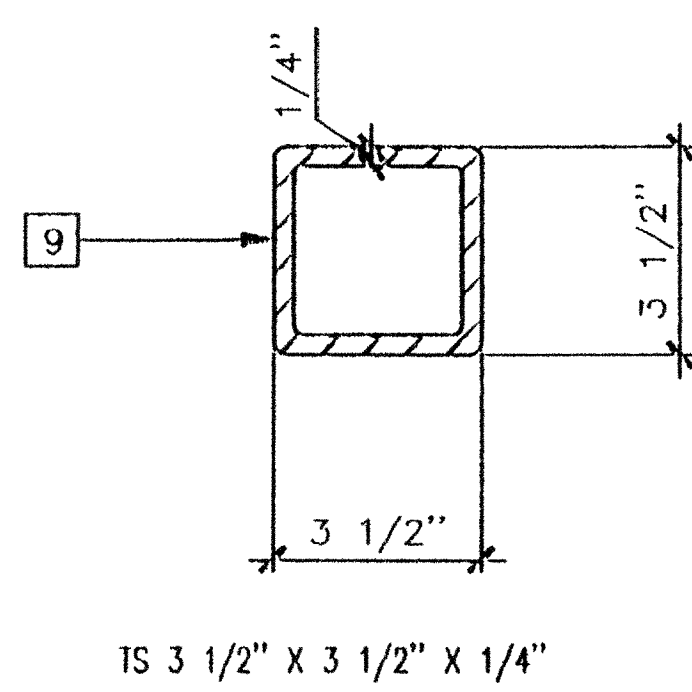


FLOOR BEAM C7X9.8 5

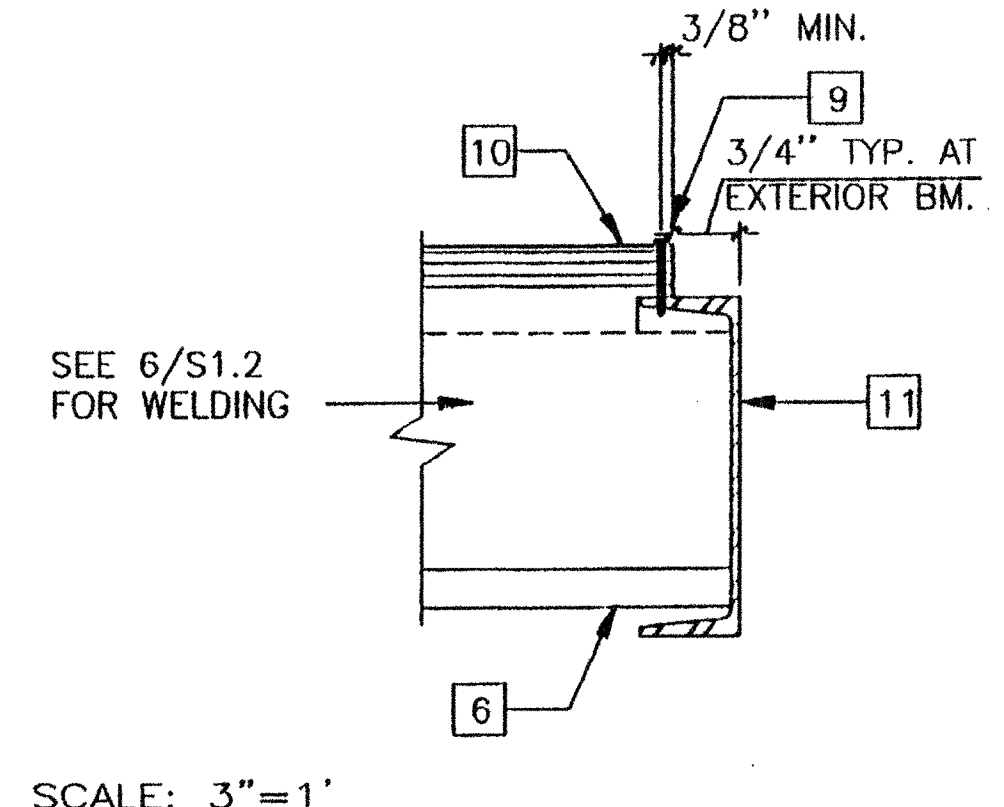
TAPERED ROOF BEAM 1

PURLIN AT INT. SIDE WALLS 13

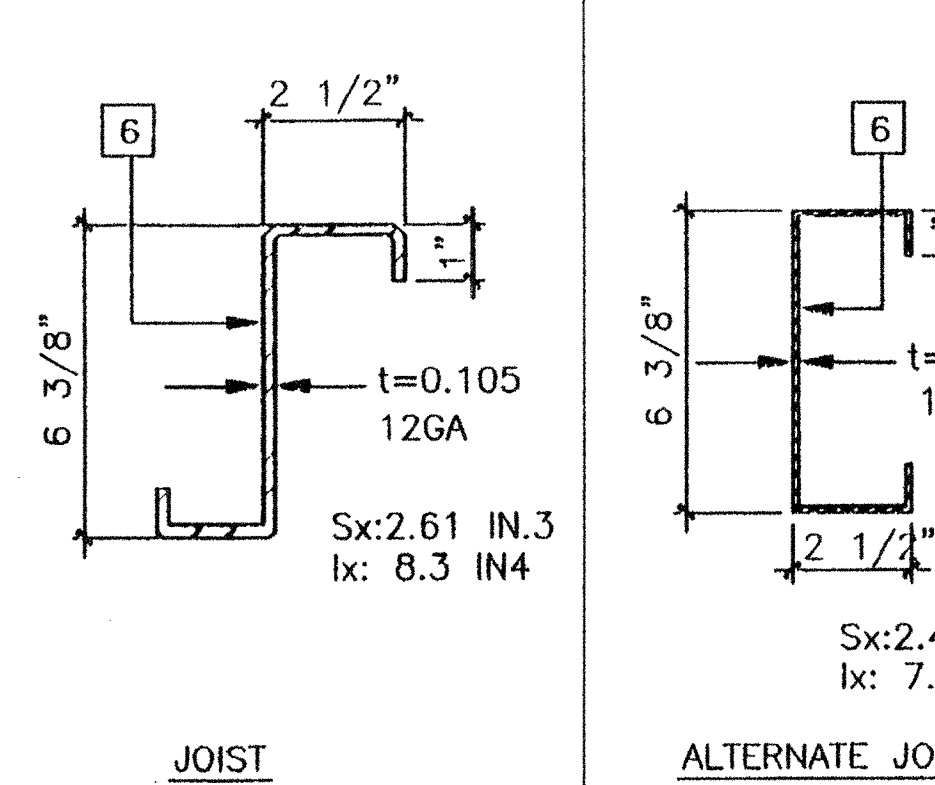
PURLIN AT EXT. SIDE WALLS 11



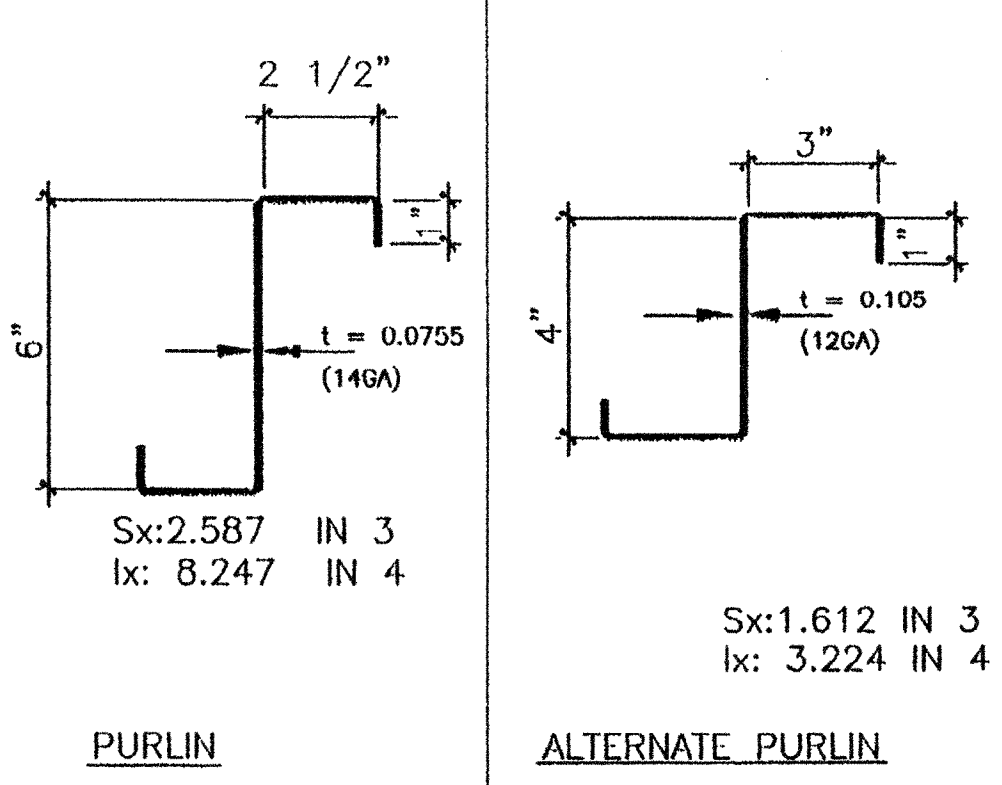
CORNER COLUMN 12



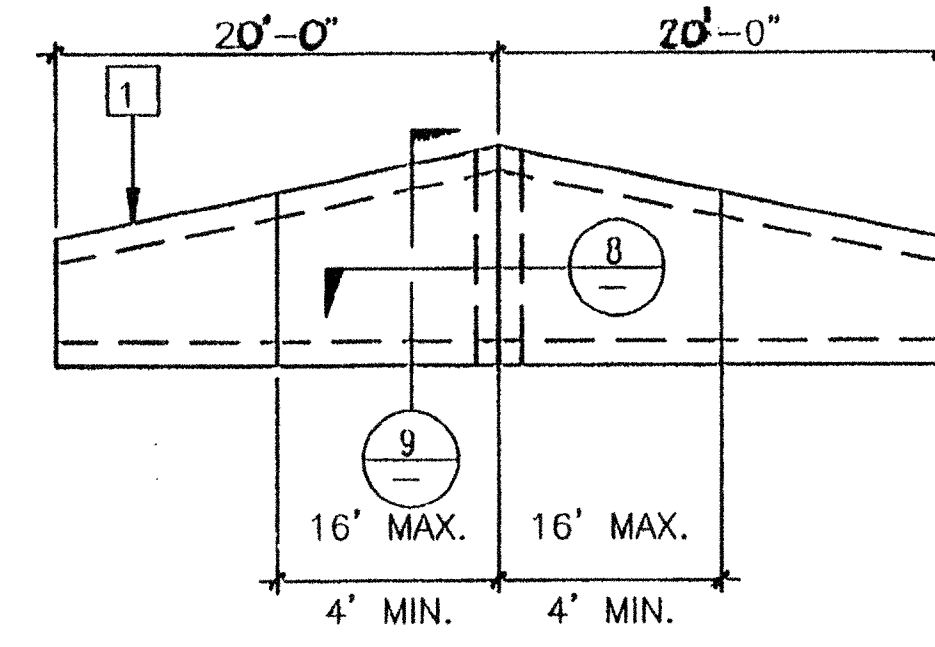
FLR LOIST AT FLOOR BEAM 10



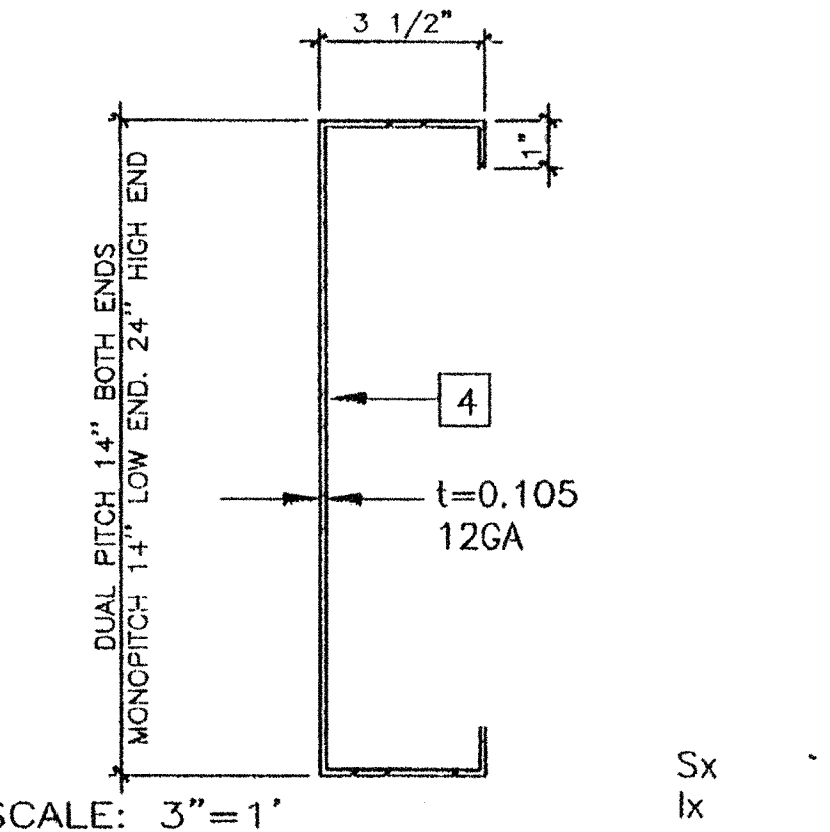
FLOOR JOIST 6



ROOF PURLIN 3" = 1'-0" 2



BM. SPLICE • RIDGE (DUAL SLOPE) 7



ROOF HEADER 3

REVISED  
JUL 1 1999  
04 10 194  
AC FLS SS  
DATE MAY 20 1999  
IDENTIFICATION STAMP  
DIV. OF THE STATE ARCHITECT  
OFFICE OF REGULATION SERVICES  
04 10 1527  
AC FLS SS  
DATE 6/1/99

REVISIONS

1		
2		
3		
4		
5		
6		
7		
8		
9		
10		
11		
12		
13		

Electrical Engineer's Seal  
Mechanical Engineer's Seal  
Structural Engineer's Seal  
Architects Seal

S. V. MISIRY  
No. 59413  
Exp. 01/01/00  
STATE OF CALIFORNIA  
02.08.99

IDENTIFICATION STAMP  
DIV. OF THE STATE ARCHITECT  
OFFICE OF REGULATION SERVICES  
PC-270  
AC FLS SS  
DATE FEB 19 1999  
REVISED

MODTECH INC.  
2830 BARRETT AVENUE  
PERRIS, CALIF. 92572  
PH (909) 943-4014  
FAX (909) 940-0427

PROJECT NUMBER: © MODTECH, INC. 1999

DRAWN BY: R.V.F.  
CHECKED BY: SS  
DATE: 4-2-99  
MODTECH PROJECT NO:  
MODTECH Index No.

STRUCTURAL DETAILS  
**S2.1**