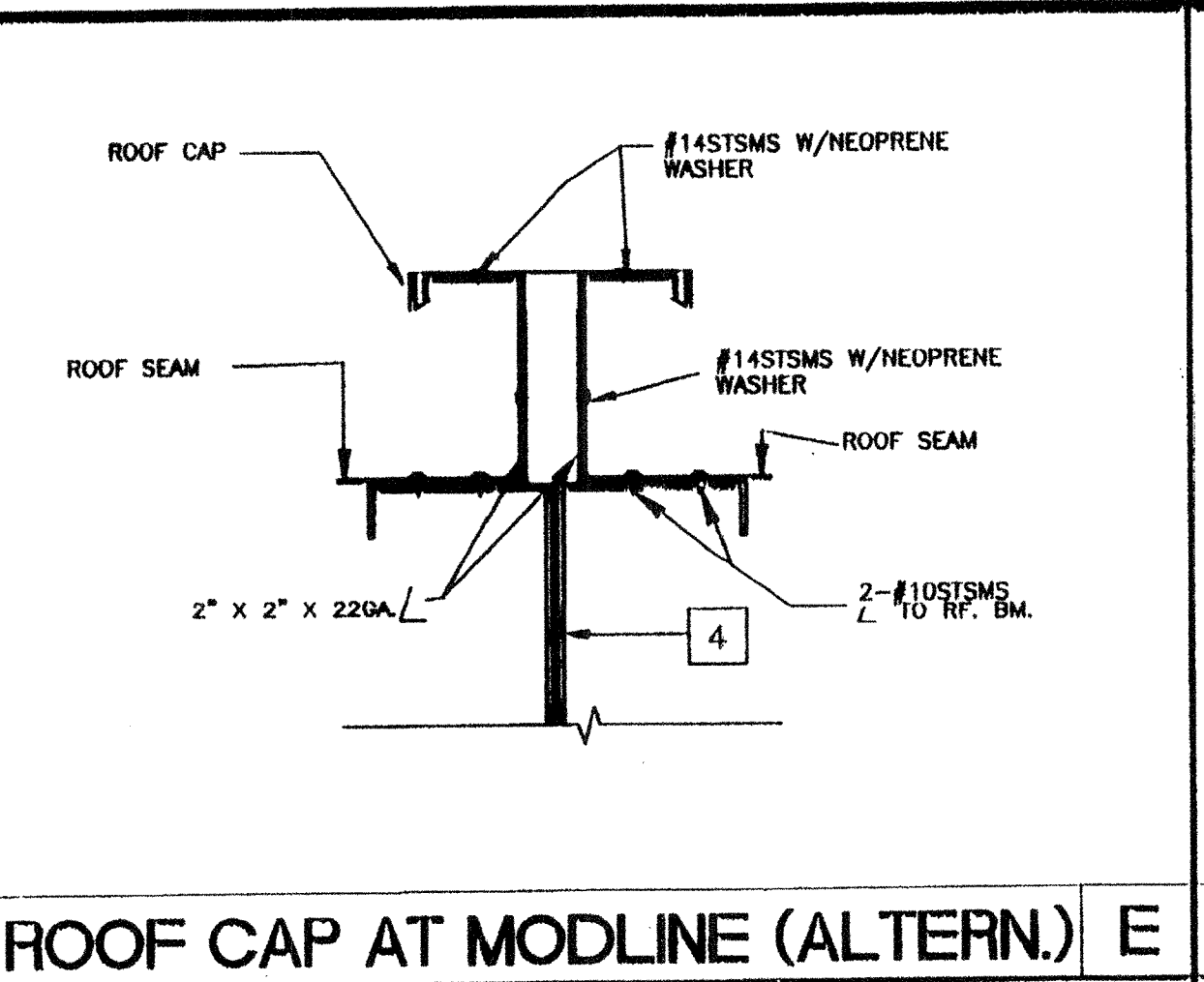


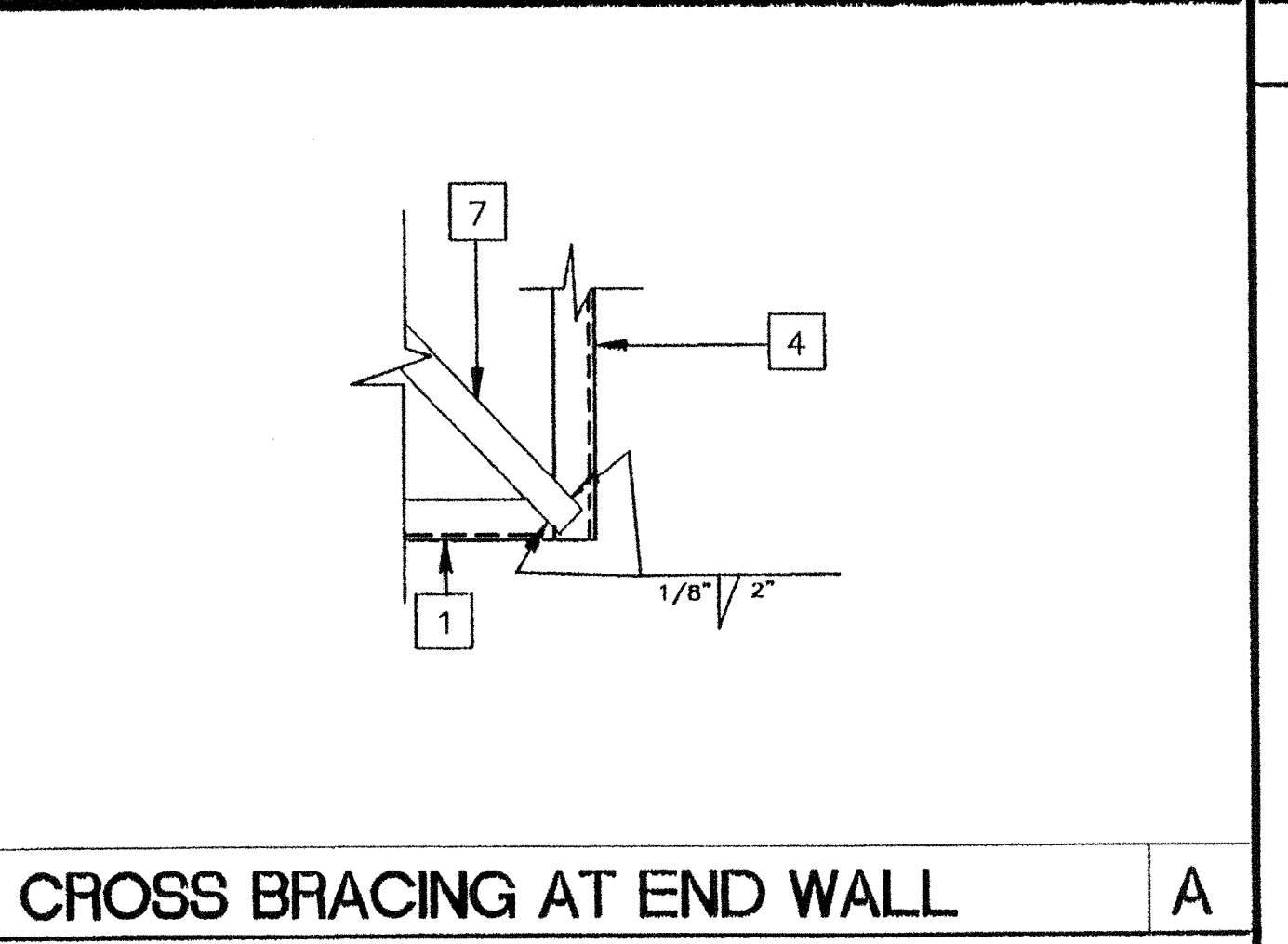
LT HAND FRAME FRONT RT HAND FRAME

ROOF FRAMING PLAN - DUAL PITCH

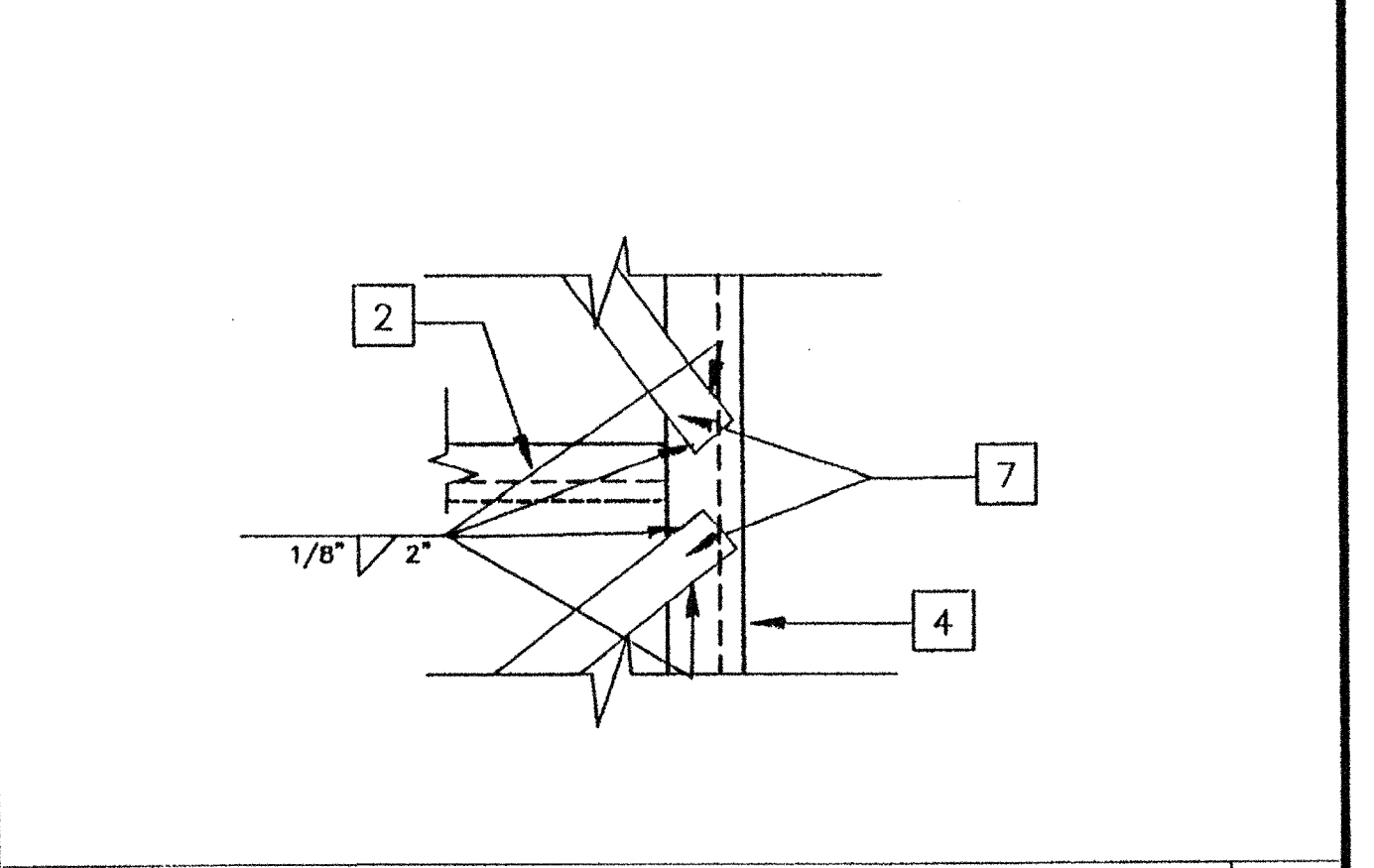
SCALE 1/4"=1'-0"



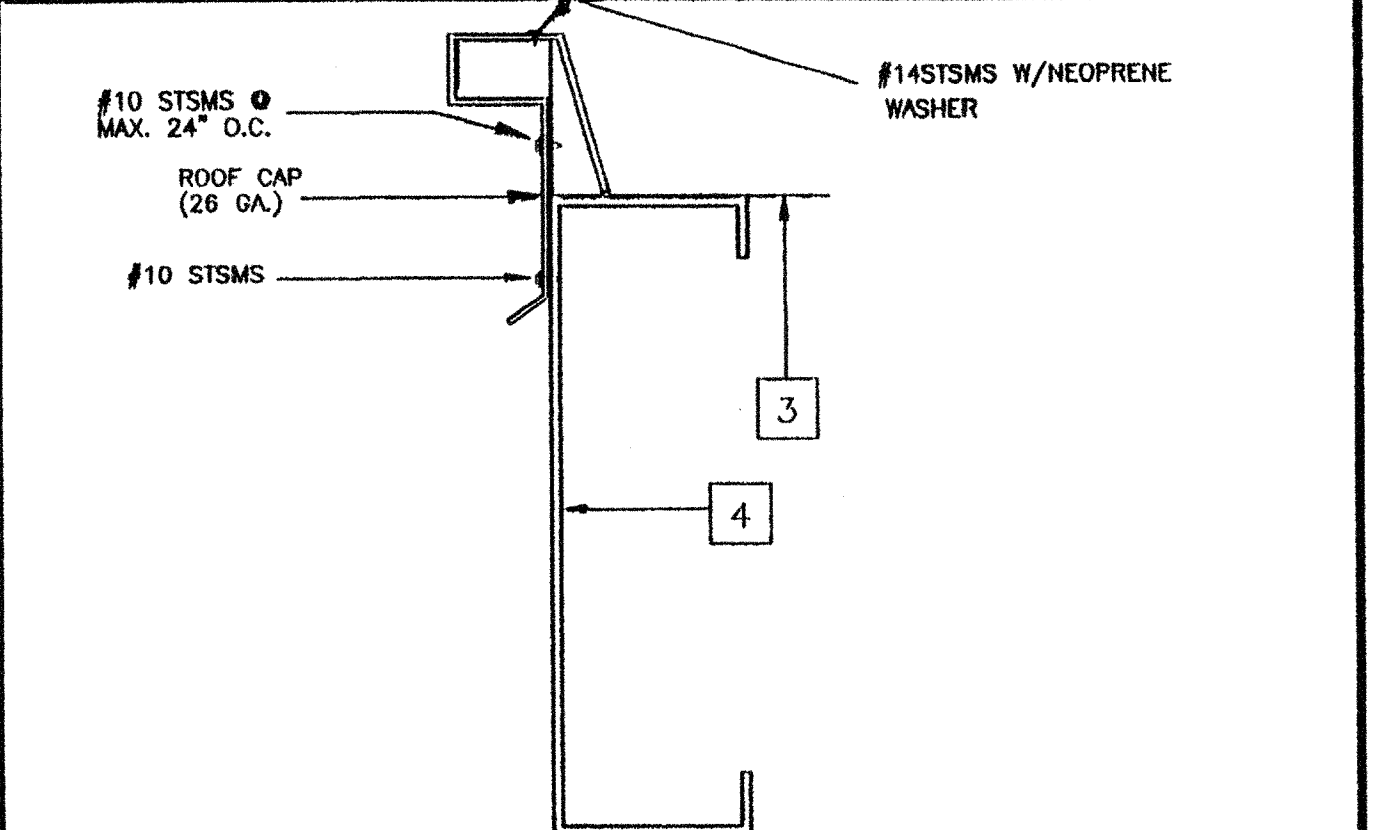
ROOF CAP AT MODLINE (ALTERN.) E



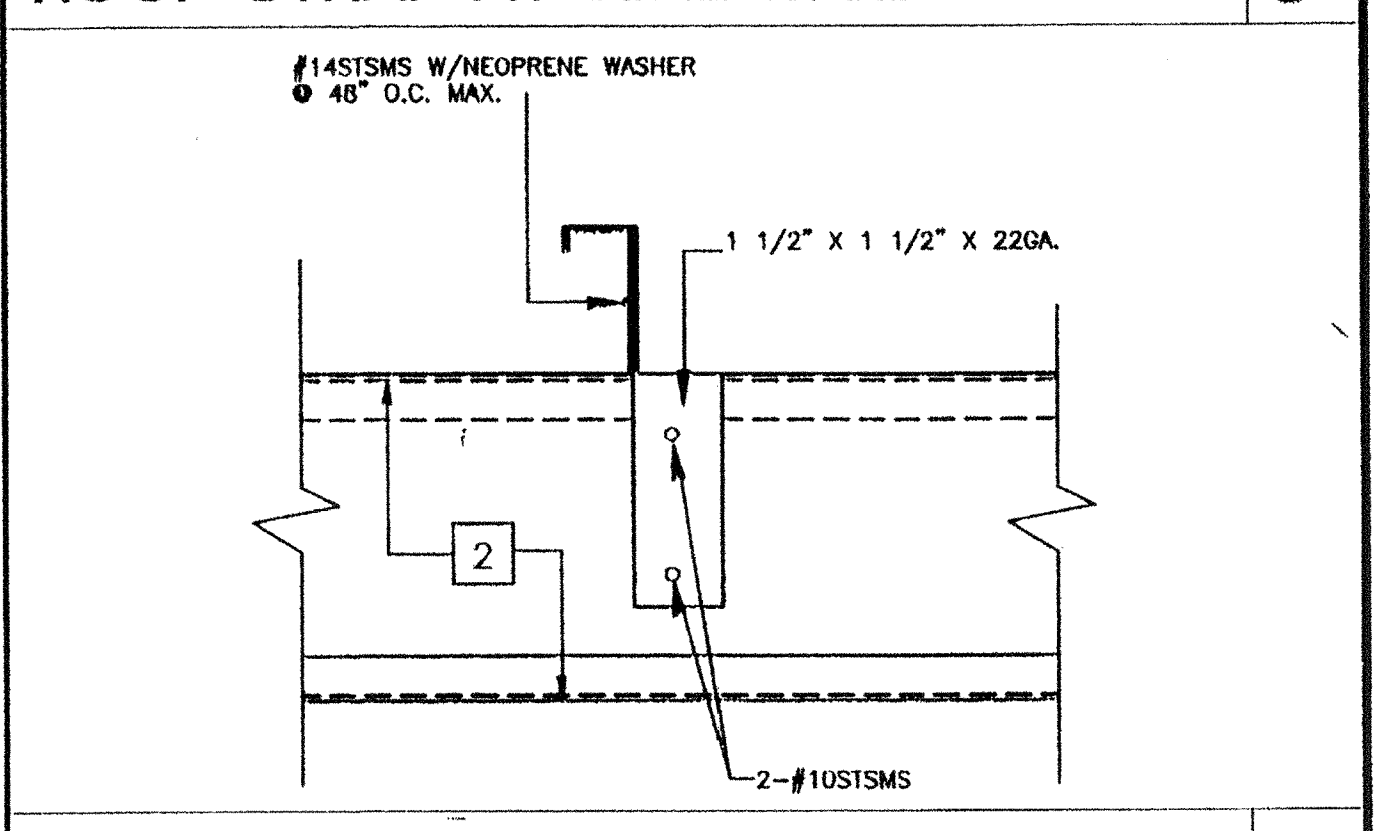
CROSS BRACING AT END WALL A



CROSS BRACING AT SIDE WALL B



ROOF STRAP AT SIDE WALL C



ROOF STRAP D

- KEY NOTES**
- 1 C 14 X 12GA. □ HEADER
 - 2 6"X2 1/2X14GA. L ROOF PURLIN SEE PLAN FOR SPACING
 - 3 22GA. STANDING SEAM ROOFING ATTACH ROOFING TO ROOF CLIP W/#14X3/8" STMS WITH NEOPRENE WASHERS. SPACING: 4'-0" O.C.
 - 4 TAPERED ROOF BEAM 10GA. □ SEE 7/S2.1
 - 5 RIDGE-LINE
 - 6 11/16" DRILL SEE DETAIL 1/S1.2
 - 7 2" X 20GA. STRAP CROSS BRACING TACK WELD TO EA. PURLIN
 - 8 #14 X 3/4" STMS AT ROOF HEADER W/NEO. WASHER - 3 PER PAN MAX. 6" O.C.

REVISED
 JUL 1 1999
 DIV. OF THE STATE ARCHITECT
 OFFICE OF REGULATION SERVICES
 04 10119
 AC FLS SS
 DATE MAY 20 1999
 IDENTIFICATION NUMBER
 04 101527
 AC FLS SS
 DATE SEP 02 1999

REVISIONS

1	
2	
3	
4	
5	

Electrical Engineer's Seal

Mechanical Engineer's Seal

Structural Engineer's Seal
 S. V. MISTRY
 No. 53413
 FEB 19 1999
 STATE OF CALIFORNIA

Architect's Seal

IDENTIFICATION STAMP
 DIV. OF THE STATE ARCHITECT
 OFFICE OF REGULATION SERVICES
 PC-270
 AC FLS SS
 DATE FEB 19 1999
 REVISED

MODTECH INC.
 2830 BARRETT AVENUE
 PERRIS, CALIF. 92572
 PH (909) 943-4014
 FAX (909) 940-0427

PROJECT NUMBER: © MODTECH, INC. 1999

ROOF FRAMING PLAN

DRAWN BY: RVT
 CHECKED BY: JTB
 DATE: 2-2-99
 MODTECH PROJECT NO:
 MODTECH Index No.
S2.0

FILE PATH: PC270S20.DWG

PROJECT NO. PC-270