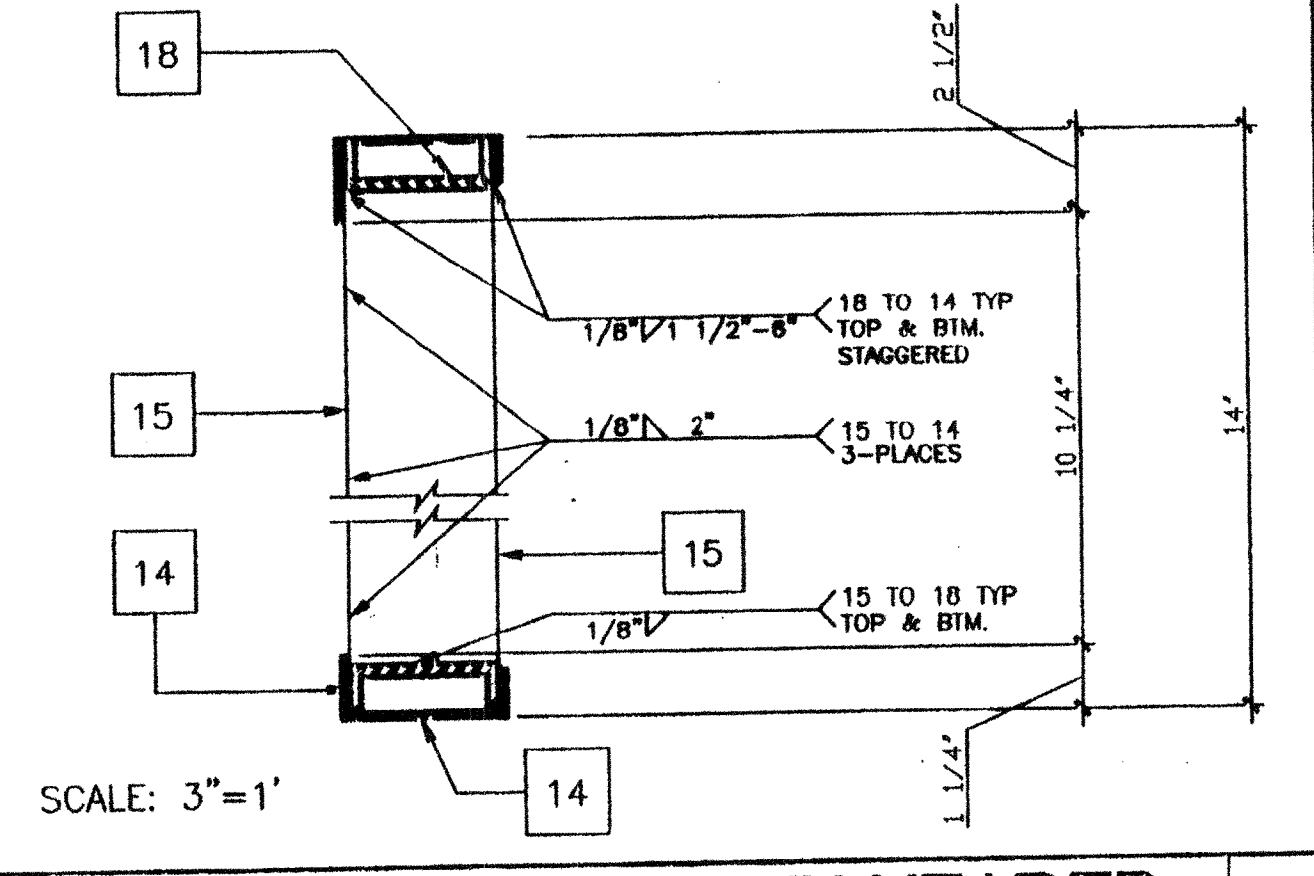


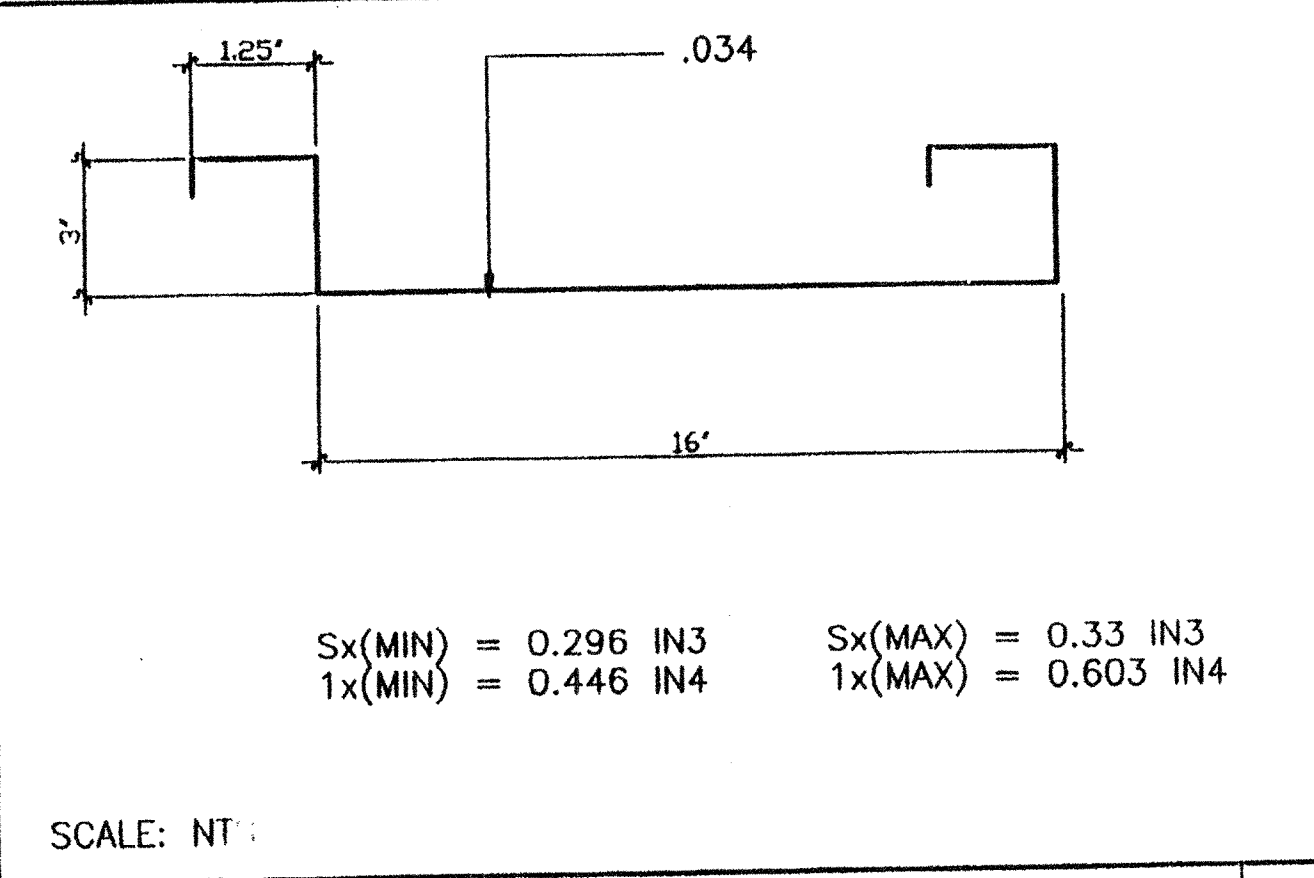
SCALE: 3"=1'

MECH. DUCT OPENING IN ROOF BM. 8



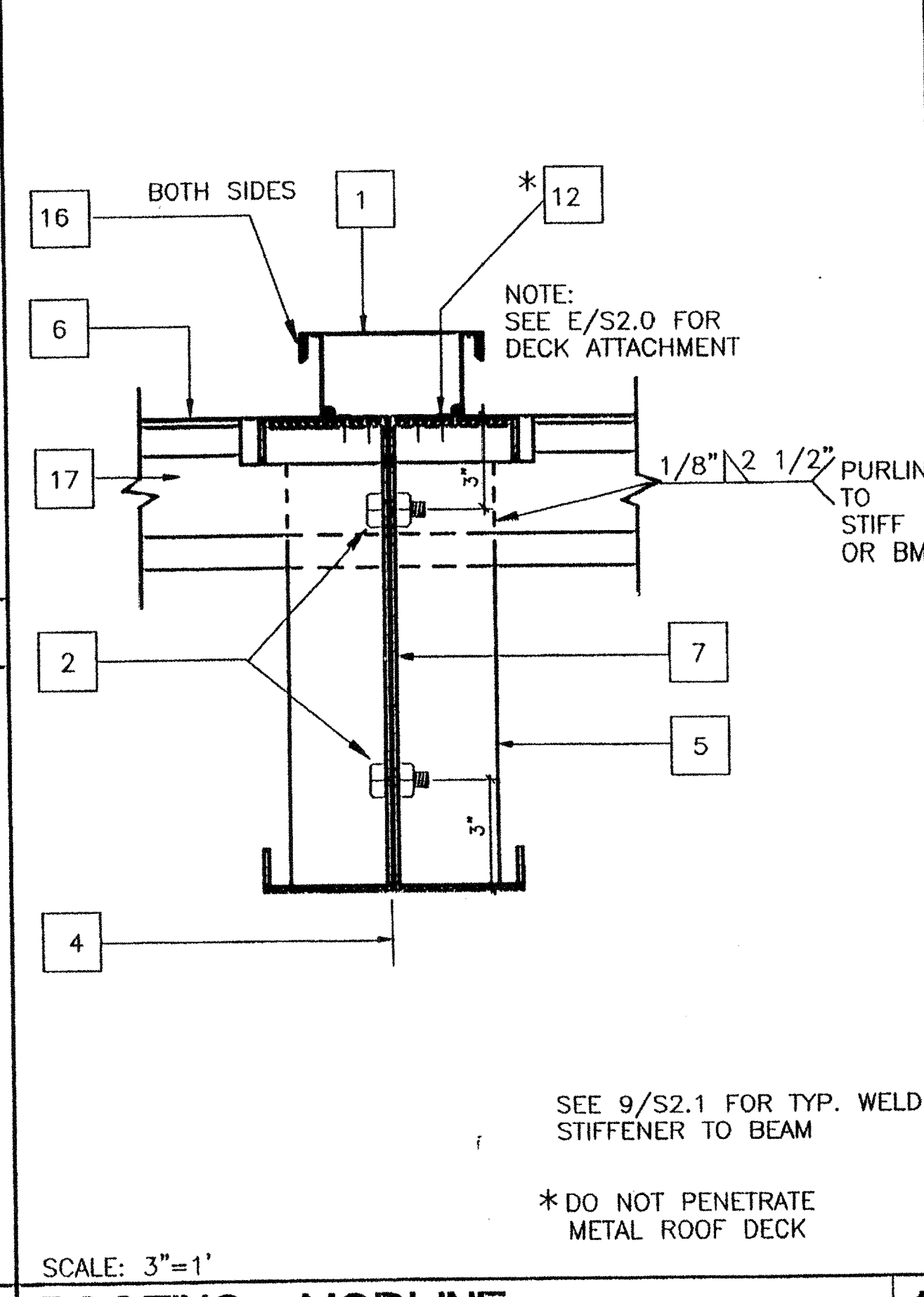
SCALE: 3"=1'

MECH. DUCT OPENING IN HEADER 4



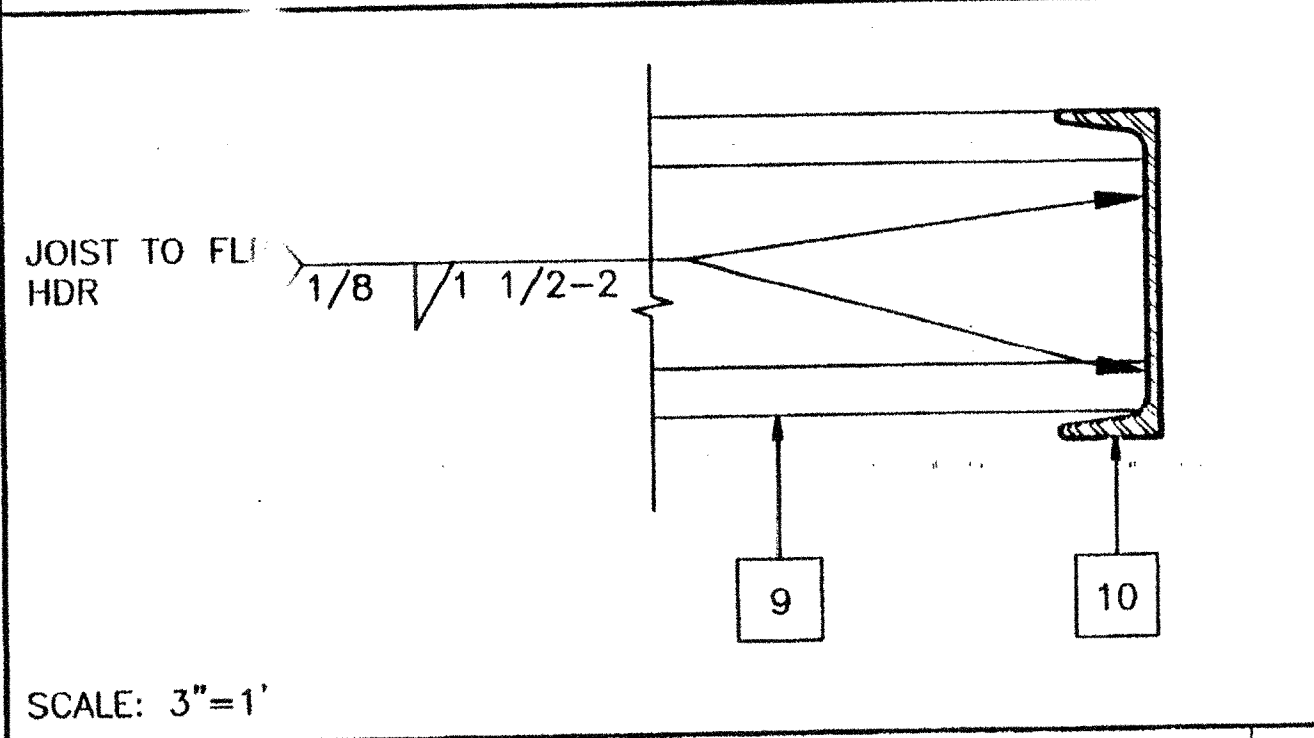
SCALE: NT

ROOF PAN (22GA.) 5



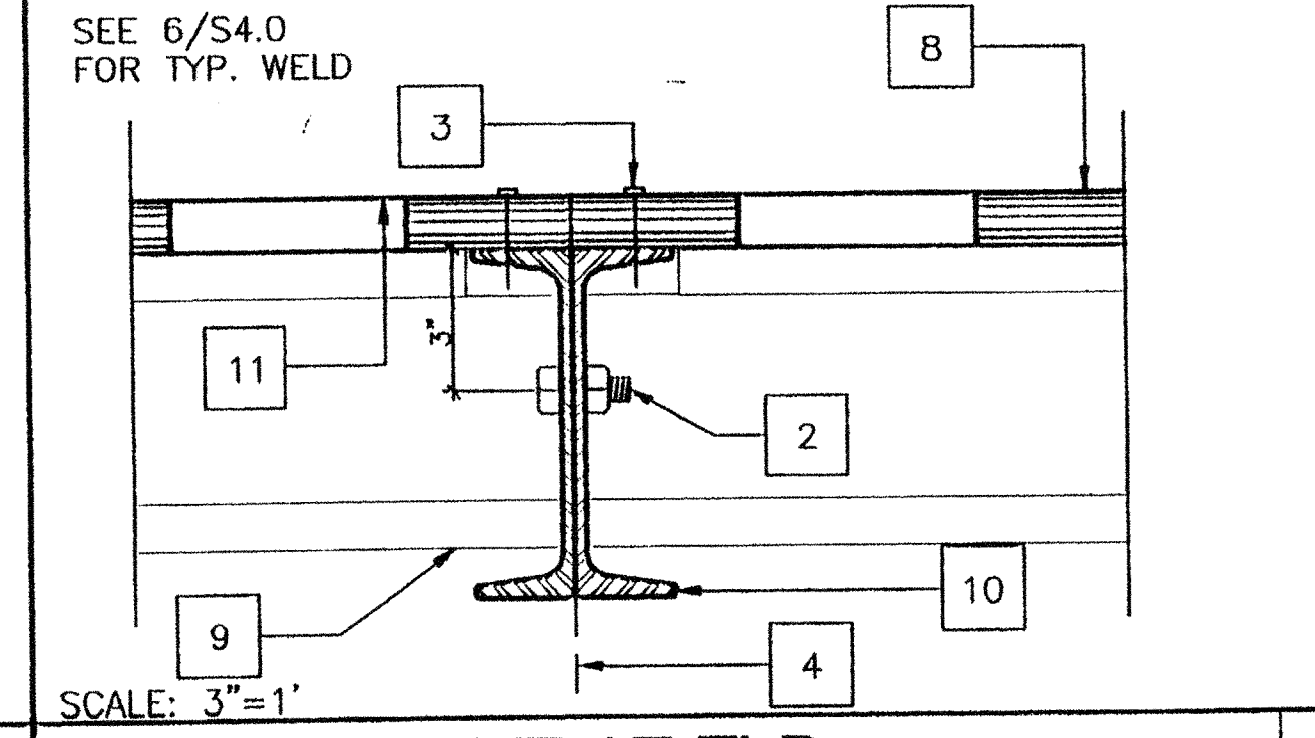
SCALE: 3"=1'

ROOFING MODLINE 1



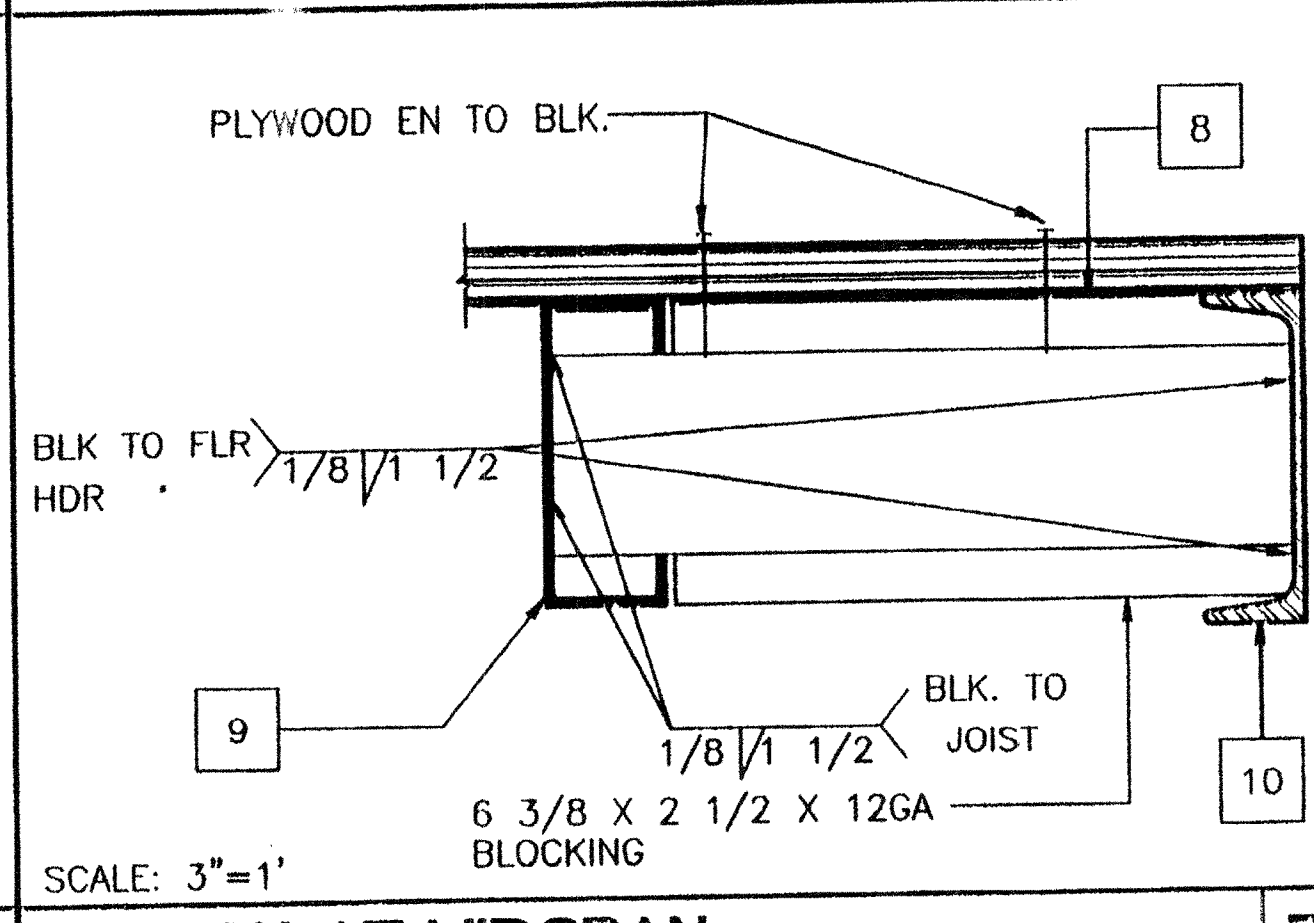
SCALE: 3"=1'

FLOOR FRAME/JOIST TO BEAM 6



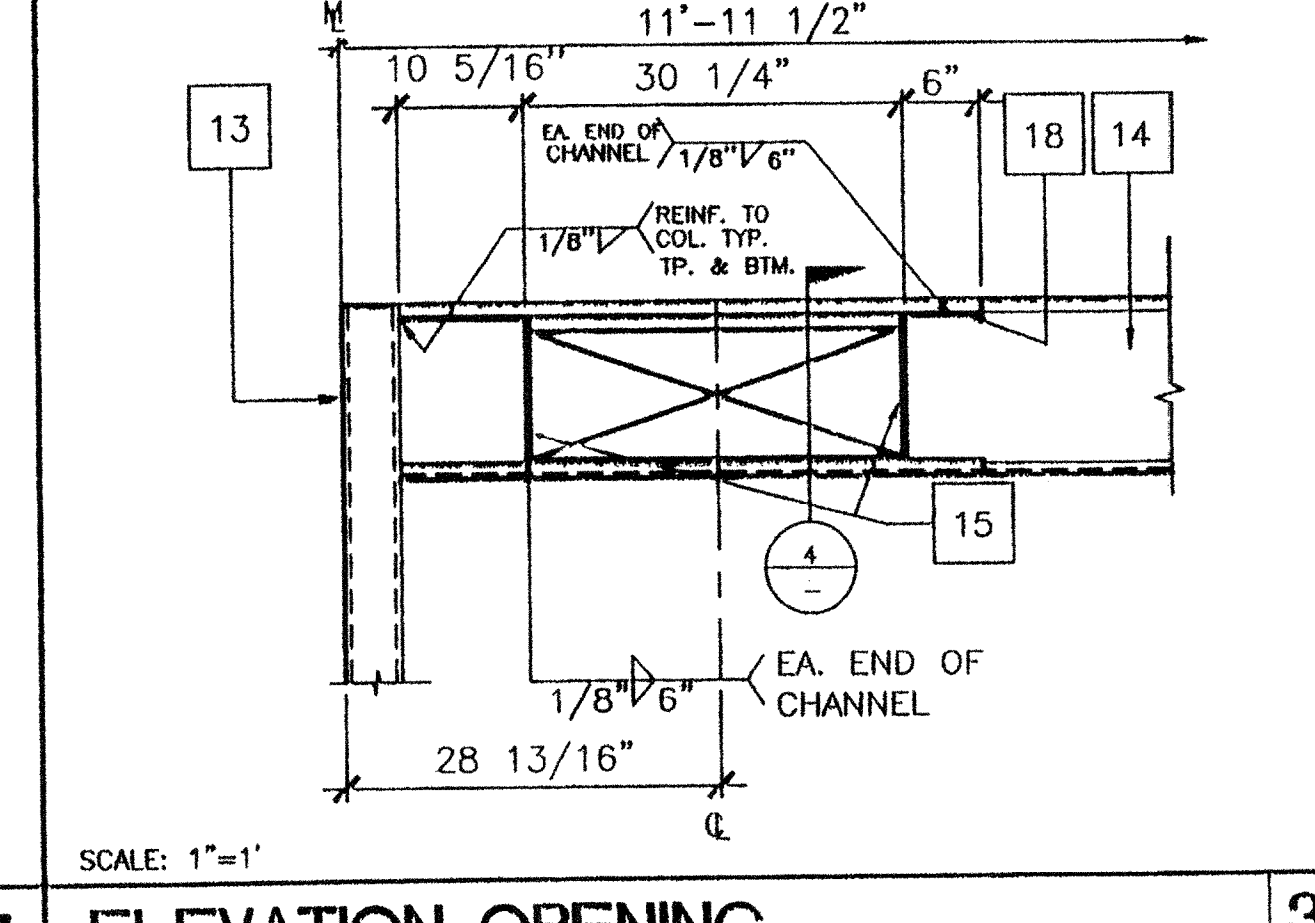
SCALE: 3"=1'

MODULE JOINT AT FLR. 12'-0" 2



SCALE: 3"=1'

BLOCK AT MIDSPAN 10



SCALE: 1"=1'

ELEVATION-OPENING 3

KEY NOTES

- 1 CAP CLOSURE AT RIDGE 26GA. GALV. W/#10 TYPE FASTENERS W/NEOPRENE WASHERS TO RIB BOTH SIDES OF MODLINE. SET CAP IN SEALANT. BOTH SIDES.
- 2 5/8" M.B. A307 MODULE JOINT (SEE STRUCTURAL PLAN FOR LOCATION) AT 8" O.C.
- 3 E.N.
- 4 MODULE JOINT
- 5 14" THK X 3" FULL DEPTH STIFFENER PLATE AT RIDGE ONLY (SEE 9/S2.1)
- 6 STANDING ROOF SEAM (SEE A2.0)
- 7 ROOF BEAM SEE 1/S2.1 & 7/S2.1
- 8 PLYWOOD FLOOR SHEATHING
- 9 FLOOR JOIST SEE 6/S2.1
- 10 FLOOR BEAM SEE 5/S2.1
- 11 HAND HOLE AT BOLT LOCATION
- 12 #14 STSMS.
- 13 3 1/2"X3 1/2"X1/4" STEEL TUBE COLUMN. SEE 12/S2.1
- 14 ROOF HEADER SEE 3/S2.1
- 15 1/4" STIFFENER PLATE SEE 9/S2.1 FOR TYP. WELD
- 16 SEALANT
- 17 ROOF PURLIN SEE 2/S2.1
- 18 3 1/4" X 1" X 45 11/16" LG X 10GA CHANNEL TOP AND BOTTOM OF OPENING

JUL 1 1999  
 REVISED  
 04 10 1994  
 AC FLS SS  
 MAY 20 1999  
 101527  
 AC FLS SS JP  
 SEP 02 1999

REVISIONS

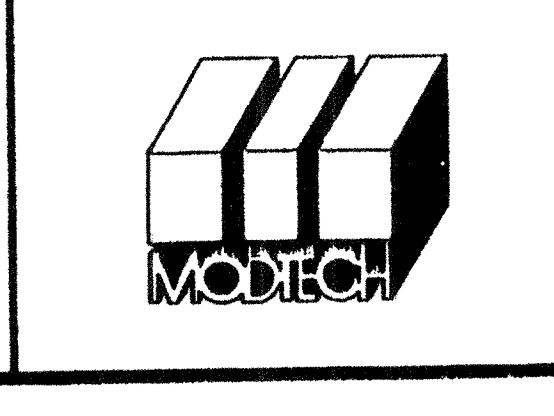

Electrical Engineer's Seal

Mechanical Engineer's Seal

Structural Engineer's Seal  
 S. V. MISURY  
 No. 5313  
 Exp. 06/2000  
 STATE OF CALIFORNIA  
 02-08-99

Architect's Seal

IDENTIFICATION STAMP  
 DIV. OF THE STATE ARCHITECT  
 OFFICE OF REGULATION SERVICES  
 PC-270  
 AC FLS SS  
 DATE FEB 10 1999  
 REVISED



MODTECH INC.  
 2830 BARRETT AVENUE  
 PERRIS, CALIF. 92572  
 PH (909) 943-4014  
 FAX (909) 940-0427

PROJECT NUMBER: © MODTECH, INC. 1999

DRAWN BY: RVF  
 CHECKED BY: [Signature]  
 DATE: 2-2-99  
 PROJECT NO:  
 MODTECH Index No.

S1.2

FILE PATH: PC270S12.DWG PROJECT NO. PC-270