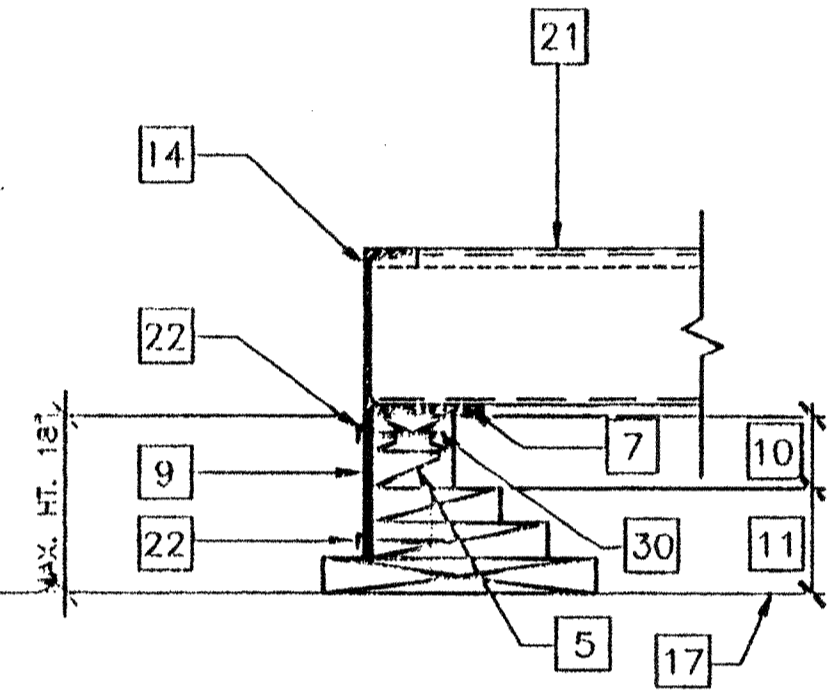
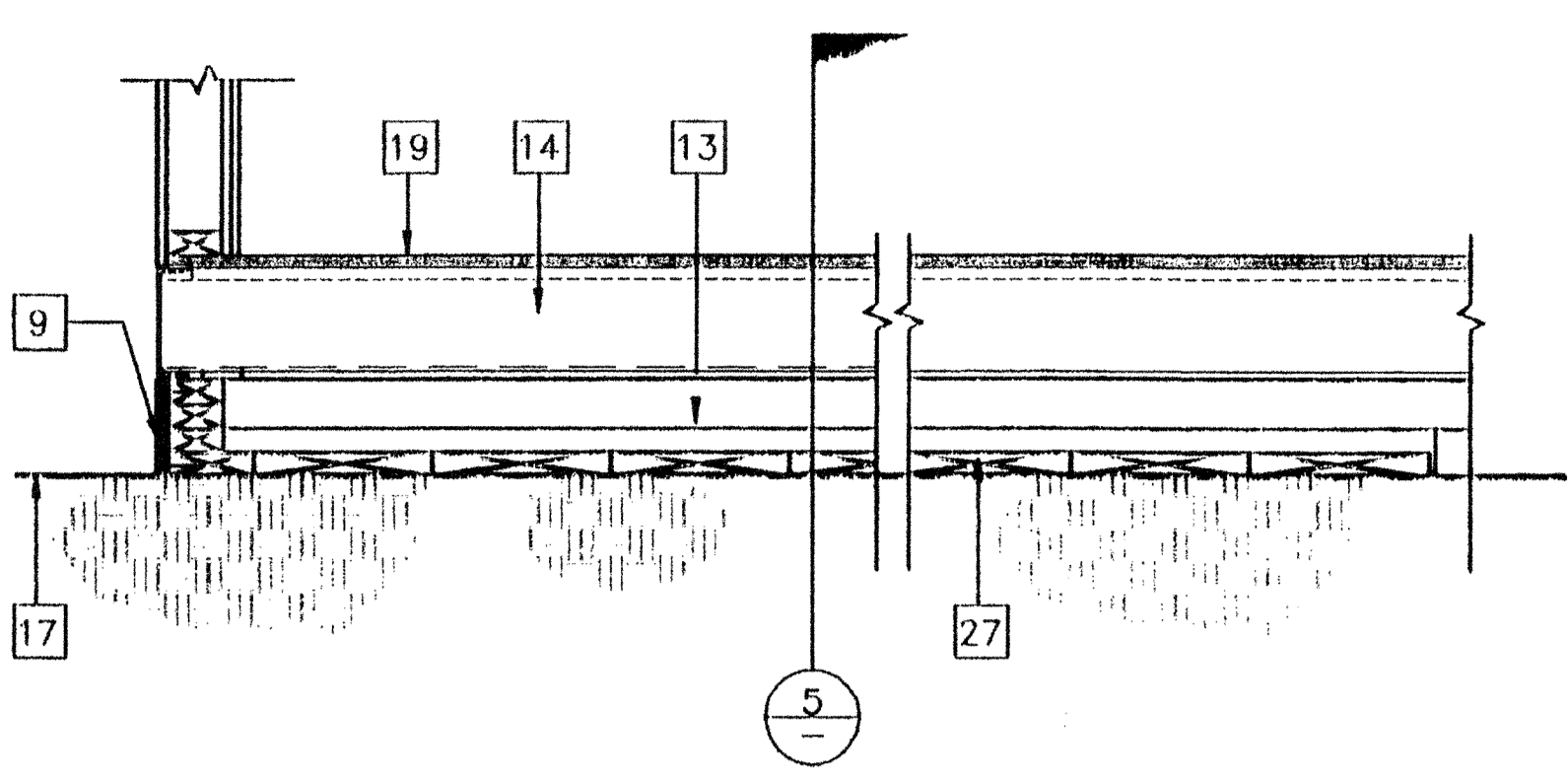


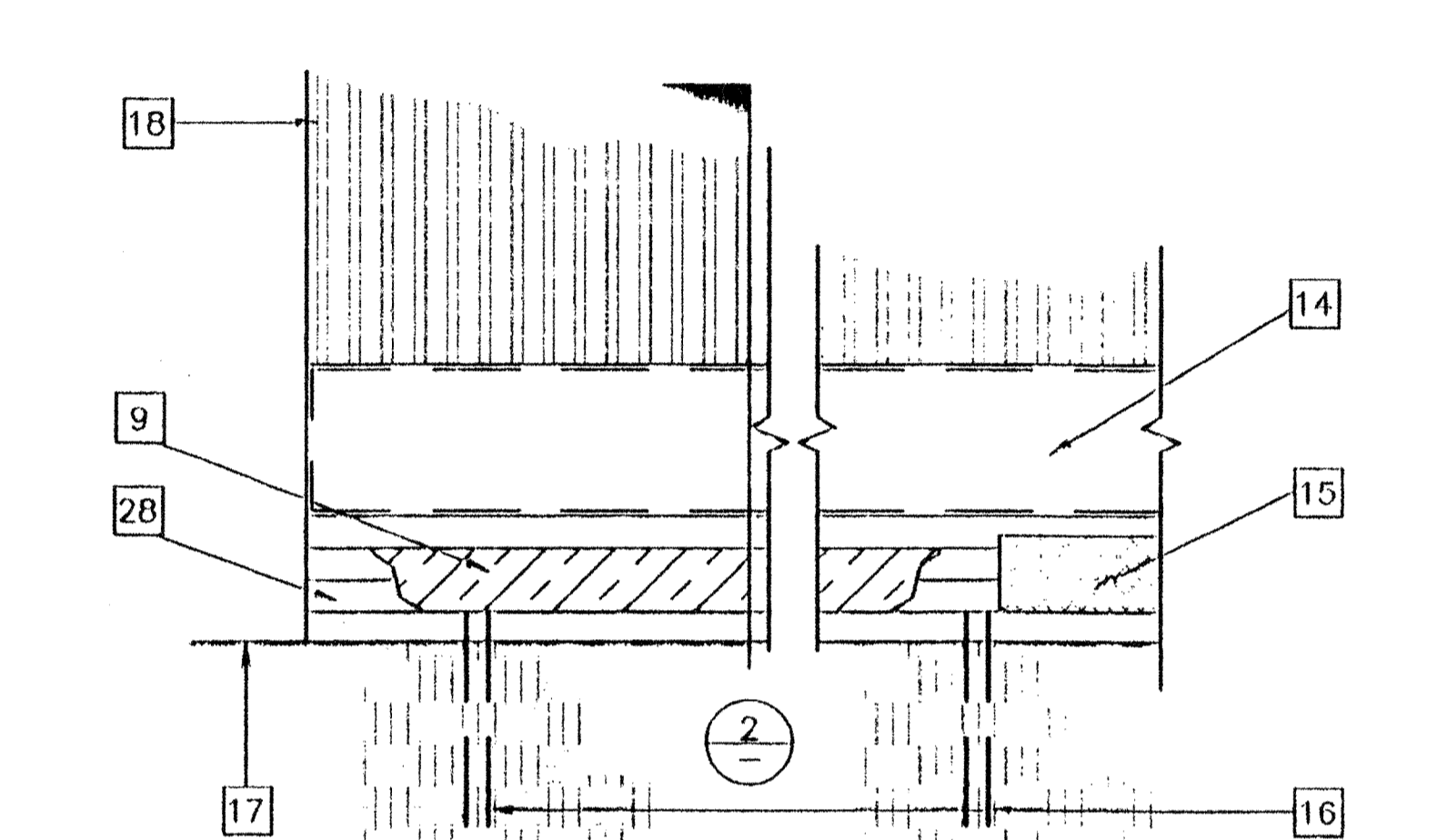
9 SCALE: 1 1/2"=1'-0"
ALTERNATE HOLD DOWN



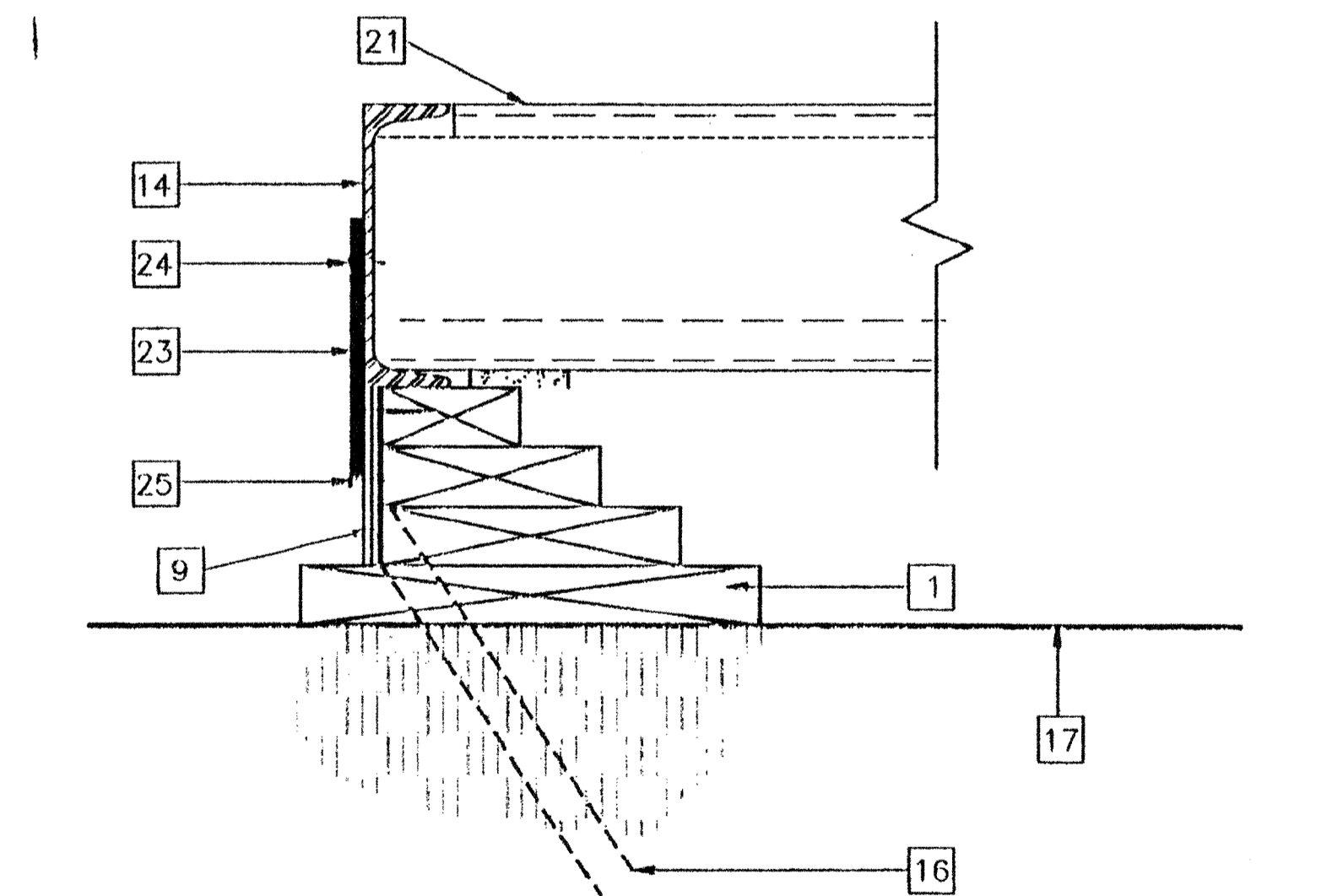
10 SCALE: 1 1/2"=1'-0"
ADD BLK'S/SHIMS TO LEVEL FOUND.



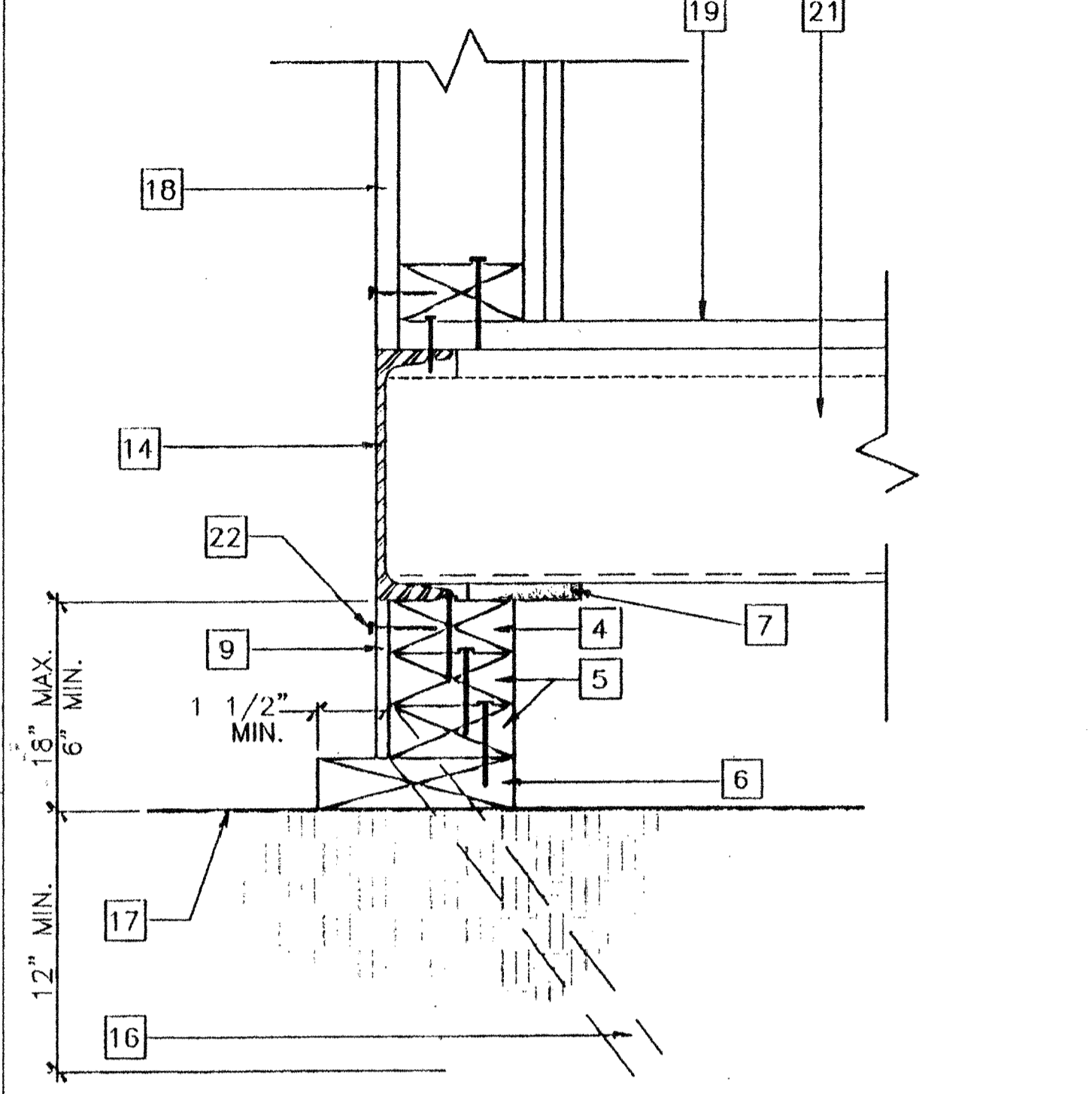
6 SCALE: 1 1/2"=1'-0"
MODLINE PAD @ END WALL



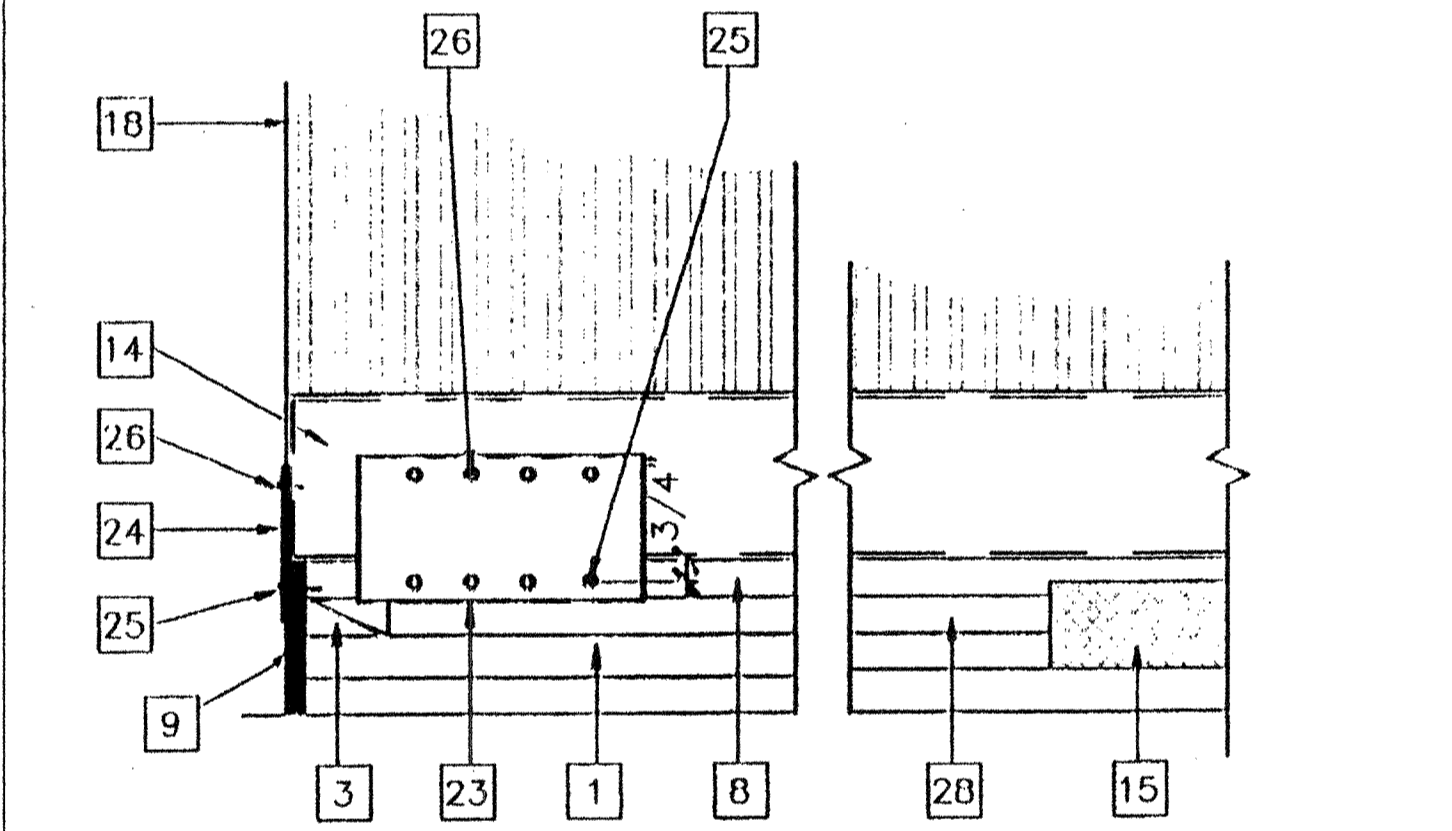
7 SCALE: 1 1/2"=1'-0"
FOUNDATION ELEVATION @ SIDE WALL



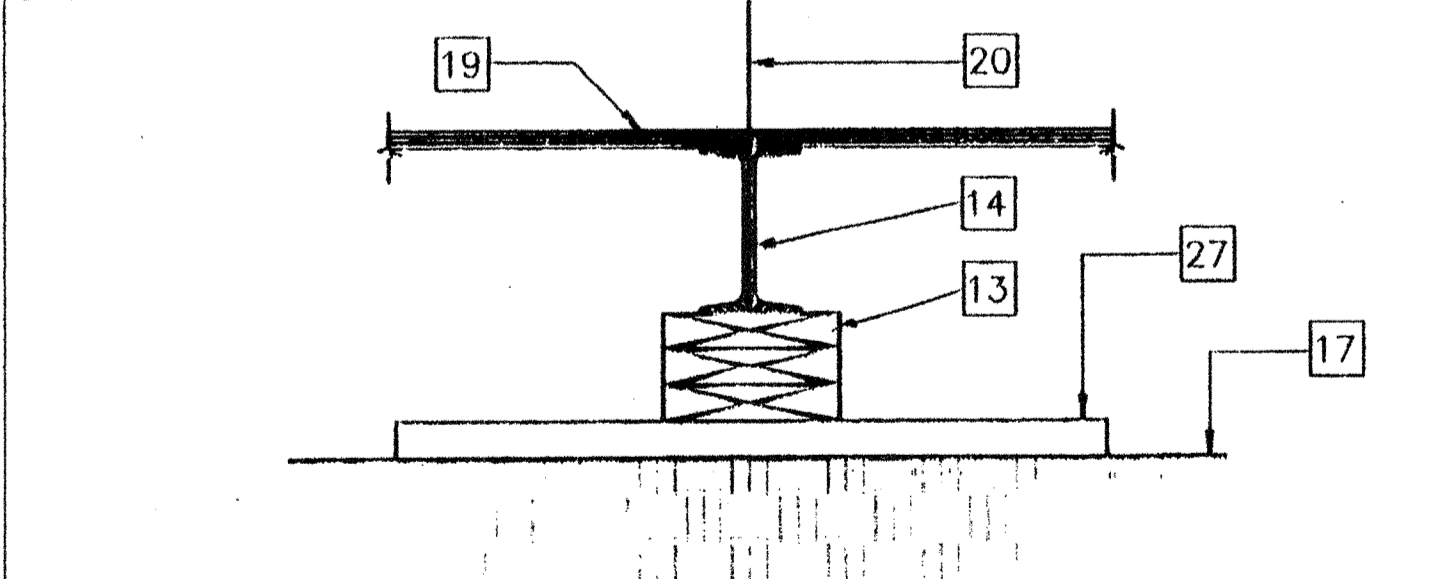
8 SCALE: 3"=1'-0"
TYPICAL TIE PLATE



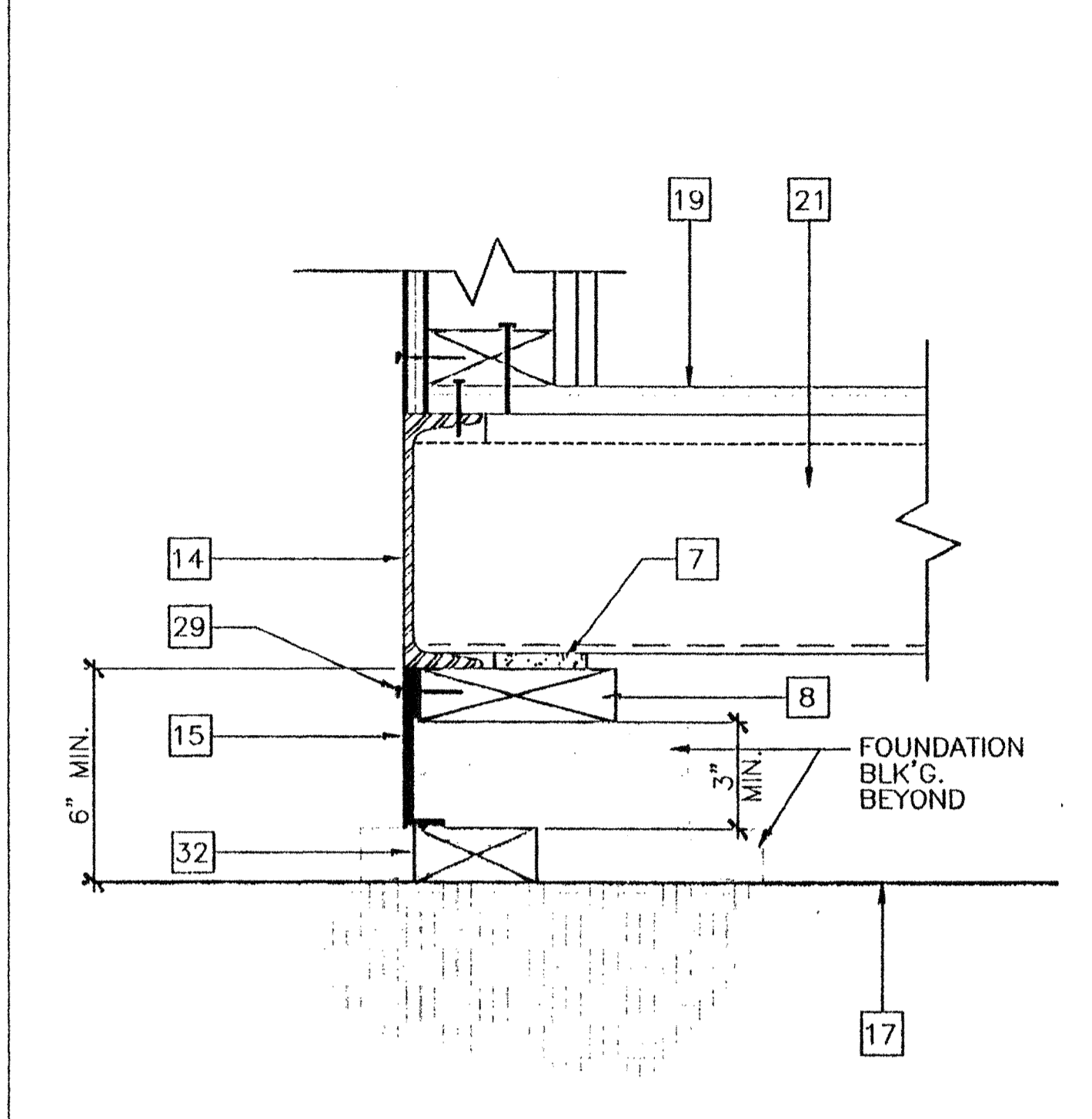
3 SCALE: 3"=1'-0"
FOUNDATION @ END WALL



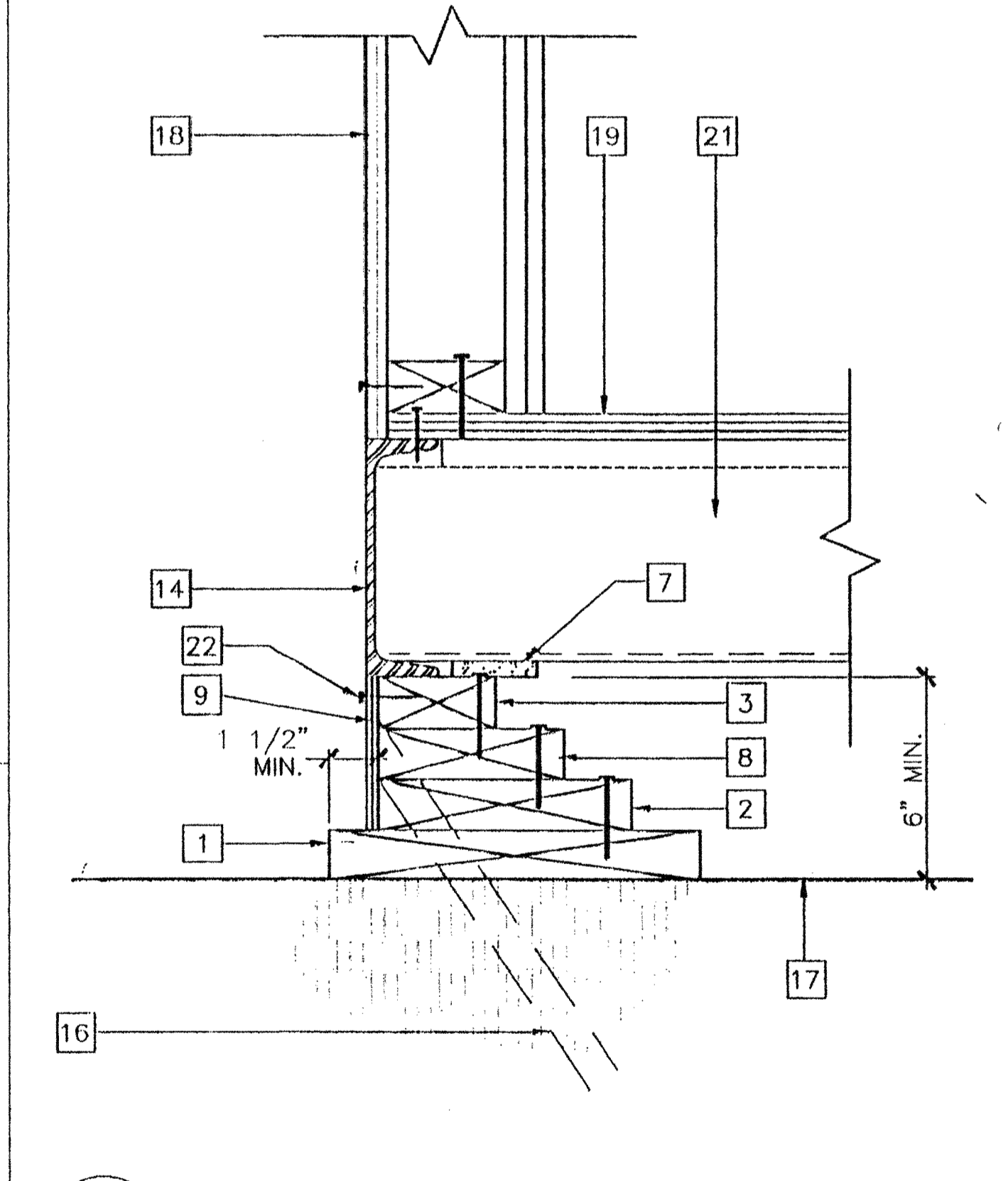
4 SCALE: 1 1/2"=1'-0"
DETAIL @ FOUNDATION CORNER



5 SCALE: 1 1/2"=1'-0"
FOUNDATION PAD @ MODLINE



1 SCALE: 3"=1'-0"
FOUNDATION VENT



2 SCALE: 3"=1'-0"
FOUNDATION @ SIDE WALL

KEY NOTES

- 1 2X12 SILL PLATE SEE FOUND. PLAN FOR LENGTH
- 2 2X8 TOP PLATE W/16d AT MAX. 5" O.C. TO SILL PLATE
- 3 2X4 CONT. TOP PLATE W/16d AT MAX. 12" O.C.
- 4 2X4 TOP PLATE CONT. W/16d AT MAX. 12" O.C.
- 5 2X4 BLOCKING W/16d MAX. 12" O.C. TO SILL PLATE
- 6 2X6 CONT. SILL PLATE
- 7 5/8" X 2 1/2" SHIM (WHEN REQ.)
- 8 2X6 BLOCKING W/16d AT MAX. 12" O.C.
- 9 MIN. 5/8" PLYWOOD SKIRTING W/10d BOX NAIL MIN. 4" O.C. AT ENDWALLS & 6" O.C. AT SIDEWALLS E.N. & TYP. 12" O.C. FN.
- 10 ADD BLOCKING OR SHIMS AS REQ. TO MAX. HT. SEE DETAIL #2
- 11 MIN. FOUNDATION HEIGHT. SEE DETAIL #2
- 12 10 GA. PLATE 4" X 12"
- 13 2X8 BLOCKING FACE OR TOE NAIL 16d AT MAX. 12" O.C. ADD BLKS. OR SHIMS AS REQ'D
- 14 FLOOR FRAME BEAM. SEE STRUCTURAL
- 15 VENT MIN. 3" X 6'-6" TYP. 4-PLACES = 6.5 SF. 2 VENTS AT 3" X 2'-0" = 1.0 SF. = 7.5 SQ. FT. TOTAL
- 16 SILL RESTRAINT 1" DIA. PIPE. SEE FOUND. PLAN FOR LOCATION - 24" LONG
- 17 FINISH GRADE
- 18 EXTERIOR FINISH
- 19 PLYWOOD SUBFLOOR
- 20 MOD-LINE
- 21 FLOOR-JOIST
- 22 EN SEE NOTE #9
- 23 6" X 12" X 10GA. PLATE W/(4) #10 SMS TO FLR & (4) 1/4" DIA. X 3" LAG TO FOUND. TOP PLATE
- 24 6" X 12" X 10 GA. PLATE
- 25 1/4" DIA. X 3" LG. LAG SCREW TYP. 4-PLACES
- 26 #10 S.T.S. TYP. 4-PLACES
- 27 2" X 12" X 2'-6" SILL PLATE. SEE FOUND. PLAN FOR QUANTITY REQ'D
- 28 2X8 BLOCKING W/16d AT MAX. 6" O.C. MIN. 3 PER BLOCK. (MAY VARY ACCORDING TO SITE)
- 29 10d GALV. BOX NAIL AT MAX. 4" O.C.
- 30 INSERT REQ'D 2X4 BLOCKING OR PLYWOOD SHIM W/16d AT 12" O.C. FACE NAIL
- 31 NOT USED
- 32 2X4 P.T. BLOCK TO CLOSE OFF SPACE AND SUPPORT BOTTOM OF VENT

IDENTIFICATION STAMP
DIV. OF THE STATE ARCHITECT
OFFICE OF REGULATION SERVICES
04 10 1994
AC FLS SS
DATE MAY 20 1994
REVISED
JUL 1 1999
IDENTIFICATION STAMP
DIV. OF THE STATE ARCHITECT
OFFICE OF REGULATION SERVICES
117036
AC FLS SS
DATE 04 10 1994
AC FLS SS
DATE 02 02 1999

REVISIONS	Electrical Engineer's Seal	Mechanical Engineer's Seal	Structural Engineer's Seal	Architect's Seal
1				
2				
3				
4				
5				
6				

Structural Engineer's Seal
S. Y. MISHRA
No. 53419
Exp. 12/31/99
04/08/99

IDENTIFICATION STAMP
DIV. OF THE STATE ARCHITECT
OFFICE OF REGULATION SERVICES
PC-270
AC FLS SS
DATE FEB 9 1999
REVISED

MODTECH INC.
2830 BARRETT AVENUE
PERRIS, CALIF. 92572
PH (909) 943-4014
FAX (909) 940-0427

PROJECT NUMBER: © MODTECH, INC. 1999

FOUNDATION DETAILS

DRAWN BY: CM
DATE: 2/2/99
CHECKED BY: [Signature]
DATE: [Signature]
MODTECH PROJECT NO:
MODTECH Index No:
F2.0

FILE PATH: PC270F20.DWG PROJECT NO. PC-270