

KEY NOTES

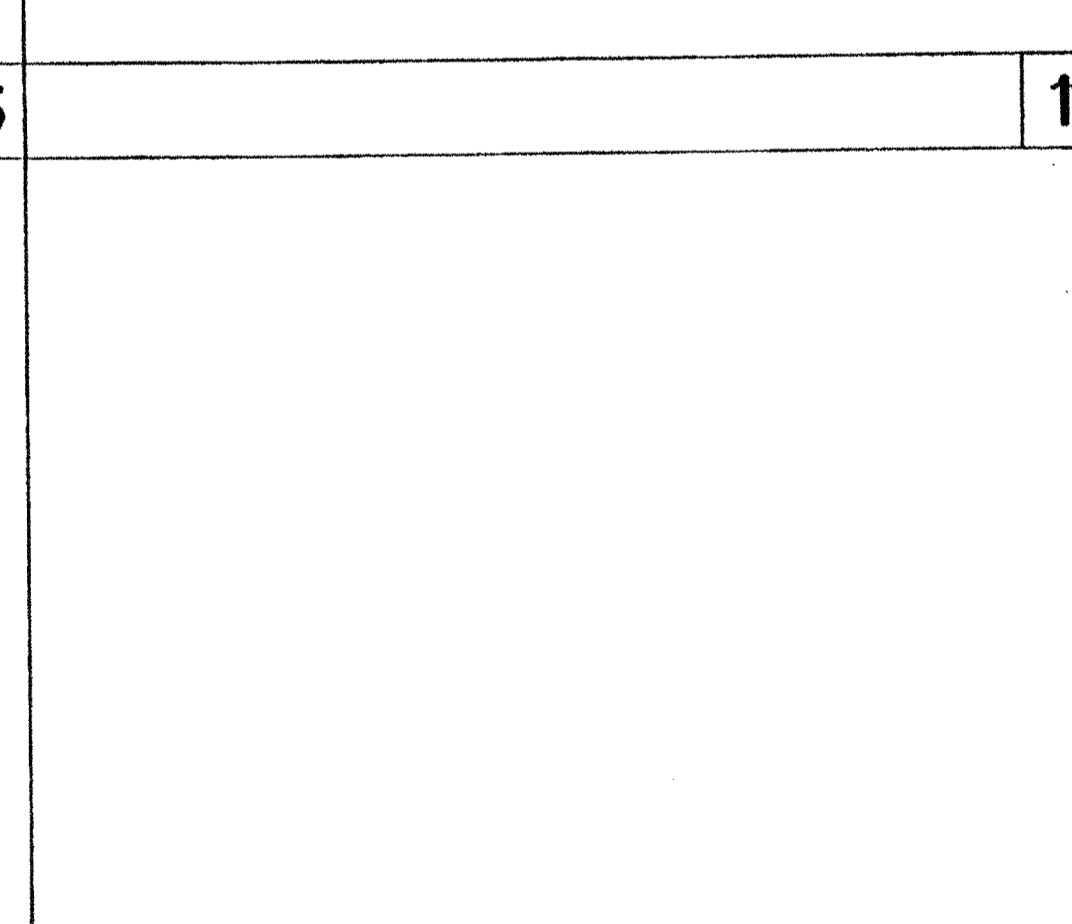
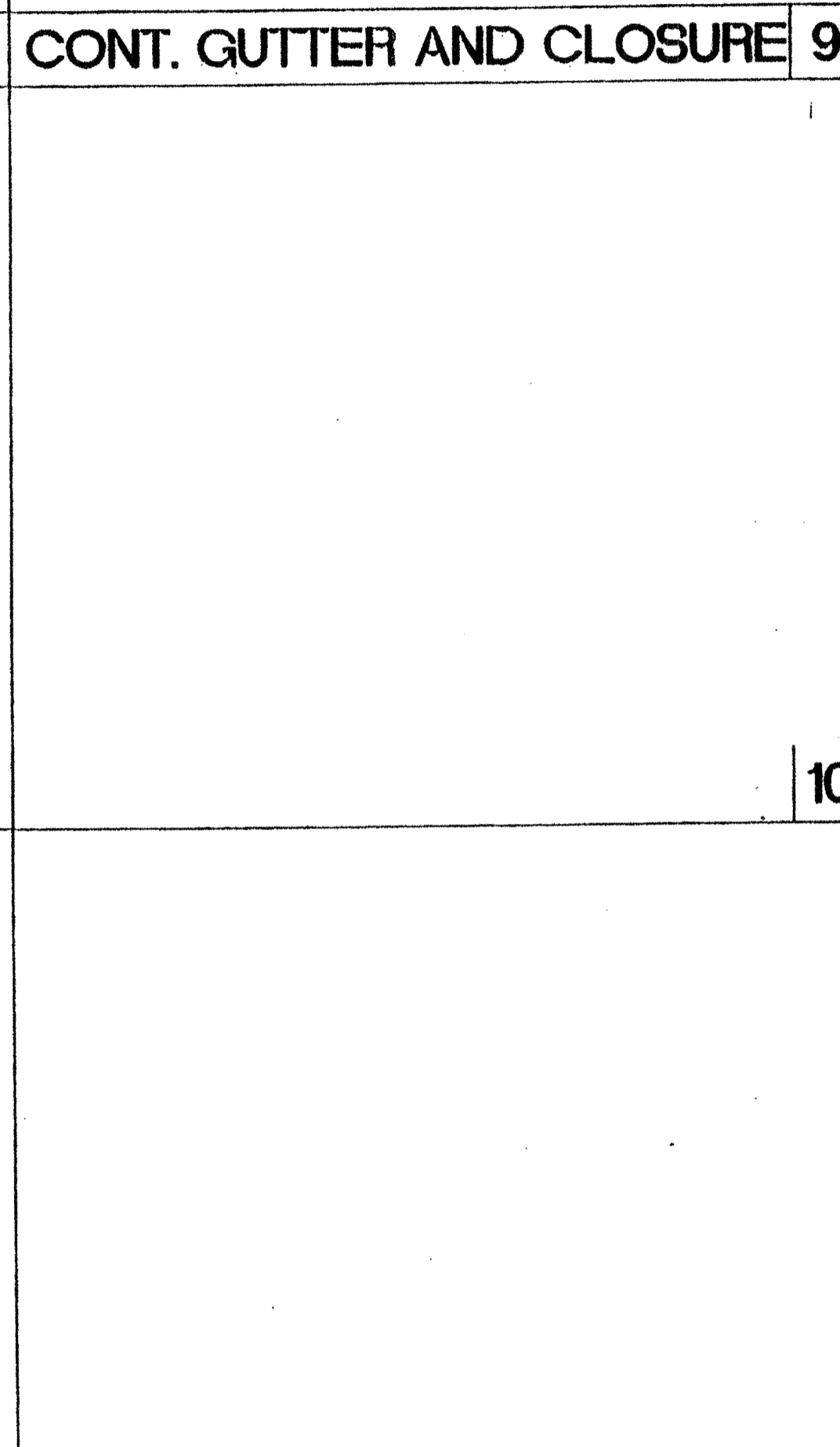
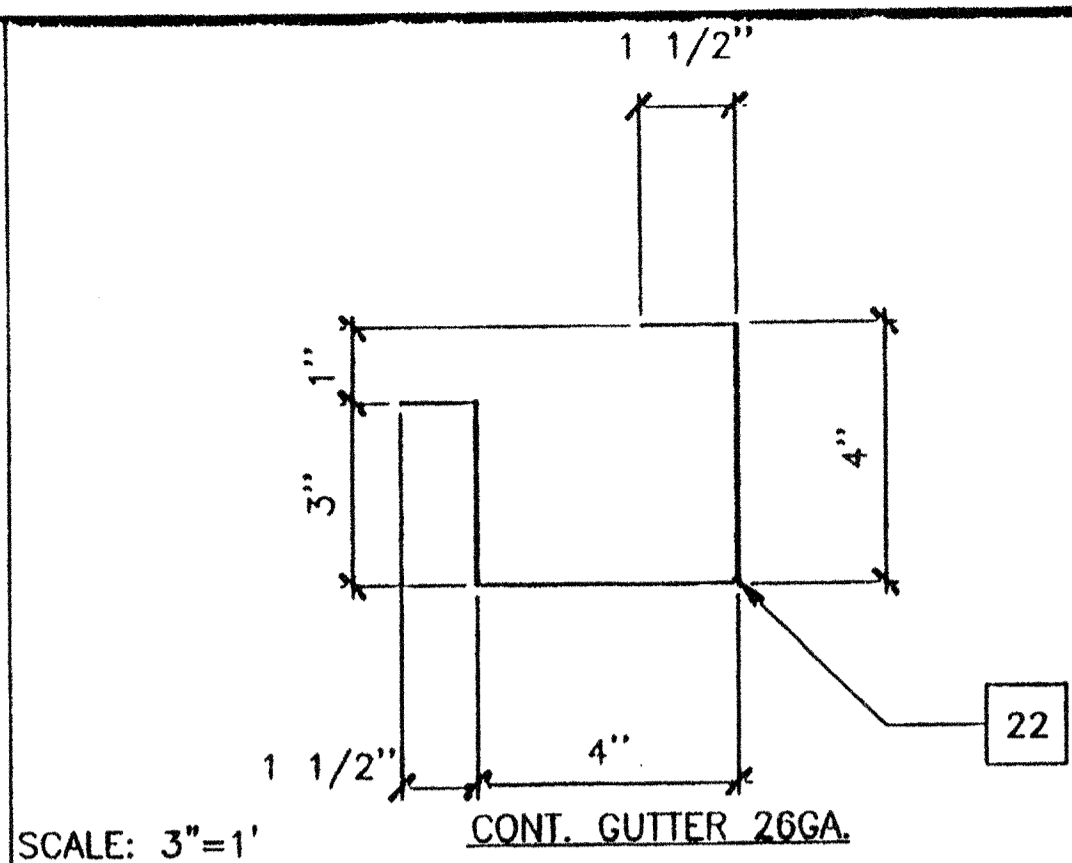
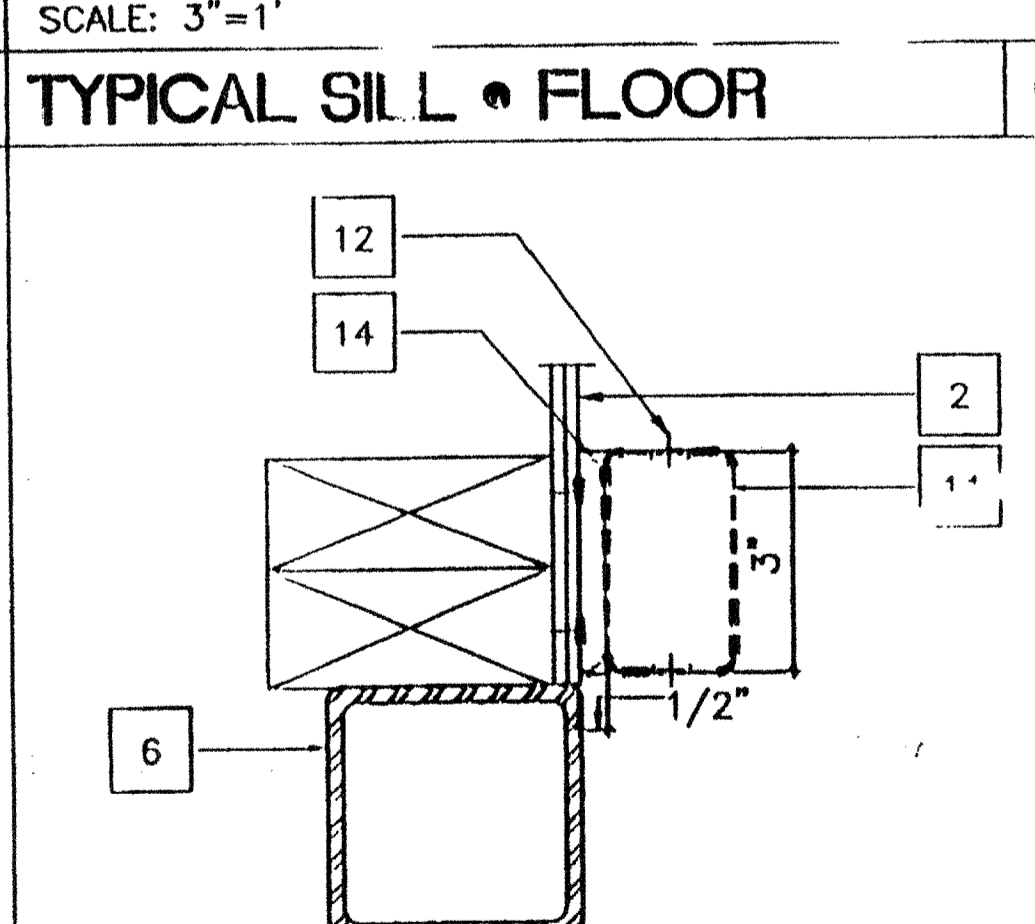
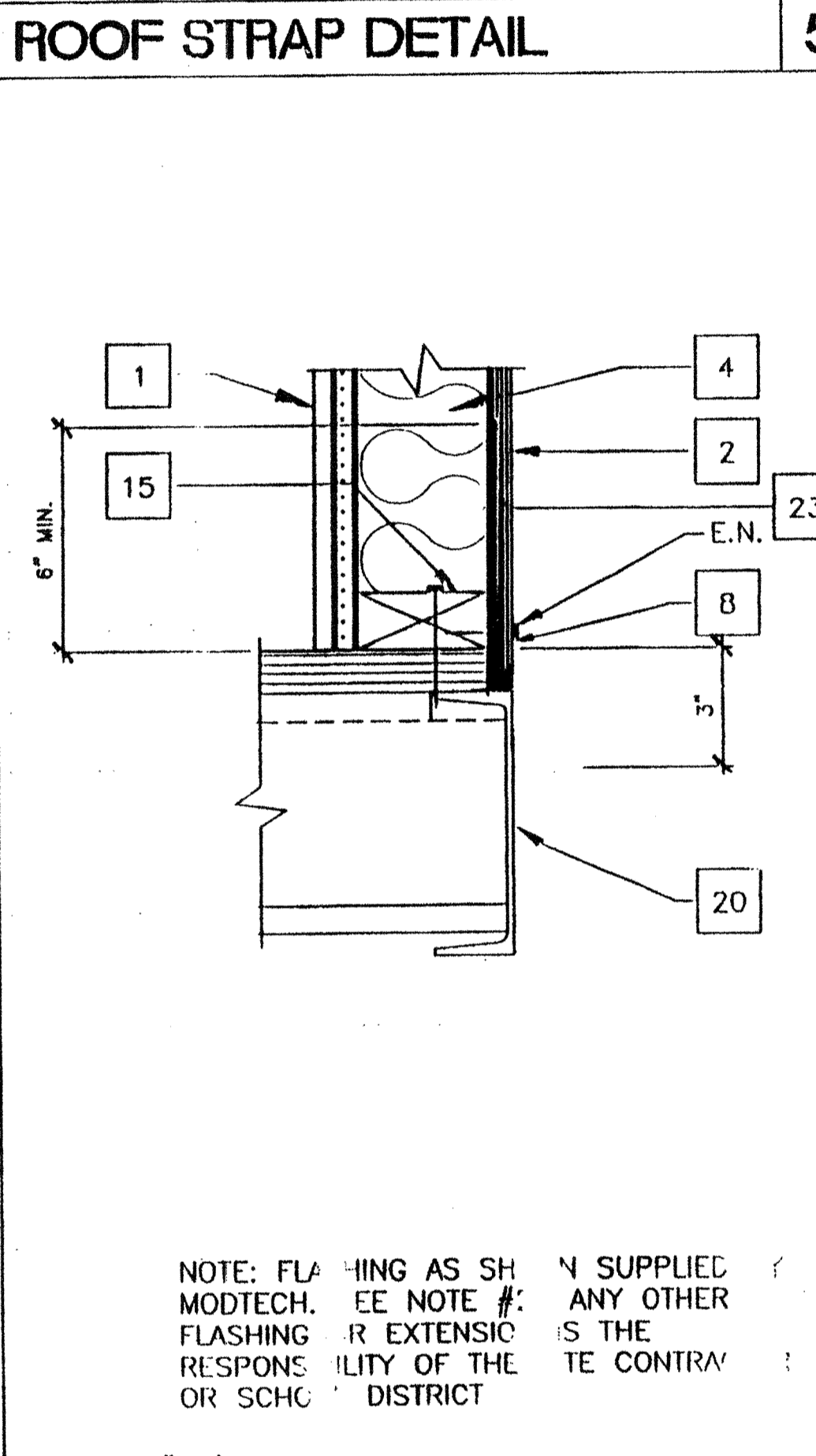
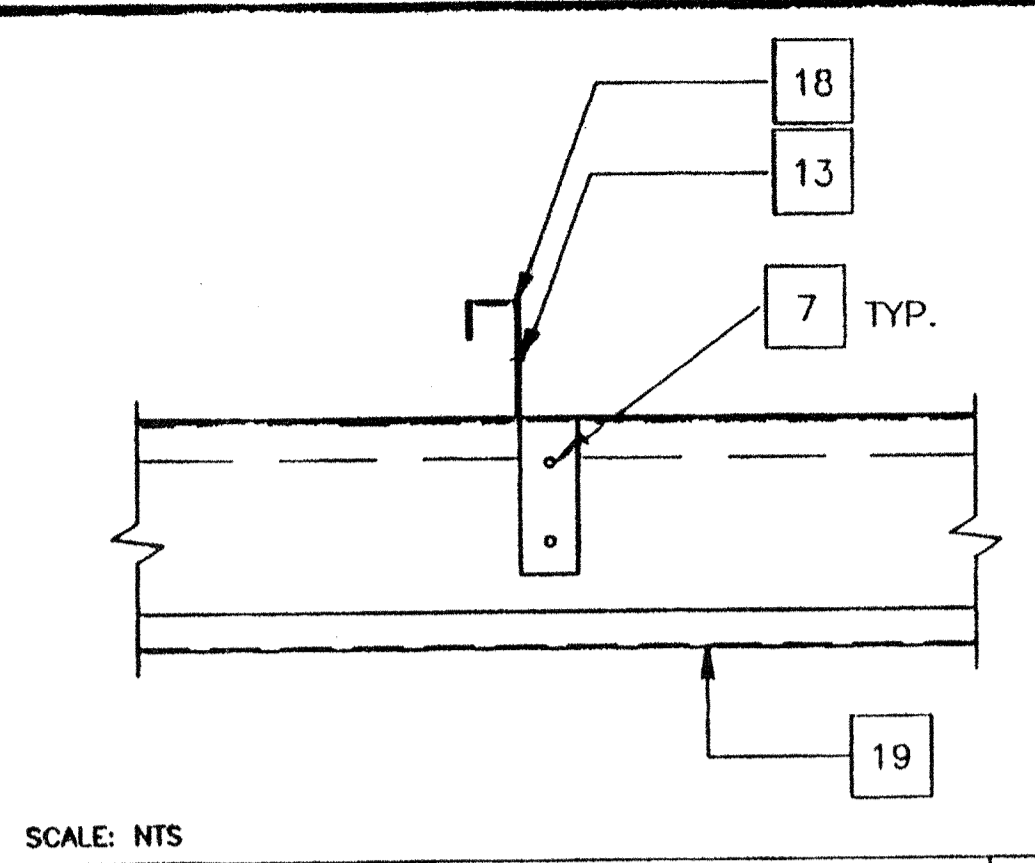
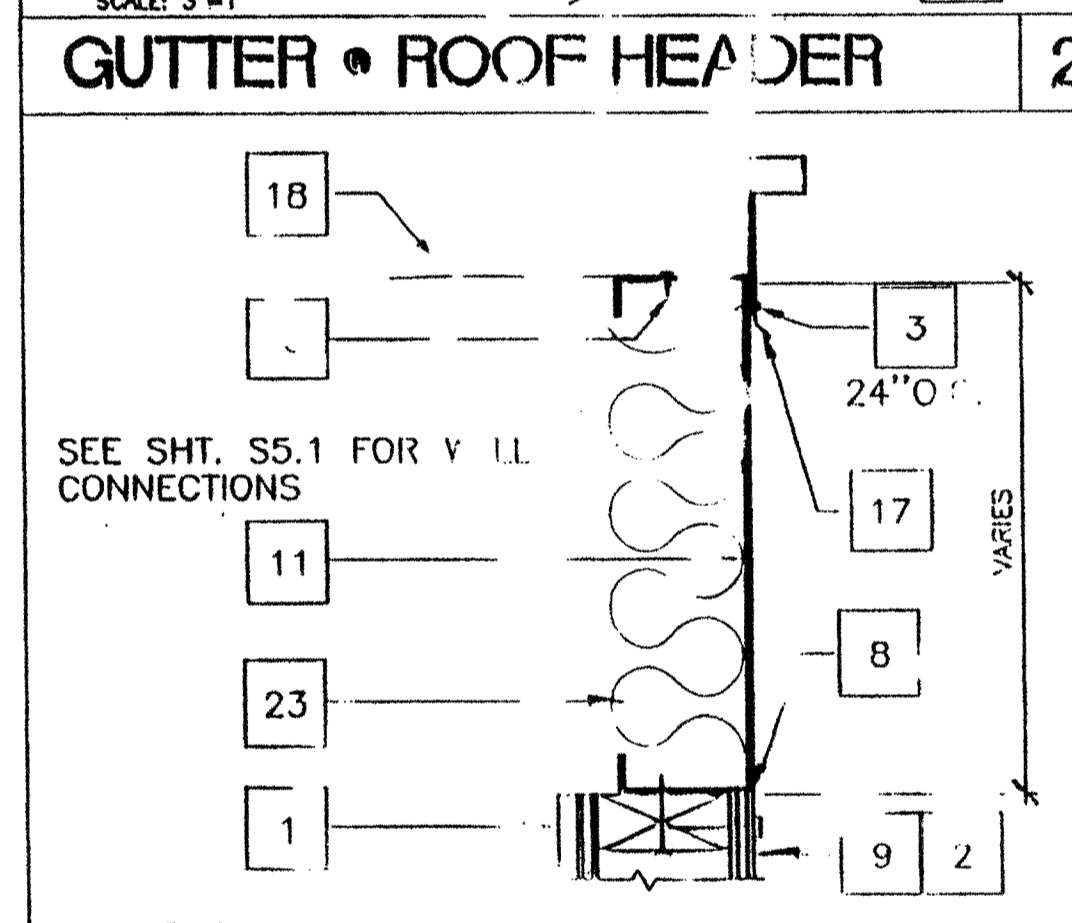
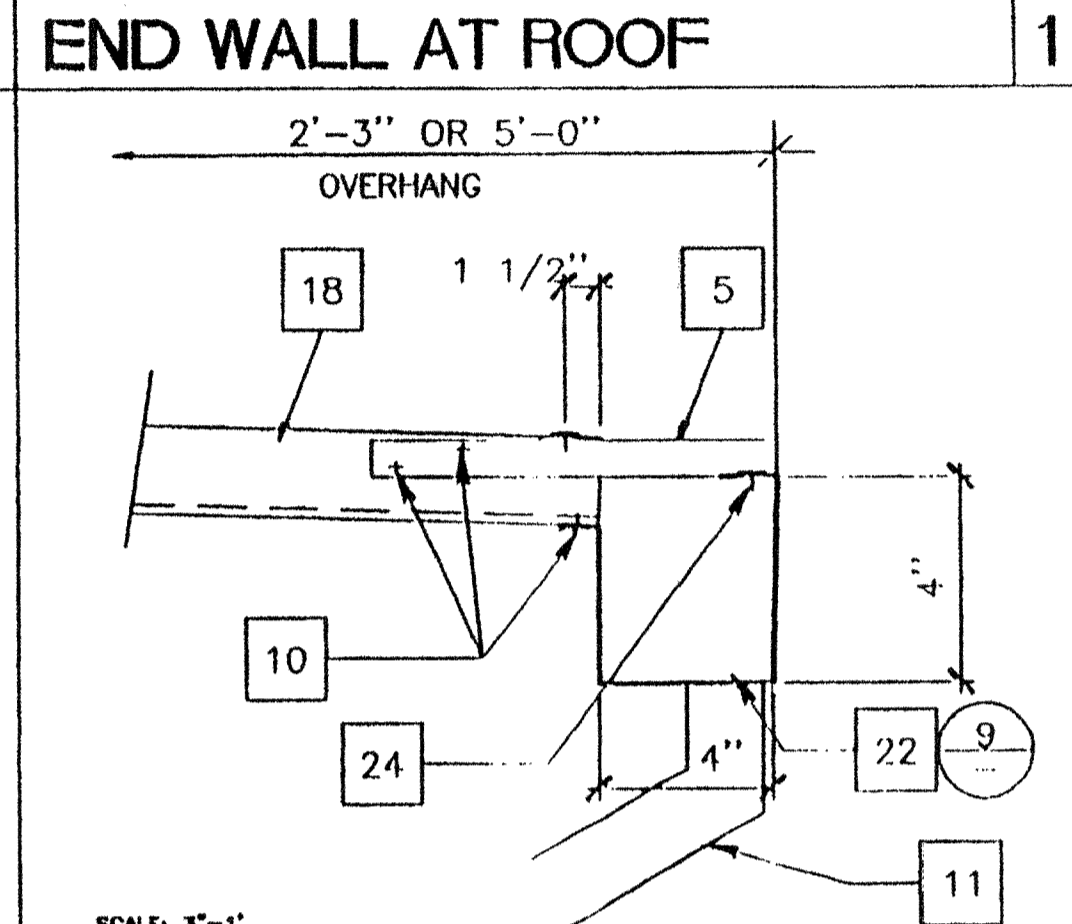
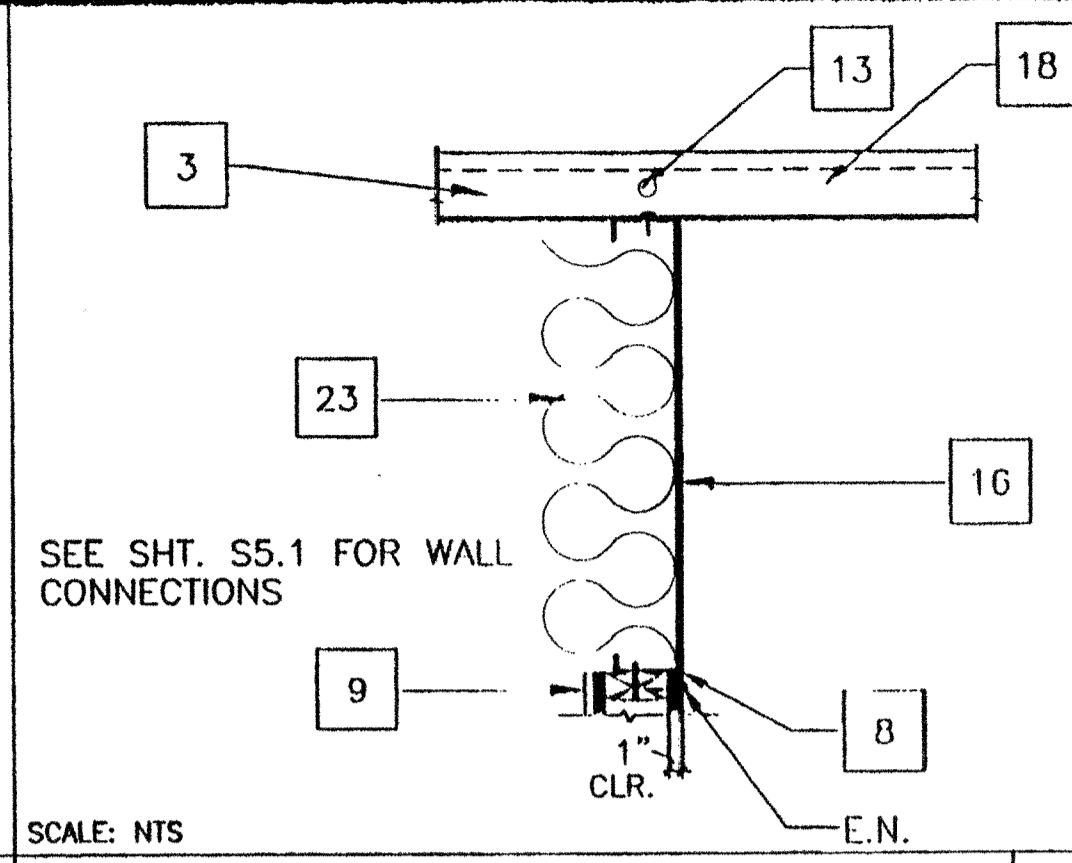
- 1 TYP. INTERIOR FINISH
- 2 TYP. EXTERIOR FINISH
- 3 #14STMS X 3/4" W/NEO WASHER 3 PER PAN MAX 6" O.C.
- 4 2X4 STUD TYP. 16" O.C.
- 5 1 1/2"X1 1/2" X 22GA L CLIP AT 32" O.C.
- 6 TUBE STEEL SEE [STR]
- 7 1 1/2"X1 1/2" X 20GA COPED ANGLE W/2 #10 STMS TO PURLIN (TYP) AT 8'-0" O.C.
- 8 SEALANT TYP. (SEE SPECIFICATIONS)
- 9 EXTERIOR WALL (SEE S5.1 FOR CONNECTIONS)
- 10 #14 STMS AT EA STANDING RIB (16" OC)
- 11 DOWNSPOUT
- 12 #8 STMS- 1 AT EA SIDE OF DOWNSPOUT TO BRACKET
- 13 (1) - #14 STMS W/NEOPRENE WASHER THROUGH RIB
- 14 ATTACHMENT BRACKET(TYP 3 PLACES: TOP, BOTTOM & MIDSPAN W/ 2-#10 STMS, BRACKET TO STUD)
- 15 2 X 4 SILL PLATE PER 4/S5.1
- 16 ROOF HEADER SEE [STR]
- 17 GI FLASHING 22GA
- 18 STANDING SEAM ROOF (SEE A2.0 FOR GA.)
- 19 ROOF PURLIN SEE [STR]
- 20 FLOOR BEAM SEE [STR]
- 21 NOT USED
- 22 CONTINUOUS 26GA. GUTTER (SEE 9/A6.1)
- 23 INSULATION (SEE SPECS FOR TYPE AND SIZE) (SEE NOTES/A6.0 FOR BURNING DATA)
- 24 #14 STMS AT EACH CLIP (32" O.C.)

~~IDENTIFICATION STAMP
DIV. OF THE STATE ARCHITECT
OFFICE OF REGULATION SERVICES~~

04 10 11
AC FLS SS
DATE MAR 20 1999
REVISED
DATE JUL 1 1999

IDENTIFICATION STAMP
DIV. OF THE STATE ARCHITECT
OFFICE OF REGULATION SERVICES

04 10 15 27
AC FLS SS
DATE SEP 02 1999



17 CONT. GUTTER AND CLOSURE 9

18 ROOF STRAP DETAIL 5

19 END WALL AT ROOF 1

20 GUTTER & ROOF HEADER 2

21 TYPICAL SILL & FLOOR 11

22 ROOF LASHING & ROOF BM. 6

23 DOWNSPOUT ATTACHMENT 12

REVISIONS	Electrical Engineer's Seal	Mechanical Engineer's Seal	Structural Engineer's Seal	Architect's Seal

Structural Engineer's Seal
S. V. MISTRY
No. 53413
EX. 26/2000
STATE OF CALIFORNIA
02-08-99

IDENTIFICATION STAMP
DIV. OF THE STATE ARCHITECT
OFFICE OF REGULATION SERVICES
PC-270
AC FLS SS
DATE FEB 19 1999
REVISED

MODTECH INC.
2830 BARRETT AVENUE
PERRIS, CALIF. 92572
PH (909) 943-4014
FAX (909) 940-0427

ARCHITECTURAL DETAILS
A6.1

ROOF NUMBER: © MODTECH, INC. 1999
DRAWN BY: RVF
CHECKED BY: JSS
DATE: 2-2-99
PROJECT NO: MODTECH Index No.
17076
DATE: 11/11/98