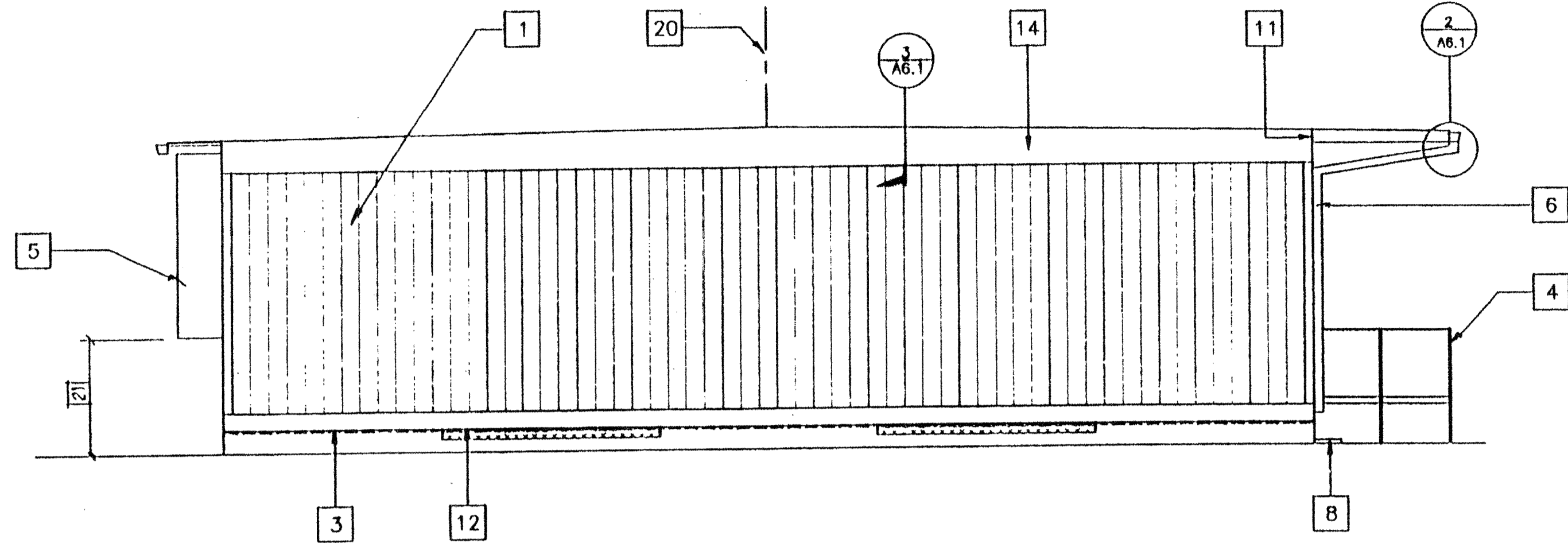
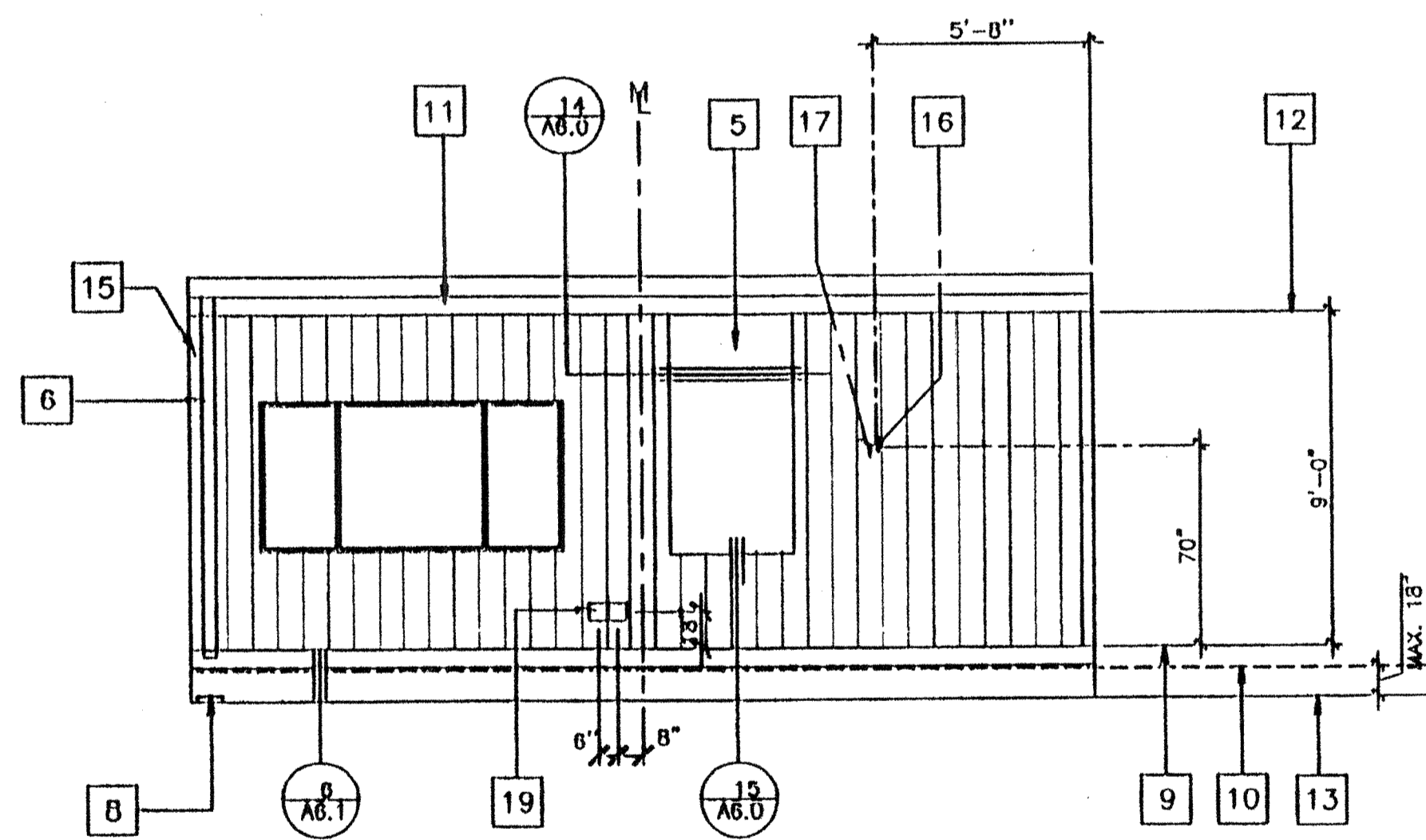


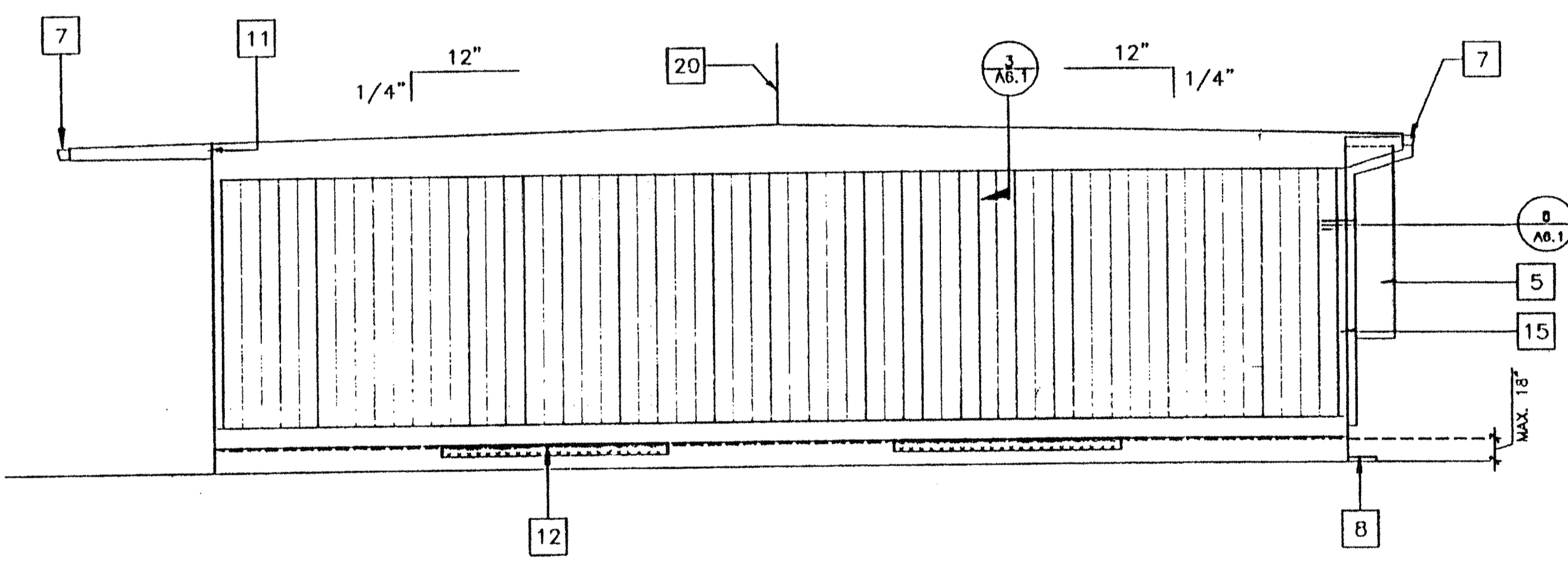
① FRONT ELEVATION
1/4" = 1'-0"



② LEFT ELEVATION
1/4" = 1'-0"



③ REAR ELEVATION
1/4" = 1'-0"



④ RIGHT ELEVATION
1/4" = 1'-0"

"A" = SHOWN
"B" = OPPOSITE

- ### KEY NOTES
- 1 TYPICAL EXTERIOR SIDING (SEE A5.0)
 - 2 EXTERIOR LIGHT FIXTURE (SEE SPEC'S)
 - 3 TOP OF SKIRTING
 - 4 RAMP AND LANDING SEE SHT. R-1
 - 5 HVAC UNIT. SEE (HV)
 - 6 DOWNSPOUT (TYP.) FOR (2). FASTEN TO BLD'G. TYP 3 PLACES (SEE B/A6.1)
 - 7 CONTINUOUS GUTTER WITH DOWNSPOUT (LOCATION OF DOWNSPOUT SHOWN ON ROOF PLAN) SEE A2.0
 - 8 SPLASH BLOCK (BY OTHERS)
 - 9 FINISH FLOOR LINE
 - 10 BOTTOM FLANGE OF FLOOR BEAM
 - 11 ROOF HEADER
 - 12 VENT. SEE FOUNDATION PLAN
 - 13 FINISH GRADE
 - 14 ROOF BEAM SEE (STR)
 - 15 COLUMN SEE (STR)
 - 16 ELECTRICAL STUB-OUT SEE (EL)
 - 17 GROUND STUB-OUT SEE (EL)
 - 18 J BOX FOR EXT. FA HORN SEE (EL)
 - 19 NEMA 6" X 6" GUTTER BOX SEE (EL)
 - 20 RIDGE
 - 21 IF UNIT IS LOCATED SO AS TO BE IN ANY PATH OF TRAVEL PROVIDE PROTECTION TO 27". (BY DISTRICT)

NOTES

1. SEE FOUNDATION PLAN FOR SIZE AND LOCATION OF UNDER FLOOR VENTS.

~~NO LONGER VALID~~

REVISED

JUL 1 1999

NOV 10 1999

MAY 20 1999

O4 101527

DATE SEP 02 1999

03 117036

6/1/16

REVISIONS	Electrical Engineer's Seal	Mechanical Engineer's Seal	Structural Engineer's Seal	Architect's Seal
1				
2				
3				
4				
5				
6				

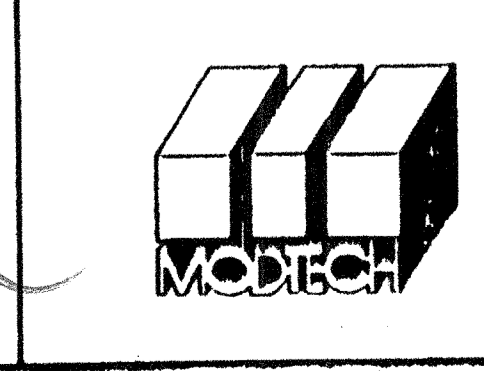
Electrical Engineer's Seal

Mechanical Engineer's Seal

Structural Engineer's Seal

Architect's Seal

IDENTIFICATION STAMP
DIV. OF THE STATE ARCHITECT
OFFICE OF REGULATION SERVICES
PC-270
AC 17 PLS SS 27P
DATE FEB 19 1999
REVISED



MODTECH INC.
2830 BARRETT AVENUE
PERRIS, CALIF. 92572
PH (909) 943-4014
FAX (909) 940-0427

PROJECT NUMBER: © MODTECH, INC. 1999

EXTERIOR ELEVATIONS

DRAWN BY: RVT
CHECKED BY: SS
DATE: 2-2-99
PROJECT NO:
MODTECH Form No.
A3.0

FILE PATH: PC270A30.DWG

PROJECT NO.

PC-270