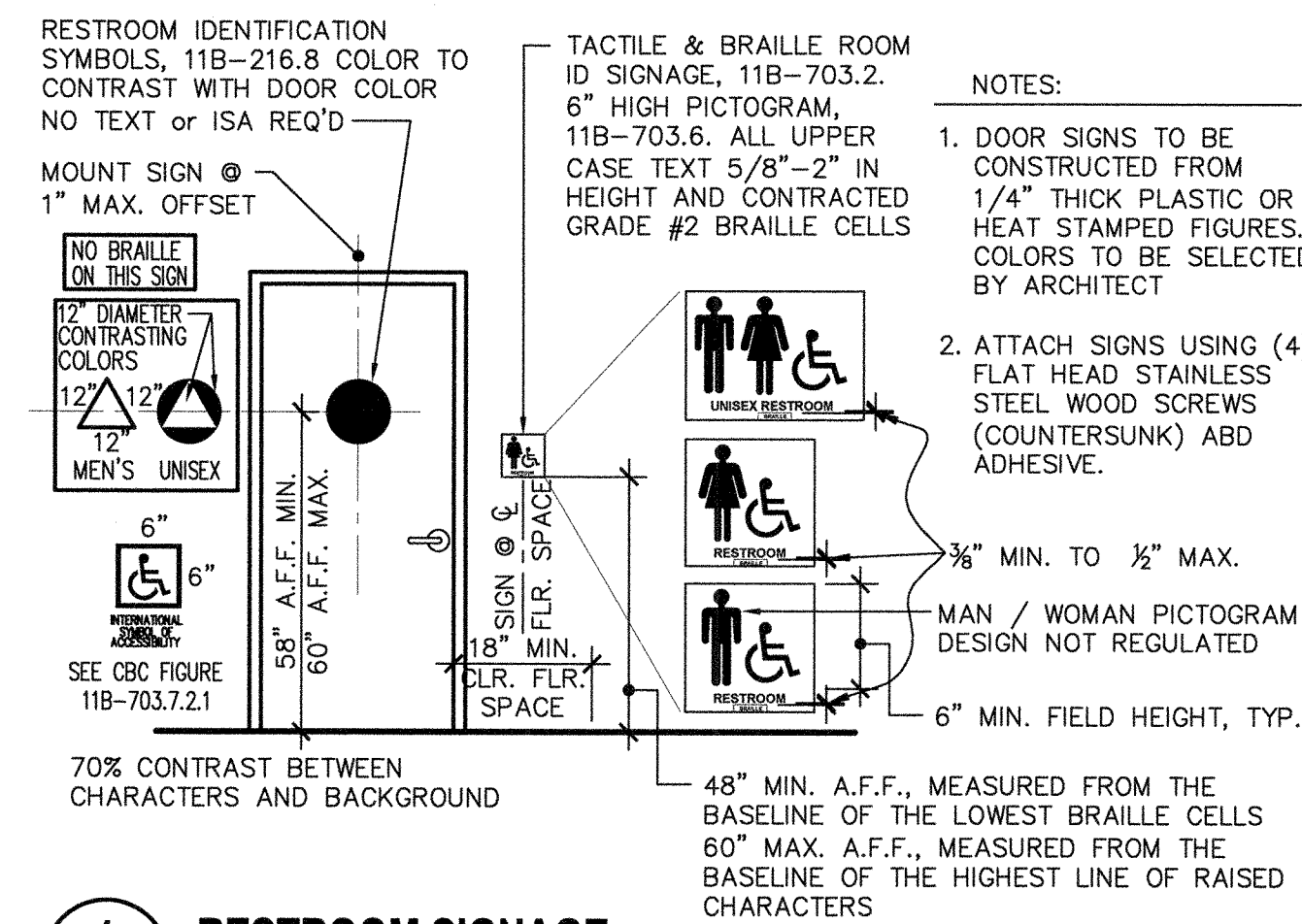
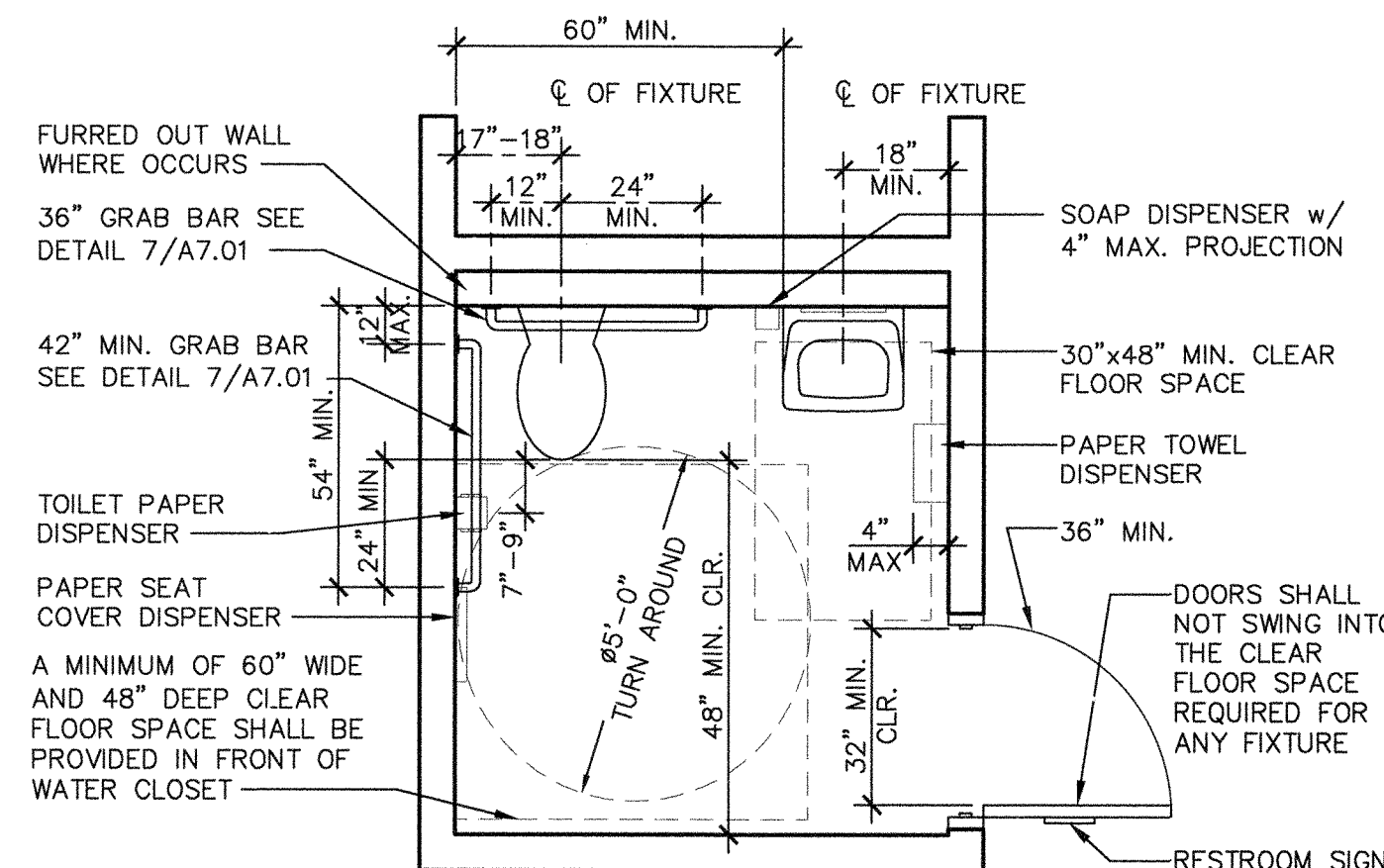


9 KNEE AND TOE CLEARANCE @ ACCESSIBLE LAVATORY
 A7.01 ADA200-10 SCALE: 1" = 1'-0"

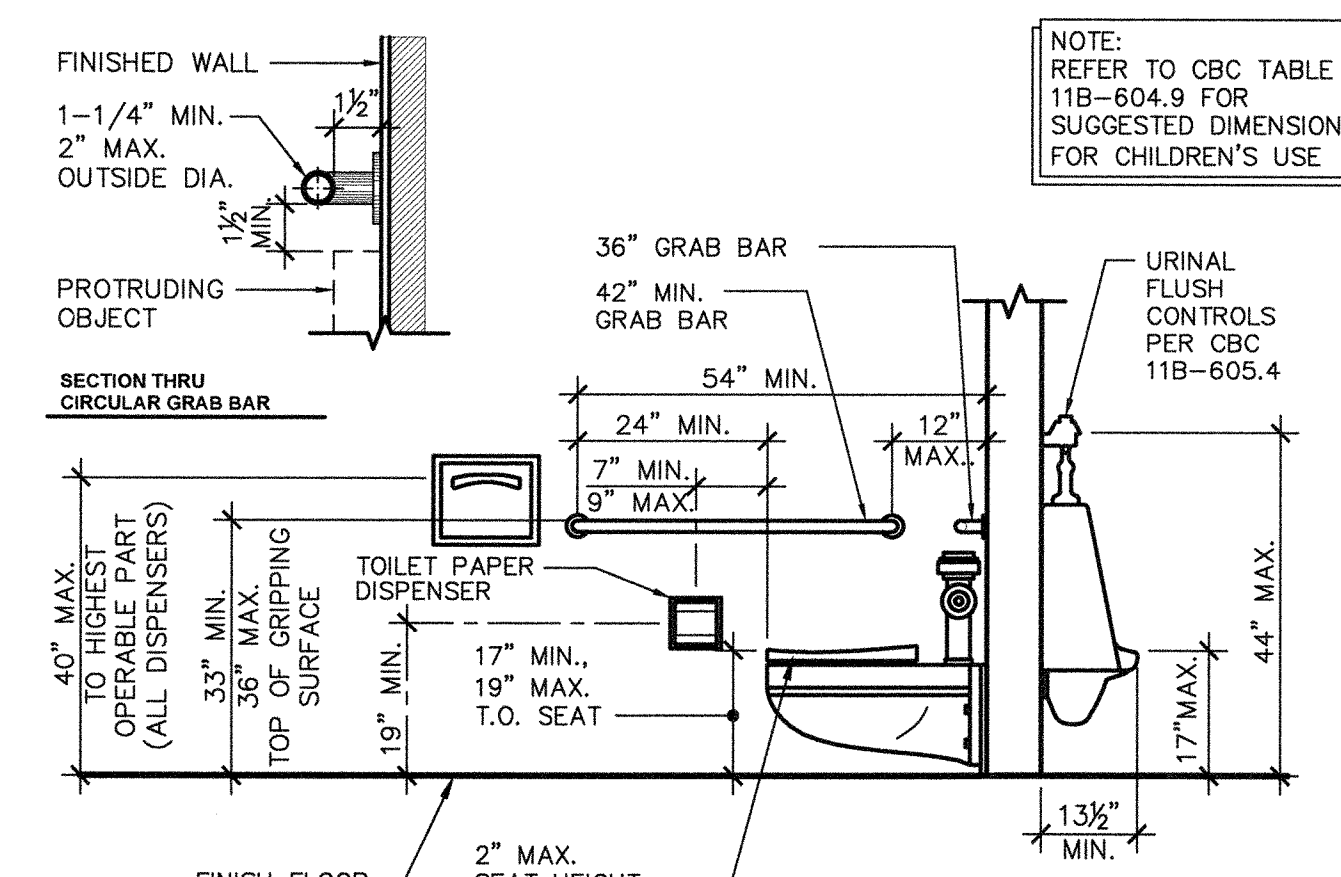
- NOTES:**
- NO SHARP OR ABRASIVE SURFACES SHALL BE PRESENT UNDER LAVATORIES.
 - ALL PIPES UNDERNEATH LAVATORIES SHALL BE INSULATED TO PROTECT AGAINST CONTACT FROM THE PERSONS USING THE FIXTURE. (REFER TO SPECIFICATIONS)
 - THE LOWER REFLECTIVE EDGE OF MIRRORS SHALL NOT EXCEED 40 INCHES ABOVE THE FINISHED FLOOR.
 - ACCEPTABLE FAUCETS SHALL INCLUDE PUSH ELECTRONIC AND LEVER MECHANISM. FAUCETS WITH SELF-CLOSING VALVES SHALL REMAIN OPEN FOR NO LESS THAN 10 SECONDS. SEE PLUMBING DRAWINGS.
 - ACCESSIBLE FAUCET CONTROLS SHALL BE PUSH TYPE WITH 5 LBS MAX. OPERATING FORCE.



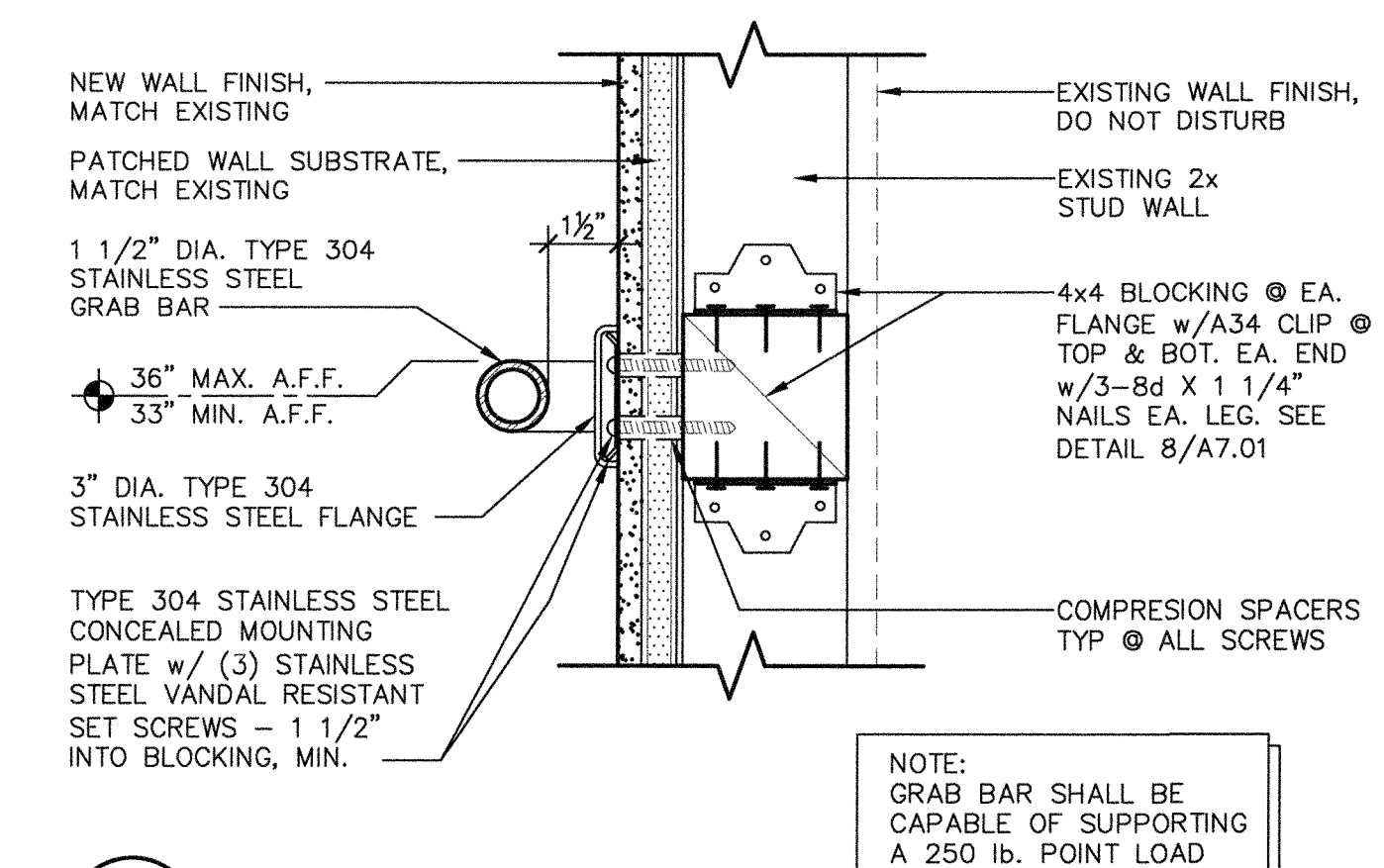
1 RESTROOM SIGNAGE
 A7.01 ADA000-01 SCALE: 1" = 1'-0"



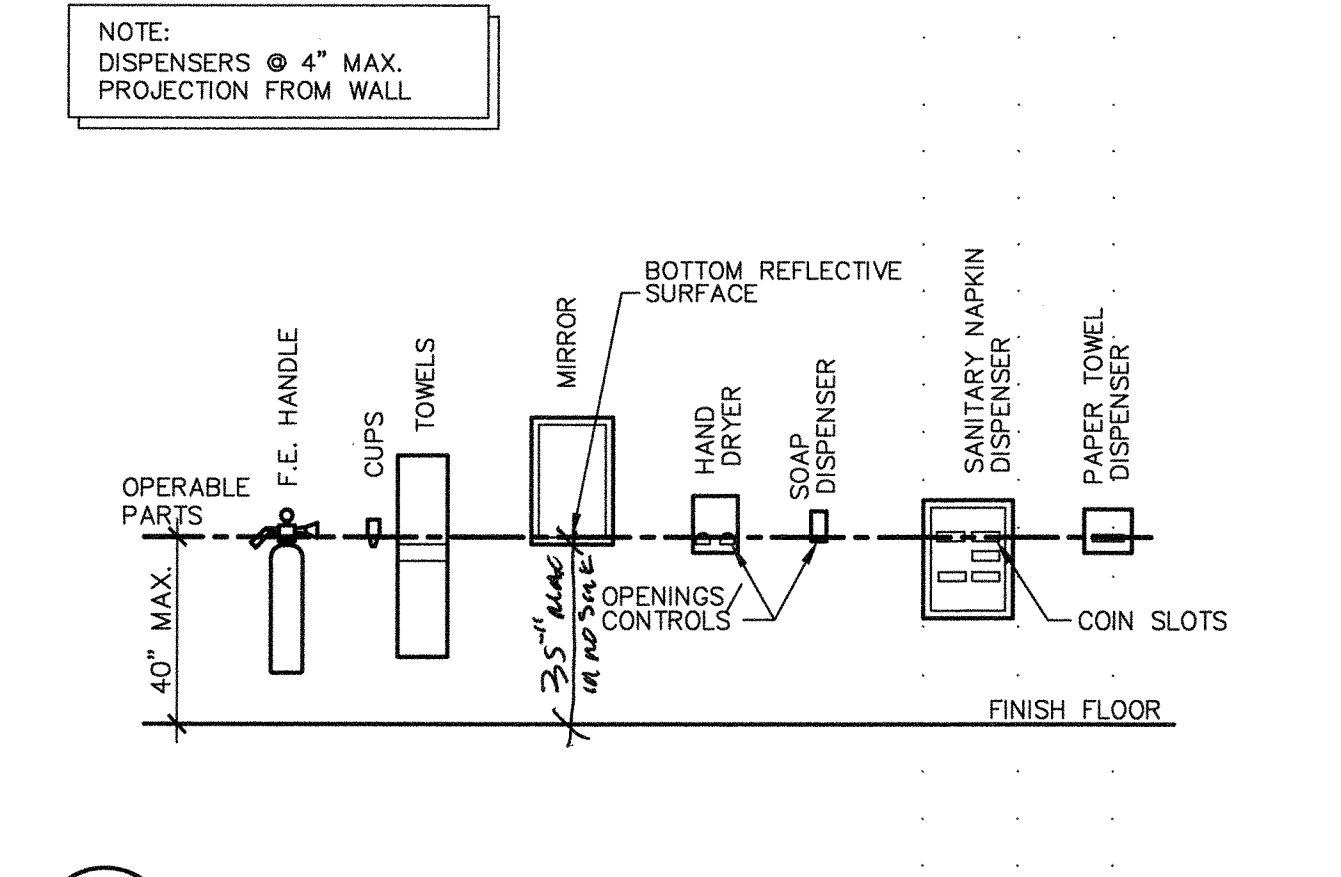
6 MINIMUM ACCESSIBLE SINGLE OCCUPANCY TOILET
 A7.01 ADK200-03 SCALE: 1" = 1'-0"



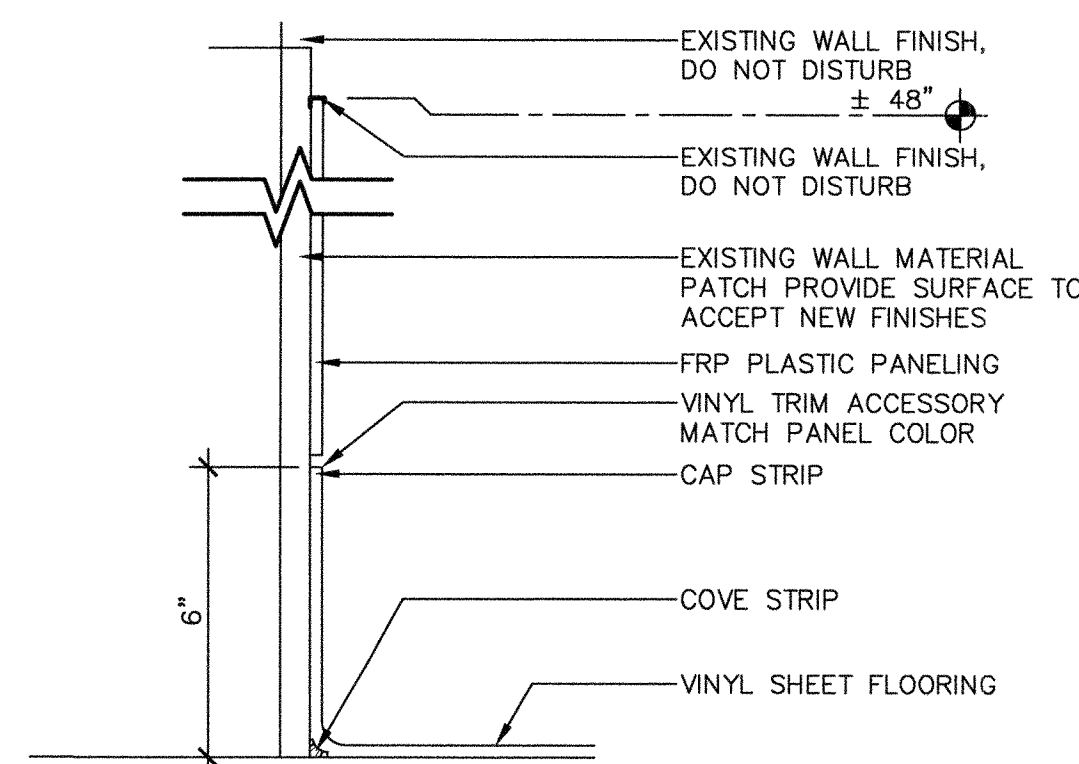
2 ACCESSIBLE MOUNTING HEIGHTS
 A7.01 ADA200-12 SCALE: 1" = 1'-0"



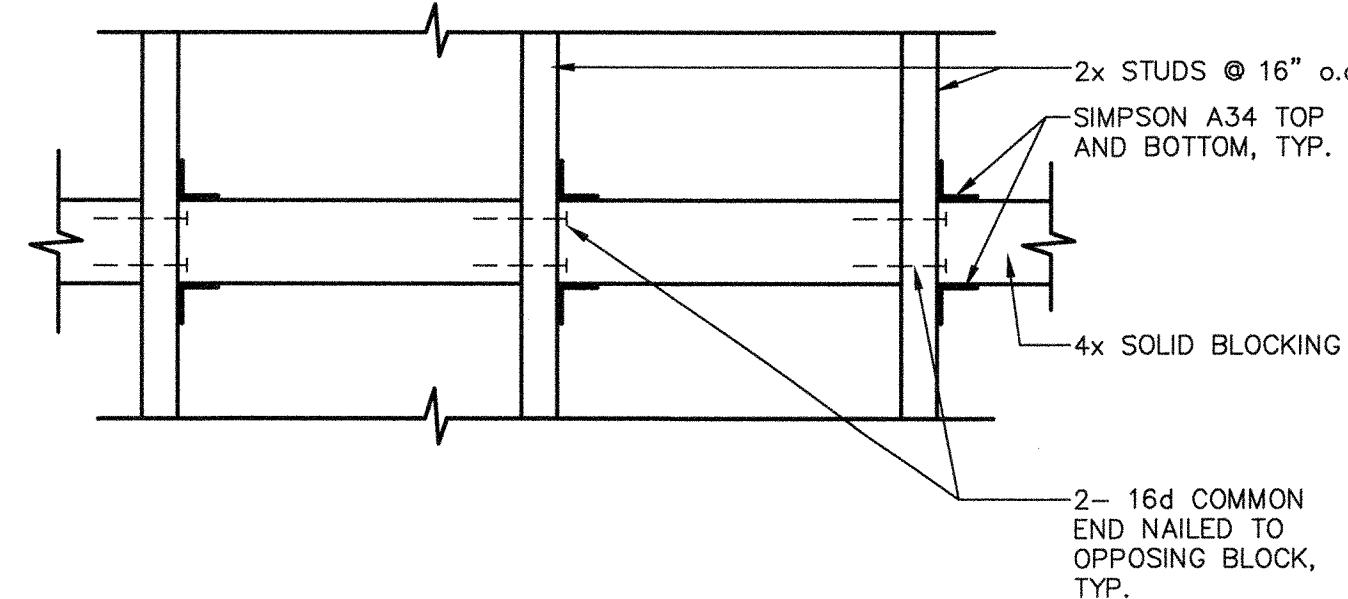
7 GRAB BAR ANCHORAGE
 A7.01 ADM240-01 SCALE: 1" = 1'-0"



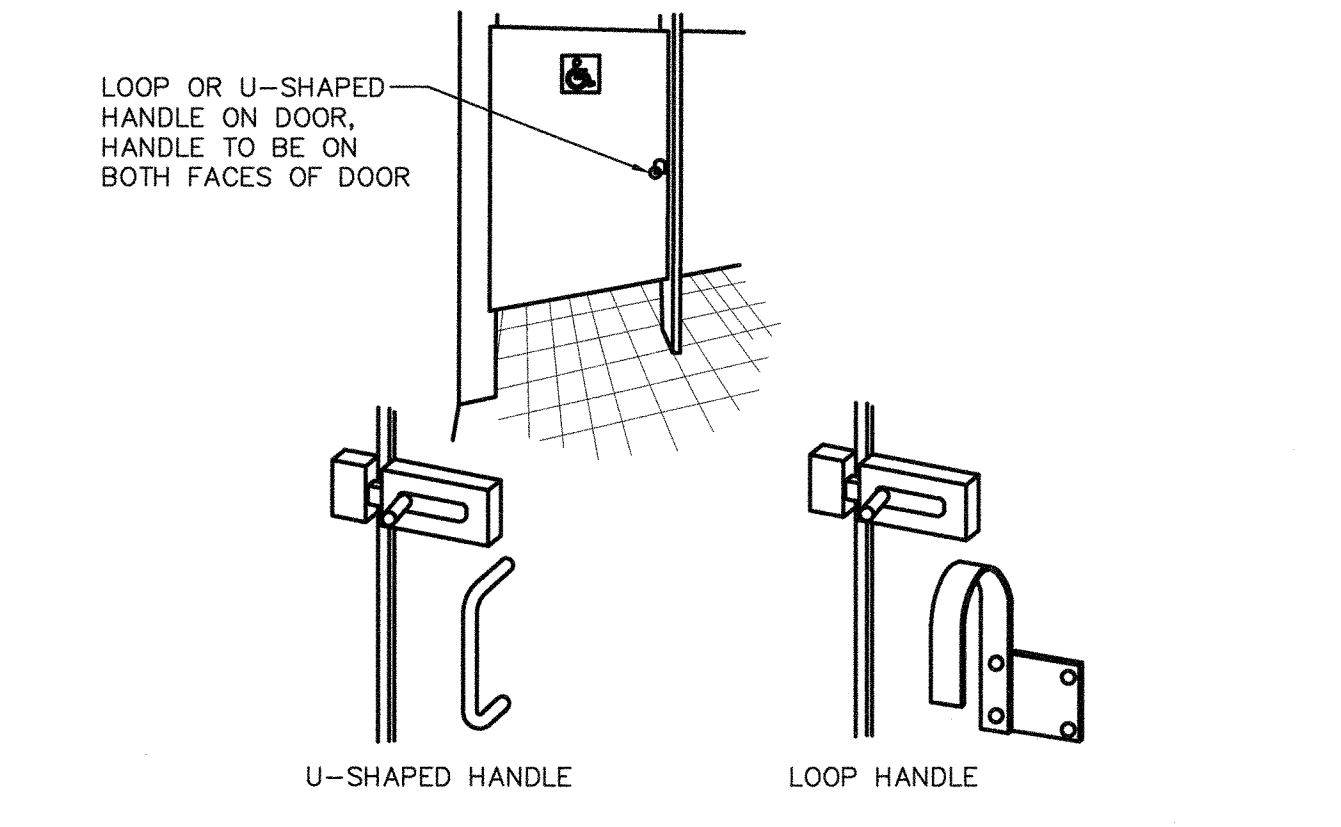
3 MOUNTING HEIGHTS FOR TOILET RM ACCESSORIES
 A7.01 ADA200-13 SCALE: 1" = 1'-0"



12 VINYL SHEET FLOORING (COVE BASE)
 A7.01 ADB240-02 SCALE: 1" = 1'-0"



8 TYPICAL BACKING @ WOOD STUDS
 A7.01 ADB240-01 SCALE: 1" = 1'-0"



4 ACCESSIBLE TOILET DOOR HARDWARE
 A7.01 ADA200-14 SCALE: 1" = 1'-0"

Ownership of Documents
 This document, the ideas and designs incorporated herein, as an instrument of Professional Service is the property of Integrated Designs by SOMAM, Inc. and is not to be used, in whole or in part for any other project without written authorization.
 © COPYRIGHT 2015

integrated designs by SOMAM, Inc.
 ARCHITECTURE - ENGINEERING - INTERIOR DESIGN - CONSTRUCTION MANAGEMENT
 5011 N. Fresno, Suite 130 Fresno, California 93710
 Phone (559) 438-0881 Fax (559) 438-0882 E-Mail: design@somam.com
 www.integrateddesigns.com

Rev. Date	Revision Description

DETAILS

4 RELOCATABLE CLASSROOMS
 FRANKLIN ELEMENTARY SCHOOL
 BAKERSFIELD CITY SCHOOL DISTRICT
 2400 TRUXTUN AVENUE BAKERSFIELD, CA 93301

Issue Date: 10/31/14
 Date: 04/14/16
 Designer: [Signature]
 DR: [Signature]
 PC: C/H

AGENCY APPROVAL STAMP

IDENTIFICATION STAMP
 DIV OF THE STATE ARCHIVE
 03 117026
 AC: [Signature]
 DATE: 07/16

Stamp(s):

REGISTERED ARCHITECT
 ERIC T. E. F. W. M.
 No. C 28866
 STATE OF CALIFORNIA

Job No.: **5142**

Sheet No.: **A7.01**

Release: -