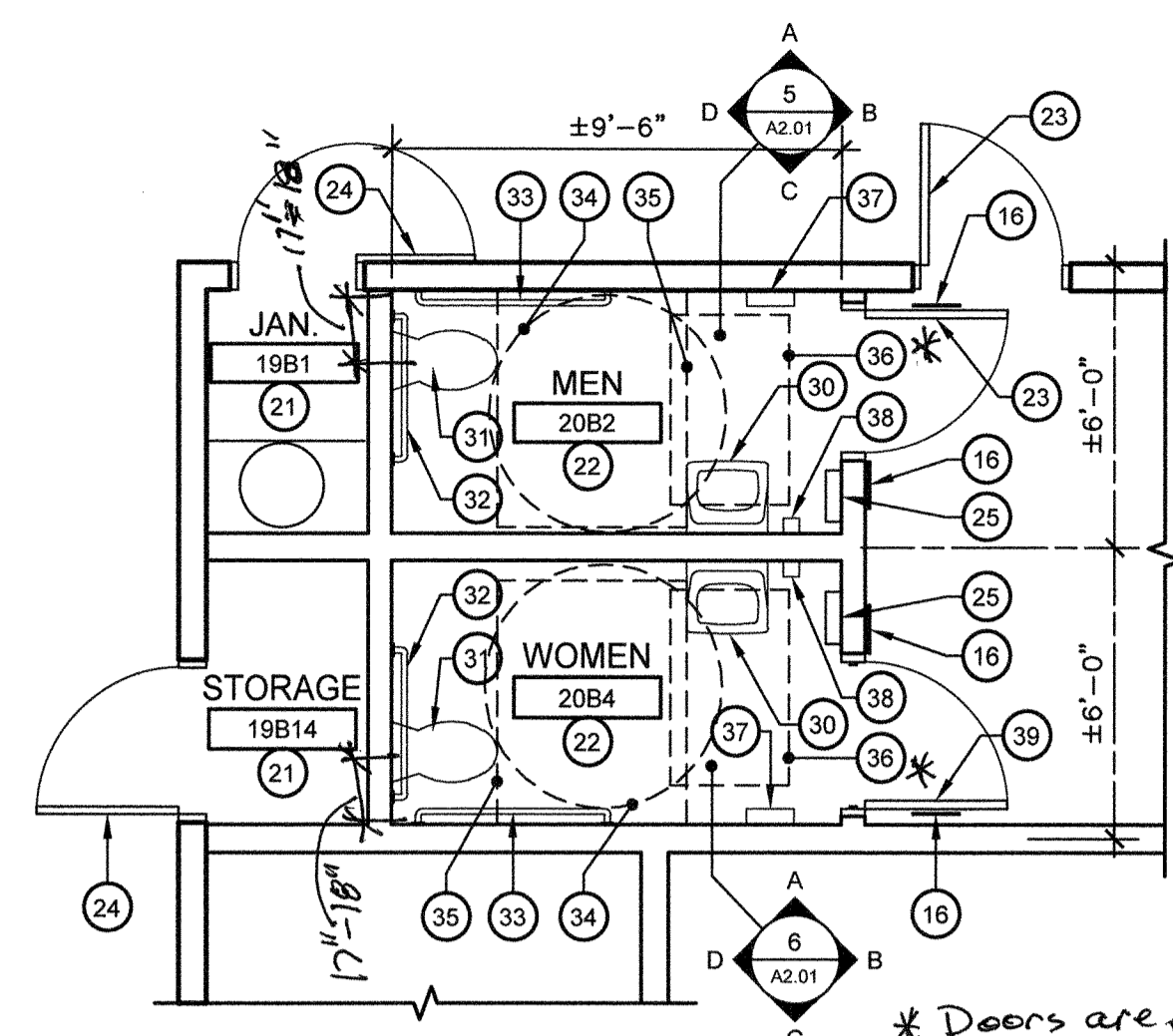
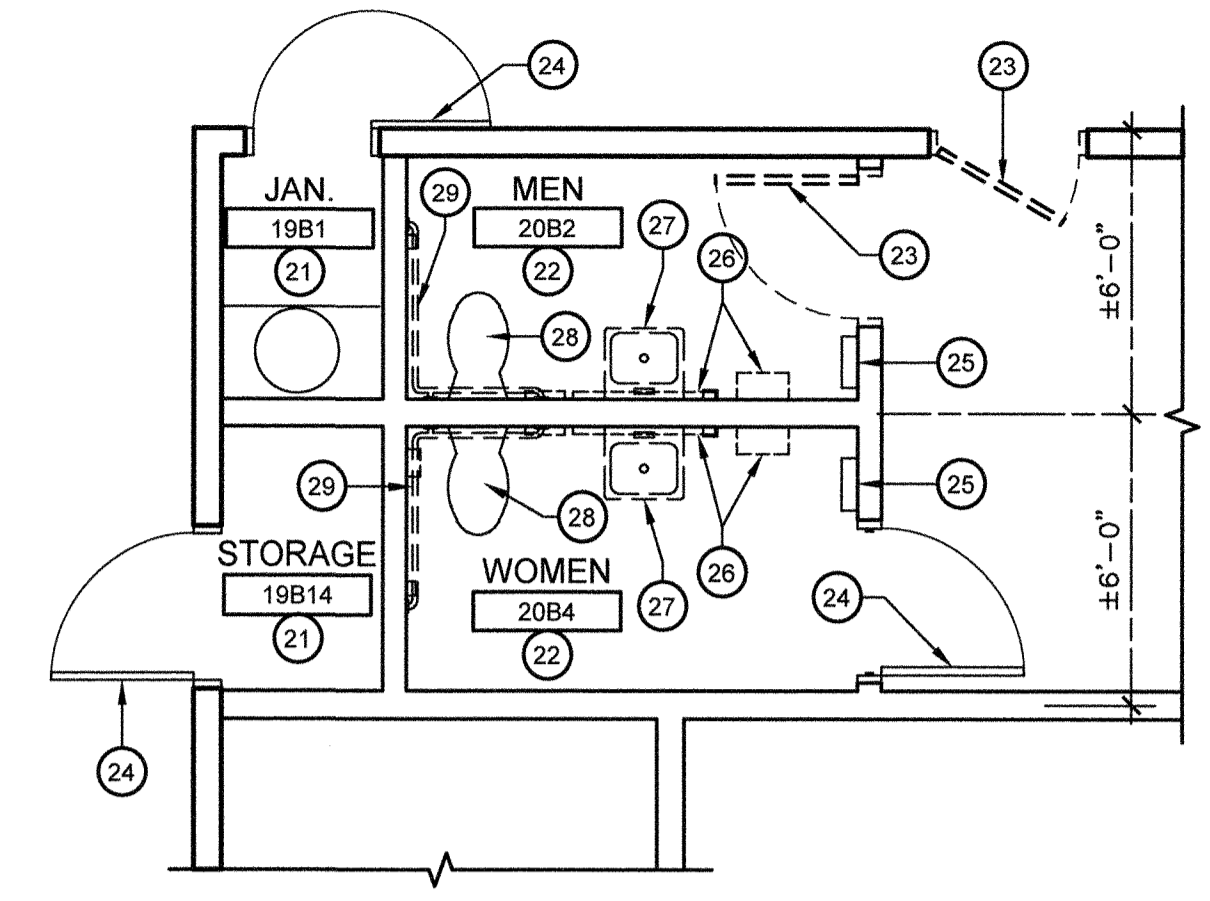


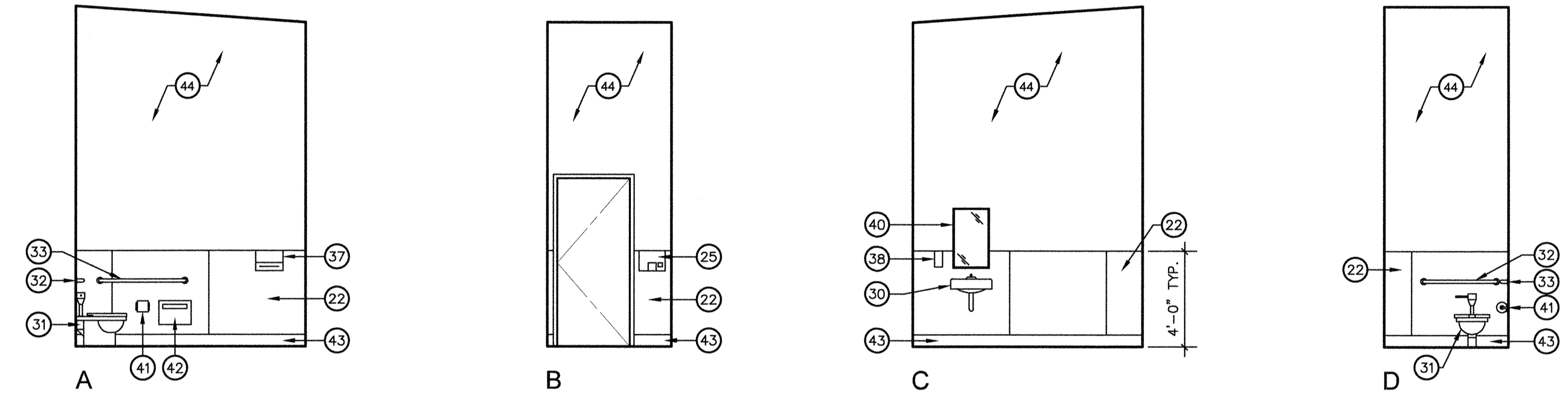
1" = 40'-0"
 1" = 30'-0"
 1" = 20'-0"
 1" = 1'-0"
 1/8" = 1'-0"
 1/4" = 1'-0"



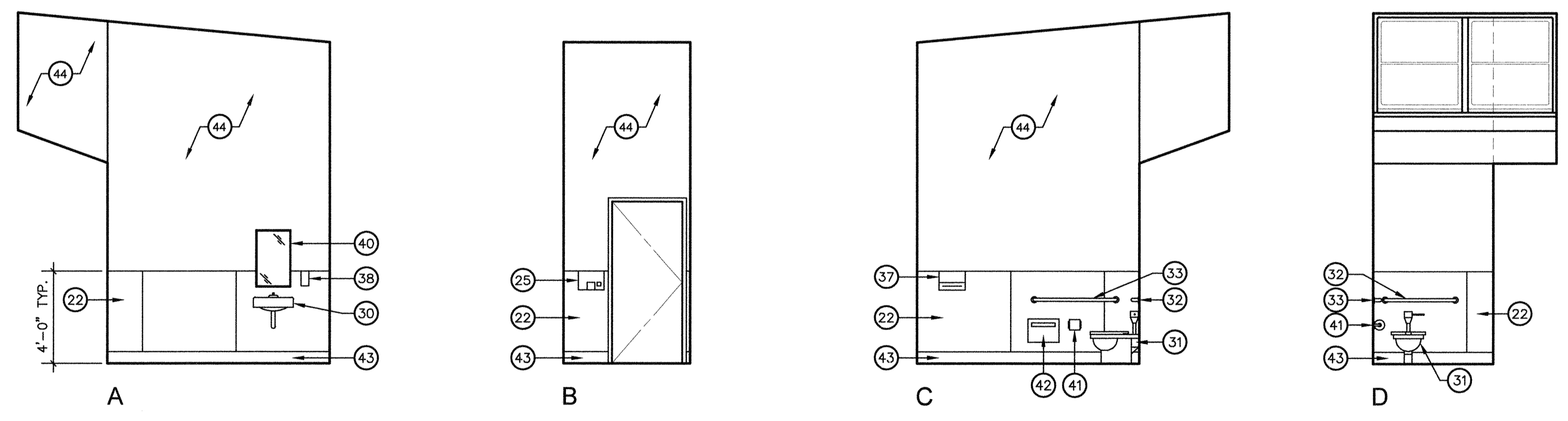
4 MENS & WOMENS RESTROOM NEW PLAN
 1/4" = 1'-0"



3 MENS & WOMENS RESTROOM DEMO PLAN
 1/4" = 1'-0"

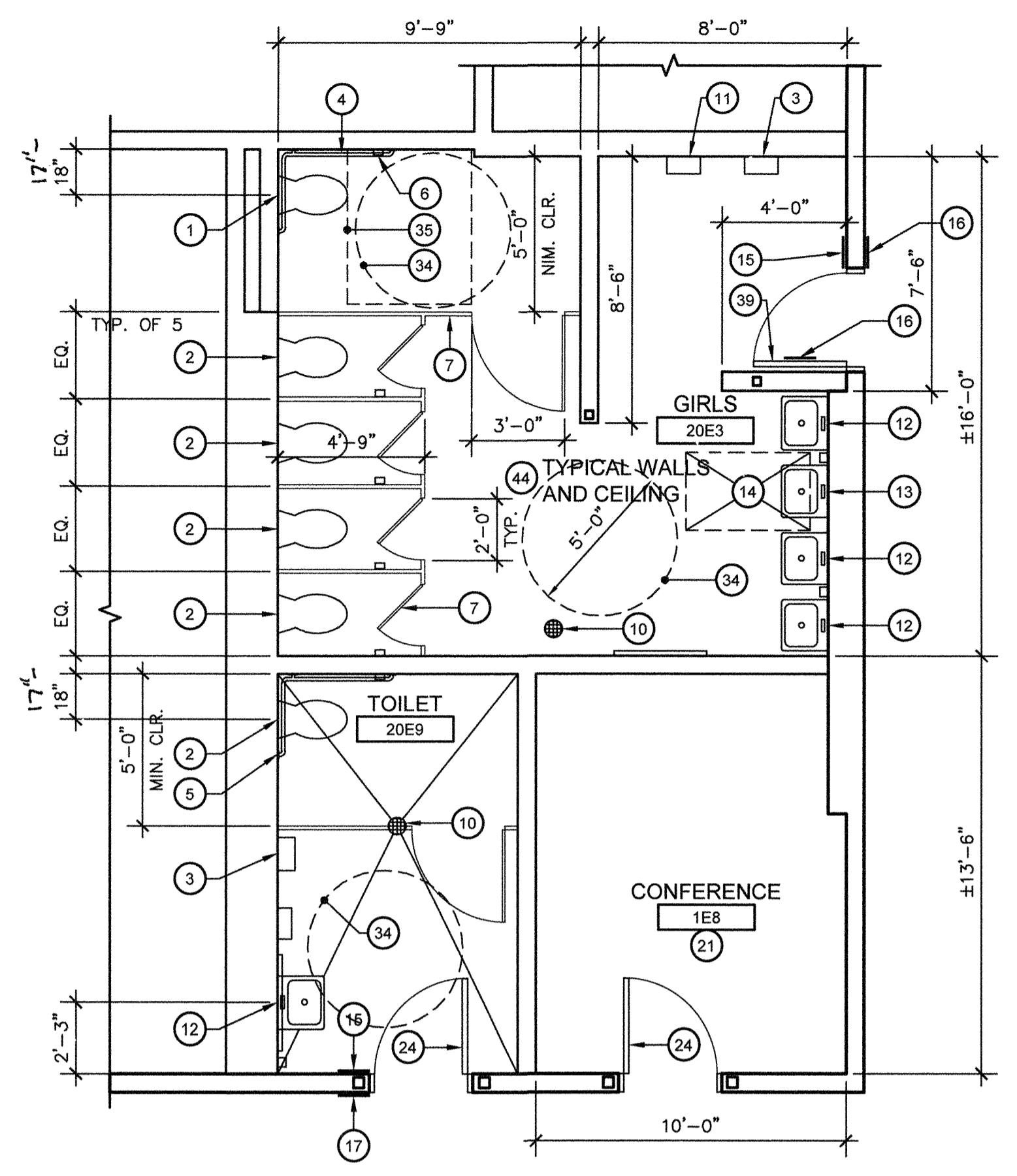


5 MENS RESTROOM ELEVATIONS
 1/4" = 1'-0"

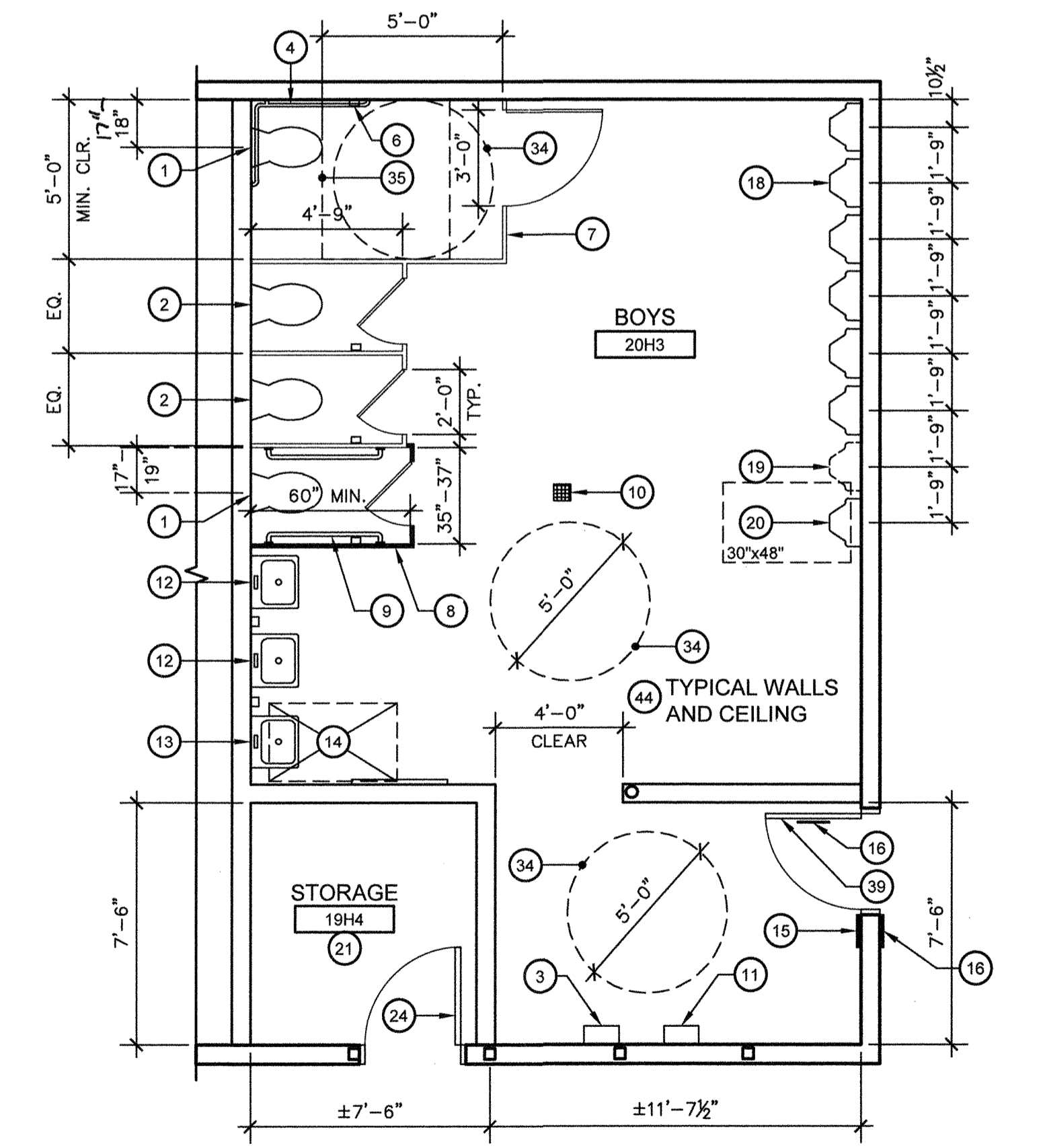


6 WOMENS RESTROOM ELEVATIONS
 1/4" = 1'-0"

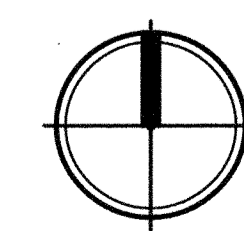
* See Details 2, 3 & 9/A7.01 for mounting heights all Restrooms



1 GIRLS RESTROOM, BUILDING E
 1/4" = 1'-0"



2 BOYS RESTROOM, BUILDING H
 1/4" = 1'-0"



ENLARGED RESTROOM PLANS
FRANKLIN ELEMENTARY SCHOOL

SCALE: AS NOTED

KEY NOTES

- EXISTING TOILET. REMOVE AND REPLACE WITH NEW ADA ACCESSIBLE MODEL. SEE SPECS
- EXISTING TOILET TO REMAIN. NO WORK
- EXISTING ELECTRIC HAND DRYER TO REMAIN. NO WORK
- EXISTING CONTINUOUS ADA GRAB BAR. VERIFY DIMENSIONAL COMPLIANCE WITH 2/A7.01. MODIFY AS NECESSARY
- EXISTING CONTINUOUS ADA GRAB BAR TO REMAIN. NO WORK
- RELOCATE EXISTING TOILET PAPER AND SEAT COVER DISPENSERS TO COMPLY WITH 2/A7.01
- EXISTING TOILET PARTITION TO REMAIN. VERIFY AND UPGRADE HARDWARE AT ACCESSIBLE STALL, AS NECESSARY, PER 4/A7.01
- REPLACE PORTION OF EXISTING TOILET PARTITION PANELS AND DOOR WITH NEW IN NEW LOCATION, AS DIMENSIONED, TO CREATE AMBULATORY ACCESSIBLE STALL
- NEW 42" MIN. GRAB BAR AT AMBULATORY ACCESSIBLE STALL, TYPICAL BOTH SIDES
- EXISTING FLOOR DRAIN TO REMAIN. NO WORK
- EXISTING PAPER TOWEL DISPENSER TO REMAIN. VERIFY MOUNTING HEIGHT FOR ADA COMPLIANCE PER 3/A7.01
- EXISTING LAVATORY TO REMAIN. NO WORK
- EXISTING LAVATORY. VERIFY ADA COMPLIANCE WITH 9/A7.01. MODIFY AS NECESSARY
- VERIFY EXISTING 30"x48" ADA CLEAR FLOOR SPACE AT LAVATORY PER 9/A7.01
- NEW TACTILE EXIT SIGN PER 2/A1.03
- NEW ACCESSIBLE RESTROOM SIGNAGE PER 1/A7.01
- NEW ACCESSIBLE RESTROOM DIRECTIONAL SIGNAGE PER 11/A1.03
- EXISTING URINAL TO REMAIN. NO WORK
- REMOVE EXISTING URINAL TO OBTAIN ADA CLEAR FLOOR AREA AT ADJACENT URINAL. CAP PIPES IN WALL AND PATCH TILE TO MATCH EXISTING
- EXISTING FLOOR MOUNTED URINAL. VERIFY ADA COMPLIANCE PER 2/A7.01
- EXISTING ROOM TO REMAIN. NO WORK
- EXISTING WALL SUBSTRATE TO BE PATCHED AND REPLACED IN KIND AFTER INSTALLATION OF NEW FIXTURES. INSTALL NEW FRP SURFACE, AS SHOWN. PRIOR TO INSTALLATION OF NEW OR RELOCATED ACCESSORIES
- EXISTING DOOR. REVERSE SWING AND REINSTALL. INSTALL NEW ADA HARDWARE. PATCH AND PAINT EXISTING FRAME
- EXISTING DOOR TO REMAIN. NO WORK
- EXISTING ELECTRIC HAND DRYER. REMOVE AND REINSTALL IN PLACE AFTER INSTALLATION OF NEW WALL FINISH
- EXISTING RESTROOM ACCESSORIES TO BE REMOVED AND REINSTALLED IN NEW LOCATIONS AS SHOWN PER 4, 5 AND 6/A2.01
- EXISTING LAVATORY TO BE REMOVED
- EXISTING TOILET TO BE REMOVED
- EXISTING CONTINUOUS GRAB BAR TO BE REMOVED
- NEW ADA ACCESSIBLE LAVATORY PER 9/A7.01
- NEW ADA ACCESSIBLE TOILET PER 2/A7.01
- NEW 36" MIN. ADA GRAB BAR PER 6/A7.01
- NEW 42" MIN. ADA GRAB BAR PER 6/A7.01
- 60" Ø MIN. CIRCULAR TURNING SPACE
- 60" W. x 48" D. MIN. MANEUVERING SPACE IN FRONT OF WATER CLOSET
- 30" W. x 48" D. MIN. CLEAR FLOOR SPACE AT LAVATORY
- NEW POSITION OF REINSTALLED PAPER TOWEL DISPENSER
- NEW POSITION OF REINSTALLED SOAP DISPENSER
- NEW ADA HARDWARE AT EXISTING DOOR, SEE SPECS
- NEW POSITION OF REINSTALLED MIRROR
- NEW POSITION OF TOILET PAPER DISPENSER
- NEW POSITION OF SEAT COVER DISPENSER
- 6" COVERED BASE AT NEW SHEET VINYL FLOORING 12/A7.01
- PAINT P 12B

GENERAL NOTES

- VERIFY HEIGHTS OF ALL RESTROOM ACCESSORIES FOR ADA COMPLIANCE. RELOCATE AS NECESSARY TO COMPLY WITH 3/A7.01
- FIELD VERIFY EXISTING DIMENSIONS SHOWN FOR ADA COMPLIANCE. NOTIFY ARCHITECT IMMEDIATELY OF ANY DISCREPANCIES

LEGEND

--- EXISTING ITEMS TO BE REMOVED

Ownership of Documents
 This document, the ideas and designs incorporated herein, as an instrument of Professional Service is the property of Integrated Designs by SOMAM, Inc. and is not to be used, in whole or in part for any other project without written authorization.
 © COPYRIGHT 2015

integrated designs by SOMAM, Inc.
 ARCHITECTURE - ENGINEERING - INTERIOR DESIGN - CONSTRUCTION MANAGEMENT
 9011 N. Fresno, Suite 100 Fresno, California 93710
 Phone (559) 438-0881 Fax (559) 438-0881 E-Mail: design@somam.com
 www.integrateddesigns.com

Rev. No.	Date	Description

ENLARGED RESTROOM PLANS
4 RELOCATABLE CLASSROOMS
FRANKLIN ELEMENTARY SCHOOL
 BAKERSFIELD CITY SCHOOL DISTRICT
 2400 TRUXTUN AVENUE BAKERSFIELD, CA 93301

Issue Date: 10/31/14
 Date: 04/14/16
 Designer: [Signature]
 DR: [Signature]
 PC: C.H.

AGENCY APPROVAL STAMP
 DIVISION OF THE STATE ARCHITECTS
 17036
 [Signature]
 DATE: 4/14/16

Stamp(s):

Professional Seal: ARCHITECT CURTIS E. FINE, No. C 28966, STATE OF CALIFORNIA

Job No.: **5142**

Sheet No.: **A2.01**

Release: -
 RICHARD DELLANINI