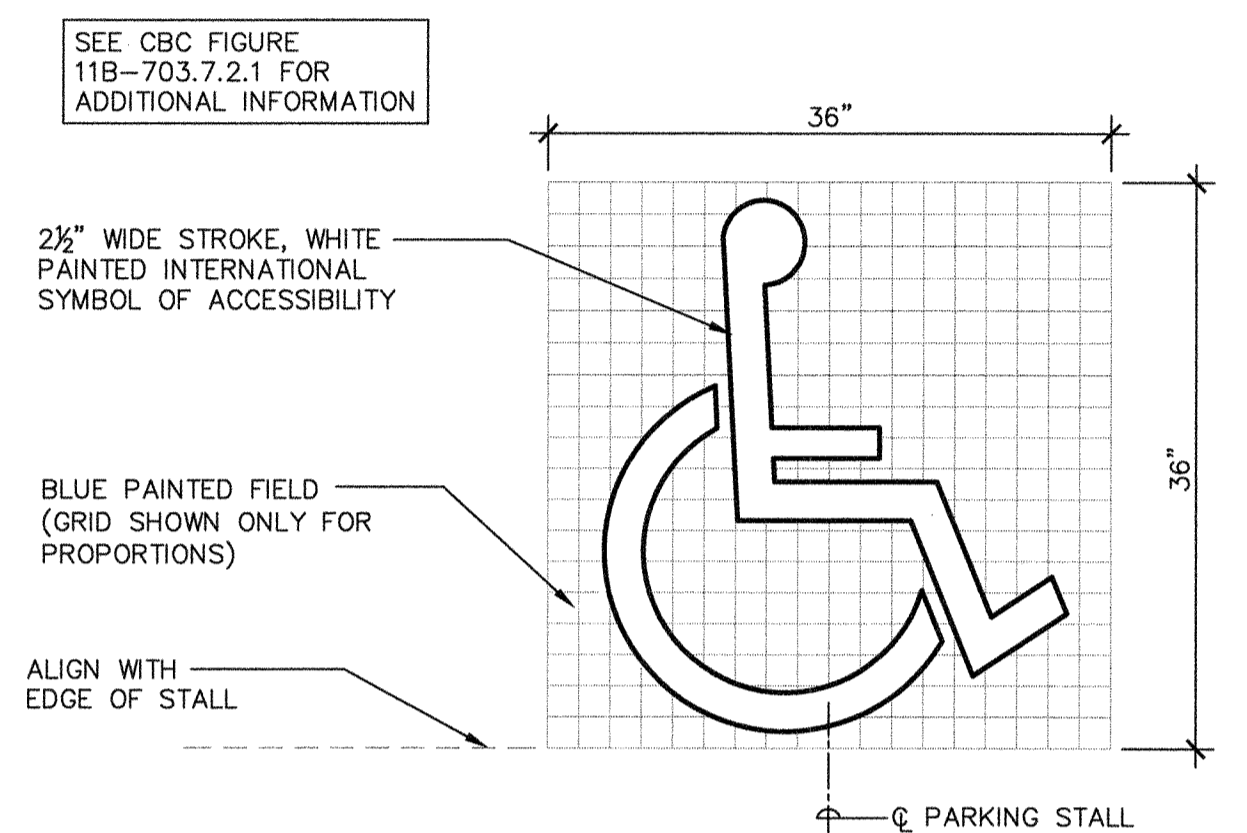


13 CHAINLINK FENCE AND GATE
A1.03 ADY100-01 SCALE: 3/8" = 1'-0"

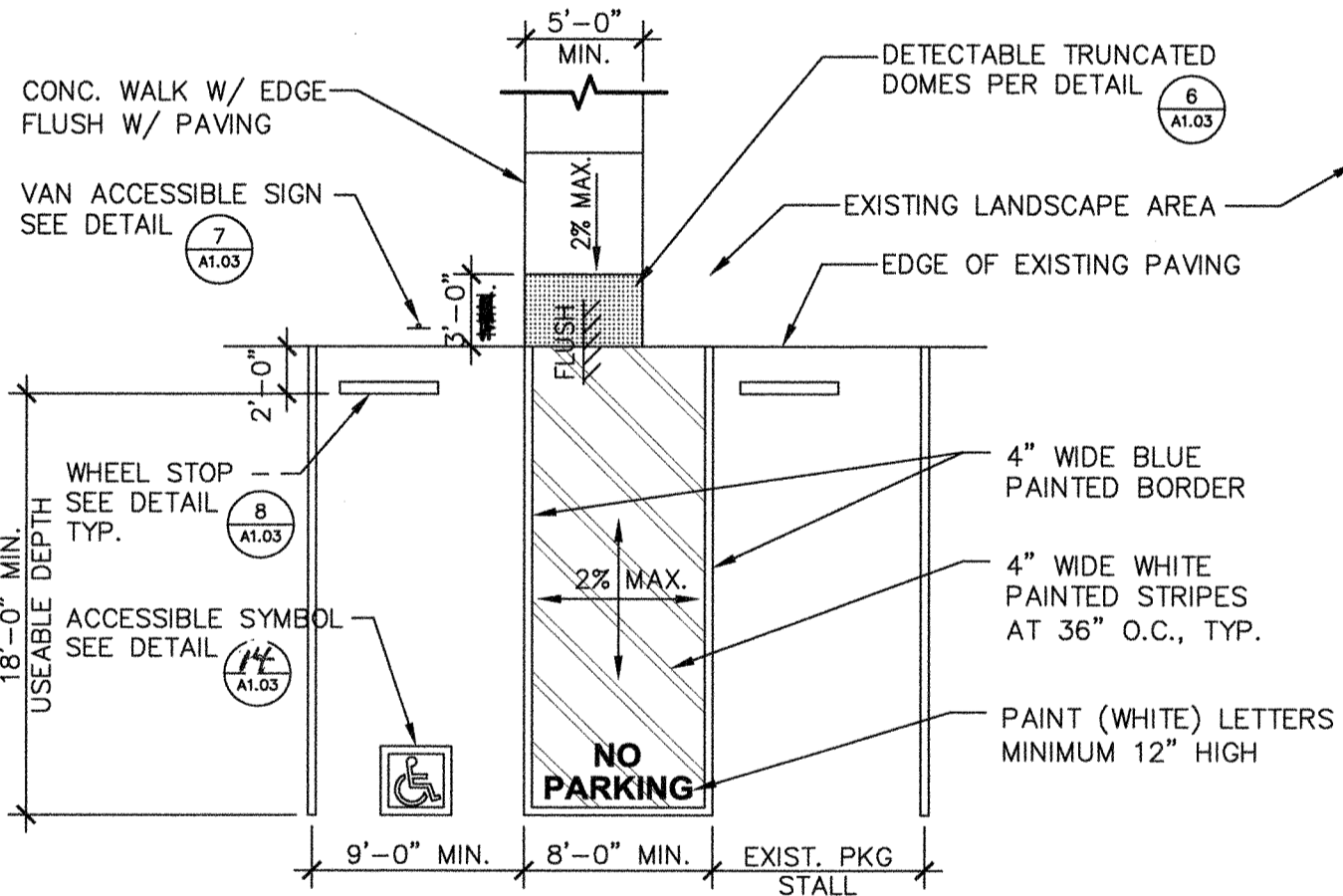
TYPICAL FENCE & GATE KEYNOTES

- 1 4" O.D. GALVANIZED STEEL GATE POST (9.1 lb/ft)
- 2 7/8" O.D. GALVANIZED STEEL END OR CORNER POST (5.79 lb/ft)
- 3 2" O.D. GALVANIZED STEEL GATE FRAME (2.72 lb/ft)
- 4 1 5/8" O.D. GALVANIZED STEEL TOP RAIL (2.27 lb/ft) & BRACE RAIL, WHERE OCCURS.
- 5 2"x2" MESH x 9 GAUGE GALVANIZED FENCE FABRIC WITH KNUCKLED TOP AND BOTTOM SELVAGE. FENCE FABRIC TO BE GALVANIZED BEFORE WEAVING (GBW)
- 6 1/4"x3/4" GALVANIZED STEEL STRETCHER BAR
- 7 GALVANIZED STEEL STRETCHER BAR TENSION BAND, MIN. OF 6 TENSION BANDS
- 8 9 GAUGE (0.148" DIA.) GALVANIZED STEEL TIE WIRES OR HOG RINGS AT 15" MAX. SPACING, MIN. 8 TIE WIRES PER EACH 10" HORIZONTAL RAIL
- 9 GALVANIZED ADJUSTABLE TURNBUCKLE FOR 3/8" DIA. TRUSS ROD
- 10 3/8" DIA. GALVANIZED STEEL ADJUSTABLE TRUSS ROD. TRUSS RODS REQUIRED FOR ALL GATE POST PANELS AND END OR CORNER POST PANELS
- 11 3/8"x6" GALVANIZED HOOK BOLT WITH NUT IMBEDDED IN MIDWAY BETWEEN POSTS
- 12 7 GAUGE (0.177" DIA.) GALVANIZED STEEL TENSION WIRE
- 13 RAINPROOF CAP
- 14 LOCKING HASP
- 15 180° GATE HINGE, TYP
- 16 12"Ø CONCRETE POST FOOTING (TYP.)
- 17 TRIM, LEVER HANDLE & RIM CYLINDER LOCK PER DISTRICT STANDARD
- 18 16ga GATE GUARD
- 19 10" HIGH x GATE WIDTH, 16 ga POWDER-COATED METAL KICK PLATE, TYP BOTH SIDES OF GATE.

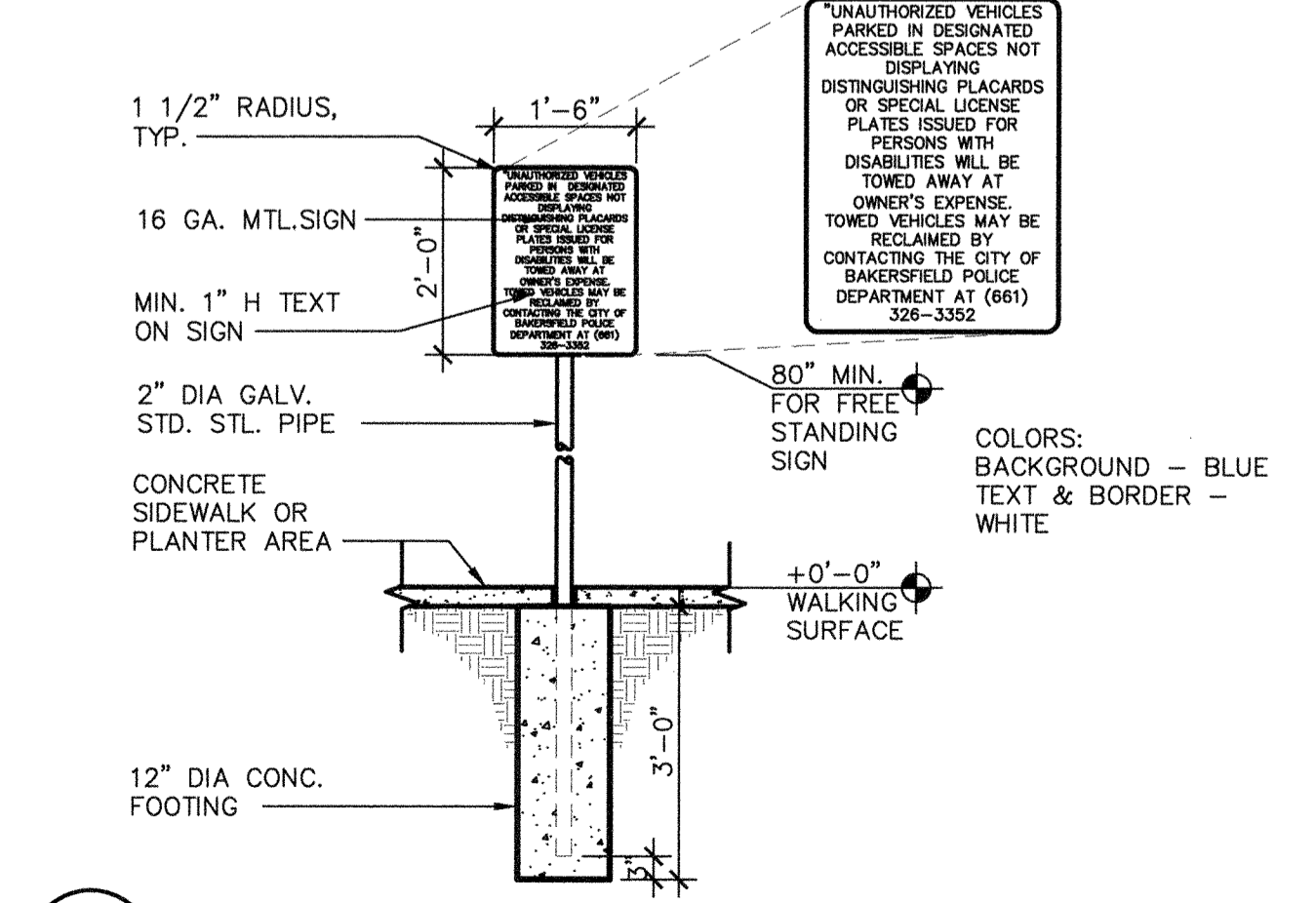
SCALE: N.T.S.



14 TYPICAL ACCESSIBLE PARKING STALL SYMBOL
A1.03 ADA100-03 SCALE: 1" = 1'-0"



15 VAN ACCESSIBLE SINGLE PARKING STALL
A1.03 ADA100-13S SCALE: 1/8" = 1'-0"

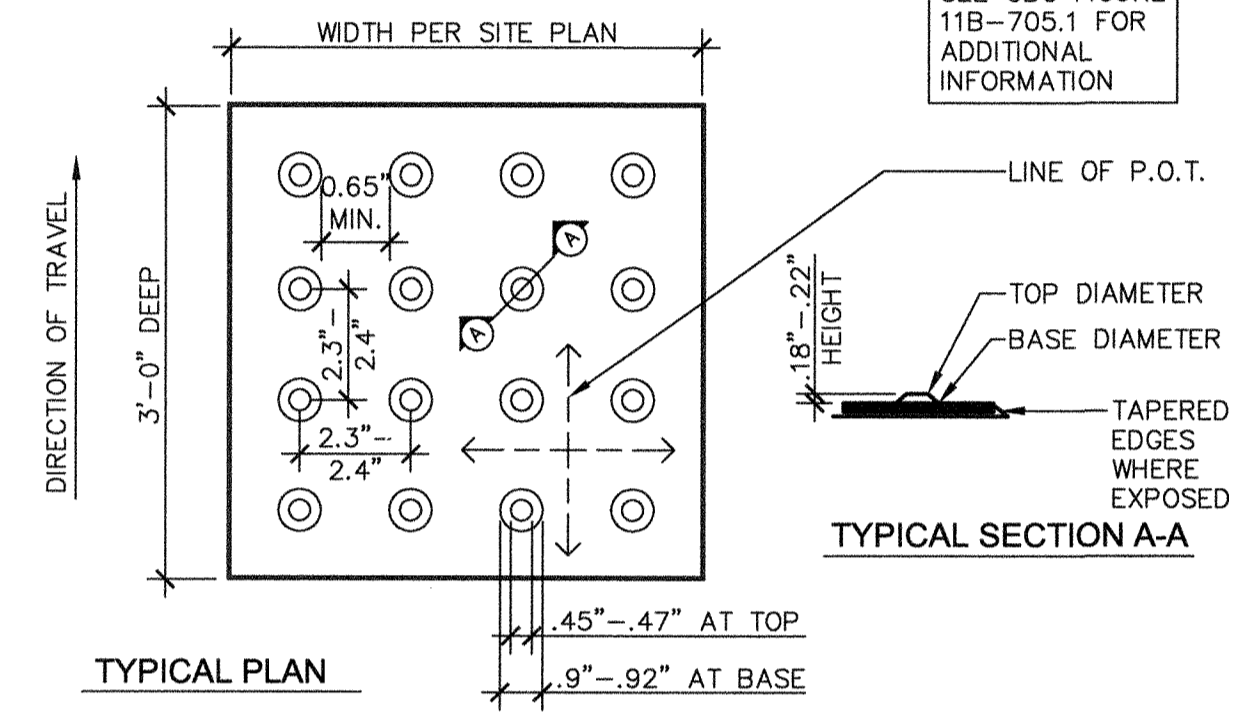


16 TOW AWAY SIGNAGE
A1.03 ADX100-10 SCALE: 1/2" = 1'-0"

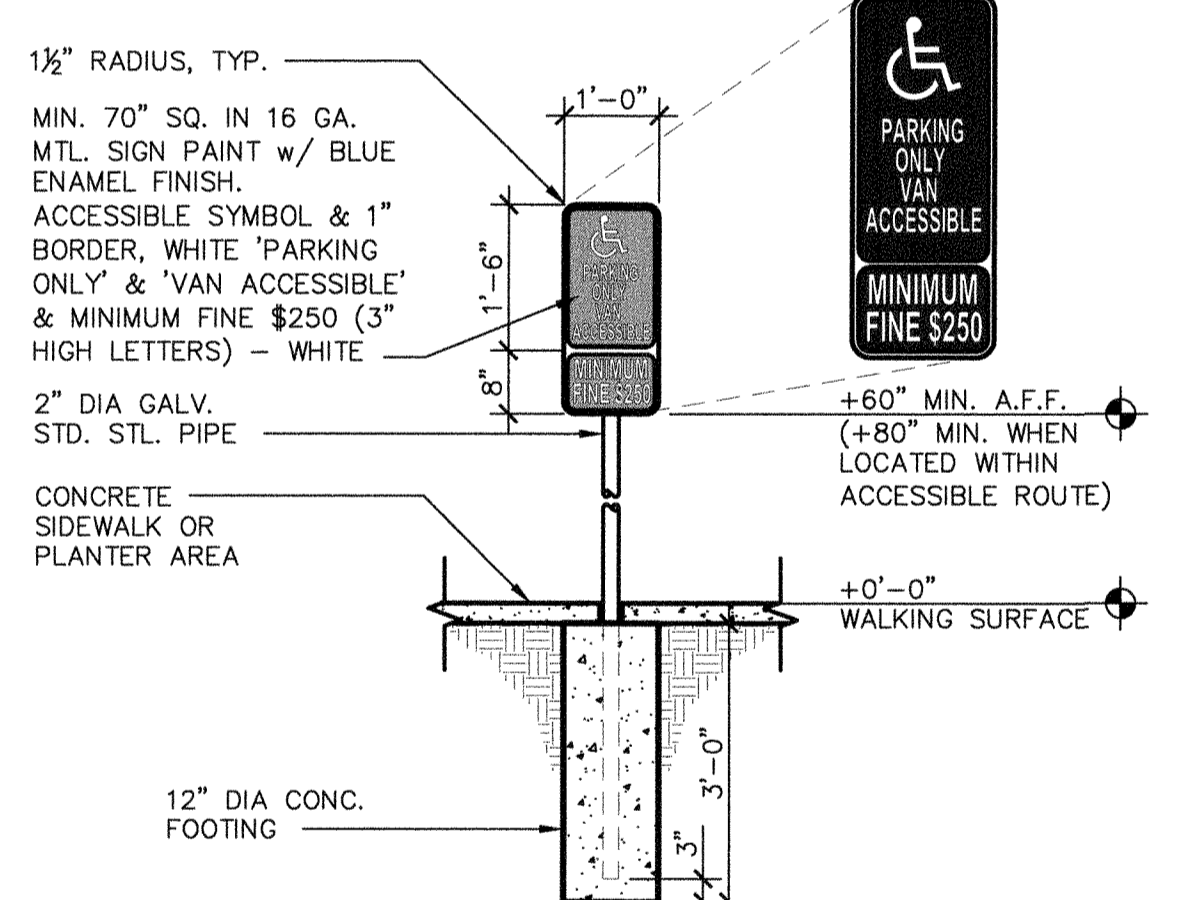


SIGNAGE TO COMPLY WITH CBC 11B-216.3, 11B-703.5

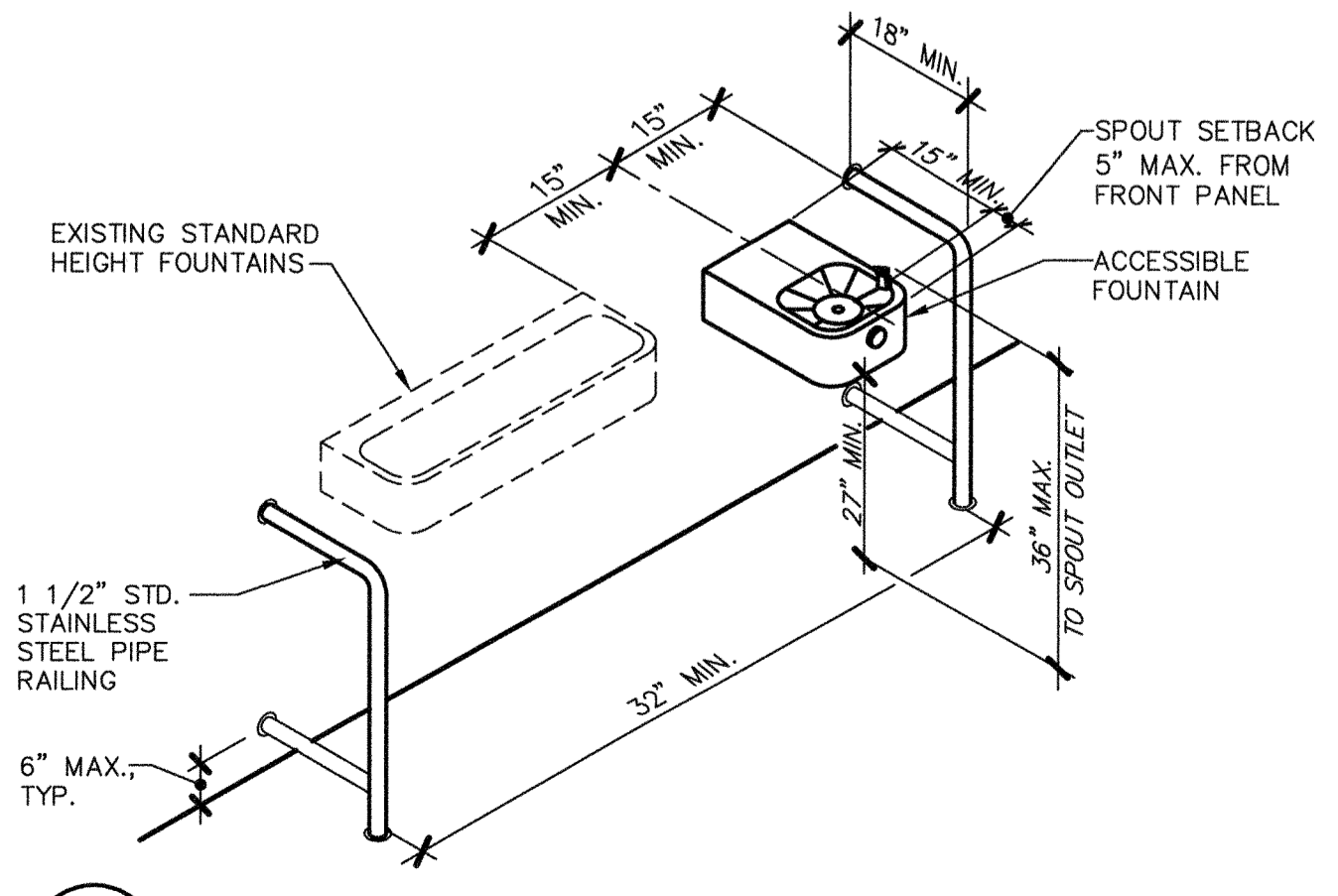
- NOTES:
- SIGNS TO BE CONSTRUCTED FROM 16 GA. METAL, PAINTED WITH BLUE ENAMEL FINISH WITH ISA SYMBOL, TEXT AND DIRECTIONAL ARROW IN A CONTRASTING COLOR
 - WHERE APPLICABLE, ATTACH SIGNS TO 2"Ø GALV. STL. PIPE WITH TAMPER RESISTANT HARDWARE



6 TRUNCATED DOMES
A1.03 ADA100-23 SCALE: NO SCALE



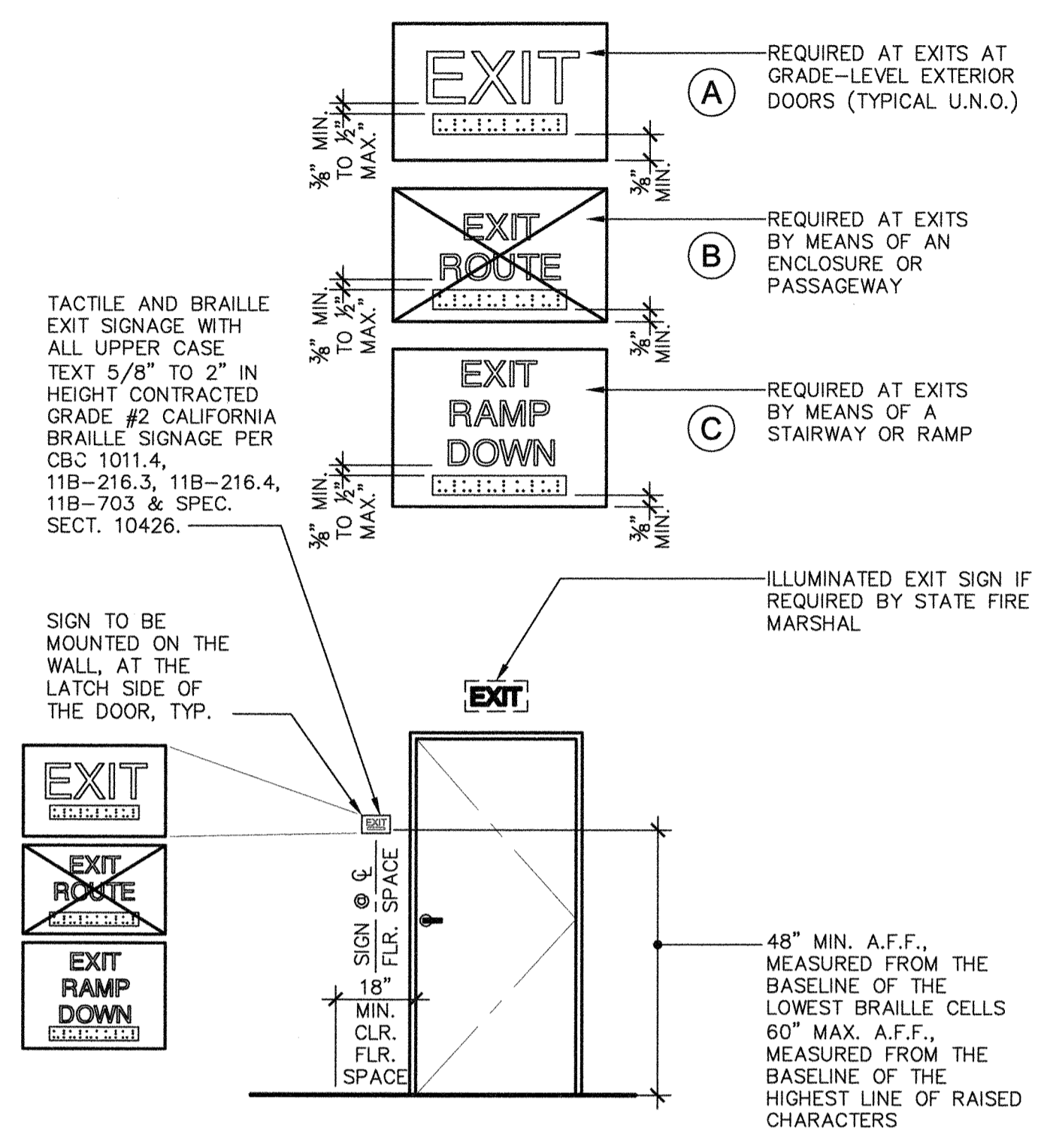
7 VAN ACCESSIBLE PARKING SIGNAGE
A1.03 ADA100-30 SCALE: 1/2" = 1'-0"



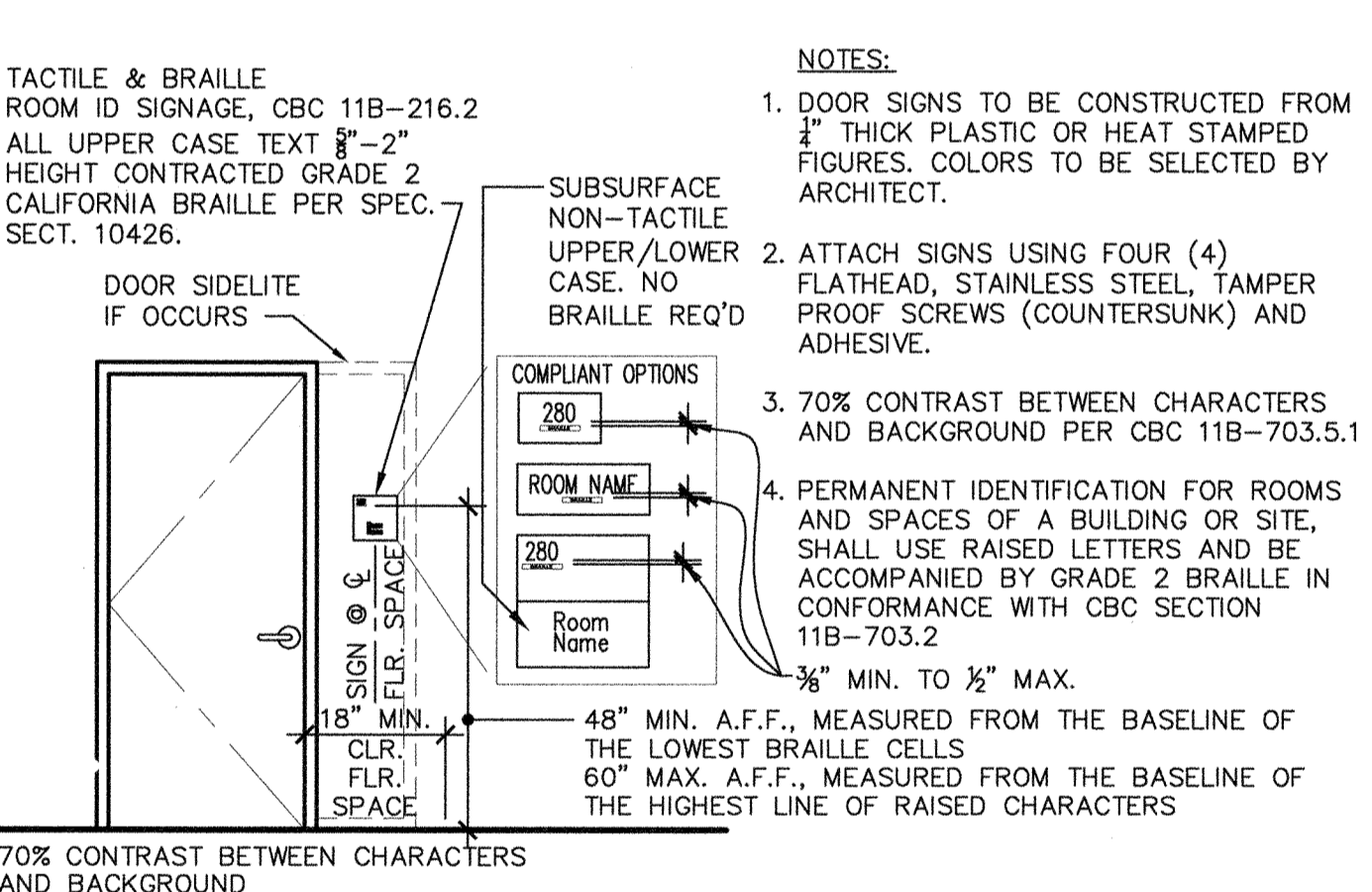
12 DRINKING FOUNTAINS AT BUILDING I
A1.03 ADA000-12A SCALE: 1" = 1'-0"

8 WHEEL STOP
A1.03 ADS100-31 SCALE: 1 1/2" = 1'-0"

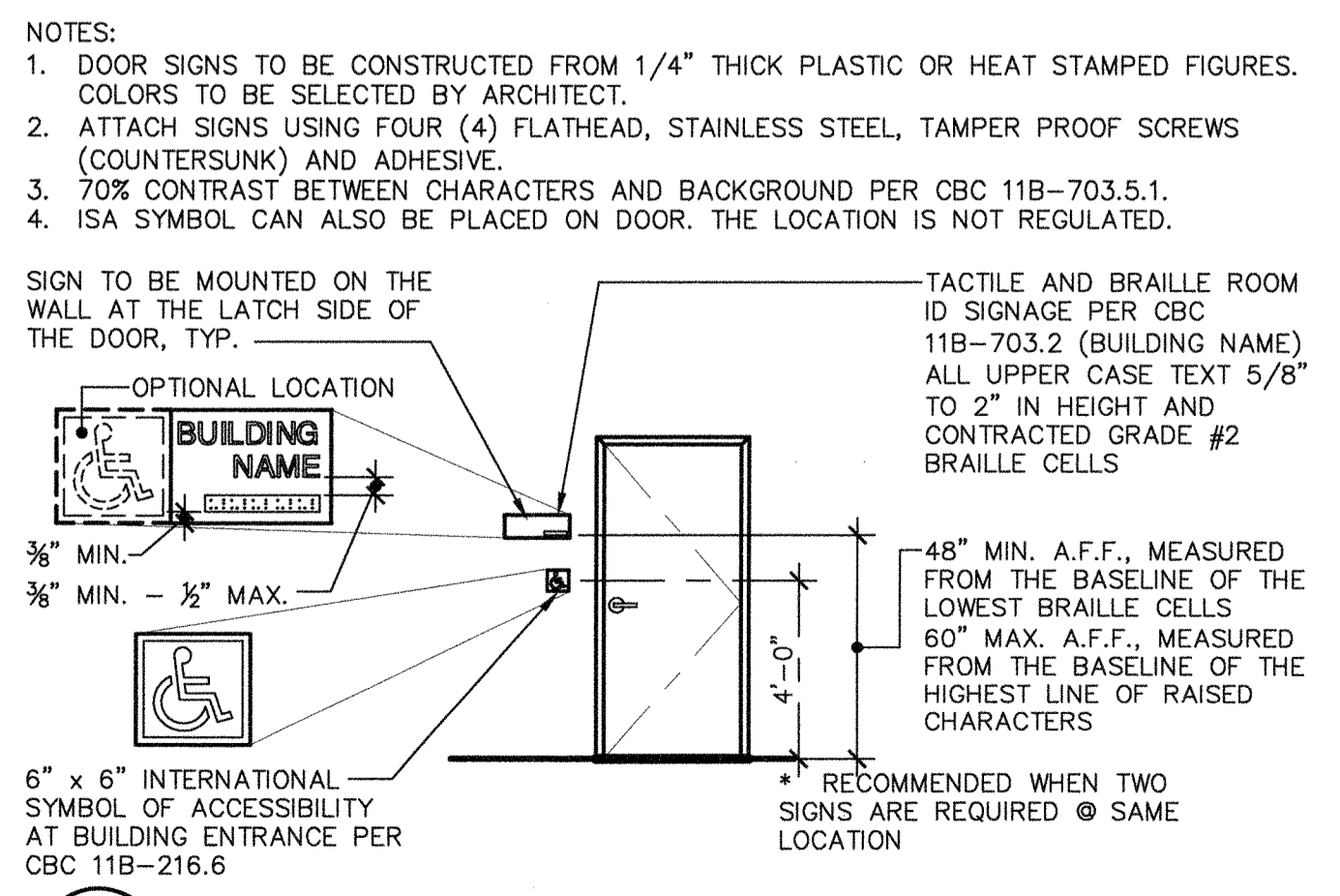
- NOTES:
- DOOR SIGNS TO BE CONSTRUCTED FROM 1/4" THICK PLASTIC OR HEAT STAMPED FIGURES. COLORS TO BE SELECTED BY ARCHITECT.
 - ATTACH SIGNS USING FOUR (4) FLATHEAD, STAINLESS STEEL, TAMPER PROOF SCREWS, (COUNTERSUNK) AND ADHESIVE.
 - 70% CONTRAST BETWEEN CHARACTERS AND BACKGROUND



2 TYPICAL EXTERIOR DOOR SIGNAGE
A1.03 ADX200-01 SCALE: 3/8" = 1'-0"



3 ROOM ID SIGNAGE
A1.03 ADX100-01 SCALE: NO SCALE



4 BUILDING ENTRANCE/I.S.A. SIGNAGE
A1.03 ADA100-01 SCALE: 1/4" = 1'-0"

Ownership of Documents
This document, the ideas and designs incorporated herein, as an instrument of Professional Service is the property of Integrated Designs by SOMAM Inc. and is not to be used, in whole or in part for any other project without written authorization. © COPYRIGHT 2015

integrated designs by SOMAM, Inc.
ARCHITECTURE - INTERIOR DESIGN - CONSTRUCTION MANAGEMENT
6011 N. Fresno, Suite 130 - Fresno, California 93710
Phone (559) 438-0887 Fax (559) 438-0887 E-Mail: design@somam.com

Rev. No.	Rev. Date	Rev. Description

SITE DETAILS

Project Name & Address:
4 RELOCATABLE CLASSROOMS
FRANKLIN ELEMENTARY SCHOOL
BAKERSFIELD CITY SCHOOL DISTRICT
2400 TRUXTUN AVENUE BAKERSFIELD, CA 93301

Sheet Title:
10/31/14
Issue Date:
05/06/16
Date:
Designer:
DR:
PC: C/JH

Agency Approval Stamp:

IDENTIFICATION STAMP
DIV. OF THE STATE ARCHITECT
17036
DATE: 05/06/16
NAME: [Signature]

Stamp(s):

LICENSED ARCHITECT
COURTNEY E. FLYNN
No. C 28966
STATE OF CALIFORNIA

Job No.: **5142**

Sheet No.: **A1.03**

Release: -