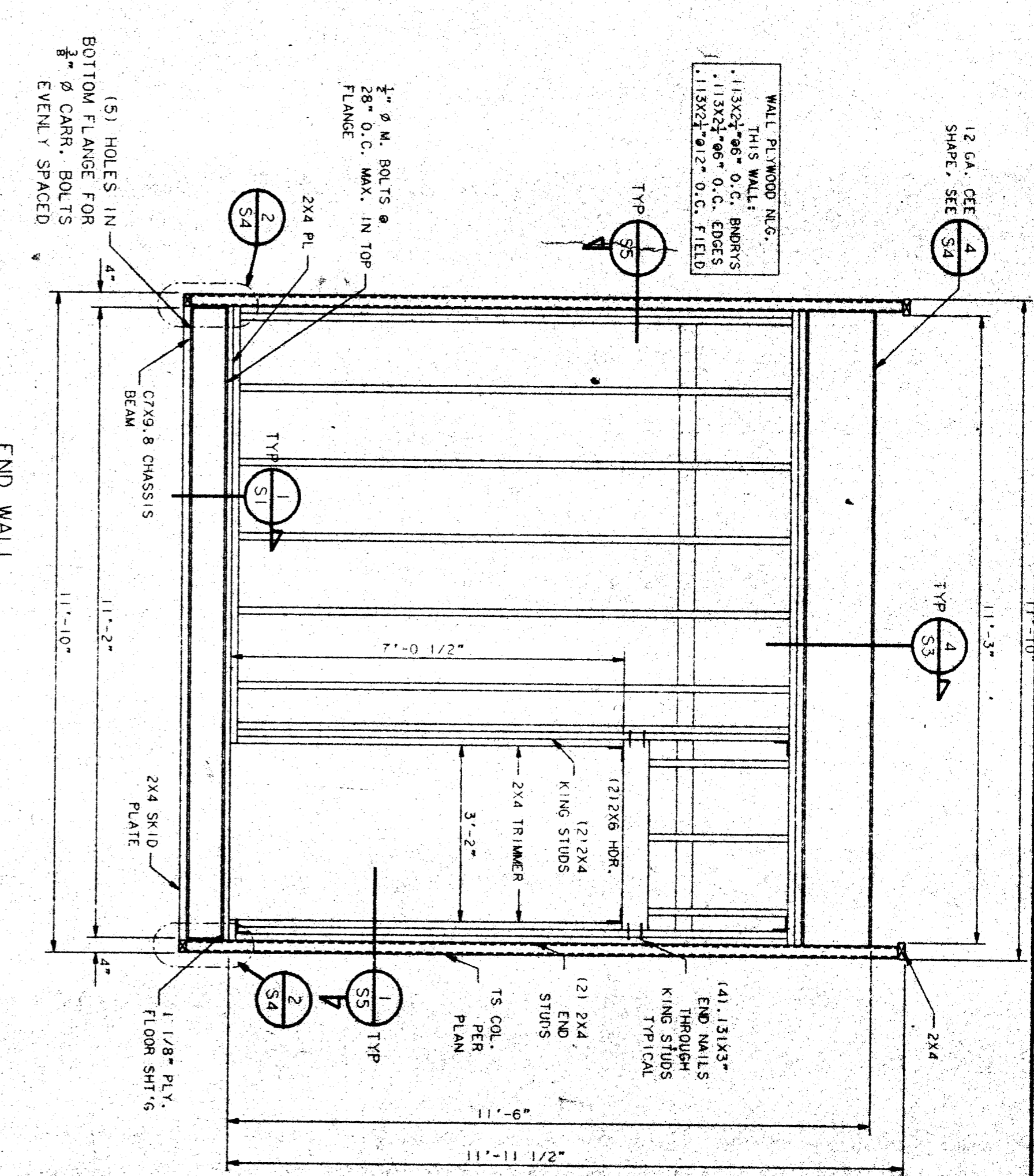
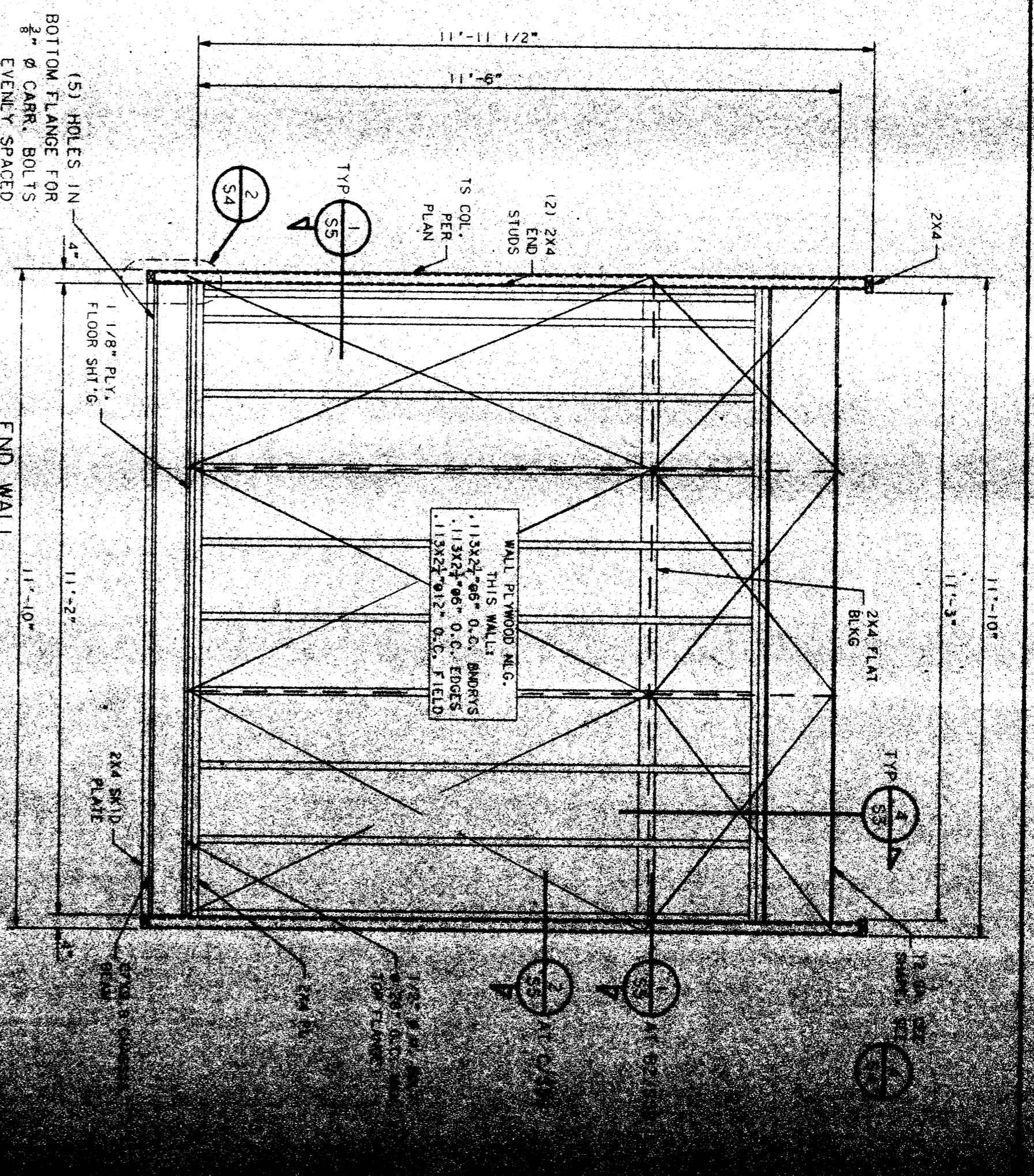


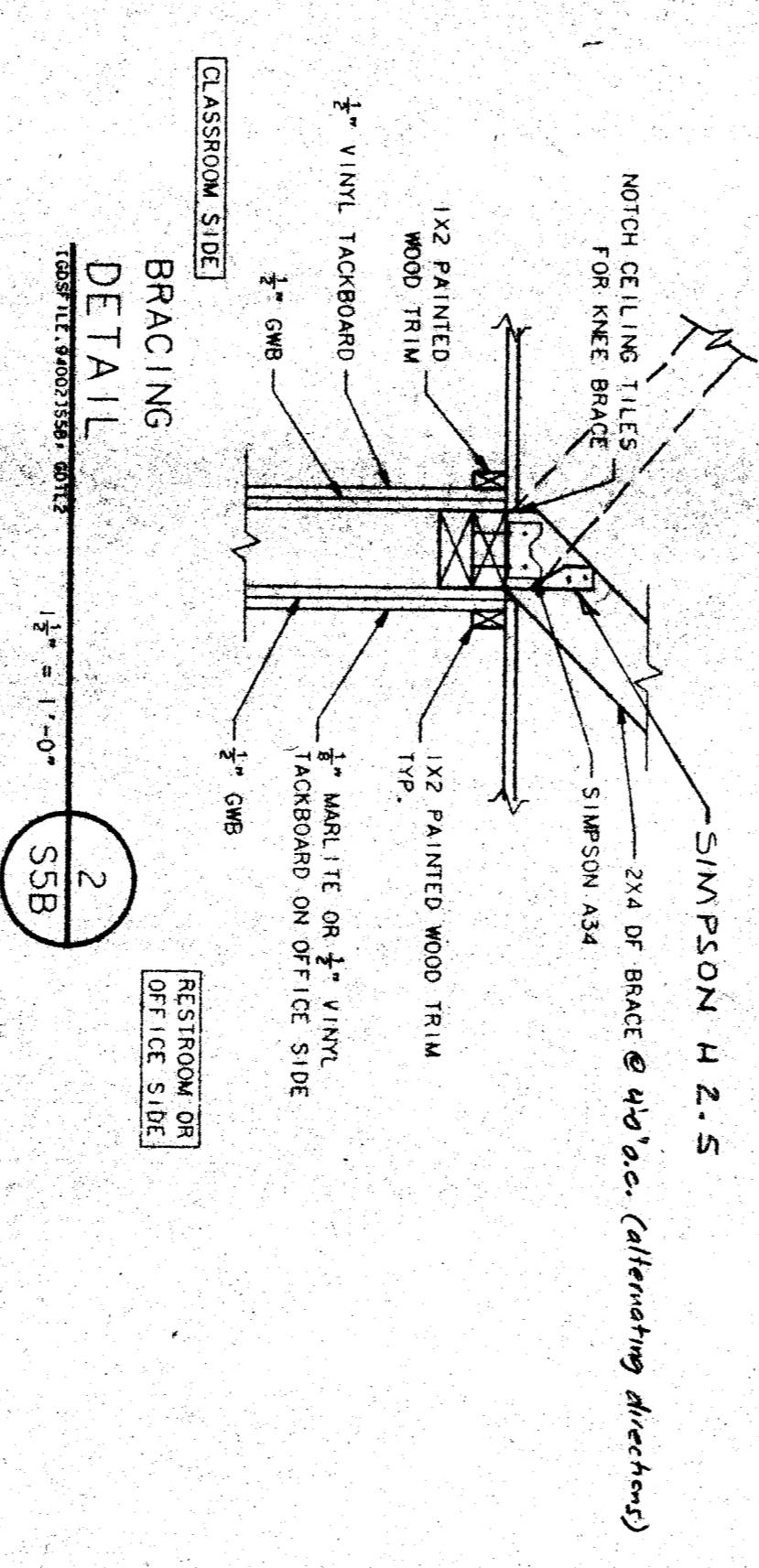
END WALL ELEVATION  
NO SCALE  
A



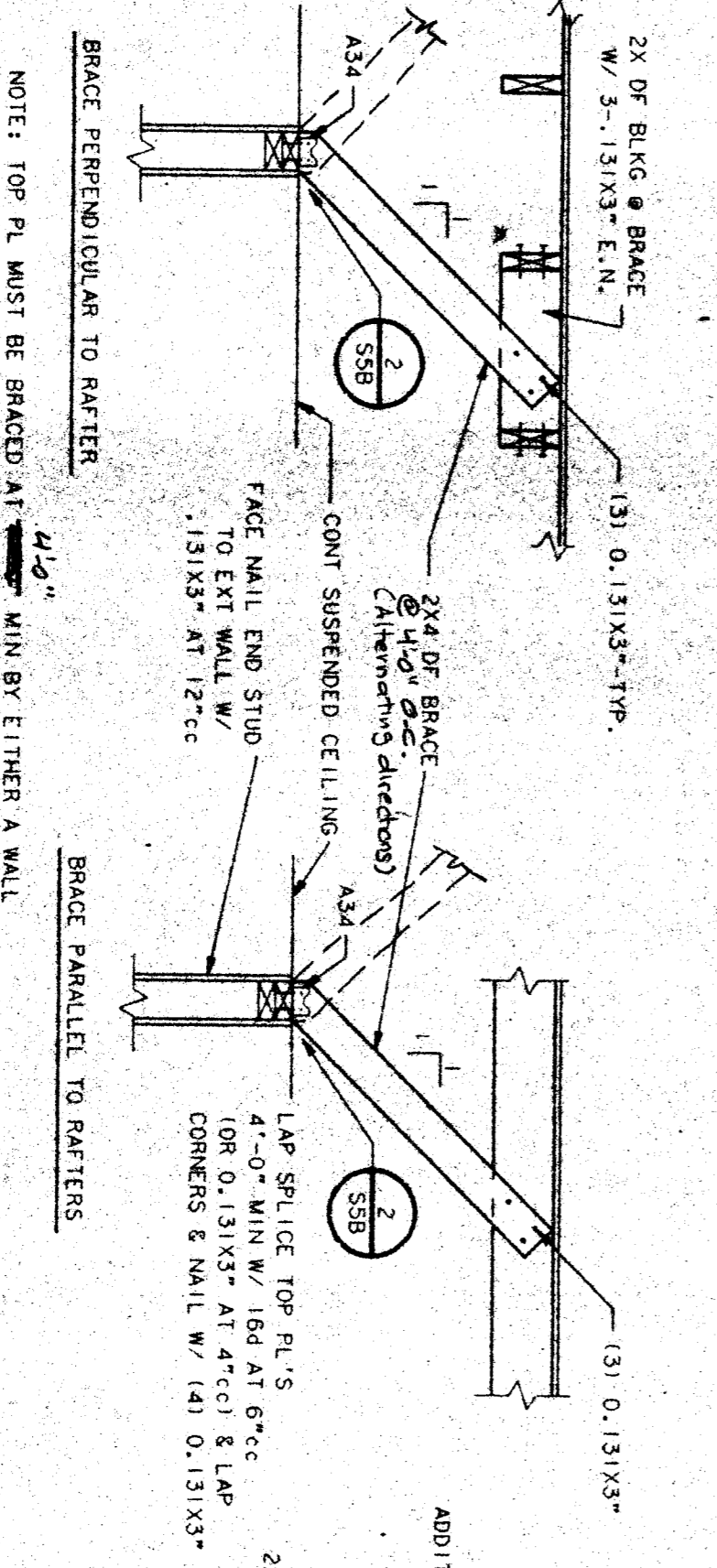
END WALL ELEVATION  
NO SCALE  
B



END WALL ELEVATION  
NO SCALE  
B2



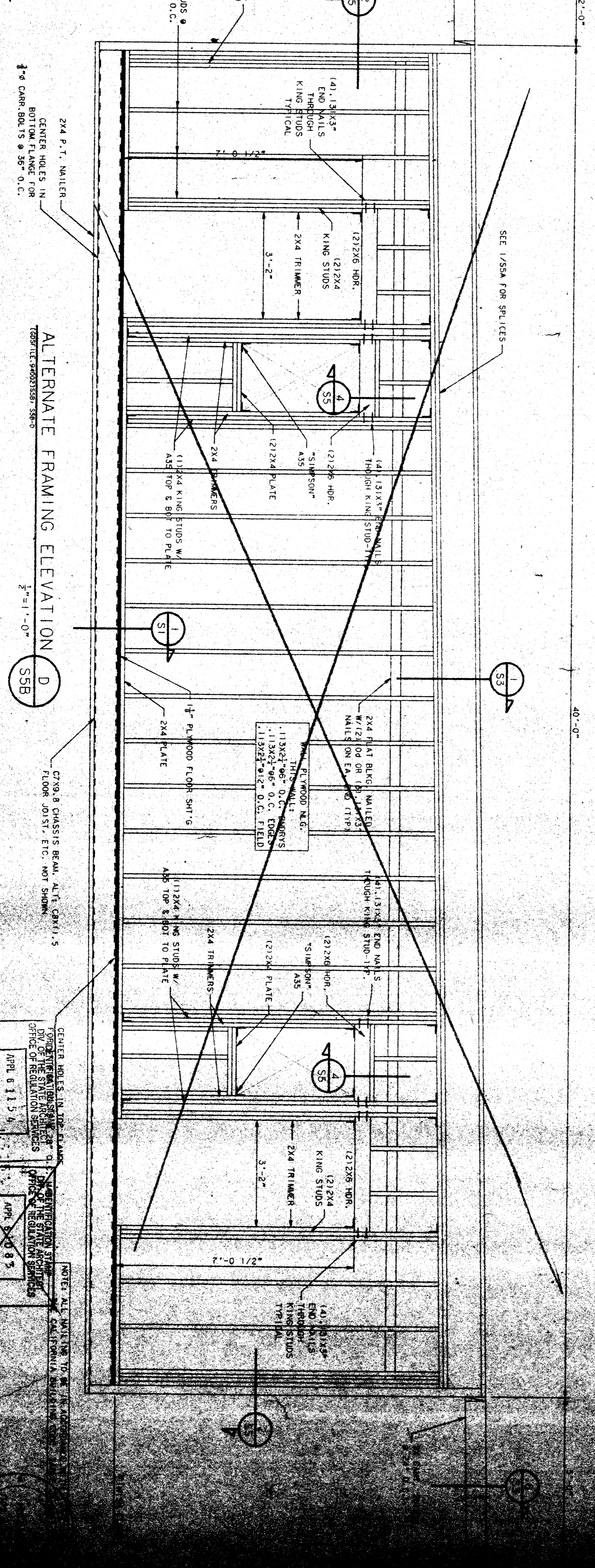
BRACING DETAIL  
NO SCALE  
2



BRACING DETAIL  
NO SCALE  
1

NOTE: TOP PL MUST BE BRACED AT MIN BY EITHER A WALL INTERSECTING IT OR WITH A 2x4 BRACE TO THE RAFTERS.  
BRACE PERPENDICULAR TO RAFTER  
BRACE PARALLEL TO RAFTERS

INTERIOR NON-BRG. WALL BRACING  
NO SCALE  
1



ALTERNATE FRAMING ELEVATION  
NO SCALE  
D

36 X 40 RELOCATABLE CLASSROOM



CUSTOMER: KCECO - HEADSTART PROGRAM  
VARIOUS SCHOOL SITES  
36 X 40 RIGID FRAME

DATE: 1-1-8  
DRAWN BY: ML  
CHECKED BY: ML

NO.	DATE	DESCRIPTION	BY	DATE
1	FEB 25 1984	REVISED	ML	
2	FEB 25 1984	REVISED	ML	

NOTE: ALL WORKING DRAWINGS SHALL BE APPROVED BY THE STATE ENGINEER'S OFFICE OF REGULATION SERVICES.  
APR 8 11 57 AM  
APR 8 11 57 AM  
APR 8 11 57 AM