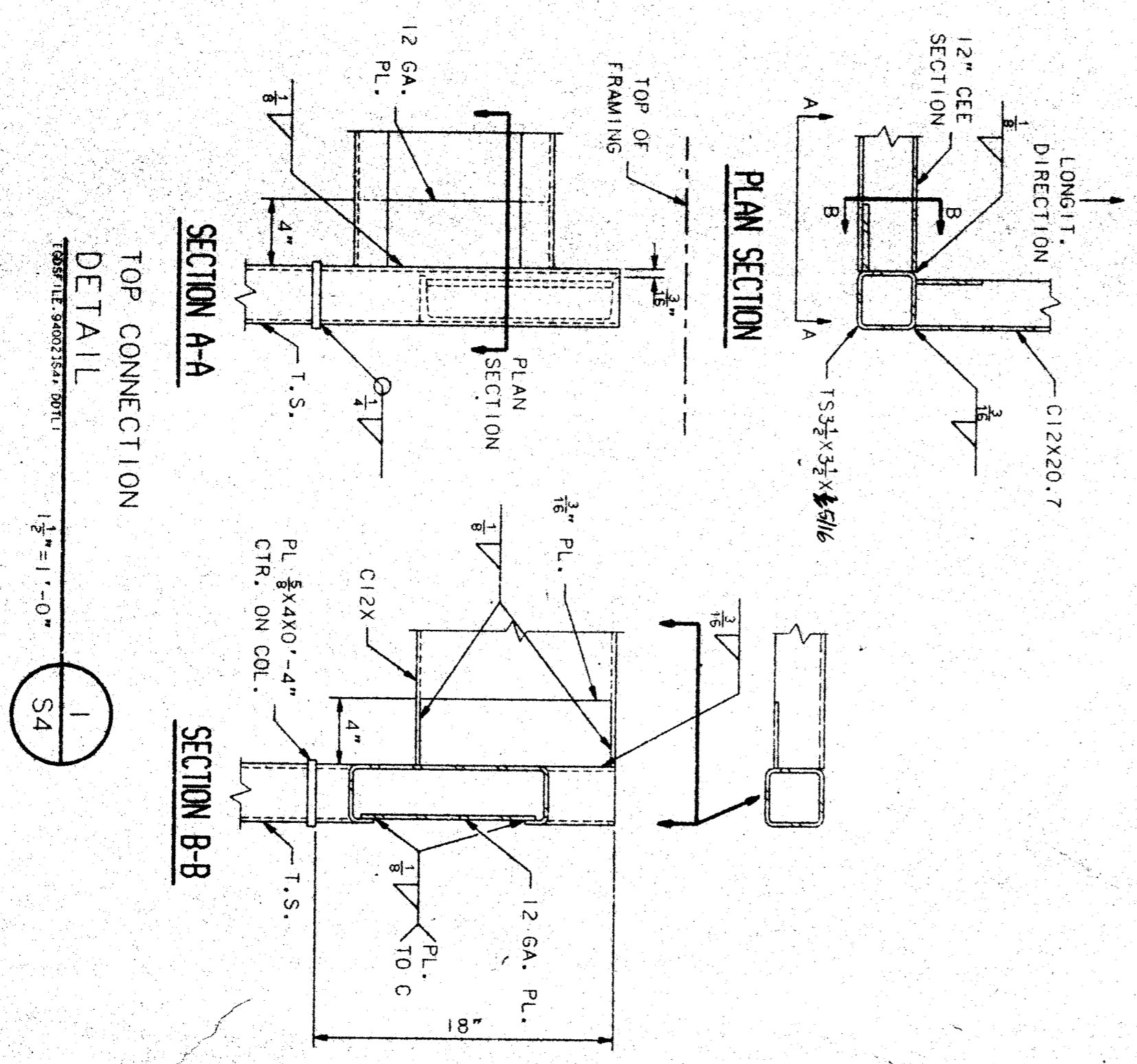
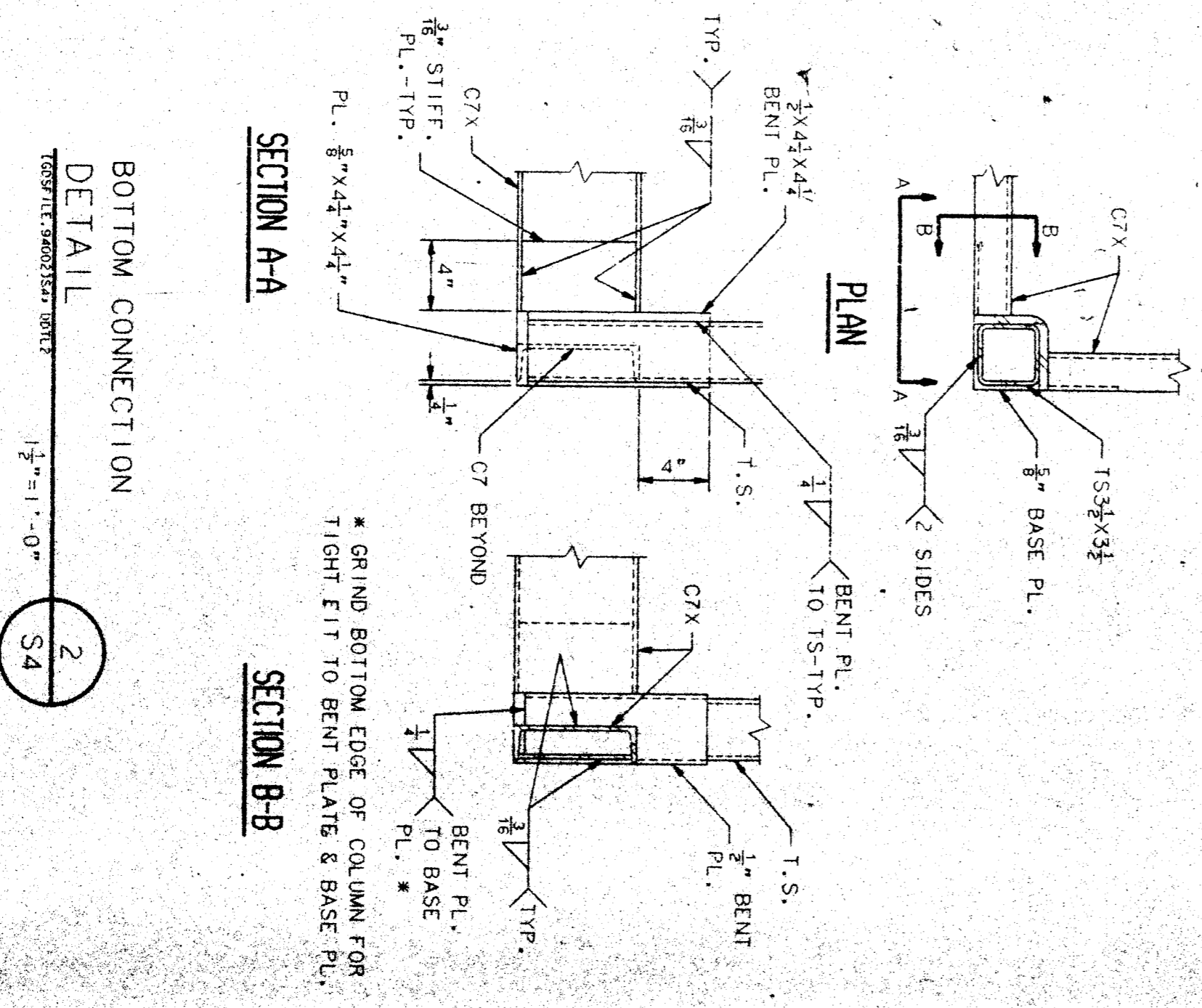


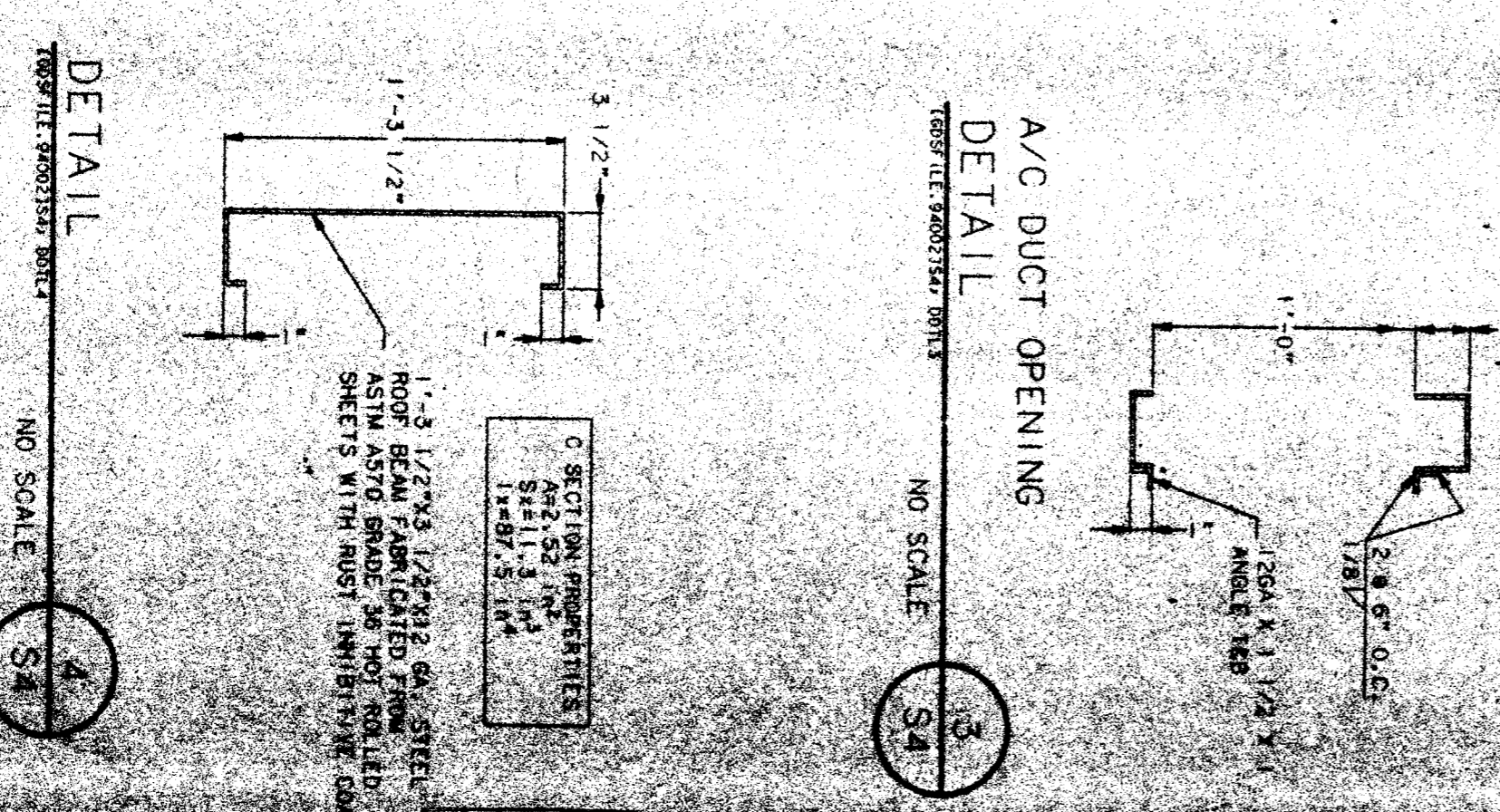
FRAMING ELEVATION A  
 1/2" = 1'-0"



PLAN SECTION  
 1 1/2" = 1'-0"



SECTION A-A  
 1 1/2" = 1'-0"



A/C DUCT OPENING DETAIL  
 NO SCALE



REVISIONS

NO.	DATE	DESIGN PORTION	BY	DATE	DESCRIPTION
1					
2					
3					
4					

36 X 40  
 RELOCATABLE  
 CLASSROOM



CUSTOMER: KCCDC - HEADSTART PROGRAM  
 VARIOUS SCHOOL SITES  
 36 X 40 RIGID FRAME

DATE: 1-7-81  
 SCALE: 1/2" = 1'-0"  
 DRAWN BY: JAL  
 CHECKED BY: JAL  
 SERIAL NO.:

FRAMING ELEVATION AND DETAILS

NO.	DATE	DESIGN PORTION	BY	DATE	DESCRIPTION
1					
2					
3					
4					