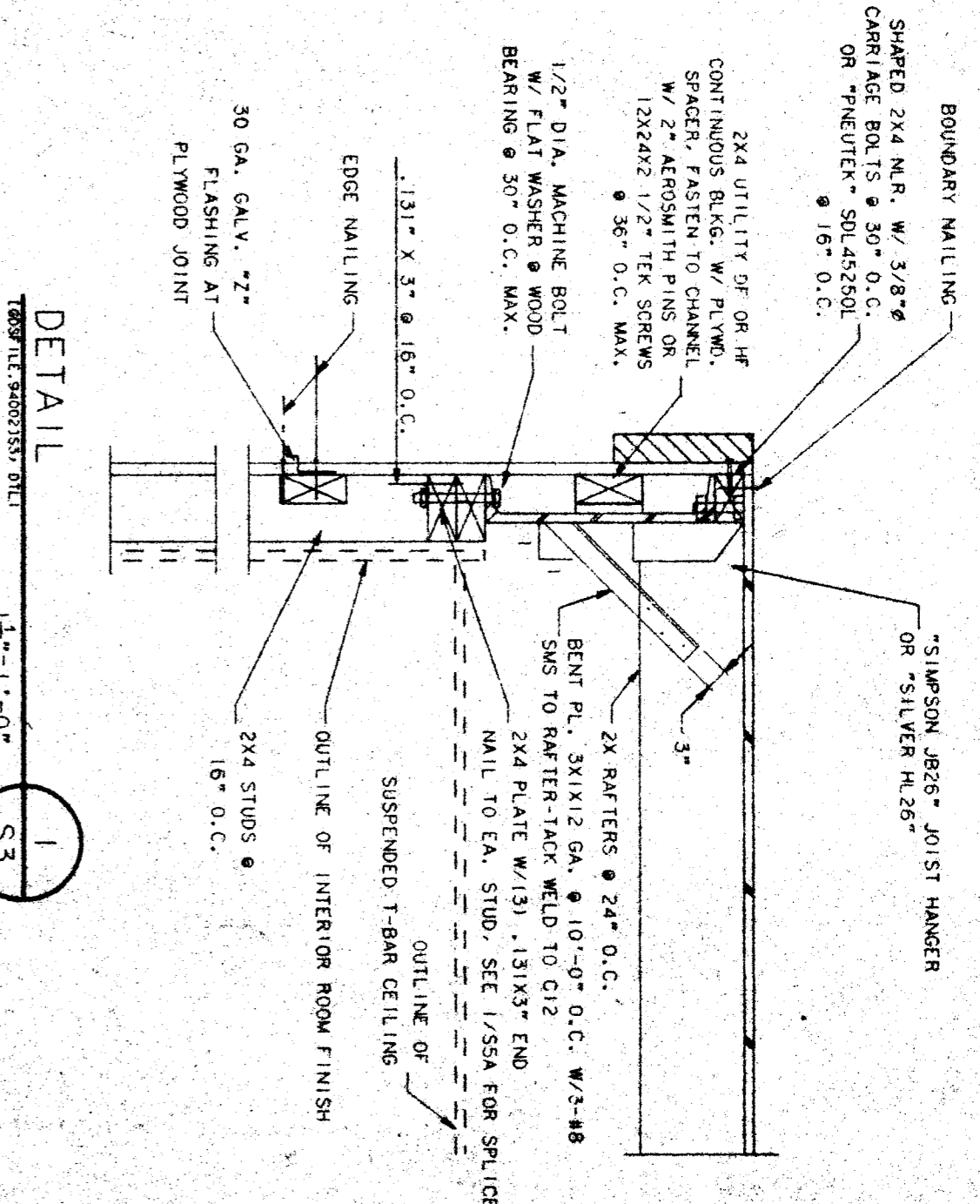
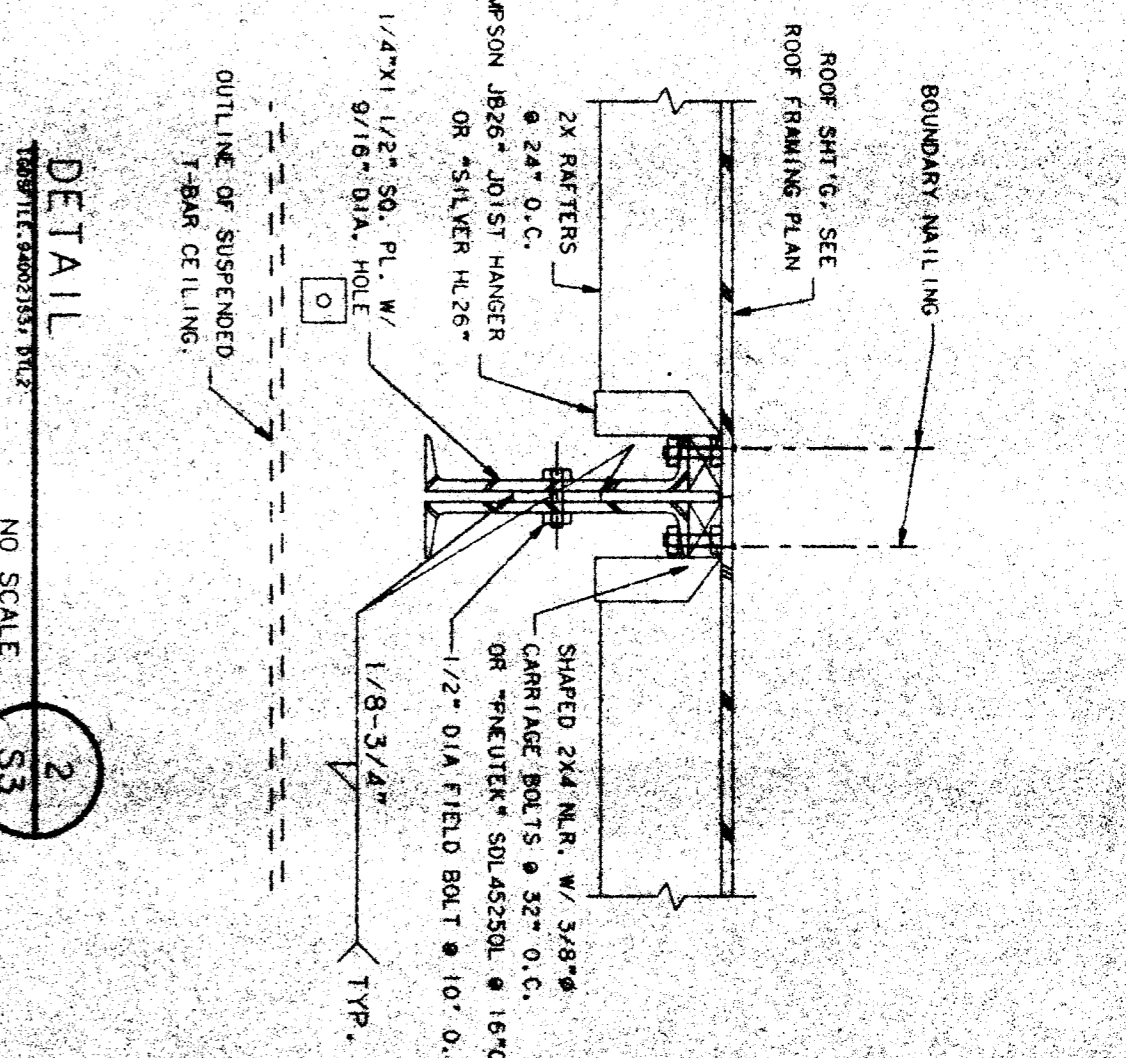


ROOF FRAMING PLAN
SCALE: 1/4"=1'-0"

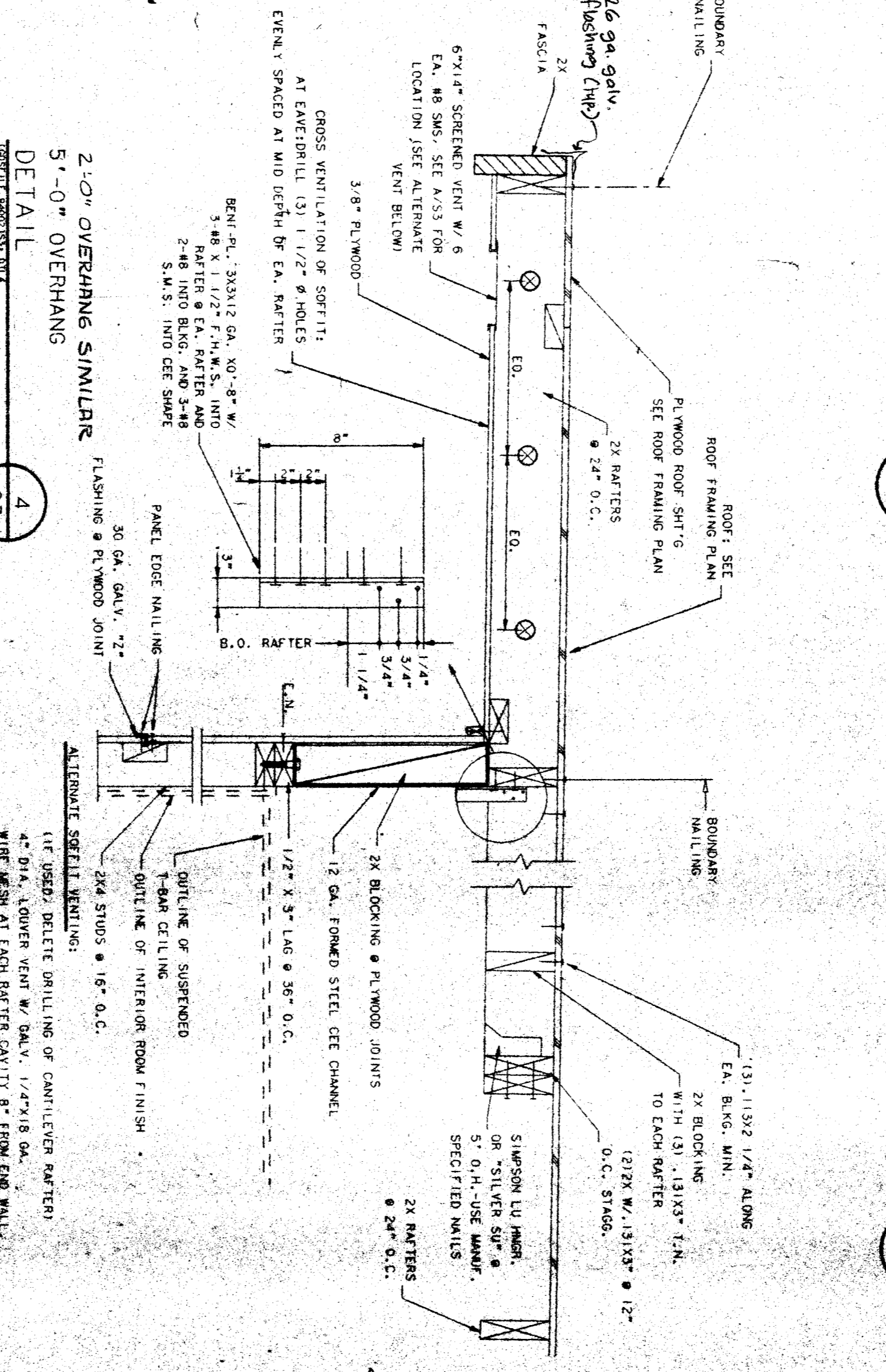
NOTE: FACE GRAIN OF PLYWOOD TO RUN P. TO SUPPORTS.
NOTE: REAR OVERHANG REDUCED TO 5\"/>



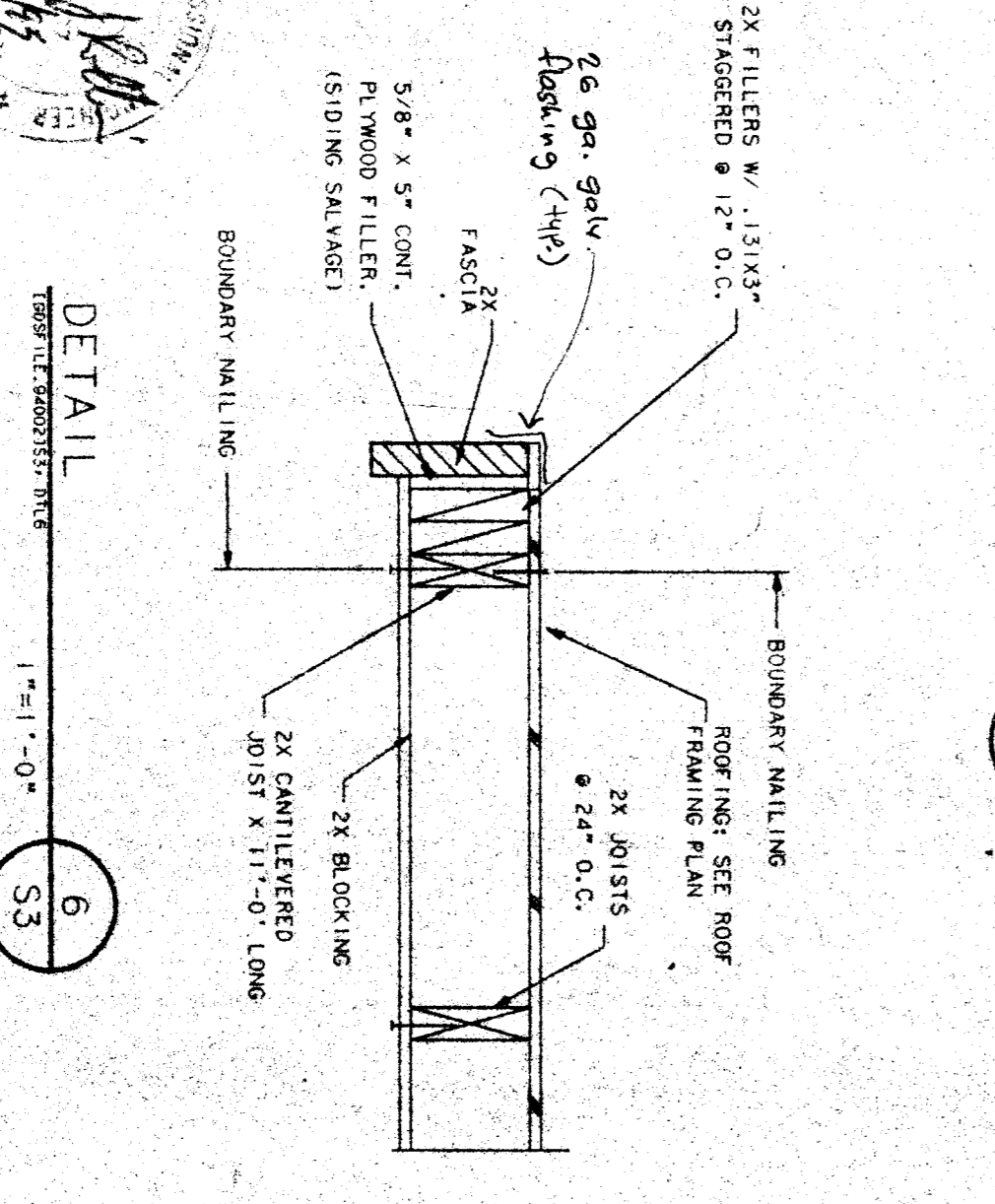
DETAIL 1
SCALE: NO SCALE



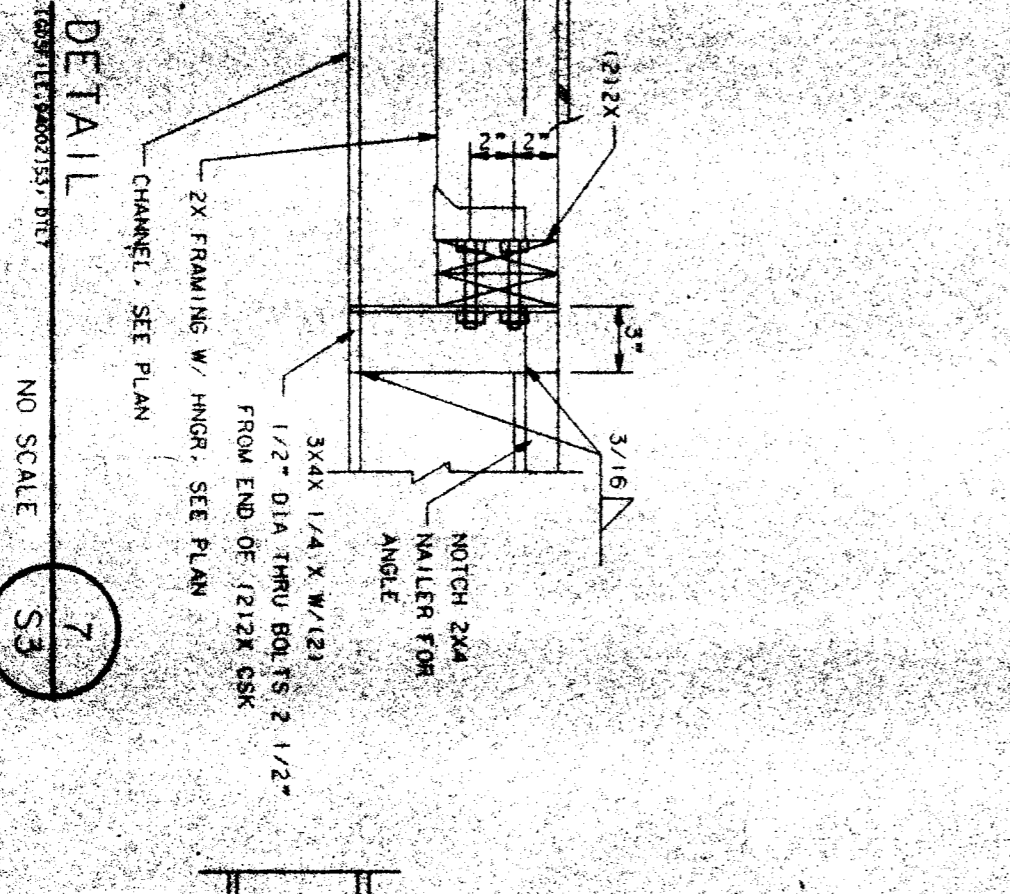
DETAIL 2
SCALE: NO SCALE



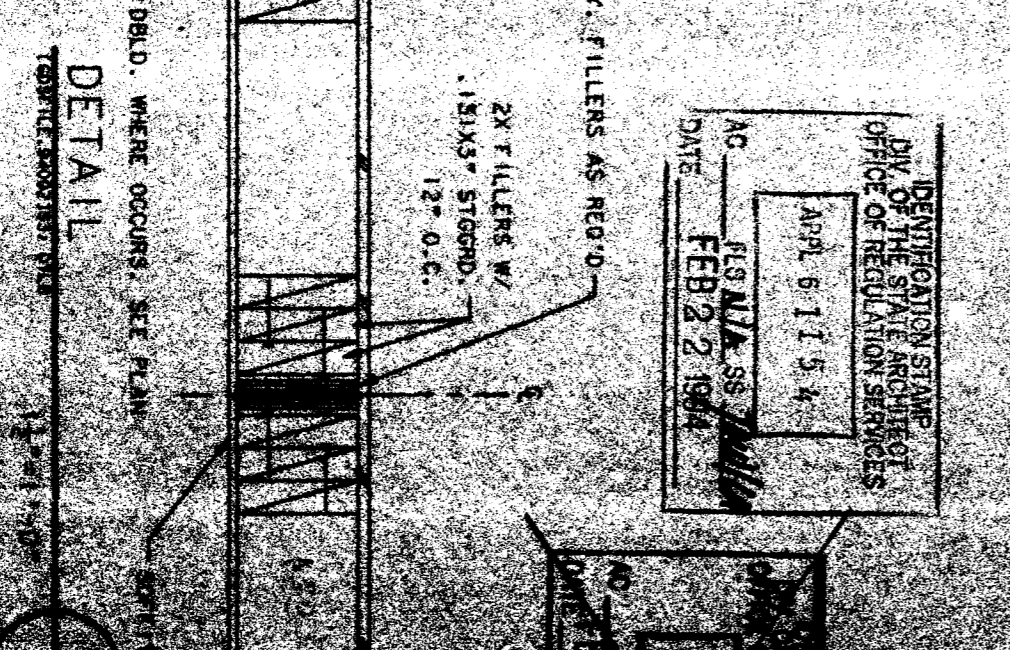
DETAIL 3
SCALE: NO SCALE



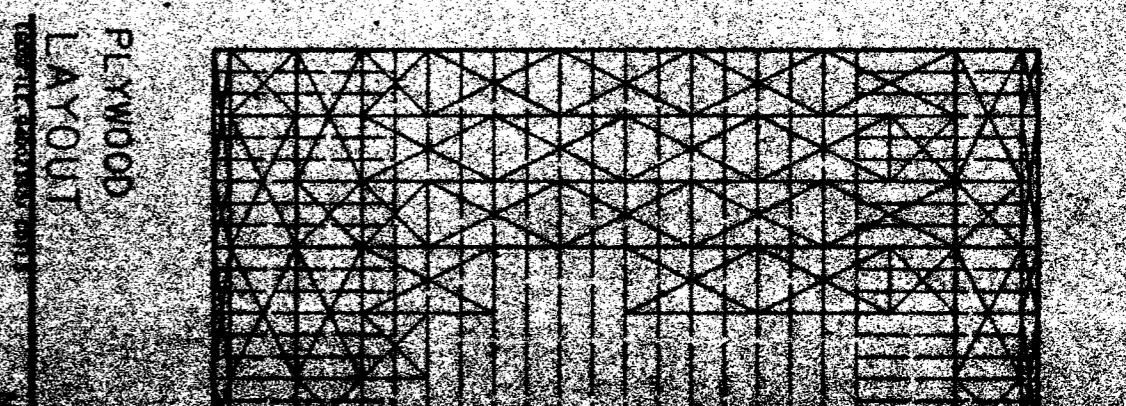
DETAIL 4
SCALE: NO SCALE



DETAIL 5
SCALE: NO SCALE



DETAIL 6
SCALE: NO SCALE



PLYWOOD LAYOUT

CUSTOMER:
KCEOC - HEADSTART PROGRAM
36 X 40 RIGID FRAME

Roof Framing Plan and Details
Cedar/Teak/Aluminum & Associates
Structural Engineers, Inc.
Sarasota, FL 34237
Tel: 941-552-2000

DATE: 7-2-91
SCALE: SEE PLAN
DESIGNED BY: JAL
CHECKED BY: JAL
SERIAL NO.:

NO.	DATE	DESCRIPTION	BY

REVISIONS

36 X 40
RELOCATABLE
CLASSROOM

American Modular Systems