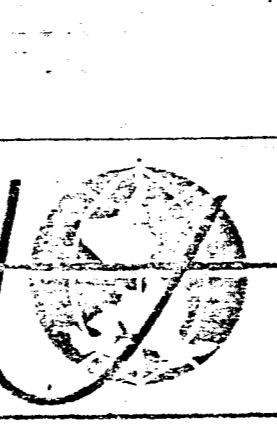


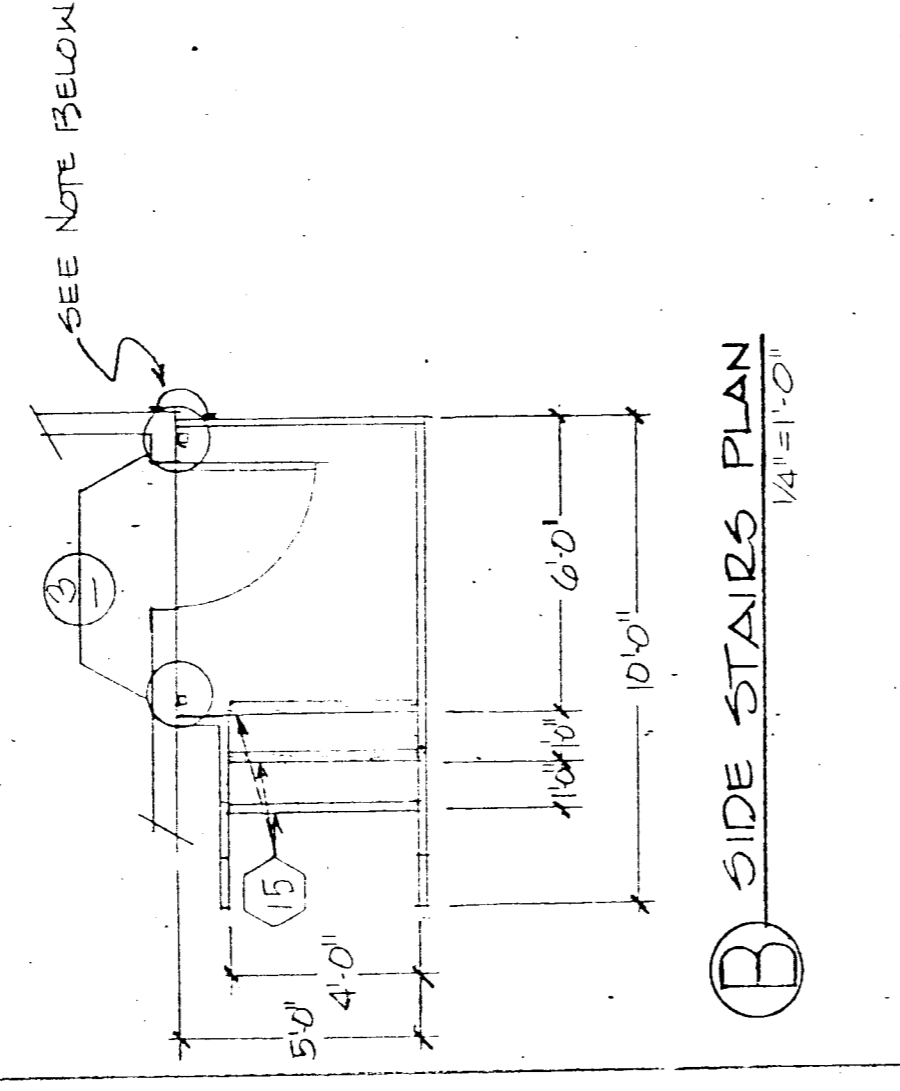
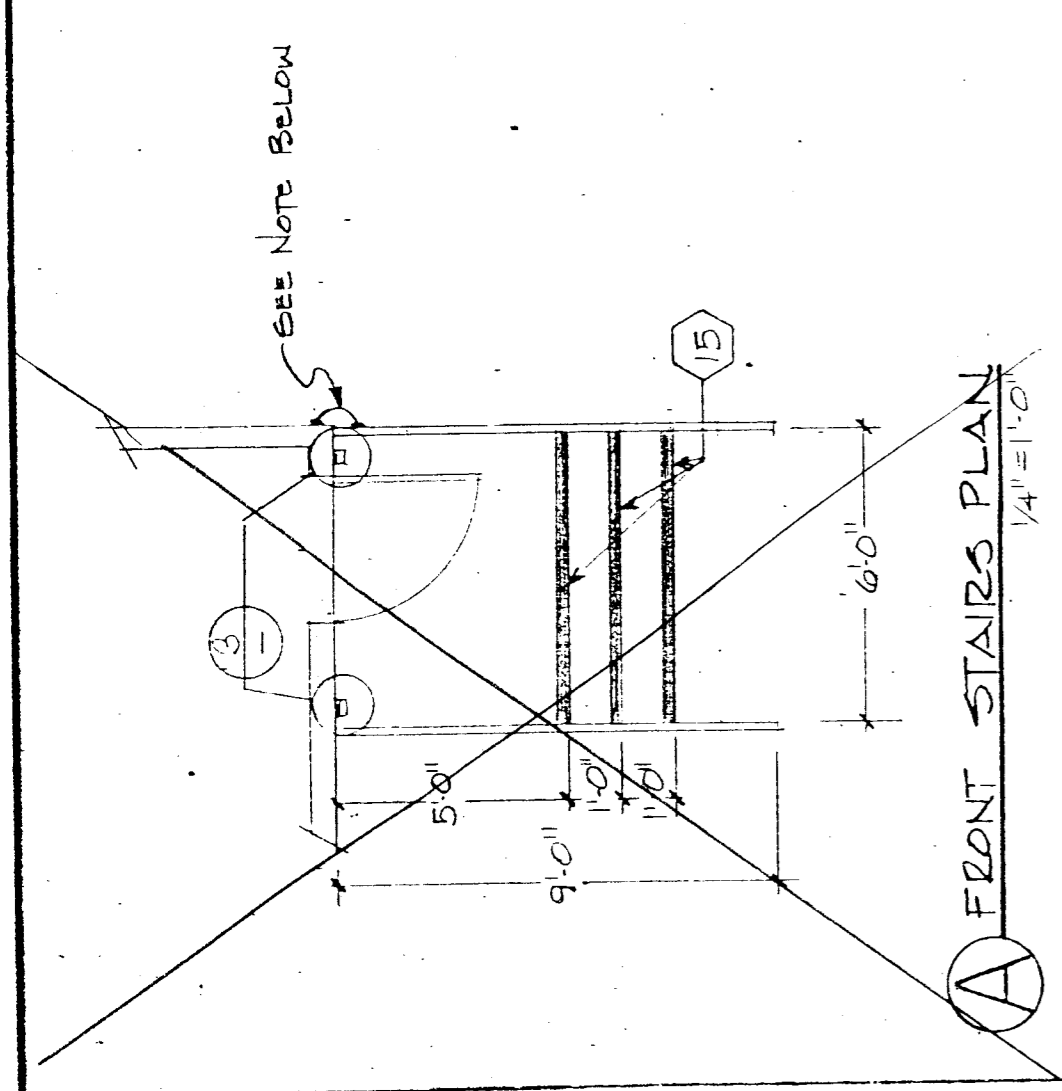
URORA
1200 W. Chandler Ave.
Peoria, California 93770
Phone (714) 943-2071

URORA
1200 W. Chandler Ave.
Peoria, California 93770
Phone (714) 943-2071

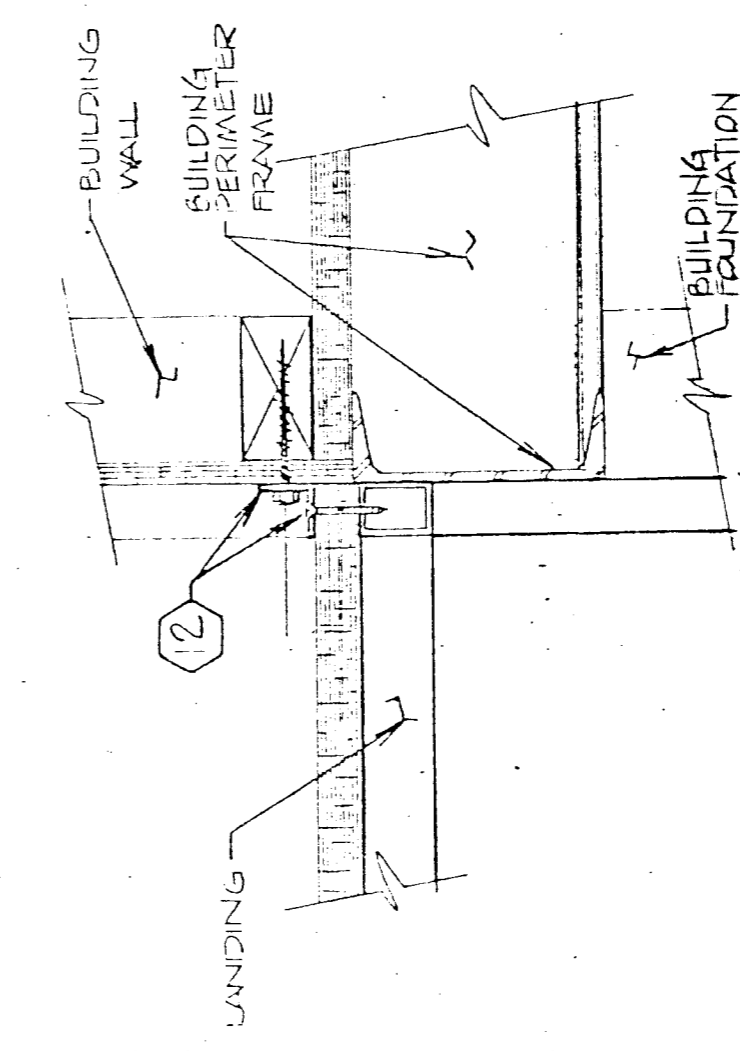


STEPS & DETAILS

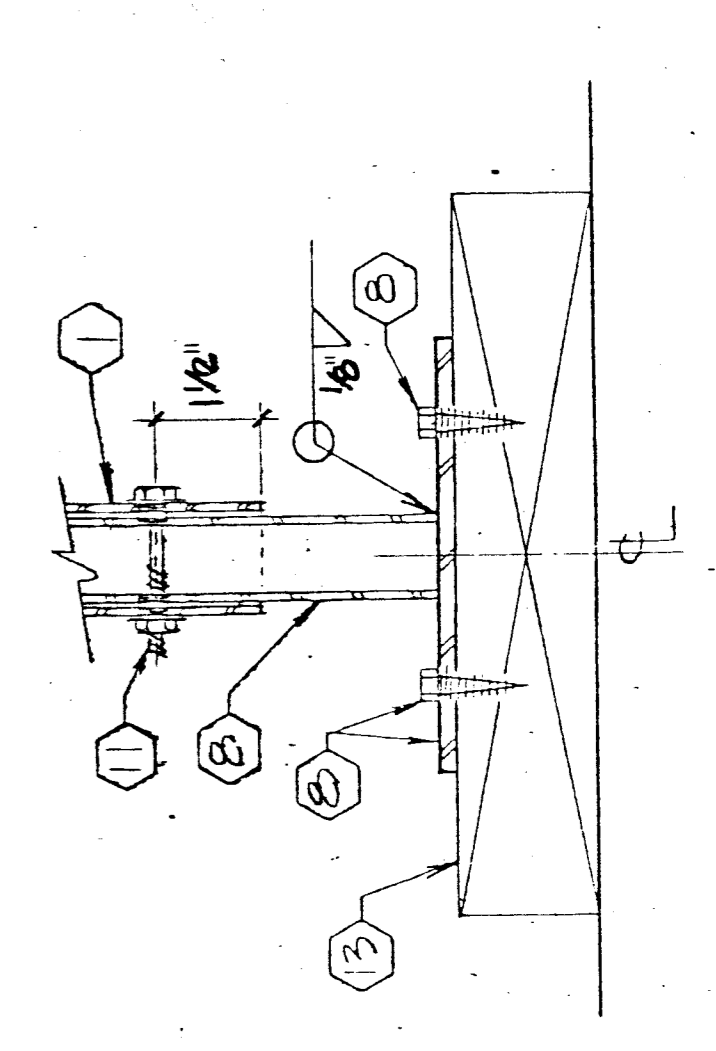
1. UPRIGHT TUBE- 1-1/2"x 1-1/2"x 1/8 GA. SD. TUBE
2. HANDRAIL TUBE- 1-1/2"x 1-1/2"x 1/8 GA. SD. TUBE
3. RAMP PERIMETER TUBE- 1-1/2"x 1-1/2"x 1/8 GA. SD. TUBE
4. LANDING PERIMETER TUBE- 1-1/2"x 2"x 1/8 GA. SD. TUBE OR 2"x 2"x 1/8 GA. SD. STEEL TUBE.
5. CROSS TUBE- 1-1/2"x 1-1/2"x 1/8 GA. SD. TUBE
6. LANDING CROSS TUBE- 2"x 2"x 1/8 GA. SD. STEEL TUBE
7. WOOD DECK- 3/4" EXTERIOR GRADE PLYWOOD. ATTACH TO SUPPORT TUBES WITH #10 SELF TAPPING SCREWS @ 12" O.C. EXTERIOR SURFACE. WOOD DECK FINISH.
8. ALTERNATE WOOD DECK- 2x6 H.F. T & G DECKING. ATTACH TO STEEL FRAMING WITH (2) #10 SELF TAP SCREWS AT EACH BEARING. WOOD DECK FINISH. WOOD DECK FINISH.
9. ADJUSTABLE LEGS- 1-1/4"x 1-1/4"x 1/4 GA. SD. STEEL TUBE WITH 3"x 6"x 1/4" THICK BASE PLATE WELDED TO LEG. BASE PLATE TO HAVE (2) 5/16" HOLES FOR 1/4" LAG BOLTS.
10. 1-1/4" LONG x 1/8" THICK SUPPORT BRACE.
11. UPRIGHT MEMBERS.
12. RAIL- 1" DIA. 1" SD. TUBE W/ACK WELDED TO UPRIGHT MEMBERS.
13. 3/8" MACHINE BOLTS (2) BOLTS PER CONNECTION.
14. 1-1/2"x 1-1/2"x 1/8 GA. SD. TUBE. ATTACH TO DECK WITH (2) #12 FLAT HEAD WOOD SCREWS. ATTACH TO EXTERIOR WALL WITH 1/4" x 3" LONG WOOD SCREWS.
15. STILL FLOOR- 2"x 2"x 1/8" LONG P.T.H.F. FLOOR AT EACH ADJUSTABLE LEG. USE WOOD PAD ONLY WHEN SET ON GRADE. WHEN WOOD PAD ONLY WHEN SET ON GRADE. WHEN WOOD PAD ONLY WHEN SET ON GRADE. WHEN WOOD PAD ONLY WHEN SET ON GRADE.
16. DIAGONAL BRACE- 1-1/2"x 1-1/2"x 1/8 GA. SD. TUBE
17. WHERE STAIRWAYS OCCUR OUTSIDE A BUILDING, THE UPPER APPROACH AND ALL TREADS SHALL BE MARKED BY A STRIP OF CLEARLY CONTRASTING COLOR AT LEAST 2 INCHES WIDE PLACED PARALLEL TO AND NOT MORE THAN 1 INCH FROM THE EDGE OF THE STEP OR LANDING TO BE MARKED. THE MARKING SHALL BE AT LEAST AS SLIP RESISTANT AS THE OTHER TREADS OF THE STAIR. A PAINTED STRIP SHALL BE ACCEPTABLE.



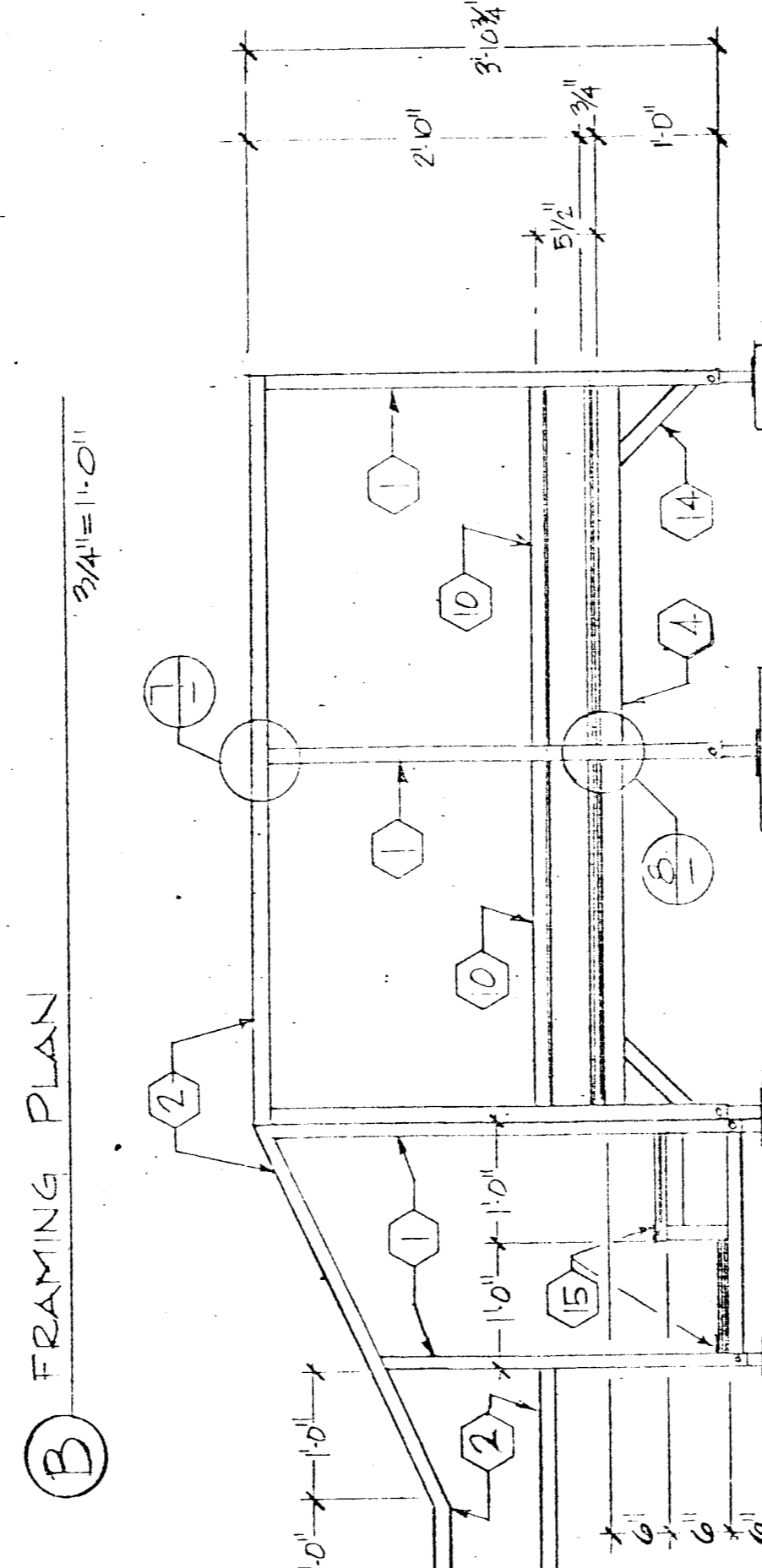
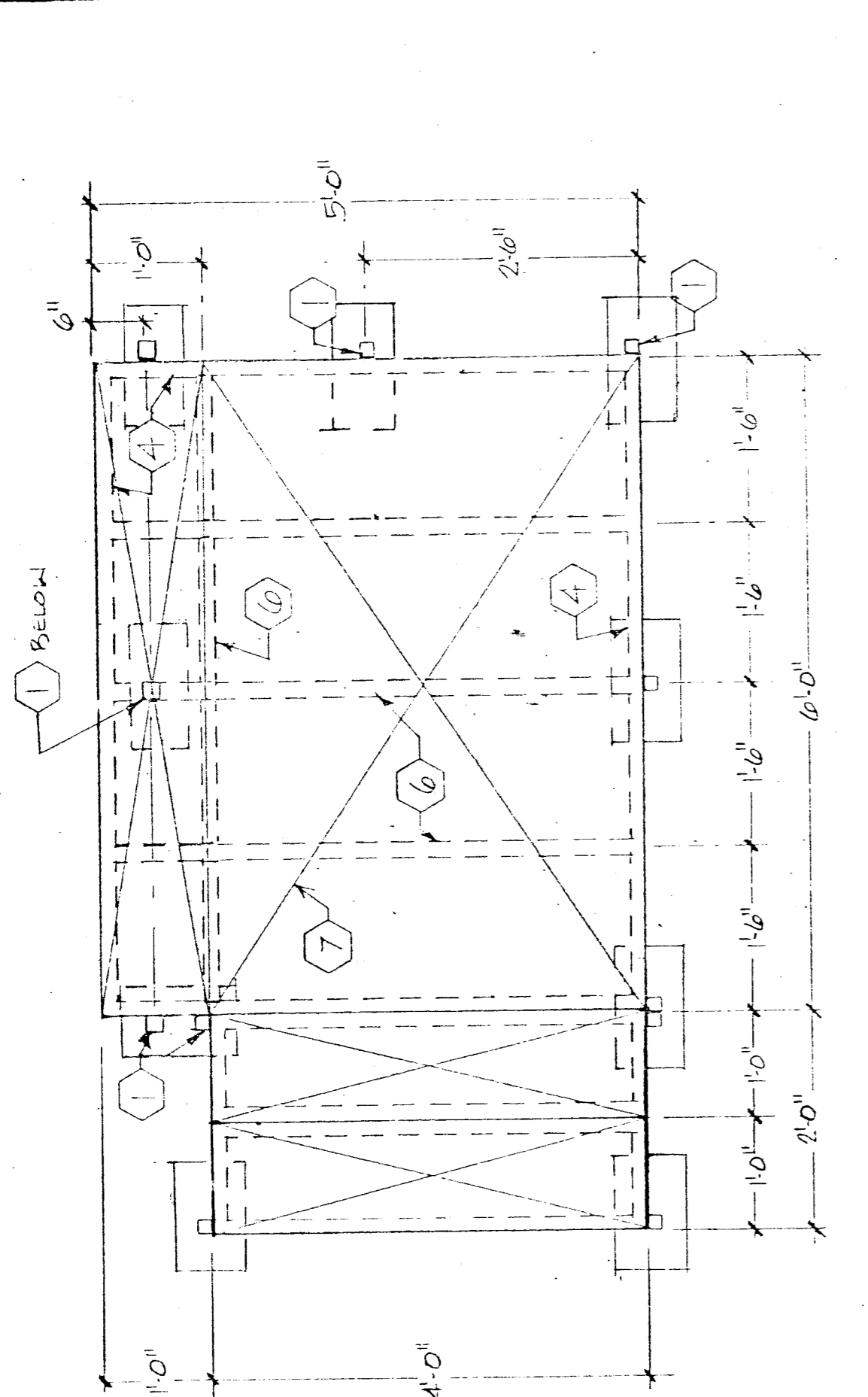
NOTE:
BOND METAL STAIR LANDING FRAME TO BLD'G FLOOR FRAME W/ #8 BASE COPPER WIRE. ATTACH WIRE TO BUILDING FRAME & LANDING W/ 5/16" x 10" GALVANIZED LUGS.



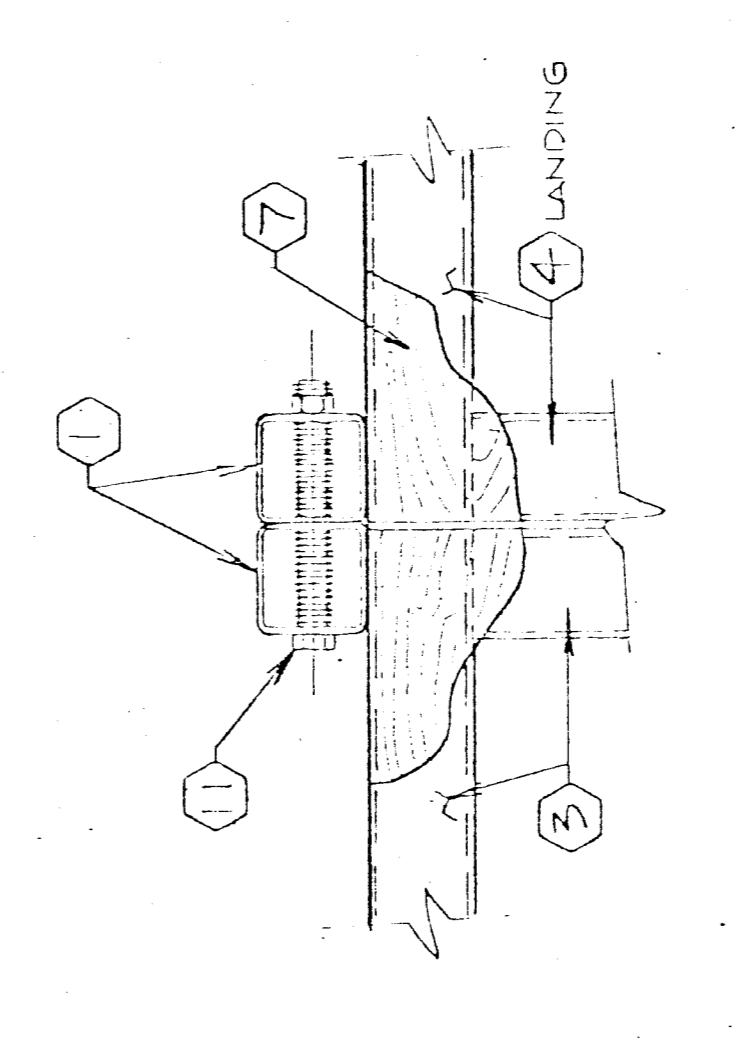
3 LANDING TO BUILDING



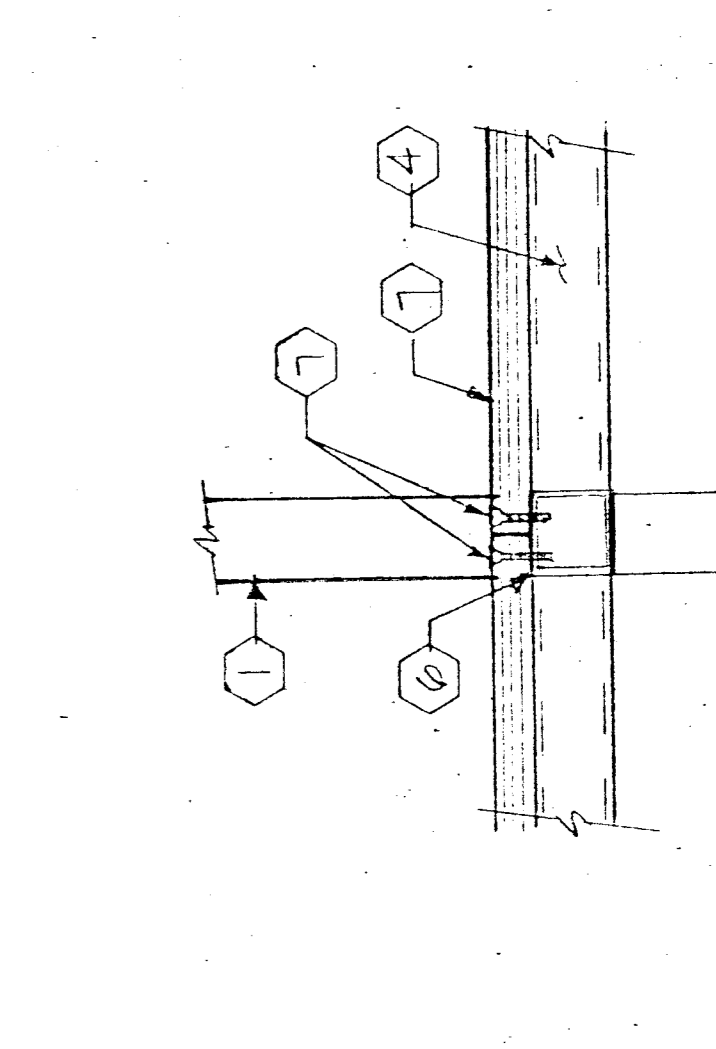
4 BASE



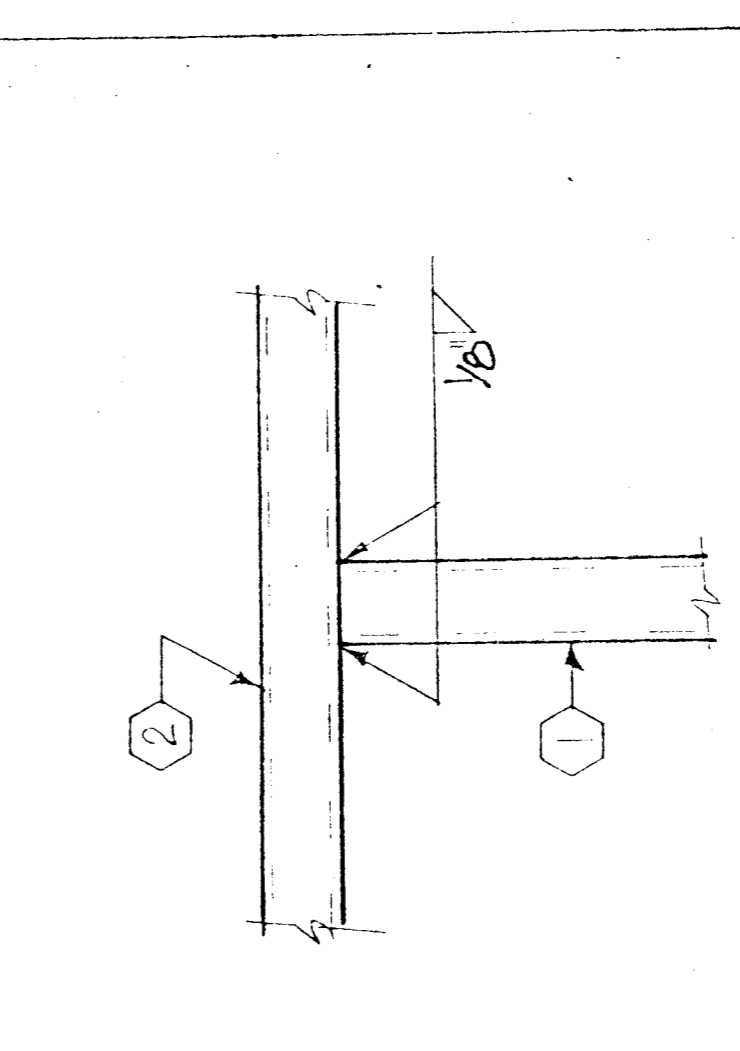
ELEVATION (TYPICAL)



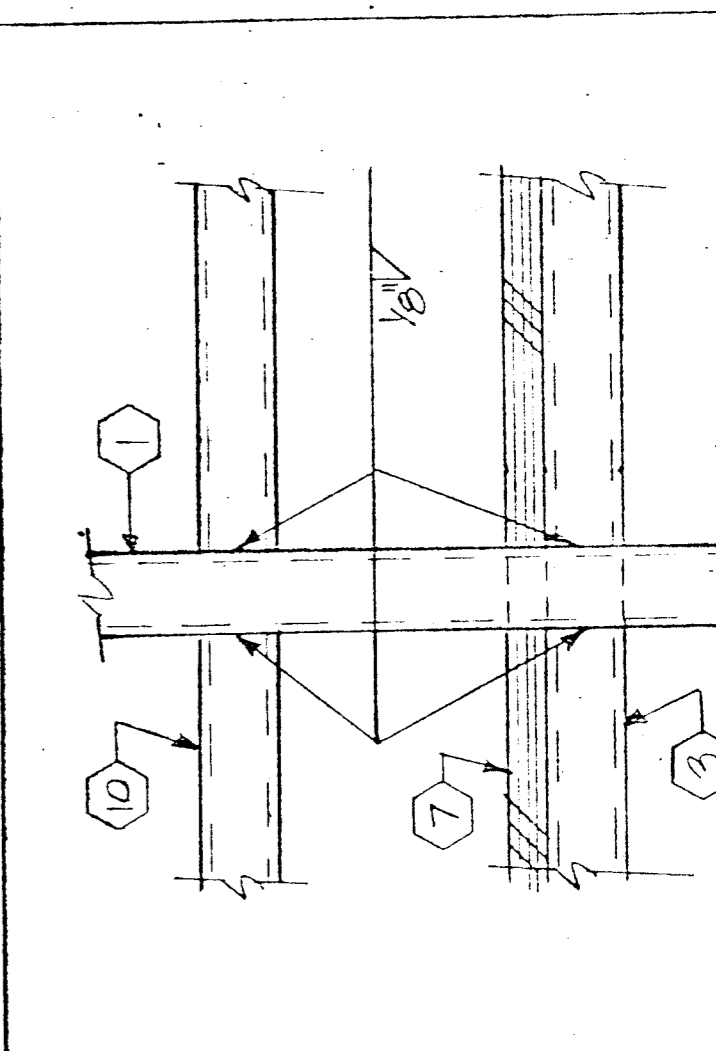
5 STAIR/LANDING CONN.



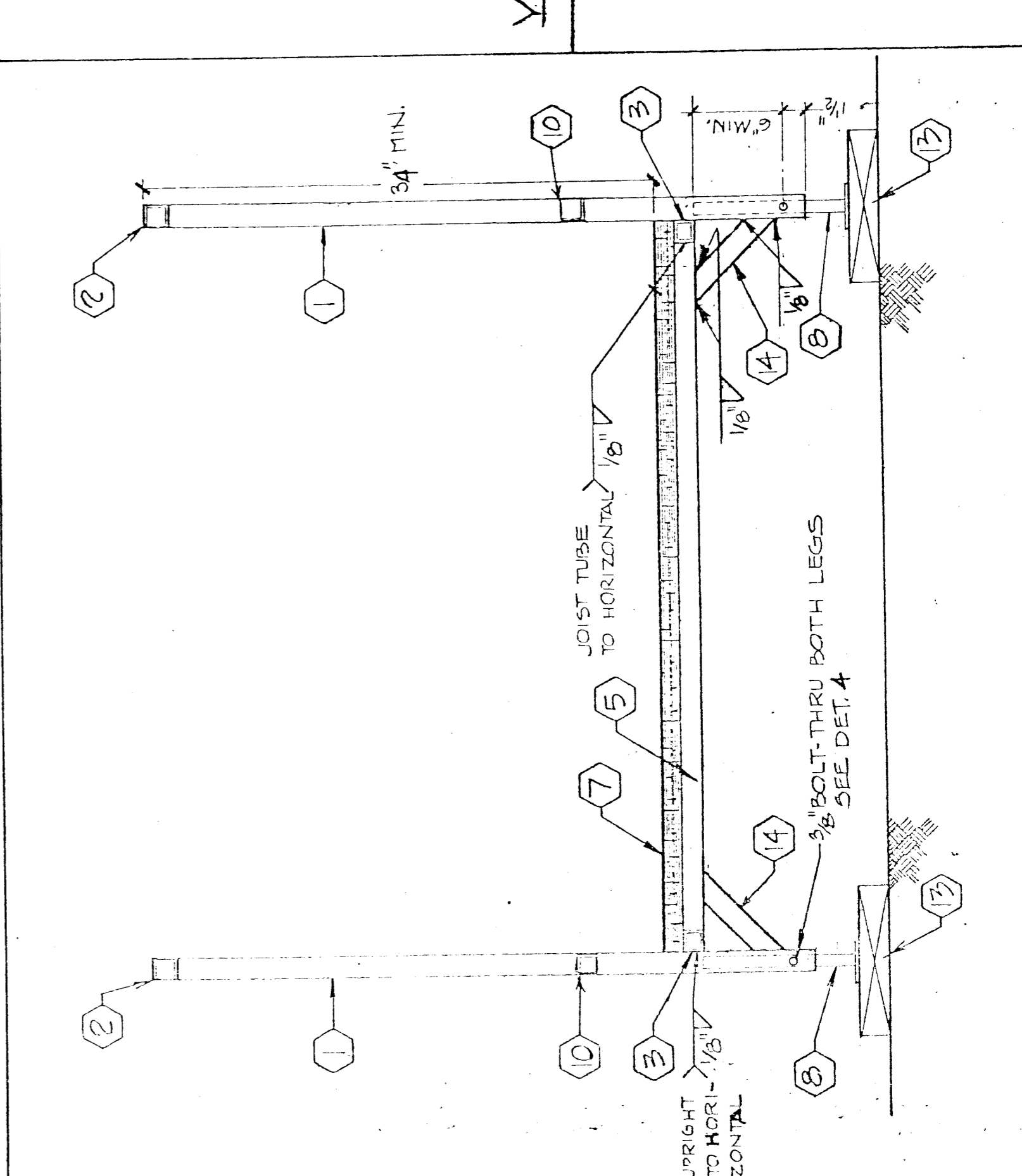
6 DECK & JOIST CONN.



7 VERT. POST TO HANDRAIL



8 VERT. POST TO EDGE BEAM



9 SECTION @ LANDING