

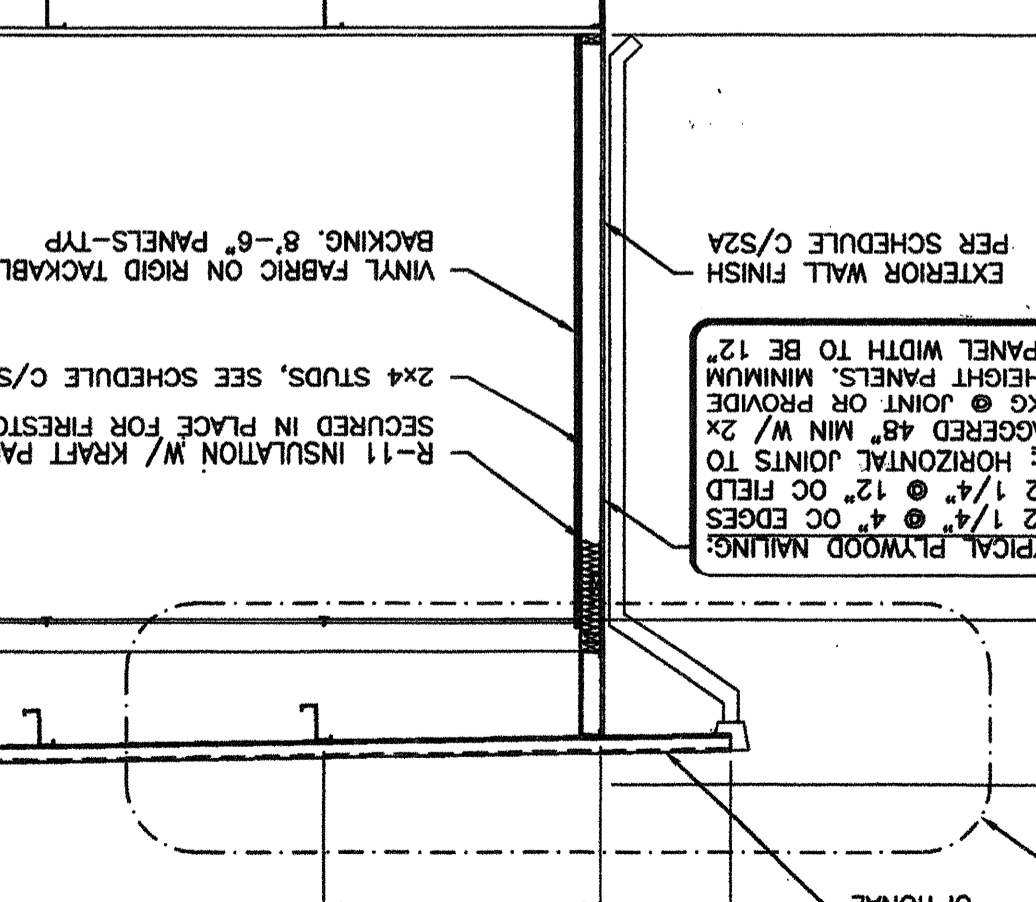
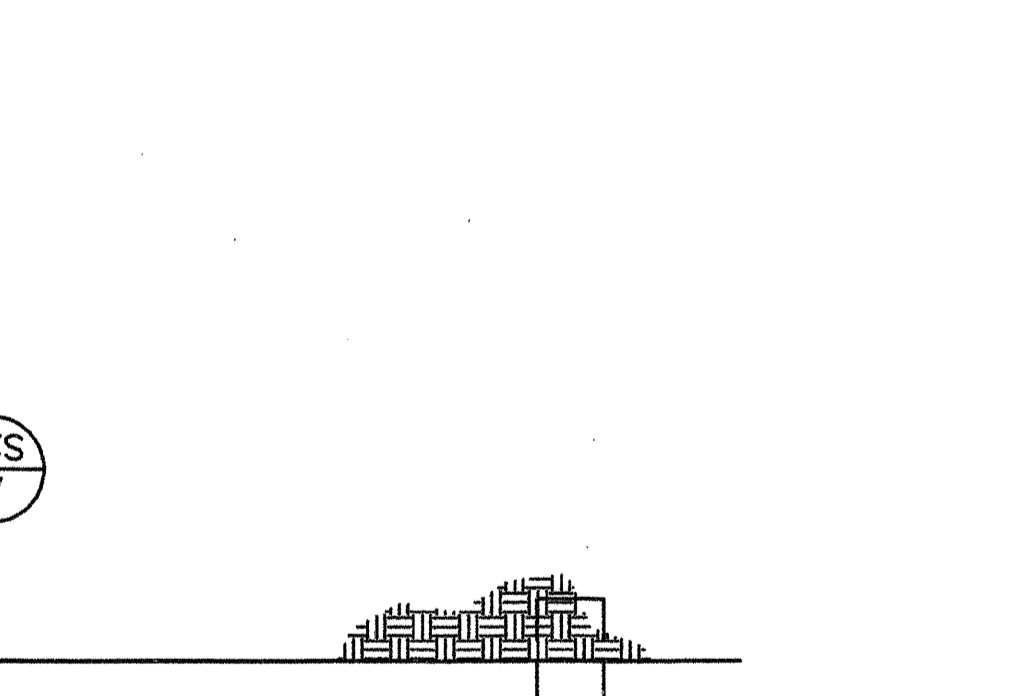
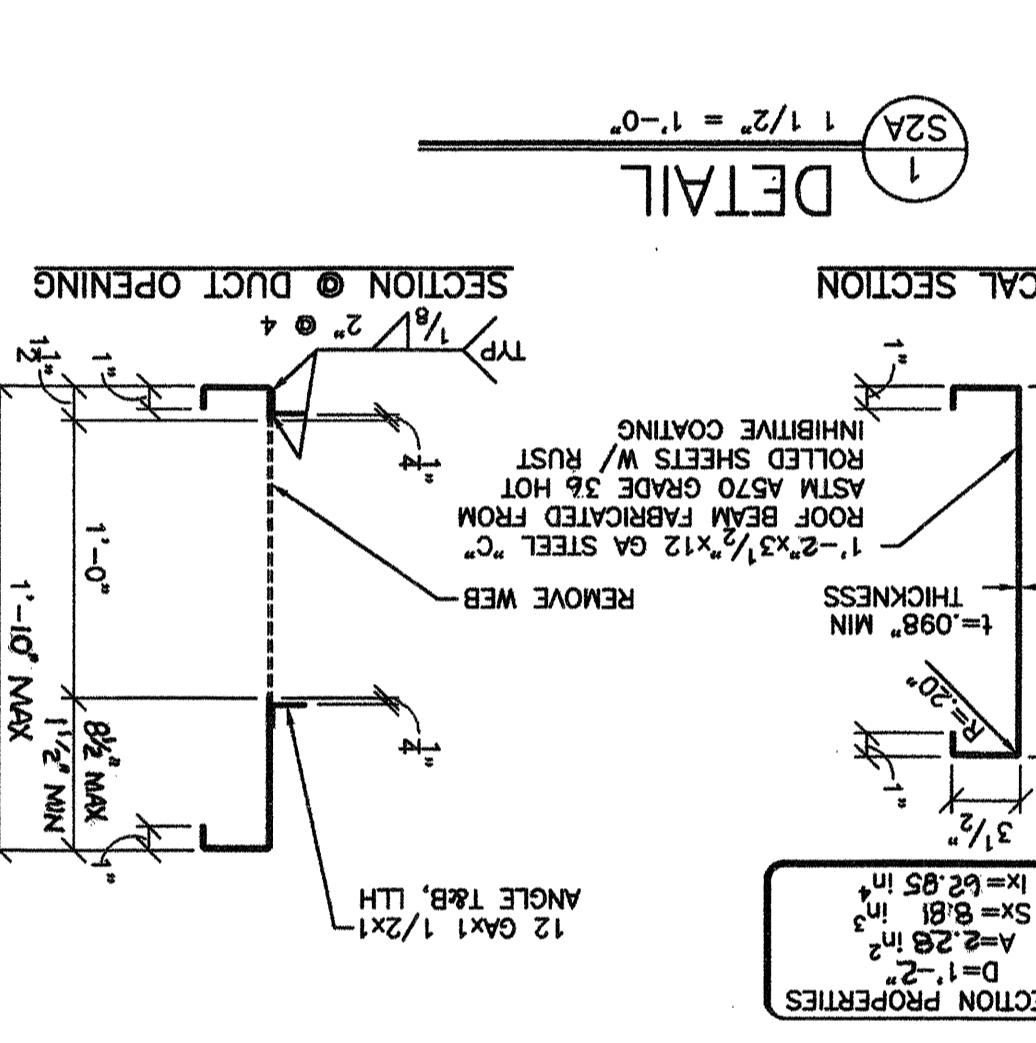
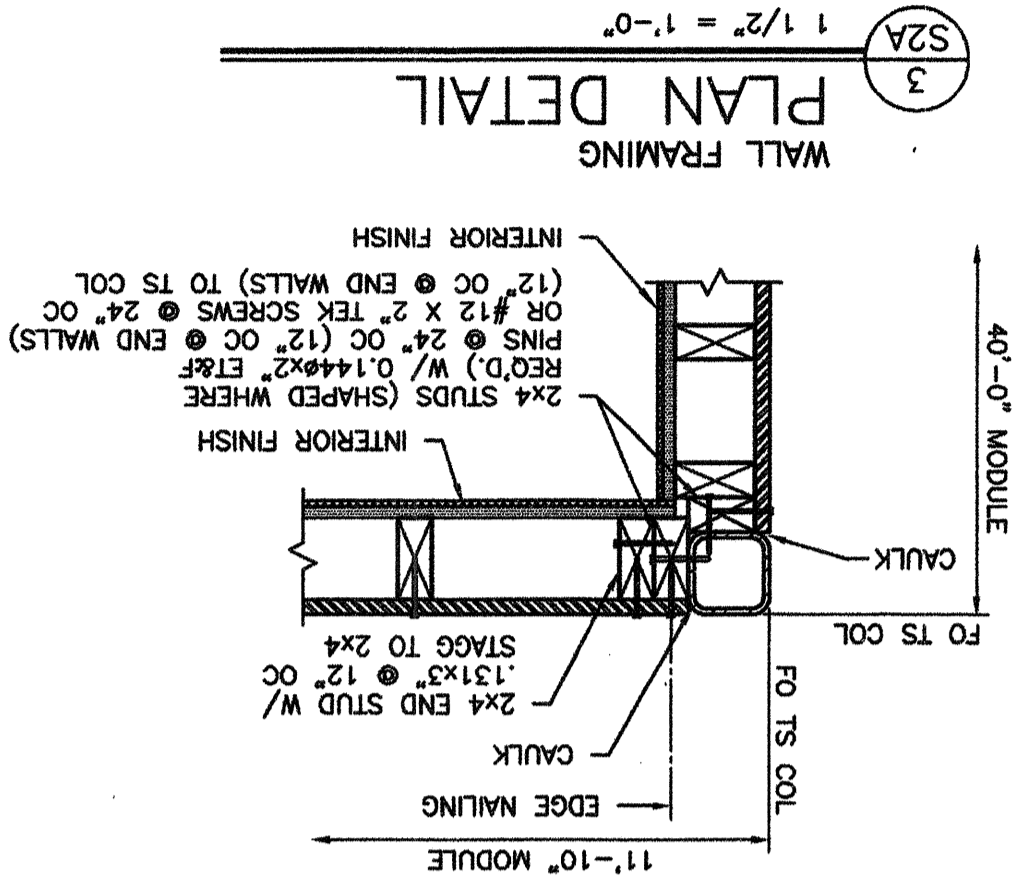
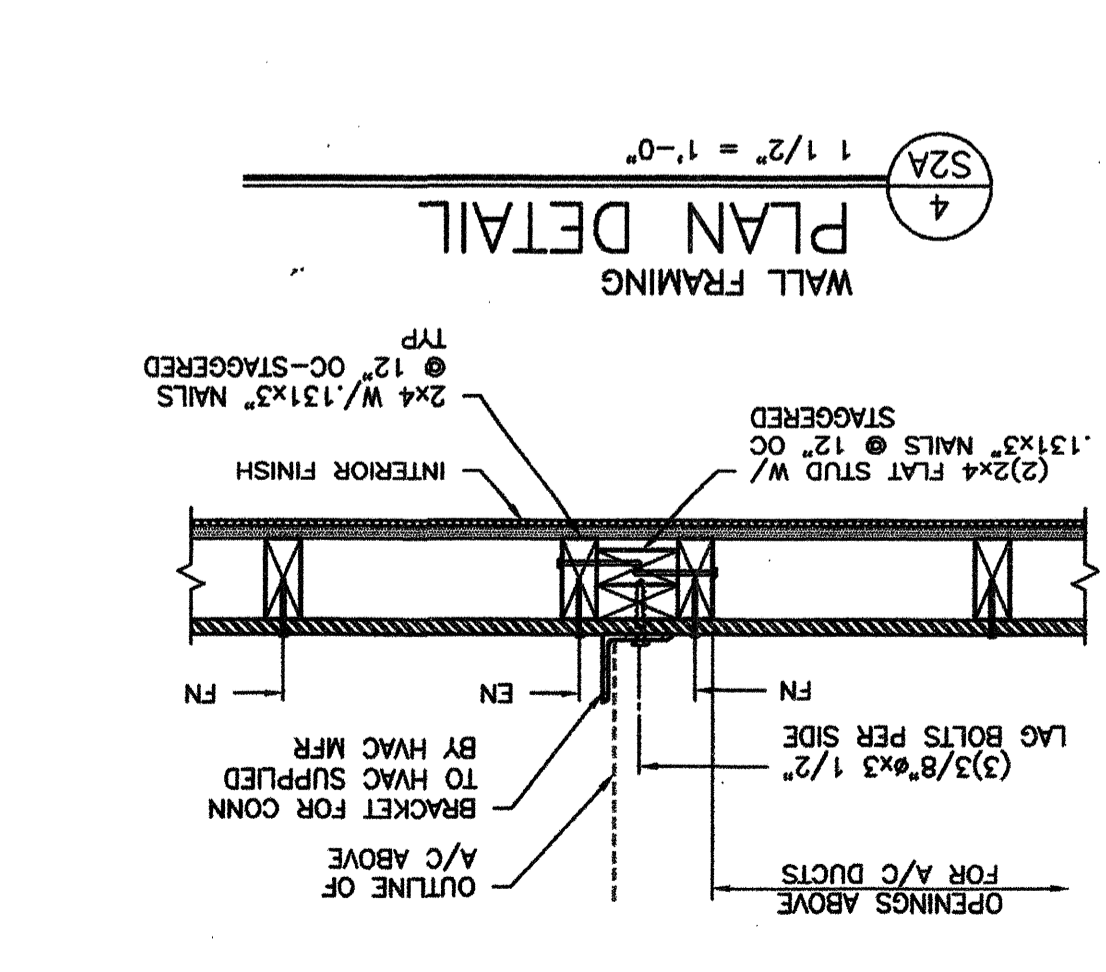
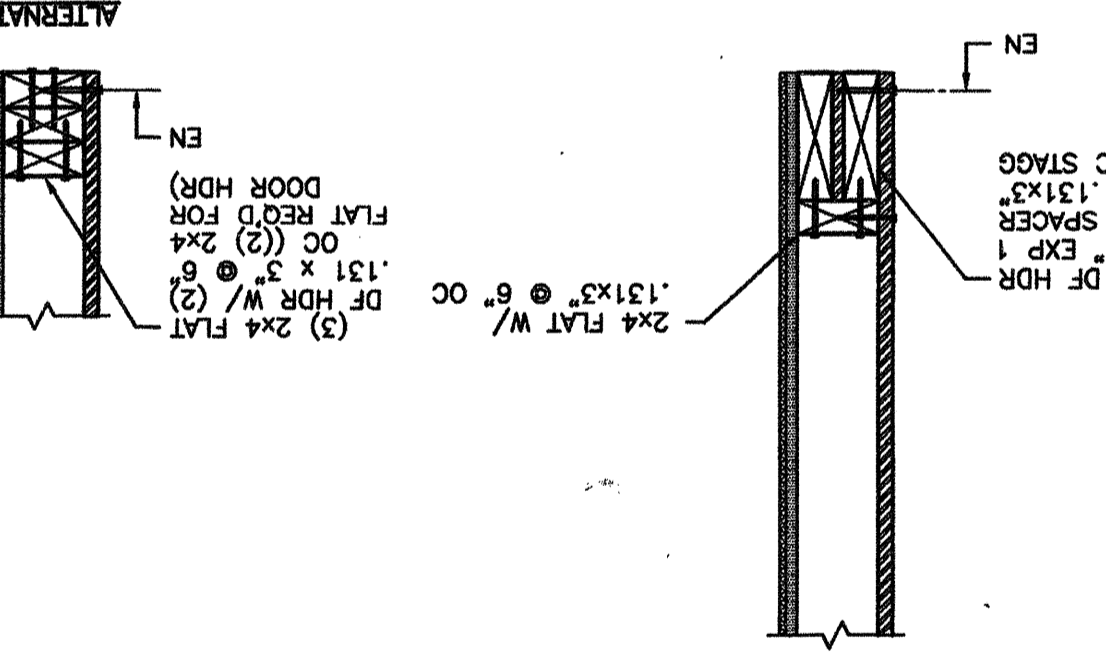
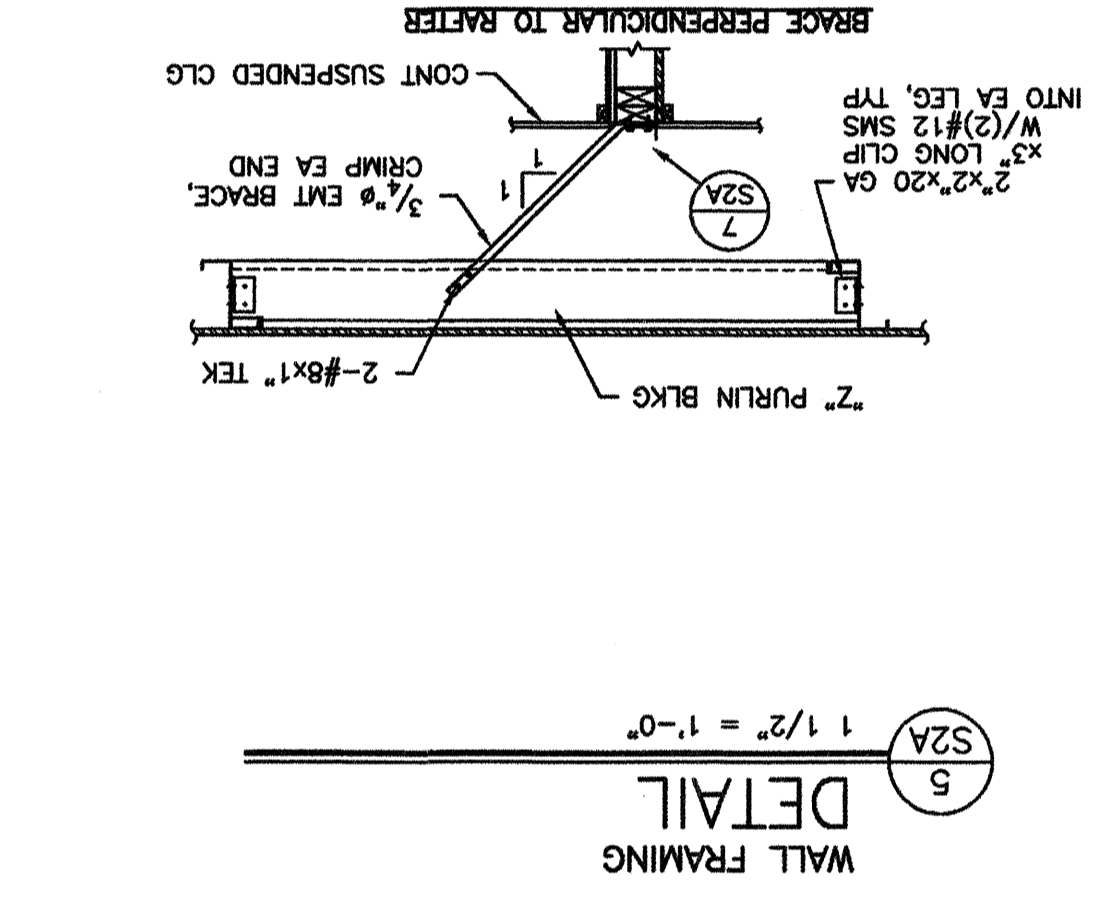
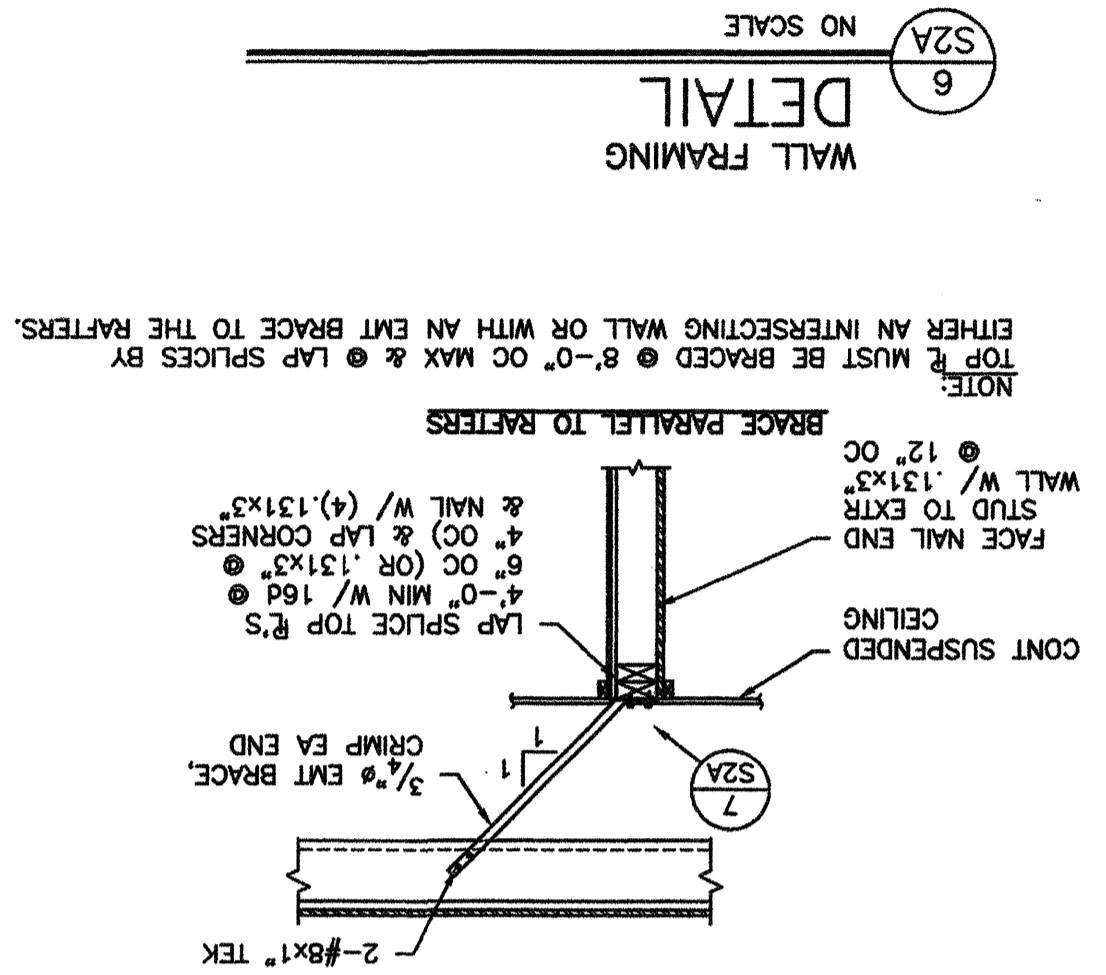
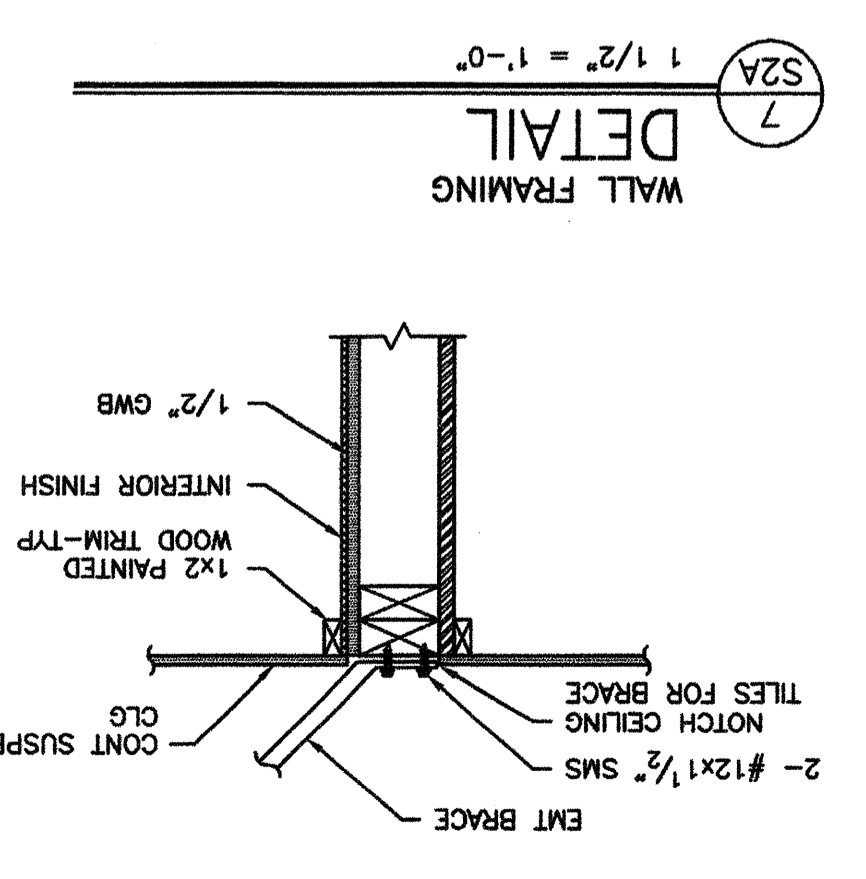
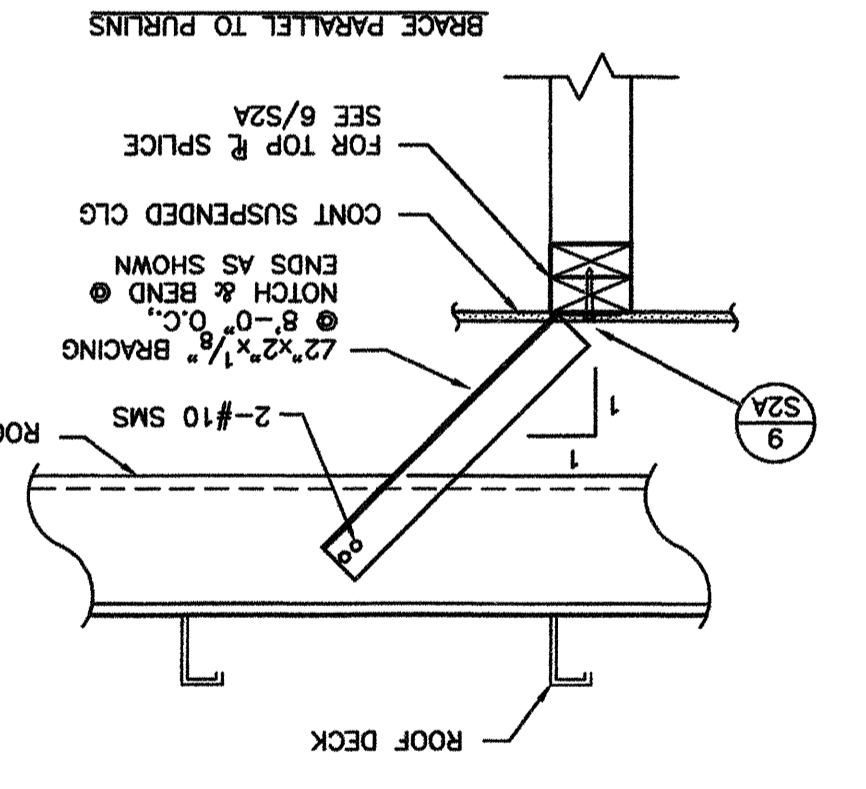
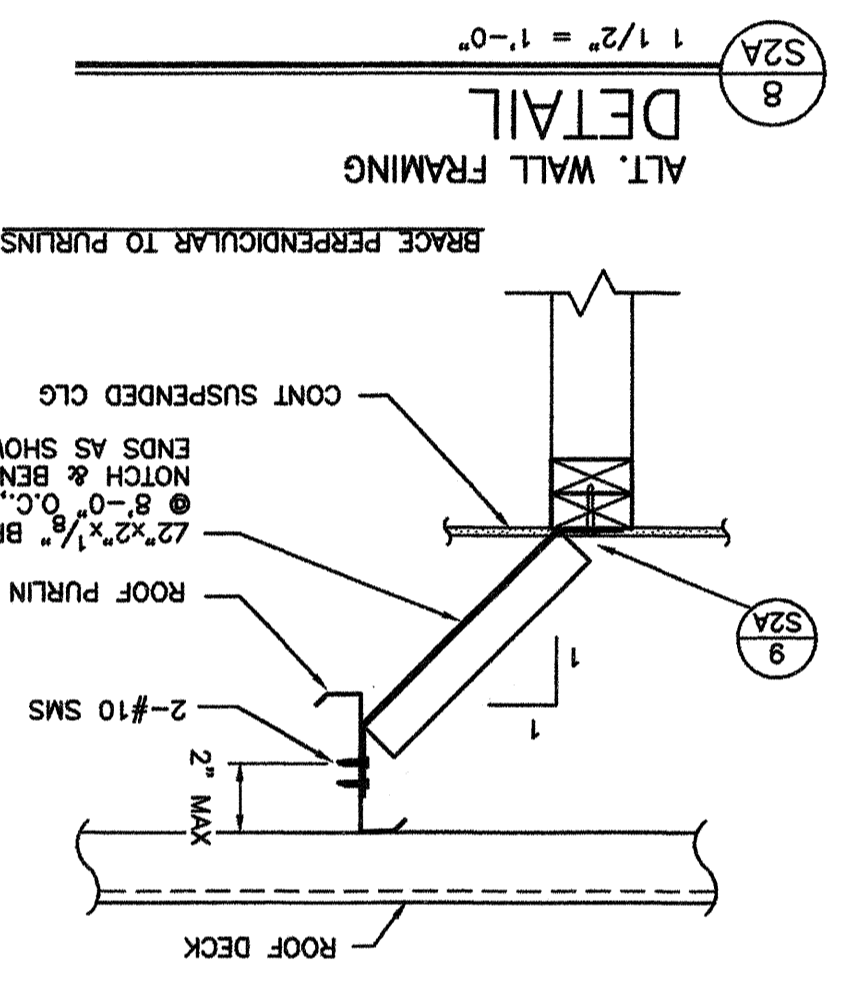
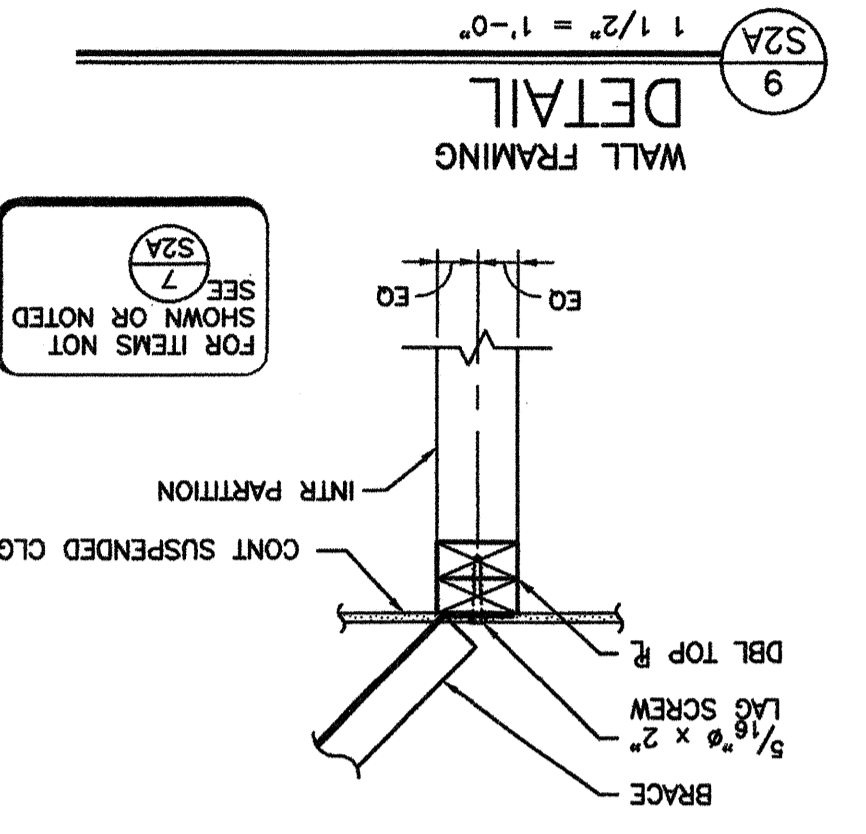
BUILDING SECTIONS AND WALL DETAILS

CUSTOMER: \_\_\_\_\_

DATE: 5/30/03  
SCALE: AS NOTED  
DRAWN BY: REM  
DESIGNED BY: MDB  
CHECKED BY: KAL  
SERIAL NO. \_\_\_\_\_

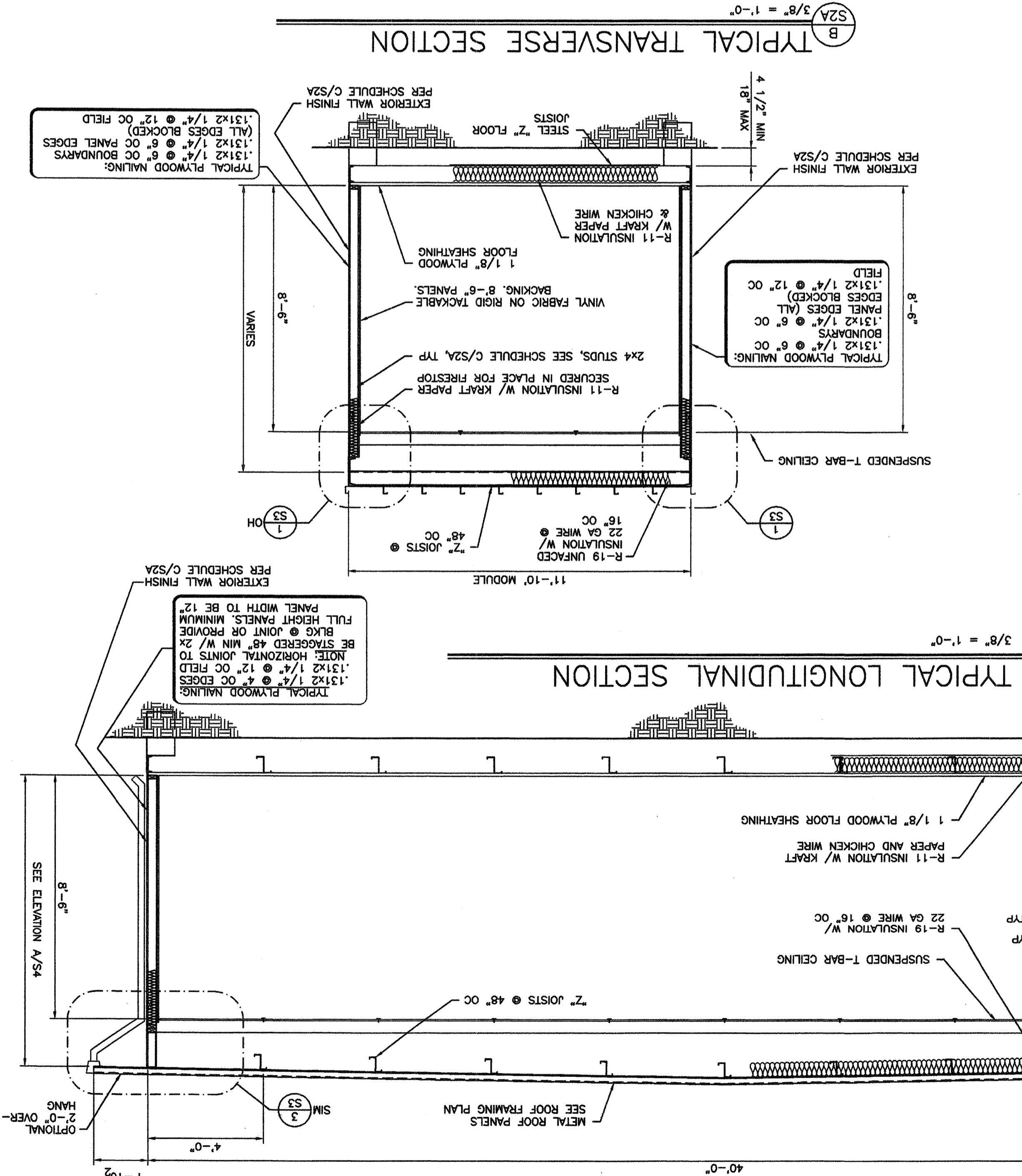
| NO | DATE | DESCRIPTION |
|----|------|-------------|
|    |      |             |
|    |      |             |
|    |      |             |

PROJECT NO. 02156-16  
SHEET NO. S2A



EXTERIOR WALL FINISH/WALL STUD SCHEDULE

| FINISH TYPE  | FOUNDATION TYPE  | WALL FINISH COMMENTS                         | STUD TYPE   | STUD SPACING |
|--|------------------|--|-------------|--------------|
| 1/2" PLYWOOD SHEATHING CONFORMING TO PS1-95, APA RATED, 5 PLY 32/16, EXPOSURE 1. | CONCRETE ONLY    | MAILING PER BLDG SECTIONS                    | DOUG FIR #2 | 16" OC       |
| 7/8" HARDBOARD WITH SYNTHETIC STUCCO   | WOOD OR CONCRETE | JOINT DETAIL AND TYPING PER DETAIL 1 SHEET 2 | HEM FIR #2  | 12" OC       |
| PS1-95 VERTICAL BRUDES @ 8" OC   | WOOD OR CONCRETE | MAILING PER BLDG SECTIONS                    | HEM FIR #2  | 16" OC       |
| 5/8" PLYWOOD SHEATHING CONFORMING TO PS1-95, APA RATED, 5 PLY 32/16, EXPOSURE 1. | CONCRETE ONLY    | MAILING PER BLDG SECTIONS                    | DOUG FIR #2 | 16" OC       |



IDENTIFICATION STAMP  
DIV. OF THE STATE ARCHITECT  
OFFICE OF REGULATION SERVICES  
APPLICATION NO. 02-104931  
DATE APR 9 2008

