

RESTROOM
12 x 40



CONCRETE FOUNDATION DETAILS

CUSTOMER:

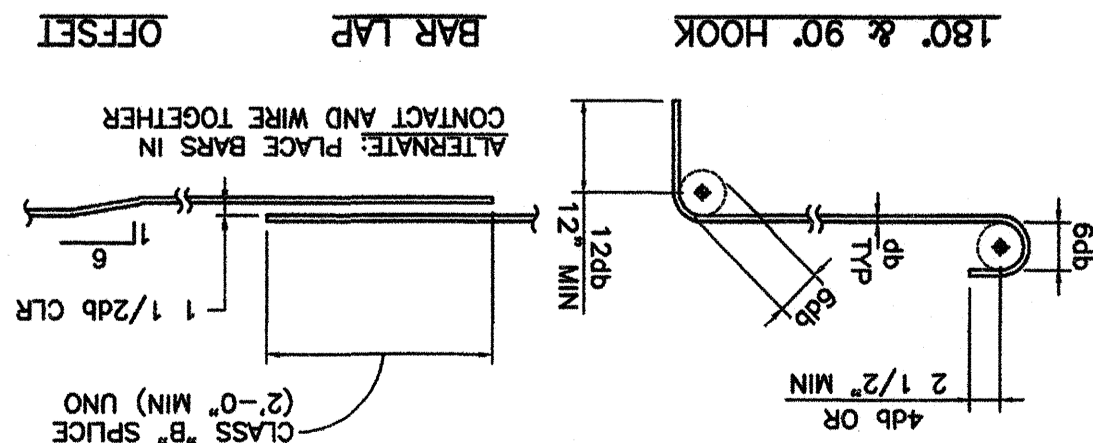
DATE: 5/20/03
SCALE: AS NOTED
DRAWN BY: REM
DESIGNED BY: MDB
CHECKED BY: KAL
SERIAL NO.

NO	DATE	DESCRIPTION	NO	DATE	DESCRIPTION

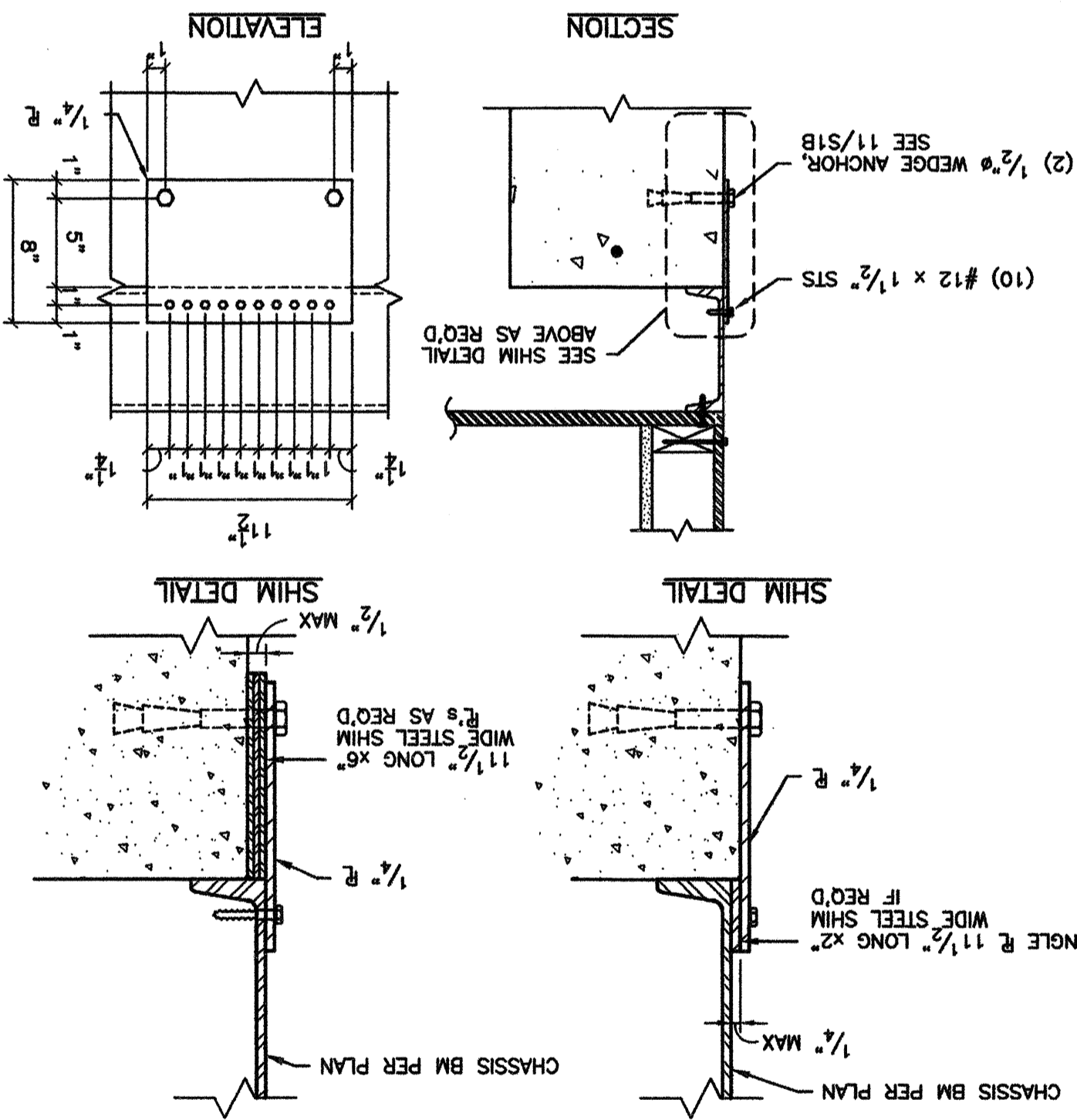
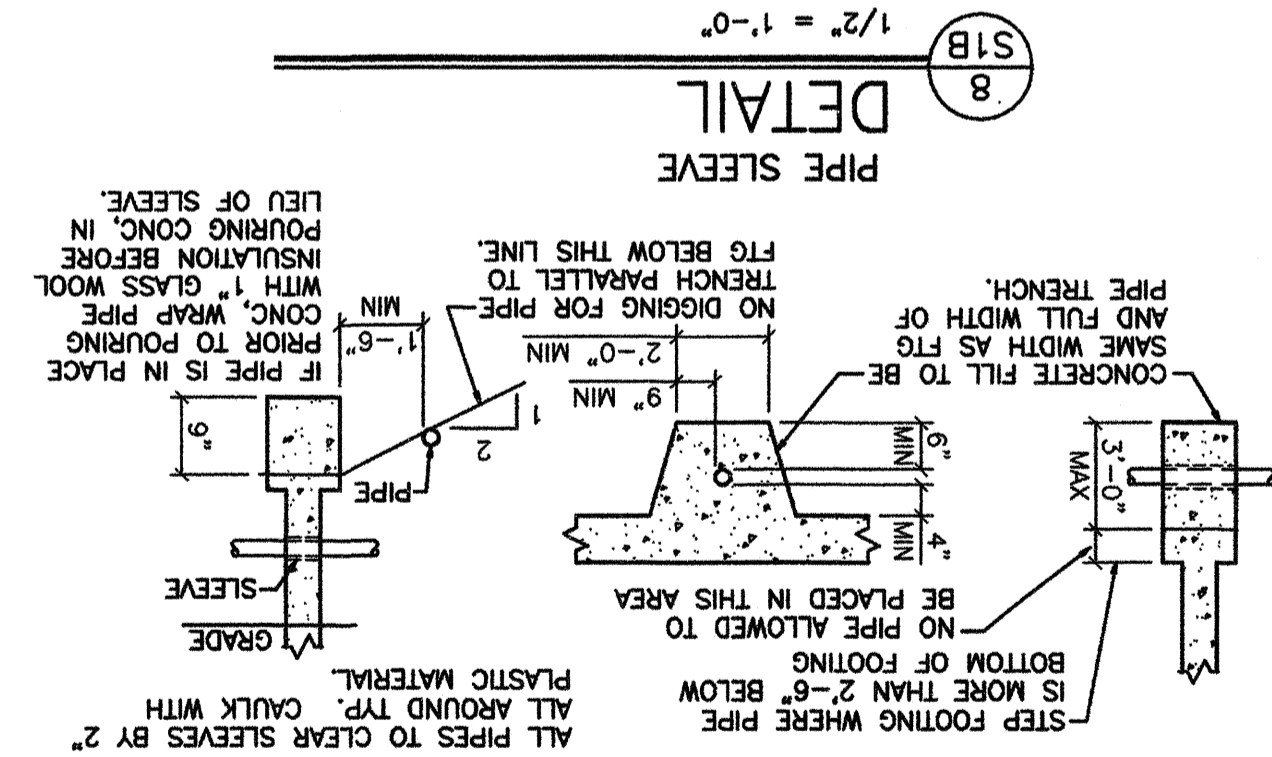
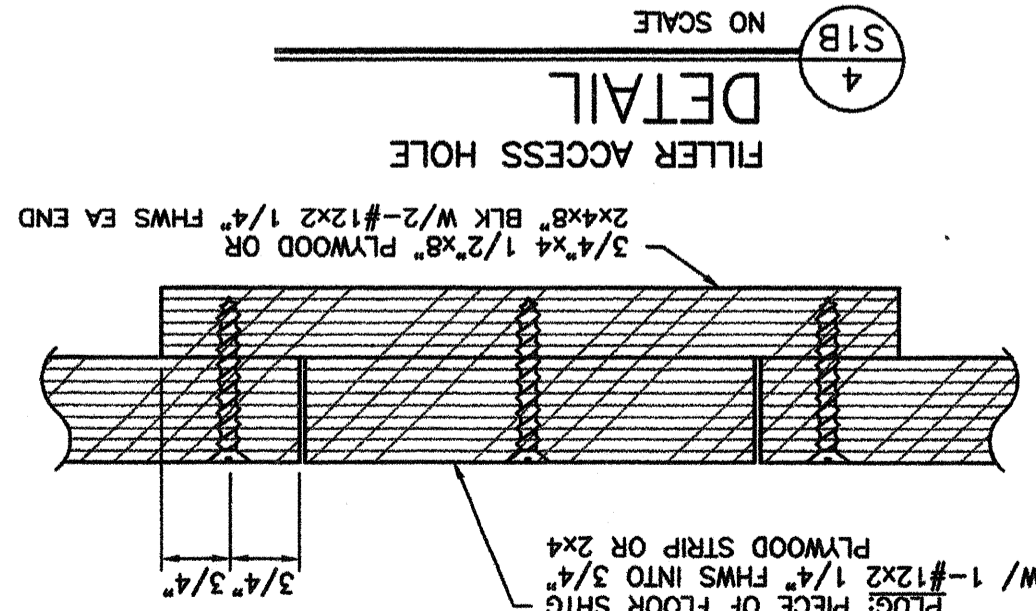
S1B
SHEET NO.
02156-16
PROJECT NO.

ANCHOR TYPE	IC80 # 4427 SIMPSON WEDGEALL	IC80 # 3631	ANCHOR SIZE (IN)	MIN EMBED (IN)	TENSION TEST (LB)	INSTALLATION TORQUE (FT-LB)
1. TENSION TEST- 1.6 x ALLOWABLE TENSILE			1 1/2"	5/8"	3000#	45
2. NORMAL WEIGHT CONCRETE WITH f'c = 2500 PSI TO COMPLY WITH 1929.6			3/2"	4"	2786#	60
			4 1/2"	5/8"	4032#	90

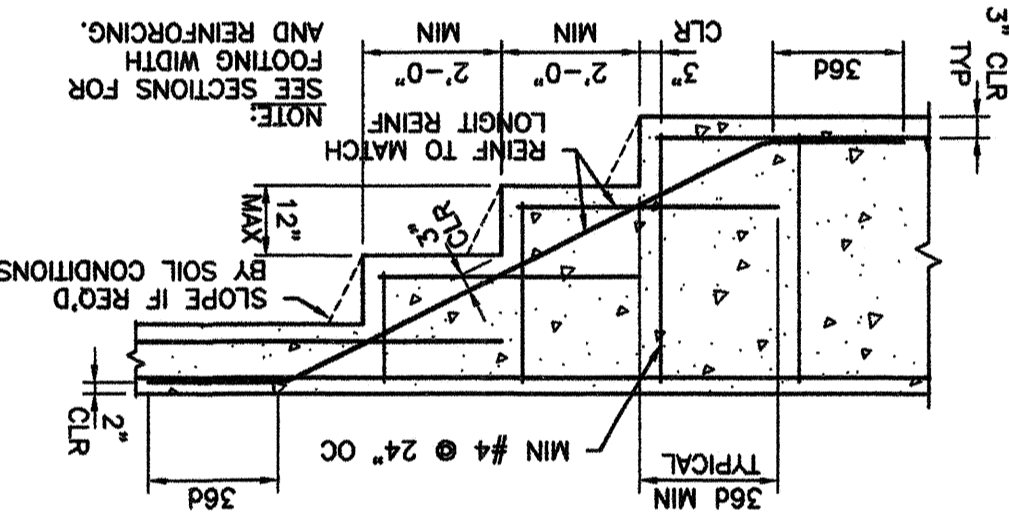
WEDGE ANCHOR SCHEDULE
NO SCALE



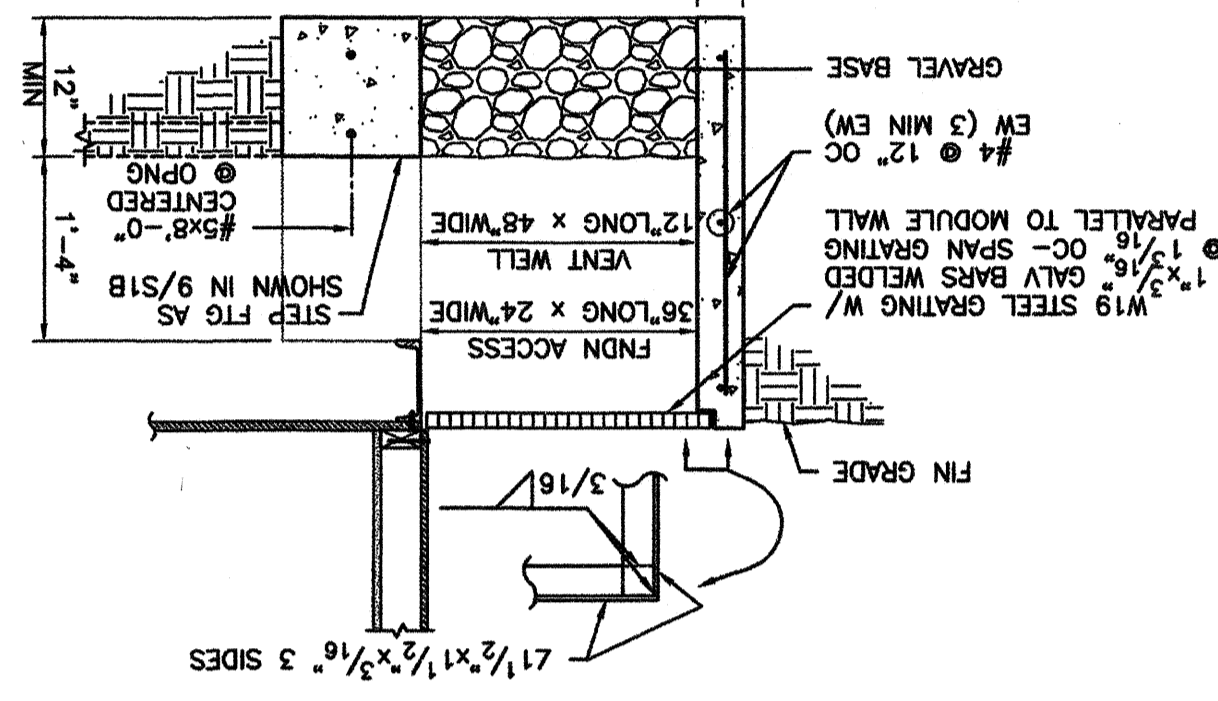
TYPICAL REINFORCING BENDS
NO SCALE



STEPPED FOOTING
3/8" = 1'-0"



OPTIONAL FOUNDATION ACCESS/
VENT WELL
3/4" = 1'-0"



TYP WALL & FTG REINF SPLICES
NO SCALE

