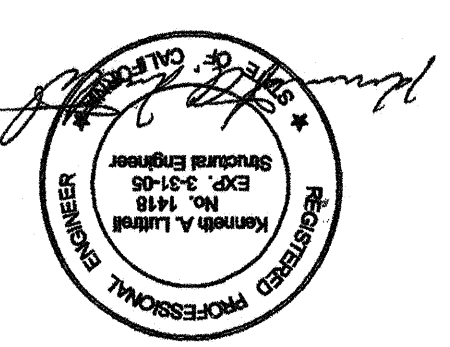
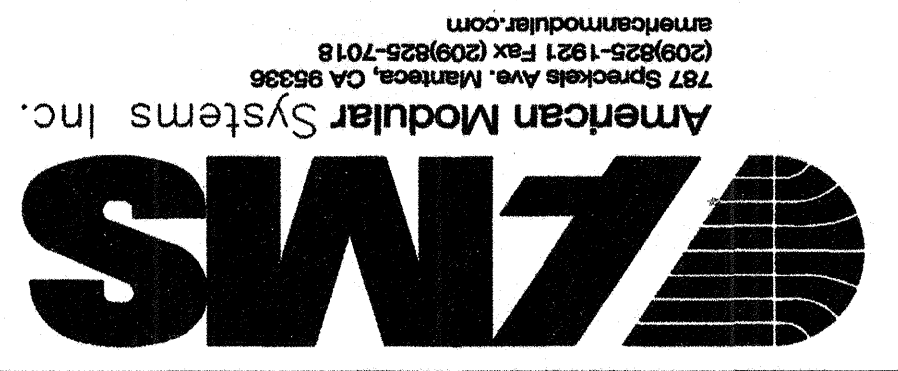


RELOCATABLE CLASSROOM
 EXPOSED STEEL
 212 PITCH ROOF
 24'x40' TO 120'x40'



ROOF SECTIONS AND DETAILS

CUSTOMER:

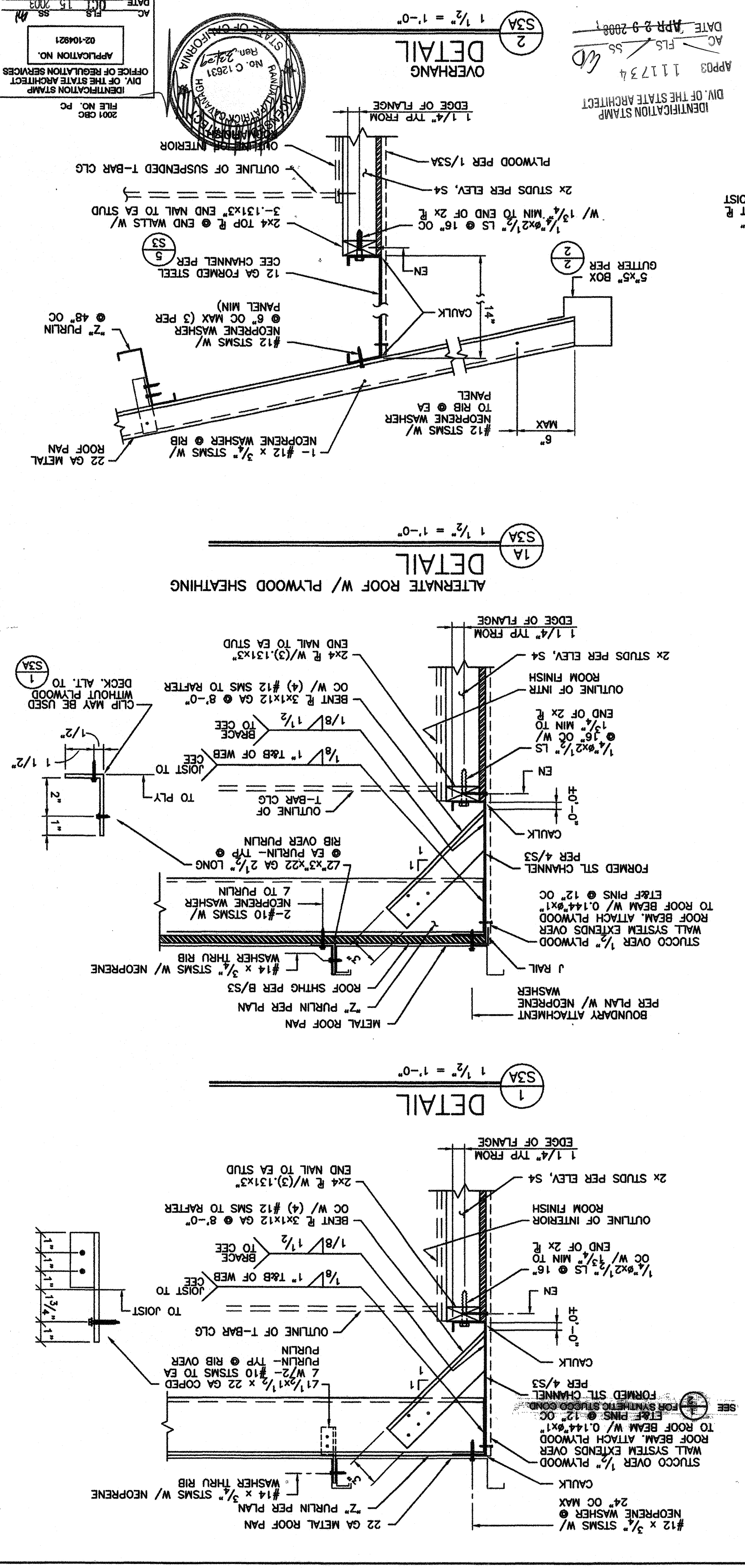
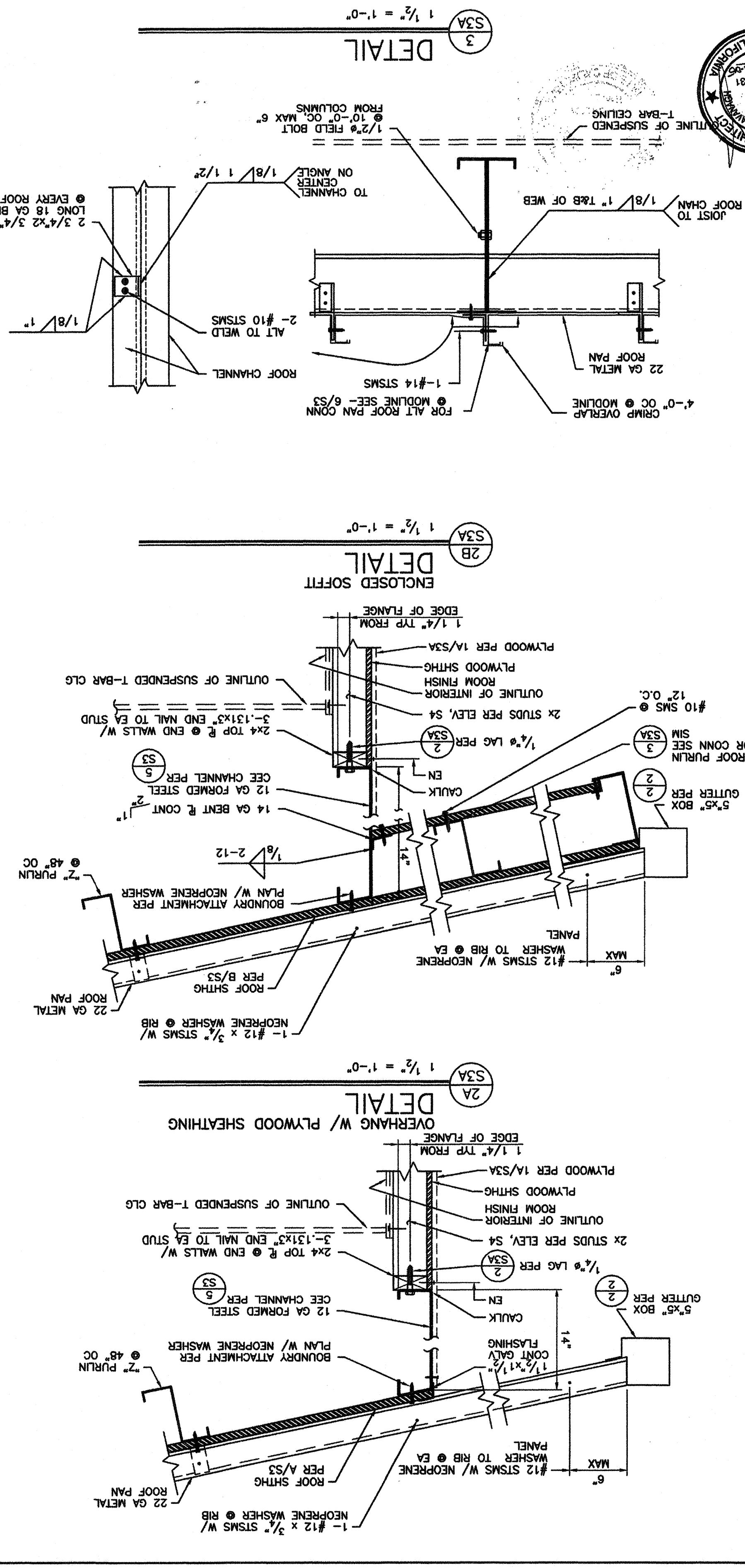
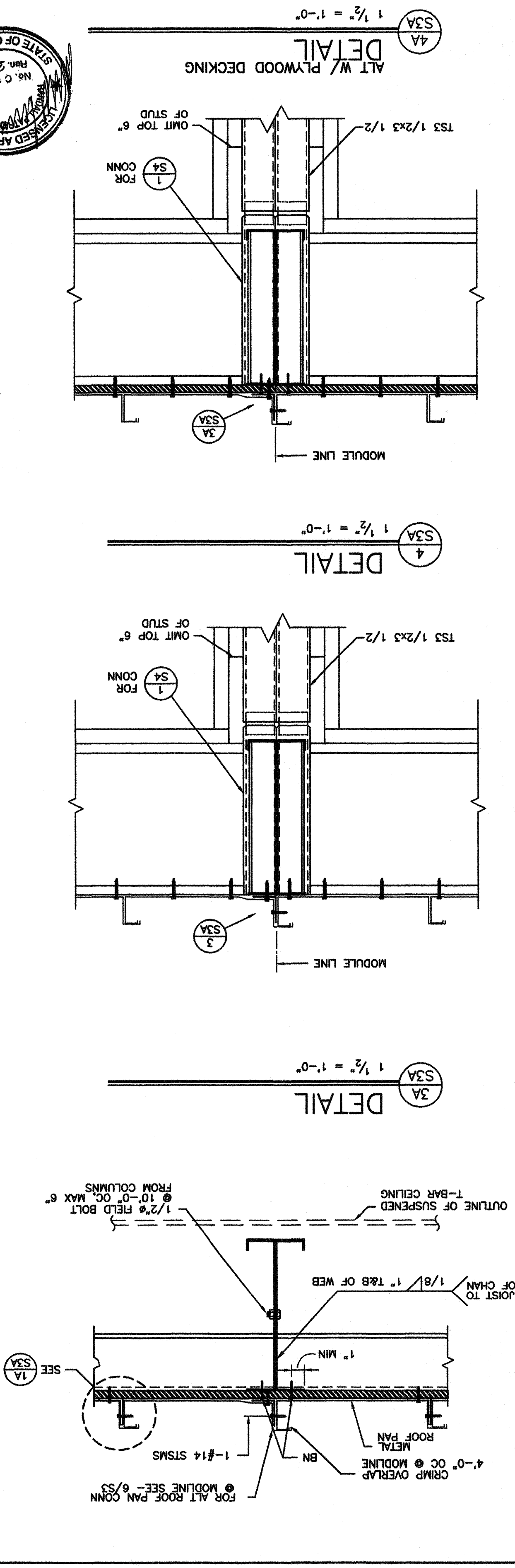
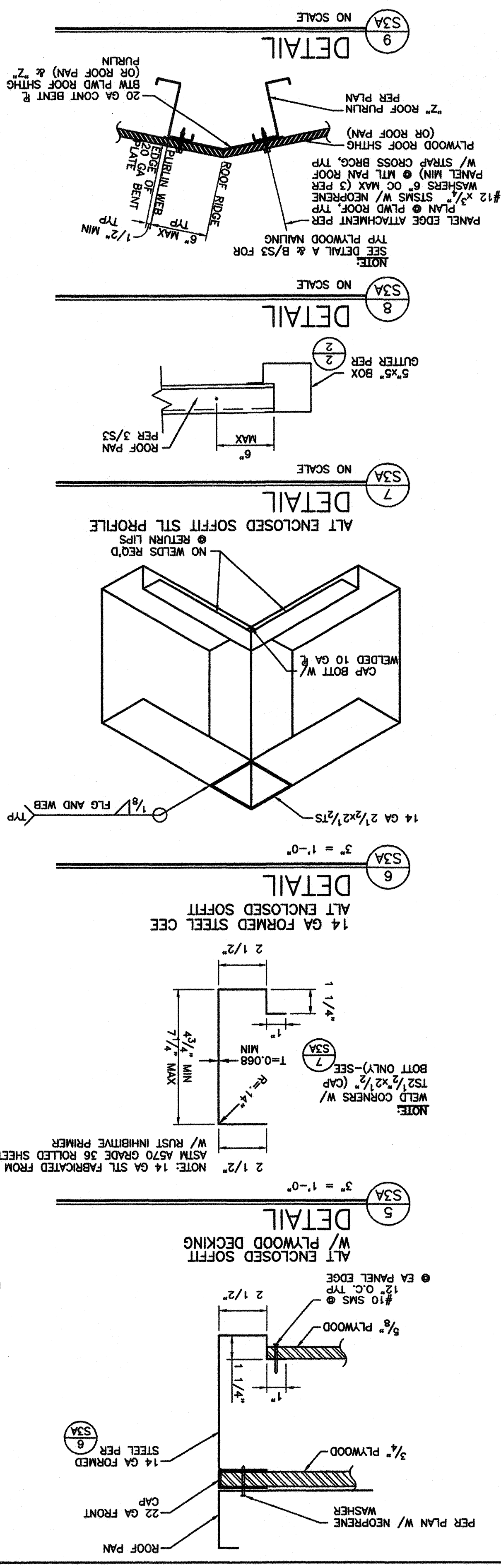
DATE: 5/30/03
 SCALE: REM
 DRAWN BY: RJC
 CHECKED BY: KAL
 SERIAL NO.

NO	DATE	DESCRIPTION

REVISIONS

NO	DATE	DESCRIPTION

PROJECT NO. 02156-13
 SHEET NO. S3A



IDENTIFICATION STAMP
 DIV. OF THE STATE ARCHITECT
 DATE: APR 9-9-2008
 AC FLS
 111734
 02-10421

Professional Engineer
 State of California
 No. C 12631
 Exp. 3-31-05
 Renewal Expires