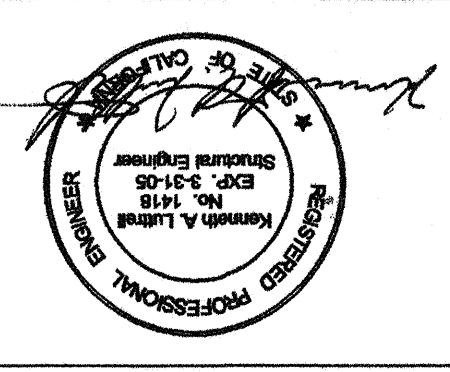


24'x40' TO 120'x40'  
2:12 PITCH ROOF  
EXPOSED STEEL  
RELOCATABLE CLASSROOM



777 Sandhills Ave., Manteca, CA 95336  
(209)225-1221 Fax: (209)225-7018  
americanmodular.com



ROOF FRAMING PLANS & DETAILS

CUSTOMER:

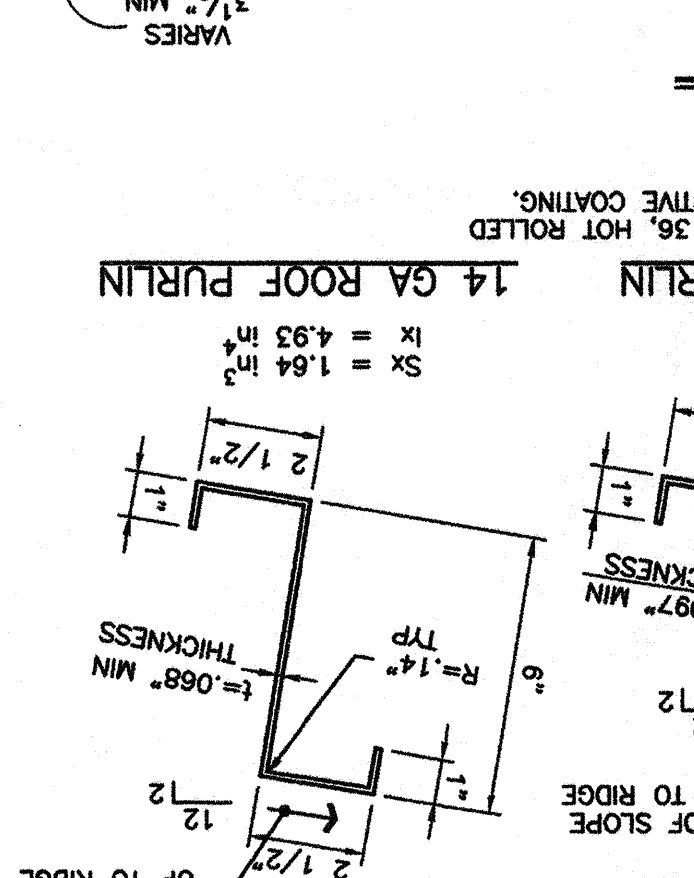
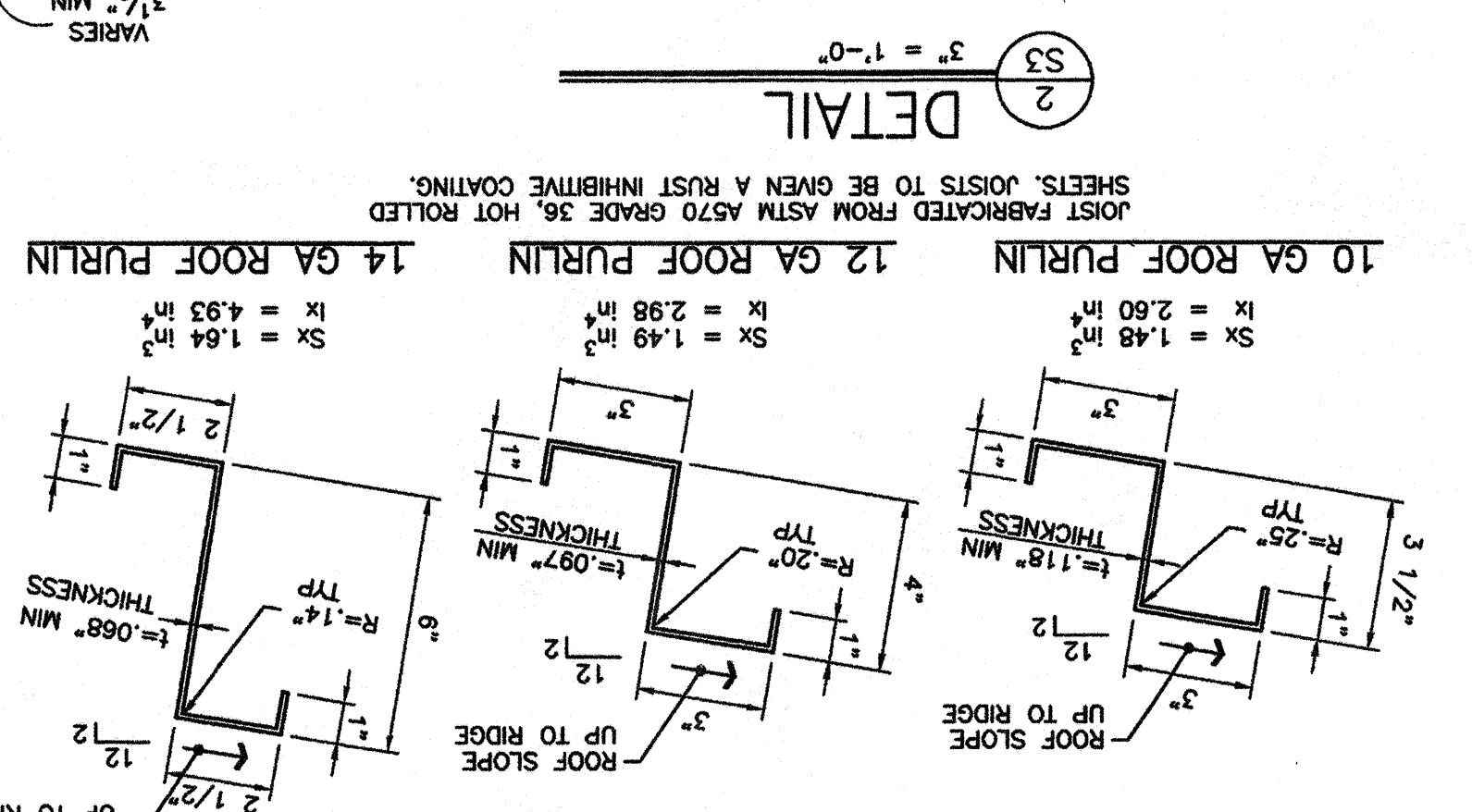
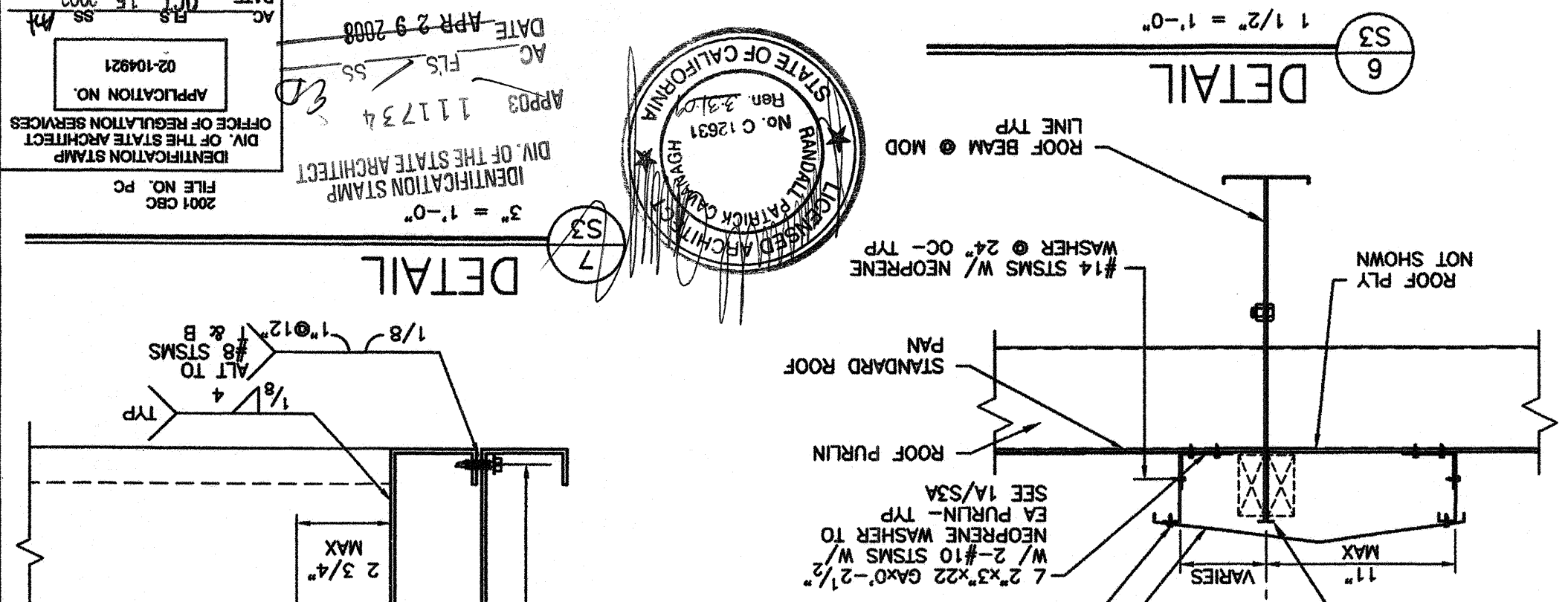
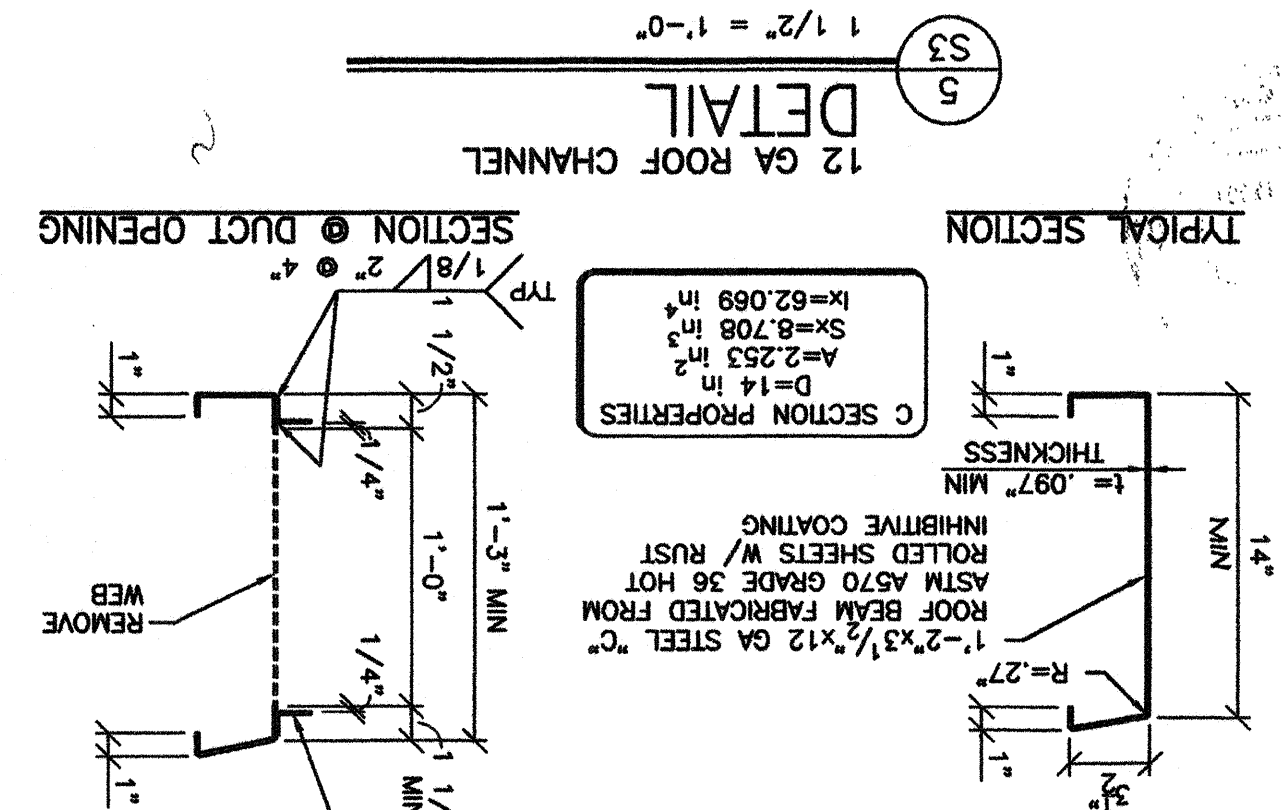
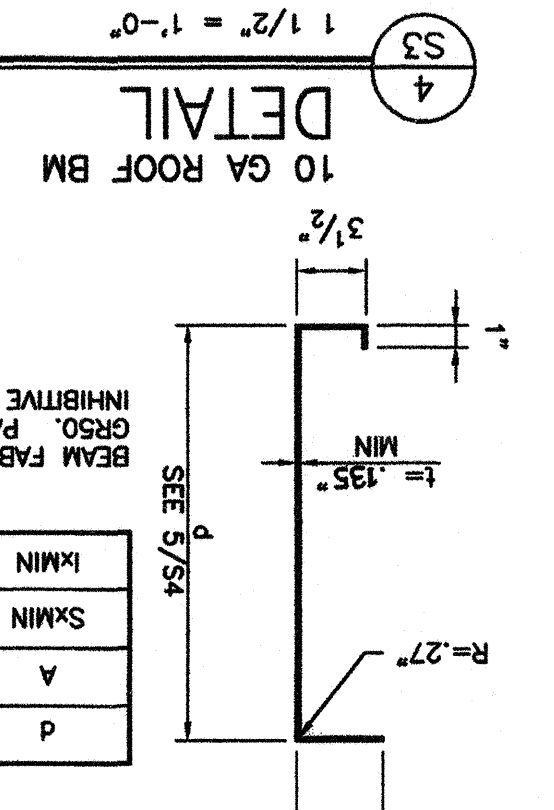
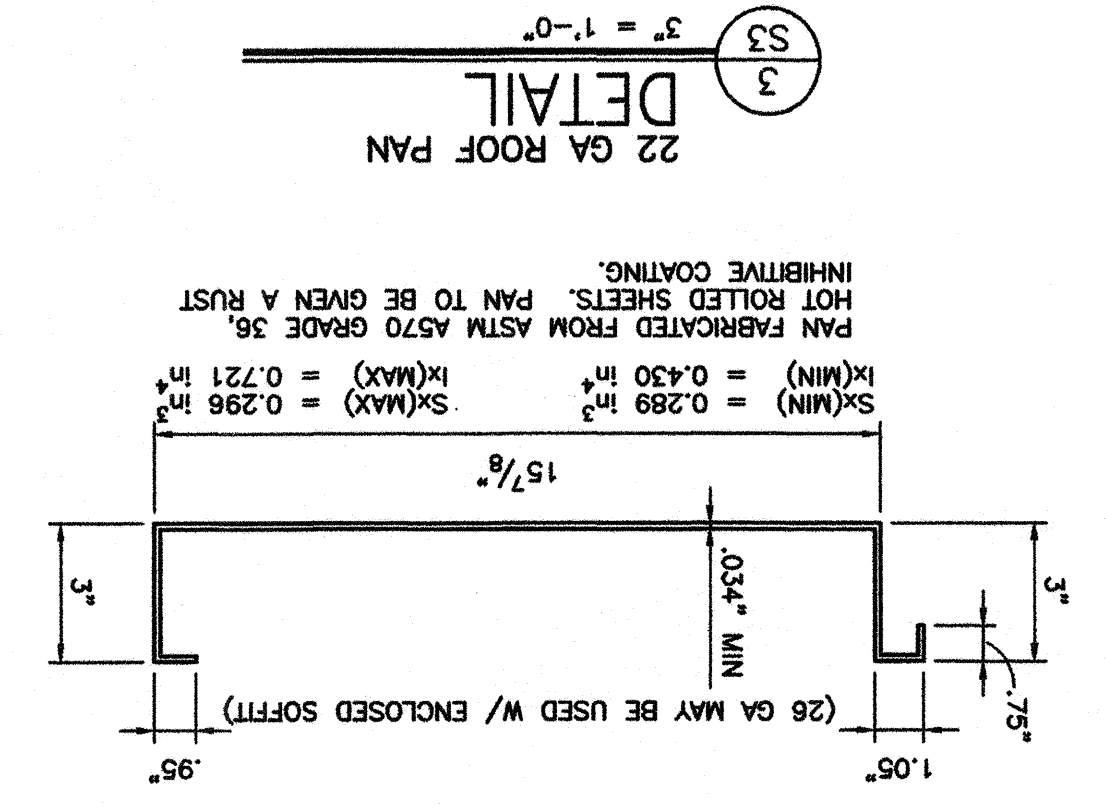
DATE: 5/30/03  
SCALE: REM  
DRAWN BY: REM  
DESIGNED BY: KAL  
CHECKED BY: KAL  
SERIAL NO.

NO	DATE	DESCRIPTION

REVISIONS

NO	DATE	DESCRIPTION

PROJECT NO. 02156-13  
SHEET NO. S3



MODULE SCHEDULE

BLDG SIZE (FT)	TOTAL # OF 12' MODULES	TOTAL # OF 12' MODULES	TOTAL WIDTH
24x40	2	0	23'-8"
30x40	2	0	29'-8"
36x40	2	0	35'-8"
42x40	2	0	41'-8"
48x40	2	0	47'-8"
54x40	2	0	53'-8"
60x40	2	0	59'-8"
66x40	2	0	65'-8"
72x40	2	0	71'-8"
78x40	2	0	77'-8"
84x40	2	0	83'-8"
90x40	2	0	89'-8"
96x40	2	0	95'-8"
102x40	2	0	101'-8"
108x40	2	0	107'-8"
114x40	2	0	113'-8"
120x40	2	0	119'-8"

