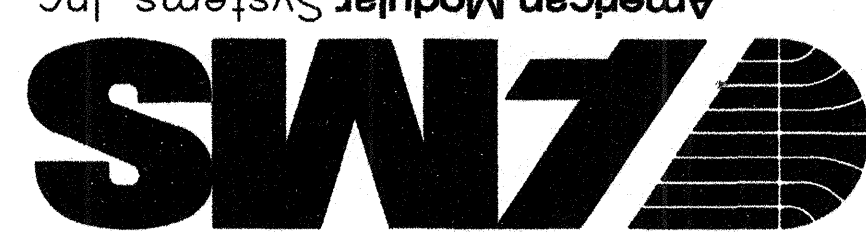
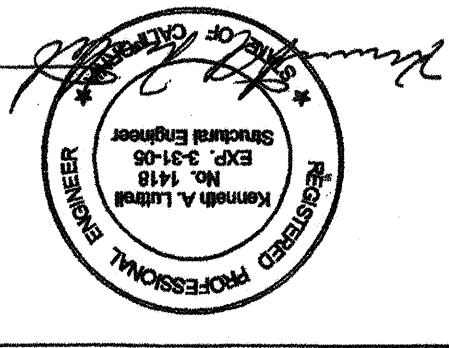


24'x40' TO 120'x40'
2:12 PITCH ROOF
EXPOSED STEEL
RELOCATABLE CLASSROOM



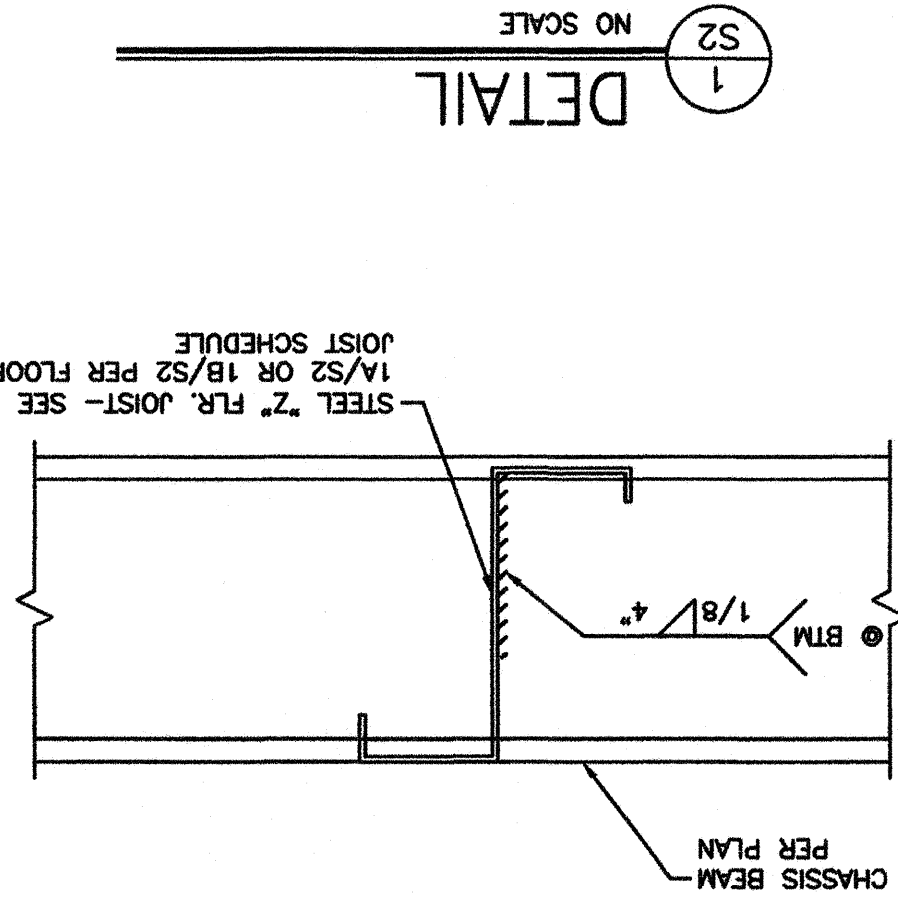
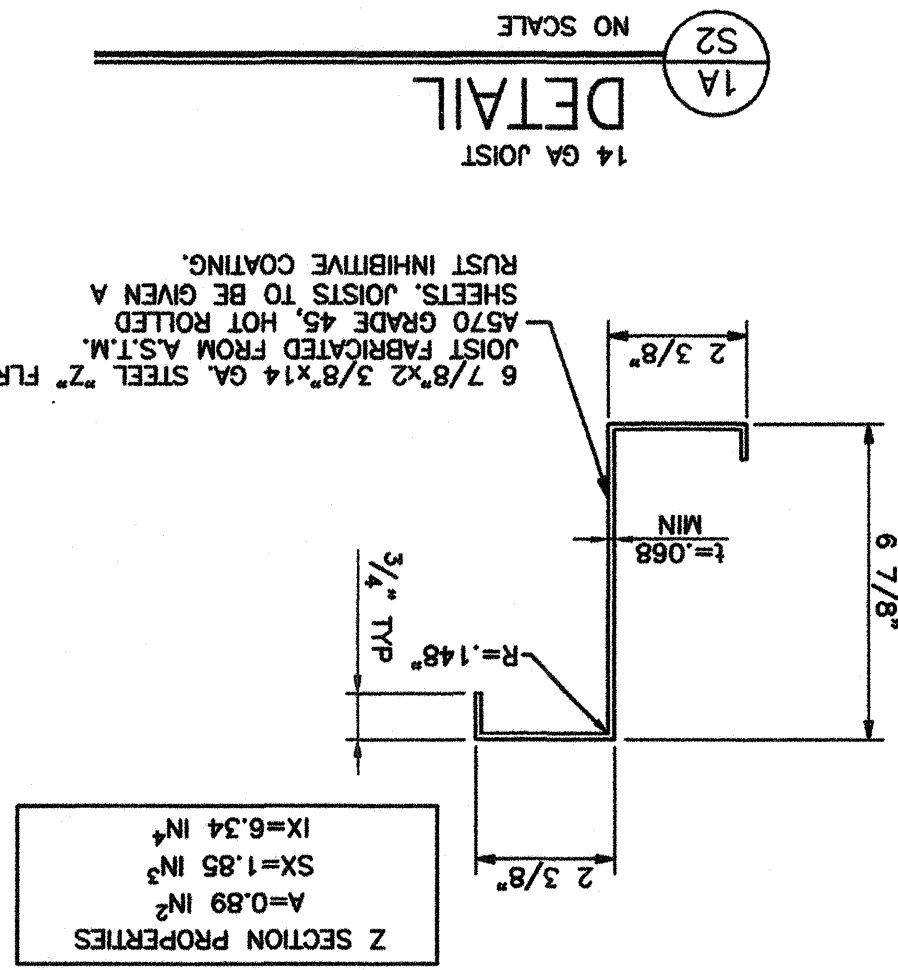
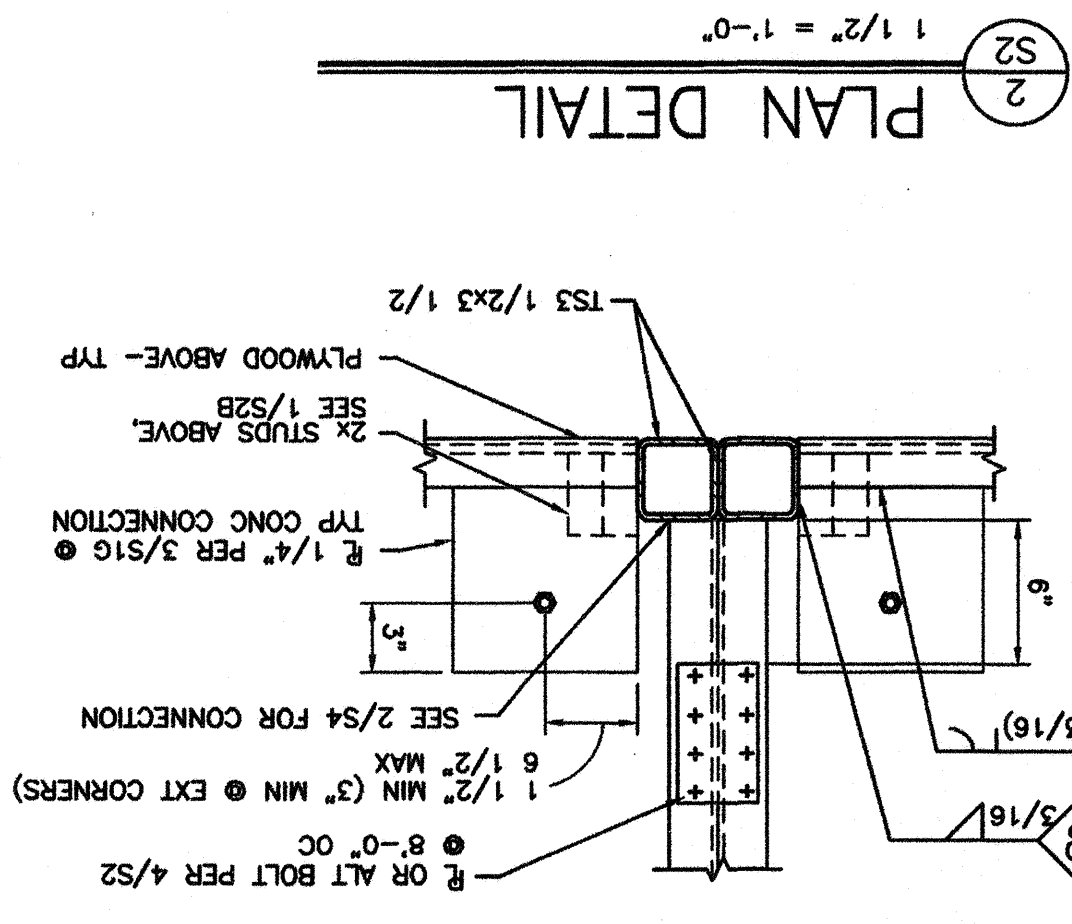
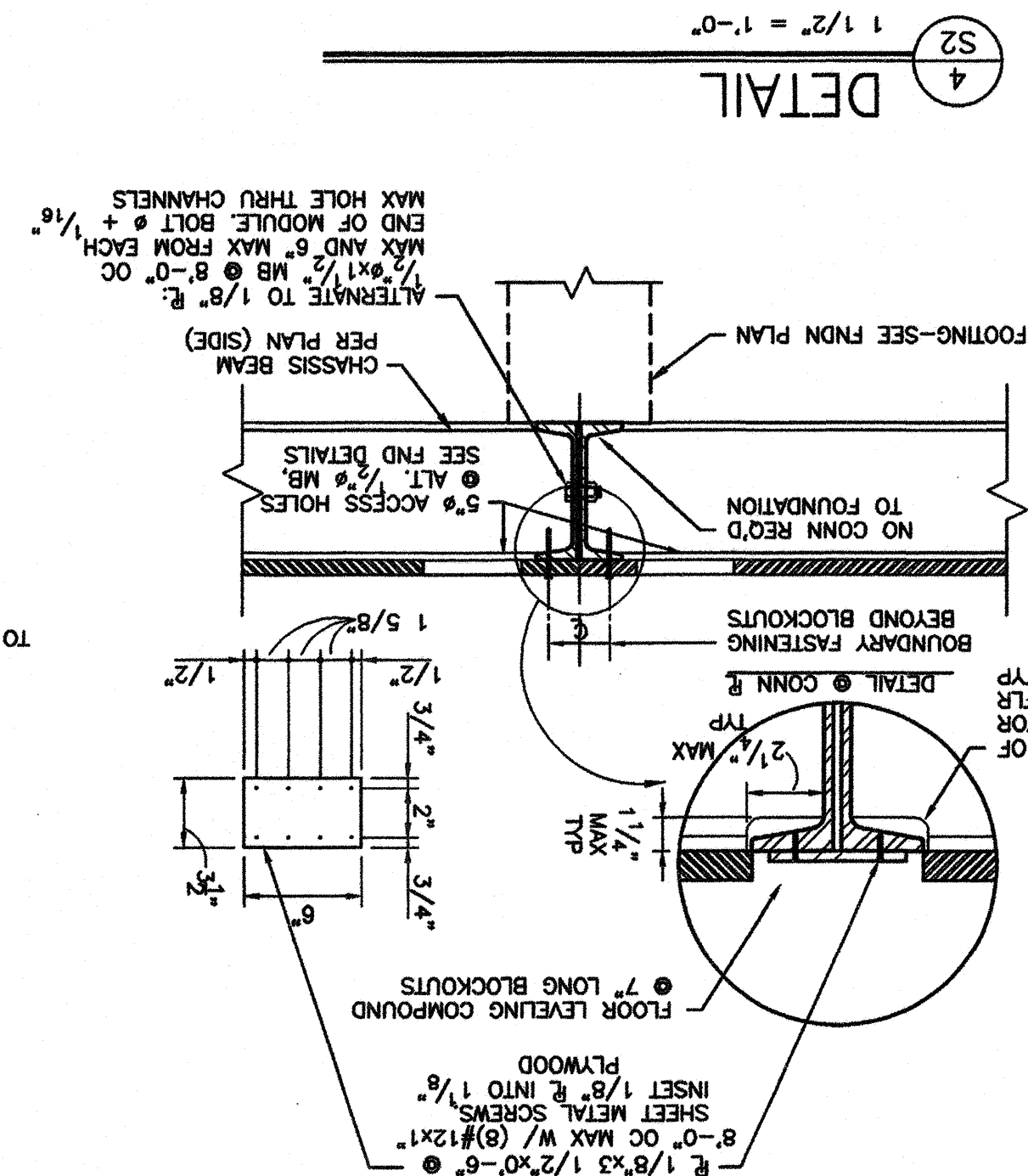
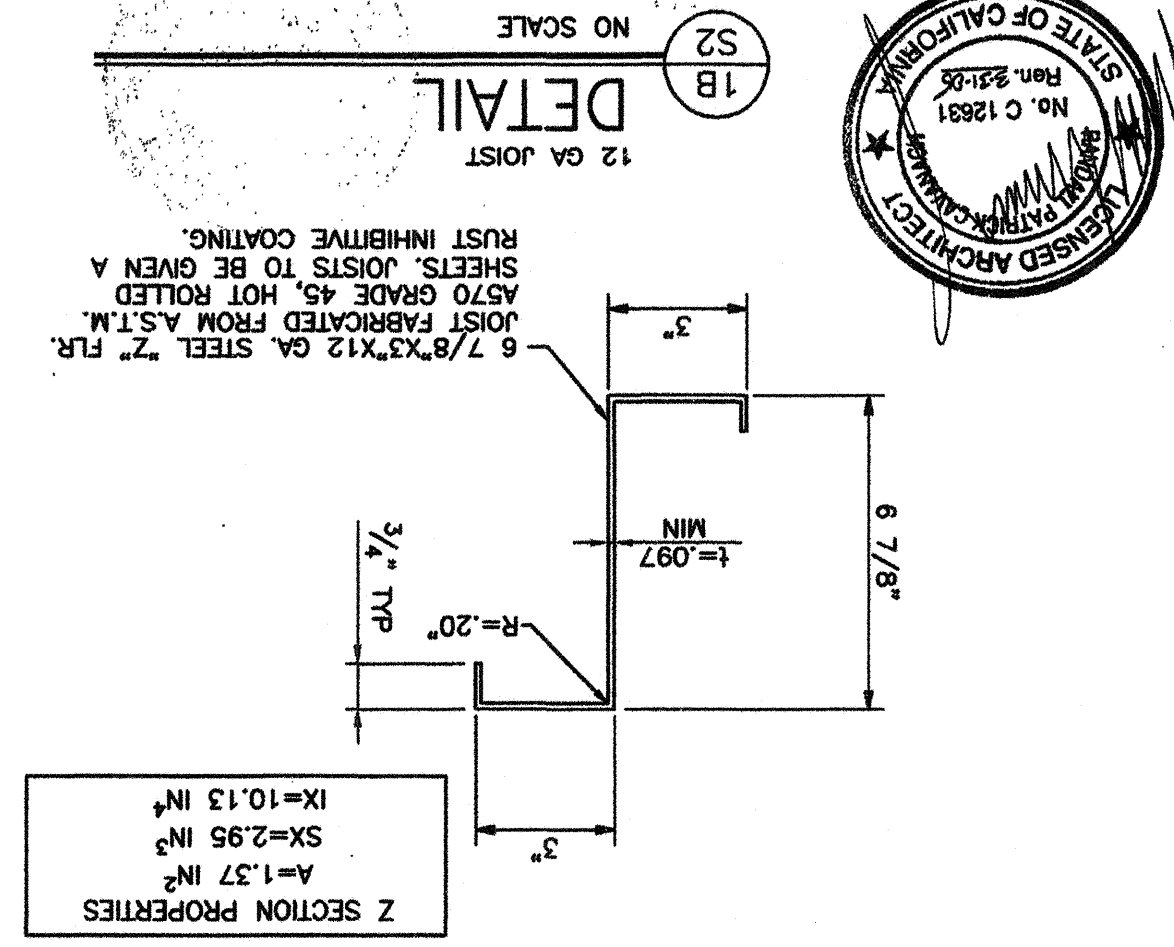
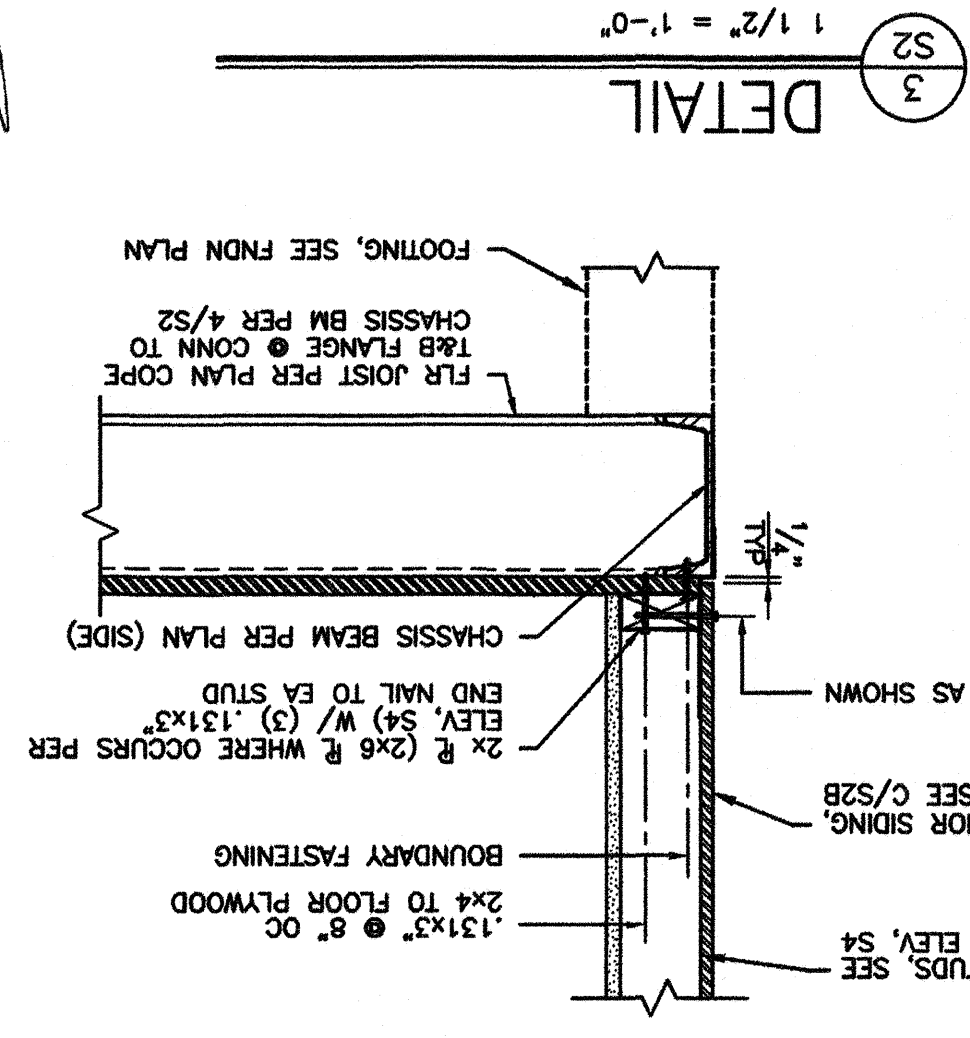
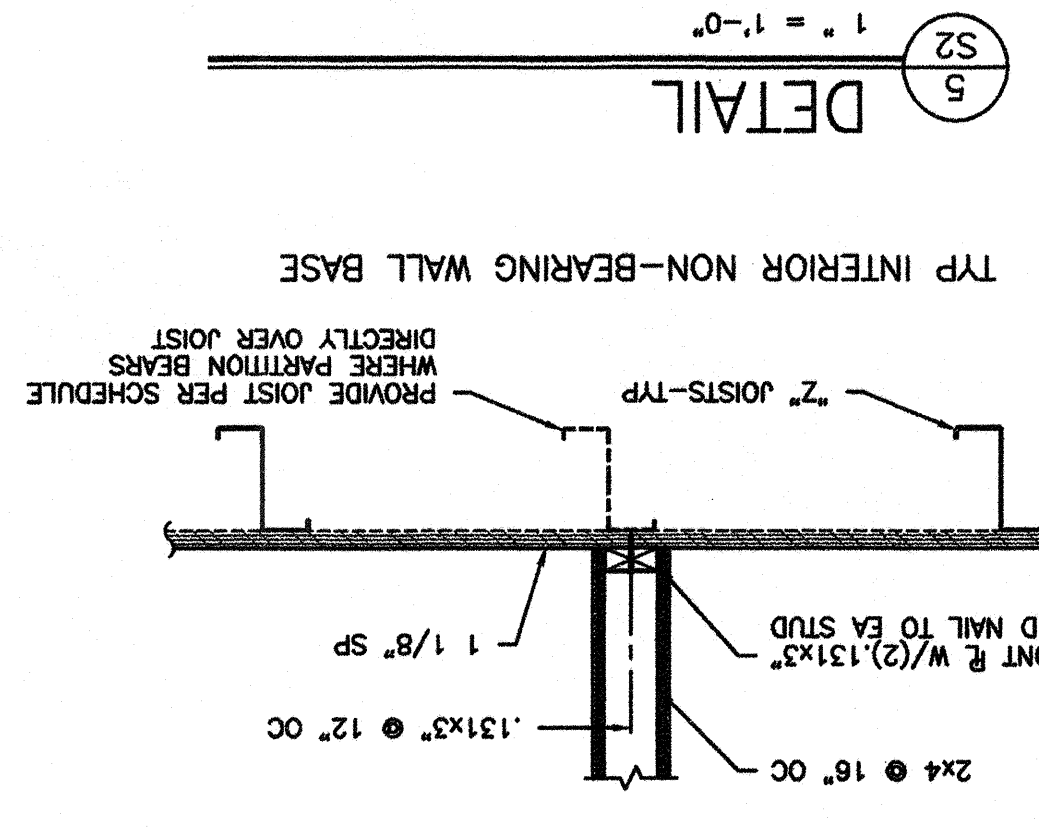
787 Sprindale Ave., Hawthorn, CA 95336
(925)825-1221 Fax: (925)825-7018
americanmodular.com



CUSTOMER: _____
FLOOR FRAMING PLAN & DETAILS
DATE: 5/30/03
SCALE: REM
DRAWN BY: RJG
DESIGNED BY: KAL
CHECKED BY: KAL
SERIAL NO. _____

PROJECT NO. 02156-13
SHEET NO. S2

NO	DATE	DESCRIPTION	NO	DATE	DESCRIPTION



FLOOR JOIST SCHEDULE

LOAD	14 GA JOIST	12 GA JOIST
LIVE	50 PSF	48 OC
SPACING	14 GA JOIST	12 GA JOIST
	48 OC	48 OC
	14 GA JOIST	12 GA JOIST
	48 OC	48 OC
	14 GA JOIST	12 GA JOIST
	48 OC	48 OC
	14 GA JOIST	12 GA JOIST
	48 OC	48 OC
	14 GA JOIST	12 GA JOIST
	48 OC	48 OC
	14 GA JOIST	12 GA JOIST
	48 OC	48 OC

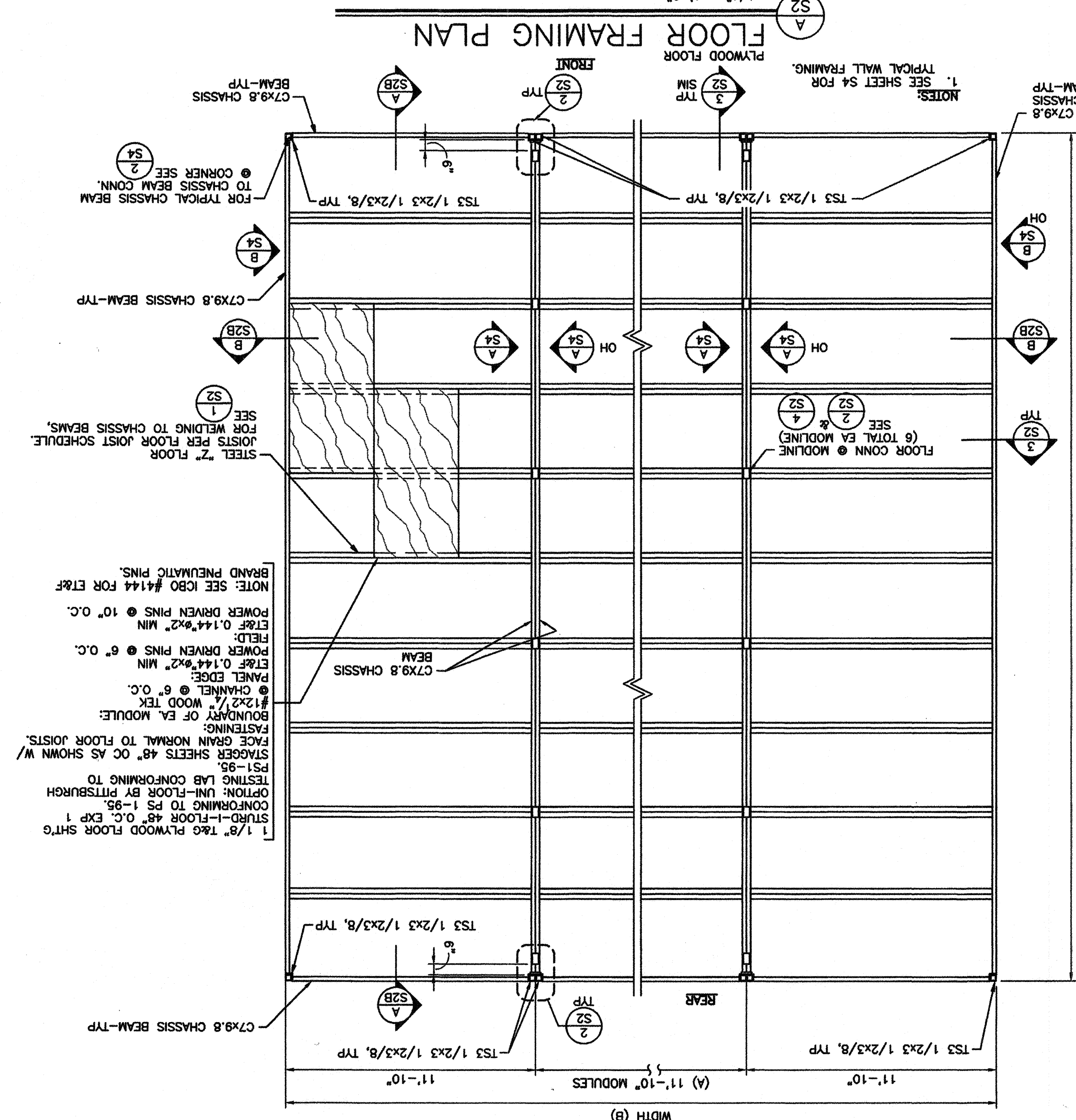
MODULE SCHEDULE

BLDG #	TOTAL # OF 12' WIDE MODULES	BLDG TOTAL WIDTH
1	2	24'-0"
2	2	24'-0"
3	2	24'-0"
4	2	24'-0"
5	2	24'-0"
6	2	24'-0"
7	2	24'-0"
8	2	24'-0"
9	2	24'-0"
10	2	24'-0"
11	2	24'-0"
12	2	24'-0"
13	2	24'-0"
14	2	24'-0"
15	2	24'-0"
16	2	24'-0"
17	2	24'-0"
18	2	24'-0"
19	2	24'-0"
20	2	24'-0"
21	2	24'-0"
22	2	24'-0"
23	2	24'-0"
24	2	24'-0"
25	2	24'-0"
26	2	24'-0"
27	2	24'-0"
28	2	24'-0"
29	2	24'-0"
30	2	24'-0"
31	2	24'-0"
32	2	24'-0"
33	2	24'-0"
34	2	24'-0"
35	2	24'-0"
36	2	24'-0"
37	2	24'-0"
38	2	24'-0"
39	2	24'-0"
40	2	24'-0"
41	2	24'-0"
42	2	24'-0"
43	2	24'-0"
44	2	24'-0"
45	2	24'-0"
46	2	24'-0"
47	2	24'-0"
48	2	24'-0"
49	2	24'-0"
50	2	24'-0"
51	2	24'-0"
52	2	24'-0"
53	2	24'-0"
54	2	24'-0"
55	2	24'-0"
56	2	24'-0"
57	2	24'-0"
58	2	24'-0"
59	2	24'-0"
60	2	24'-0"
61	2	24'-0"
62	2	24'-0"
63	2	24'-0"
64	2	24'-0"
65	2	24'-0"
66	2	24'-0"
67	2	24'-0"
68	2	24'-0"
69	2	24'-0"
70	2	24'-0"
71	2	24'-0"
72	2	24'-0"
73	2	24'-0"
74	2	24'-0"
75	2	24'-0"
76	2	24'-0"
77	2	24'-0"
78	2	24'-0"
79	2	24'-0"
80	2	24'-0"
81	2	24'-0"
82	2	24'-0"
83	2	24'-0"
84	2	24'-0"
85	2	24'-0"
86	2	24'-0"
87	2	24'-0"
88	2	24'-0"
89	2	24'-0"
90	2	24'-0"
91	2	24'-0"
92	2	24'-0"
93	2	24'-0"
94	2	24'-0"
95	2	24'-0"
96	2	24'-0"
97	2	24'-0"
98	2	24'-0"
99	2	24'-0"
100	2	24'-0"

STATE OF CALIFORNIA
Professional Engineer
No. C 12831
Exp. 2/28/08
KAL

DATE: APR 29 2008
AC: FLS SSS
APP: 111734

DIV. OF THE STATE ARCHITECT
OFFICE OF THE STATE ARCHITECT
2001 CBC
FILE NO. PC
IDENTIFICATION STAMP



1 1/8\"/>