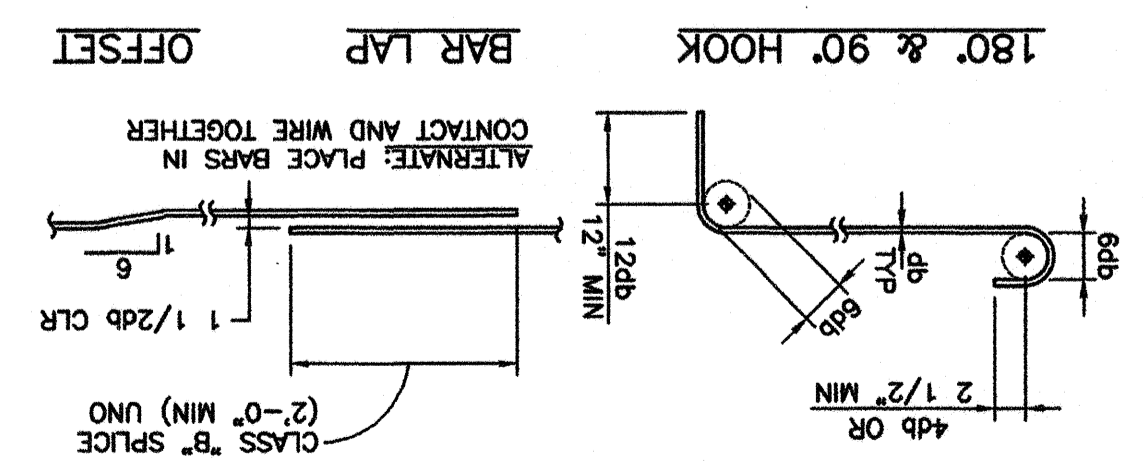


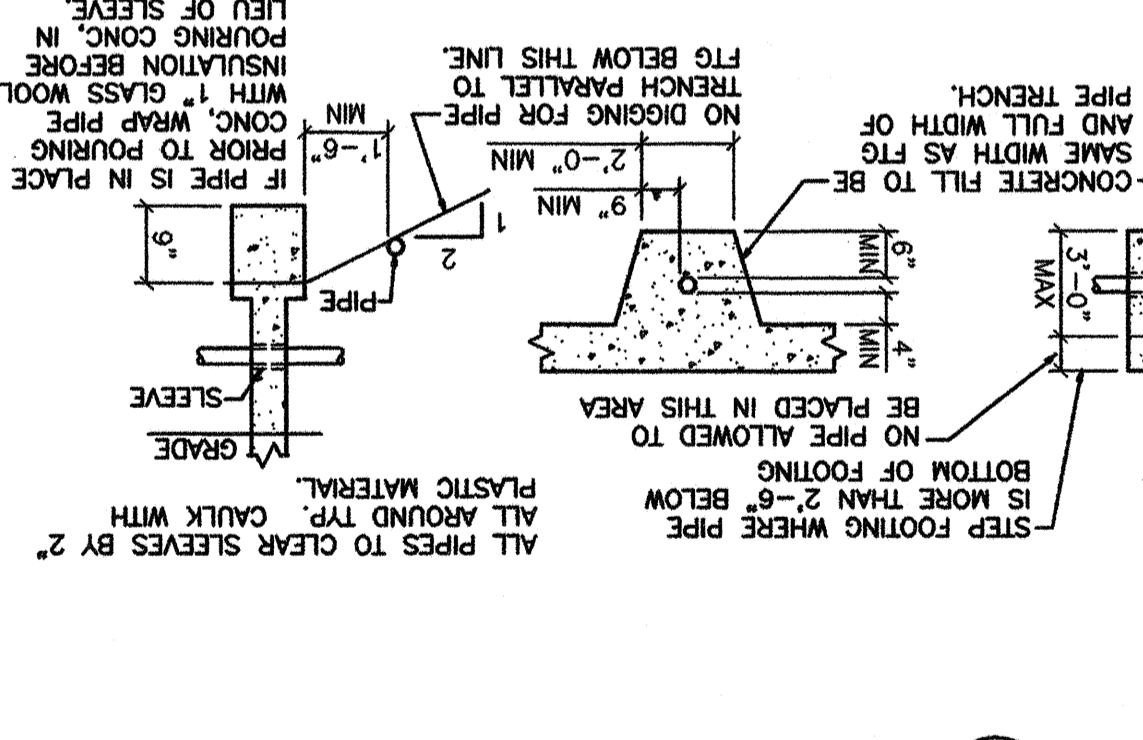
ANCHOR TYPE	ANCHOR SIZE (IN)	MIN EMBED (IN)	TENSION TEST (LB)	INSTALLATION TORQUE (FT-LB)	90
HILTI Kwik Bolt II	1/2"	5 5/8"	3000#	45	45
ICBO # 4827	3/8"	5 1/2"	3880#	95	60
ICBO # 3531	5/8"	4"	2796#	3000#	4032#

1. TENSION TEST - 1.6 x ALLOWABLE TENSILE LOAD PER IR 19-1
 2. NORMAL WEIGHT CONCRETE WITH f'c = 2500 PSI TO COMPLY WITH 1929A6

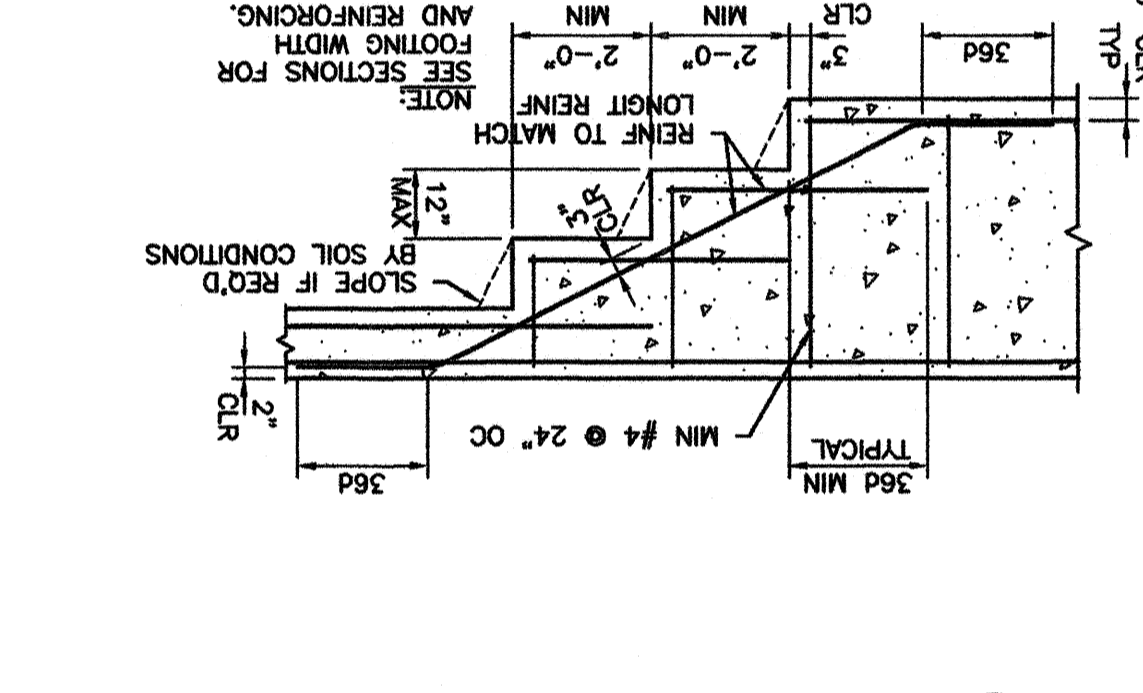
ANCHOR BOLT SCHEDULE



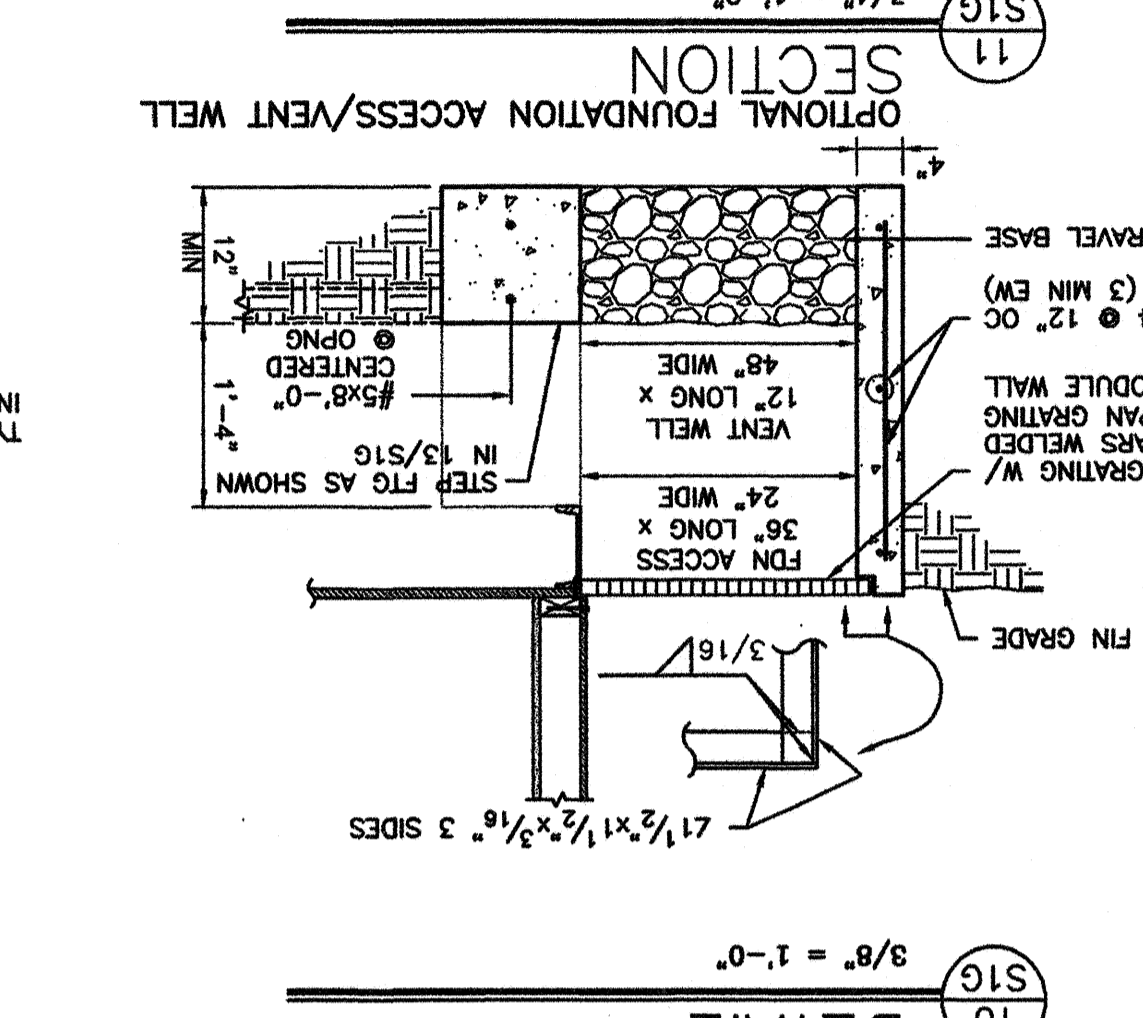
TYPICAL REINFORCING BENDS



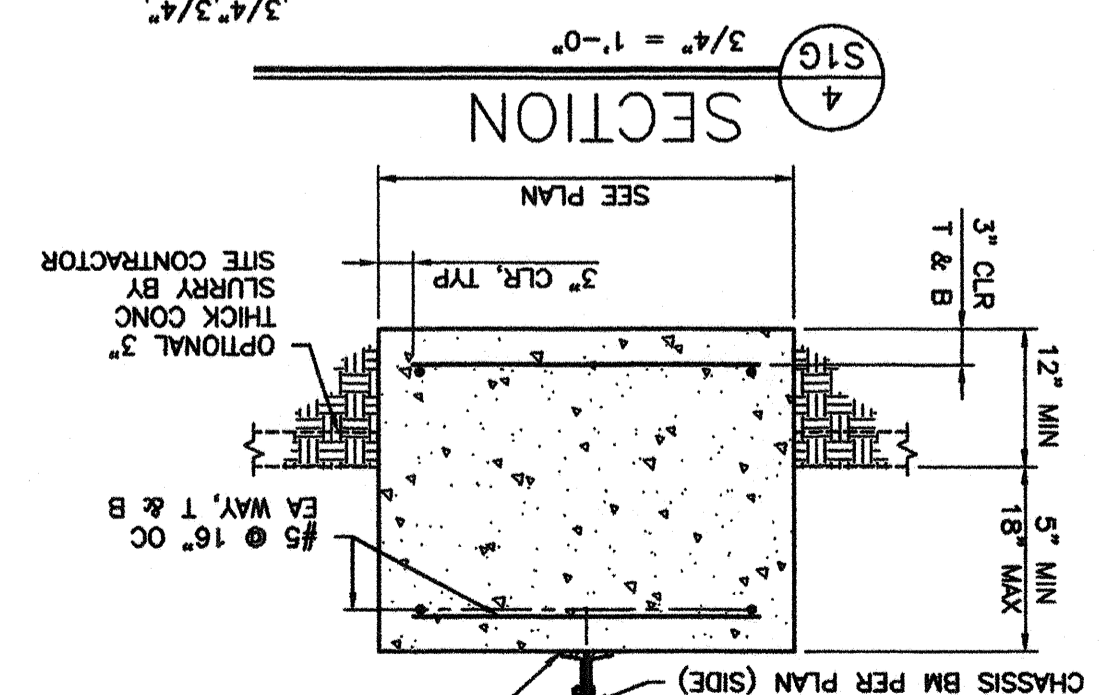
PIPE SLEEVE DETAIL



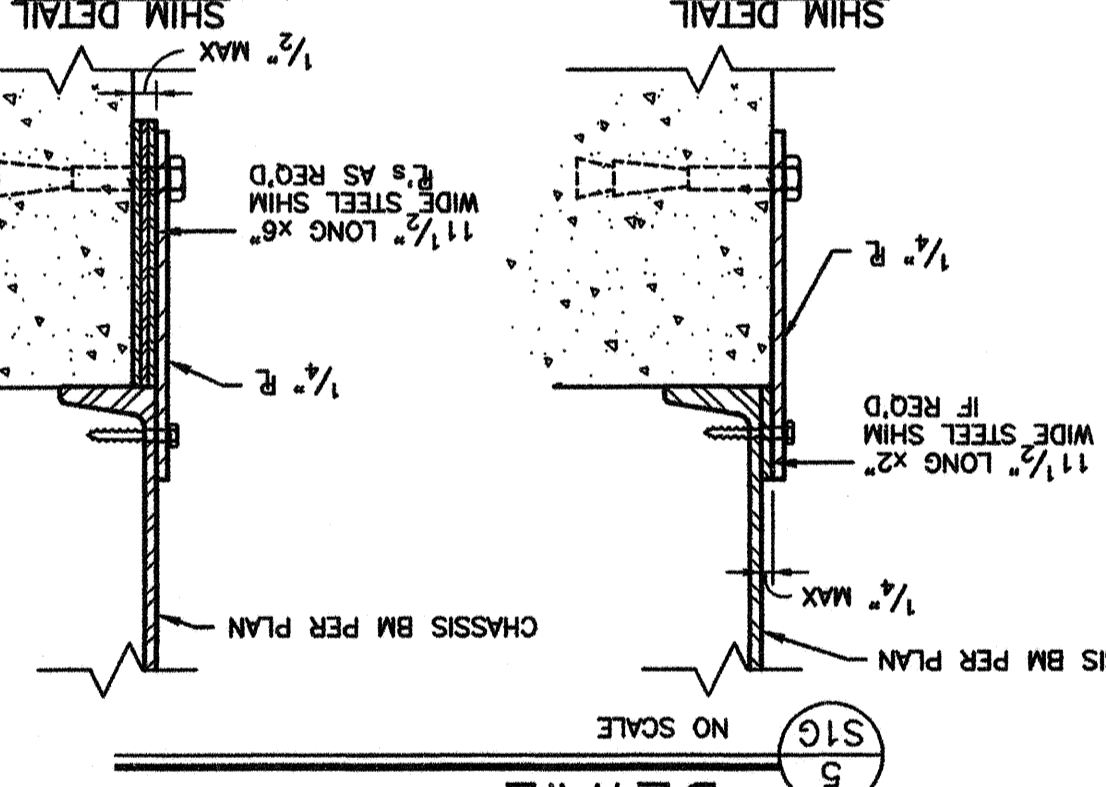
TYP STEPPED FOOTING DETAIL



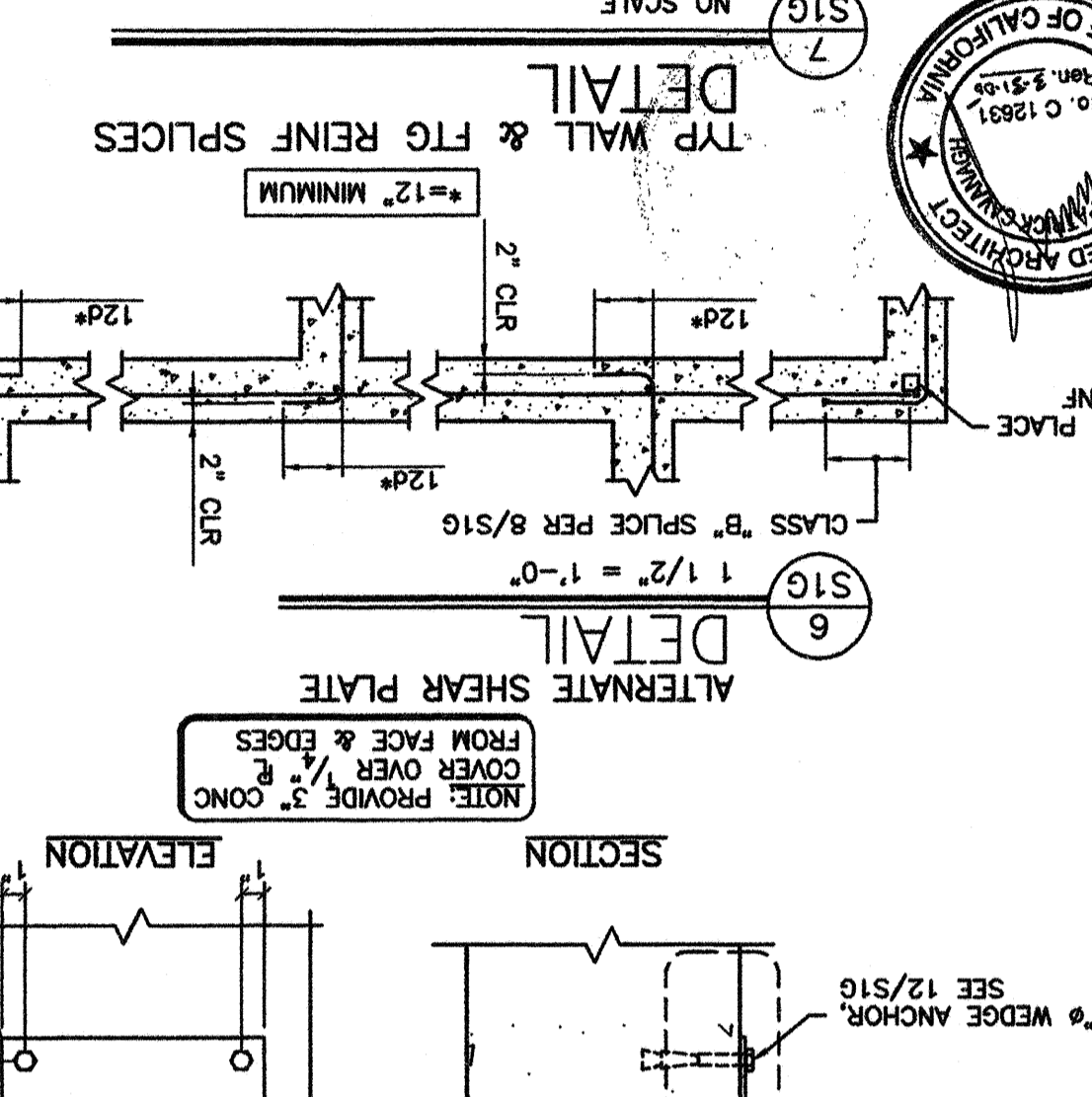
OPTIONAL FOUNDATION ACCESS/VENT WELL SECTION



FILTER ACCESS HOLE DETAIL

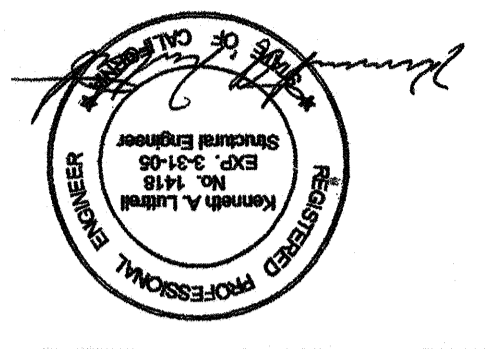
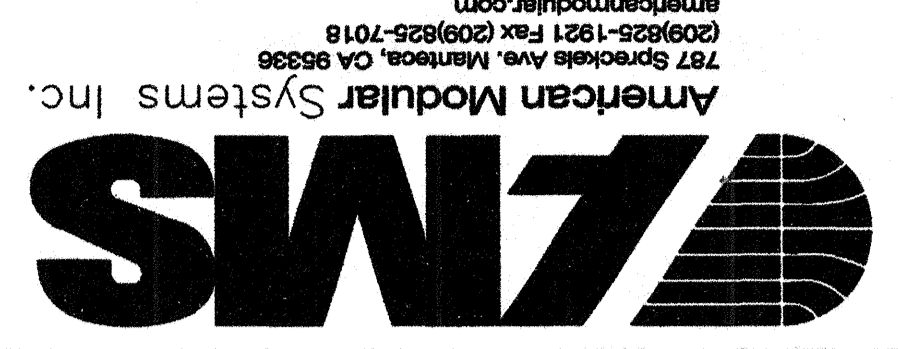


ALTERNATE SHEAR PLATE DETAIL



TYP WALL & FTG REINF SPICES DETAIL

24'x40' TO 120'x40'
 2:12 PITCH ROOF
 EXPOSED STEEL
 RELOCATABLE CLASSROOM



CUSTOMER:

CONCRETE FOUNDATION DETAILS

DATE: 5/30/03
 SCALE: REM
 DRAWN BY: RMG
 DESIGNED BY: KAL
 CHECKED BY: KAL
 SERIAL NO.:

REVISIONS

NO	DATE	DESCRIPTION

PROJECT NO. 02156-13
 SHEET NO. S16

