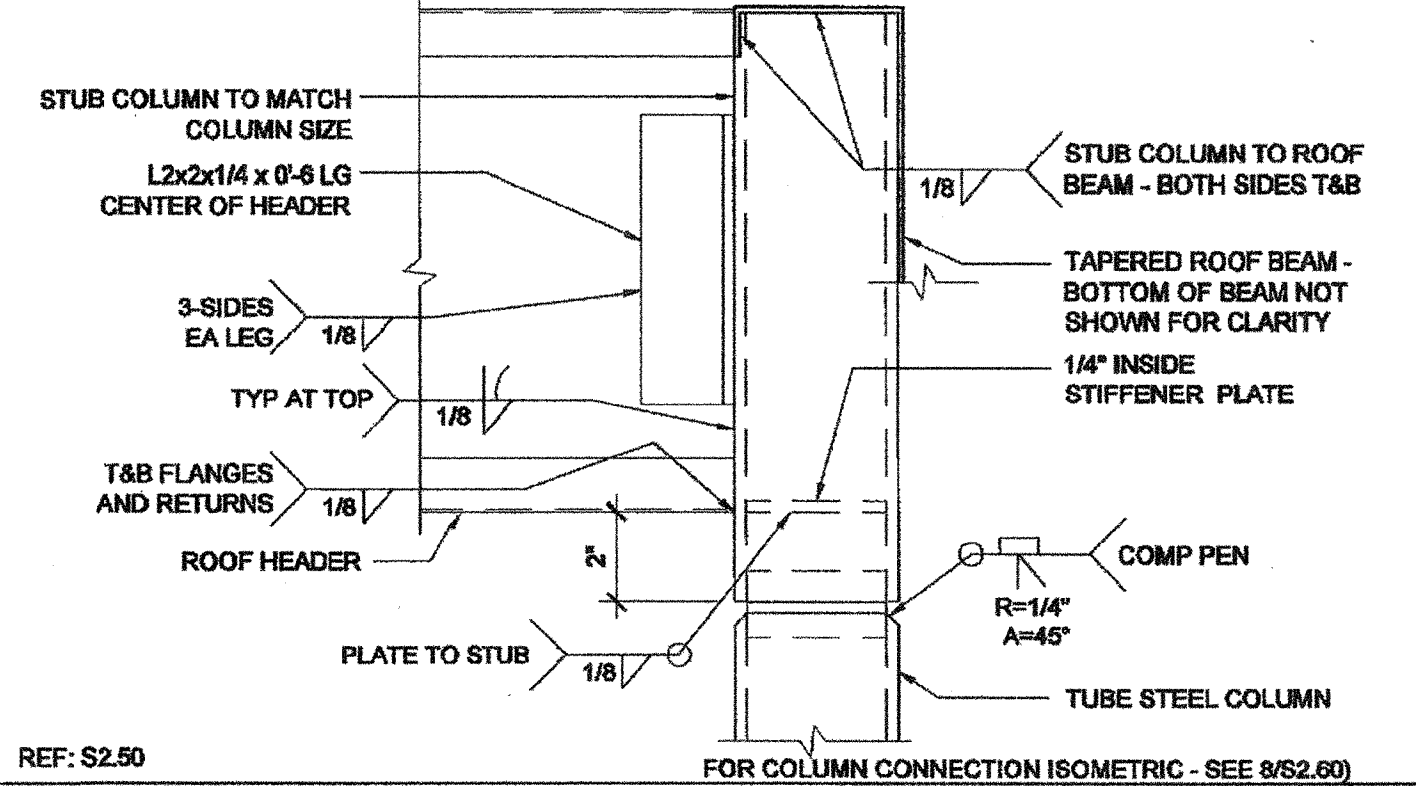
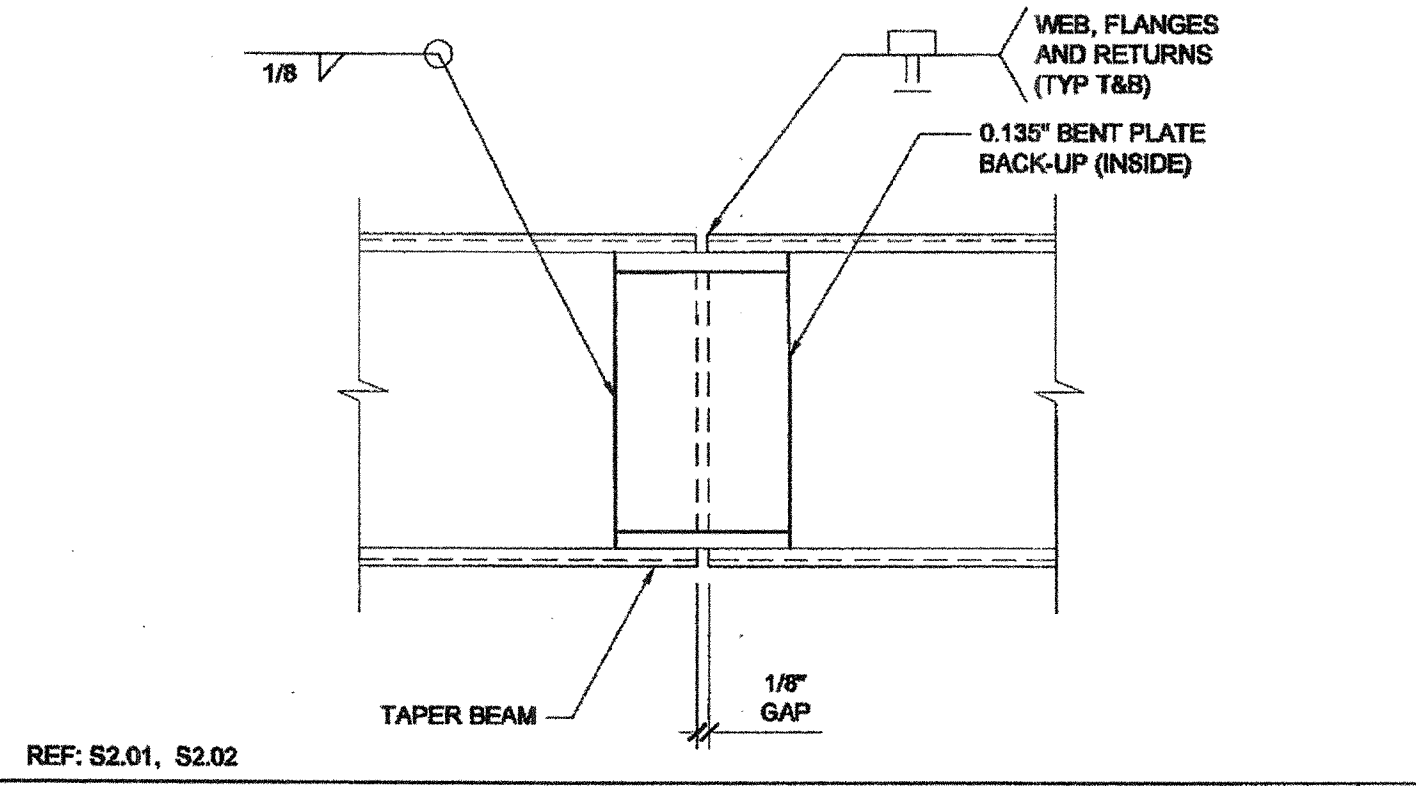
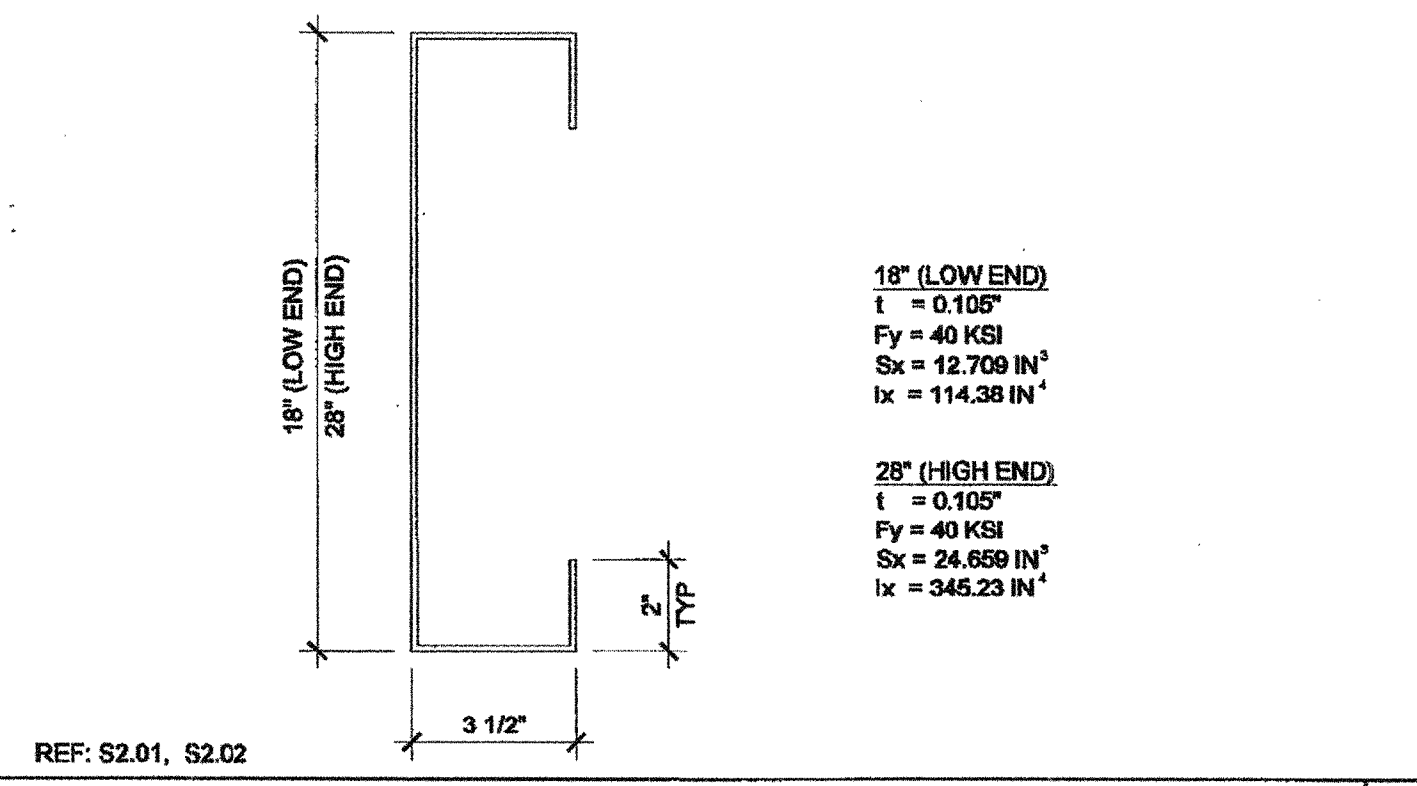
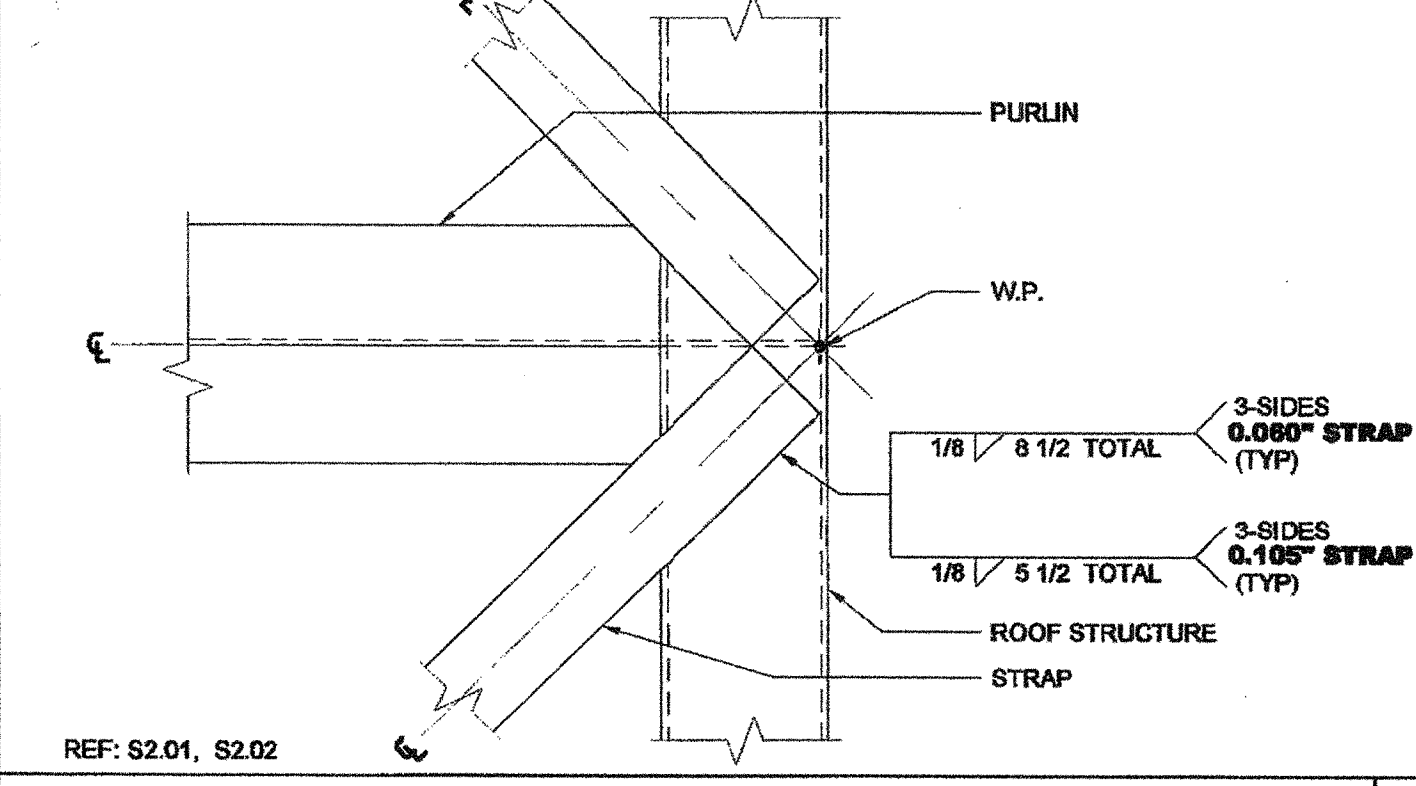


REF: S2.01, S2.02 SCALE: 3\"/>

REF: S2.01, S2.02 SCALE: 6\"/>

REF: S2.02 SCALE: 3\"/>

REF: S2.01, S2.02 SCALE: 3\"/>

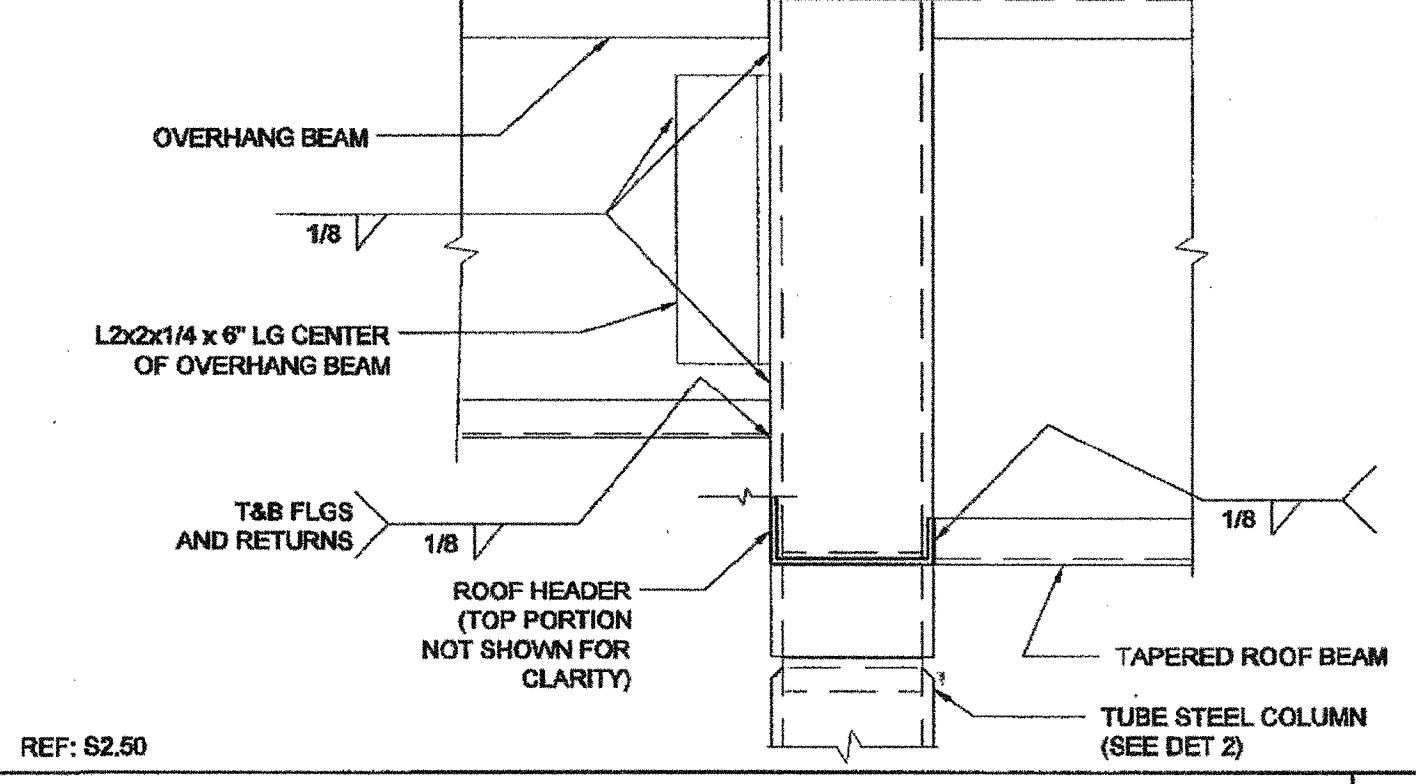
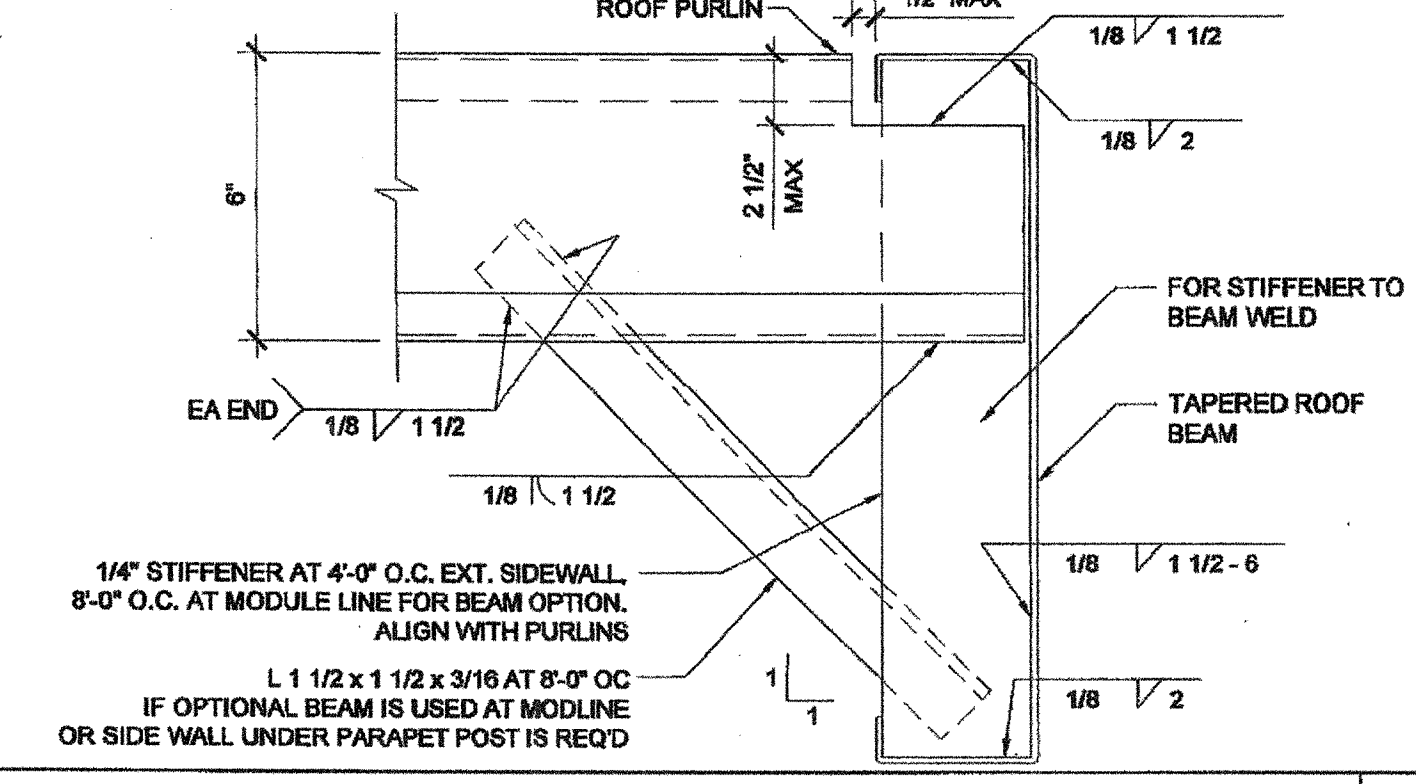
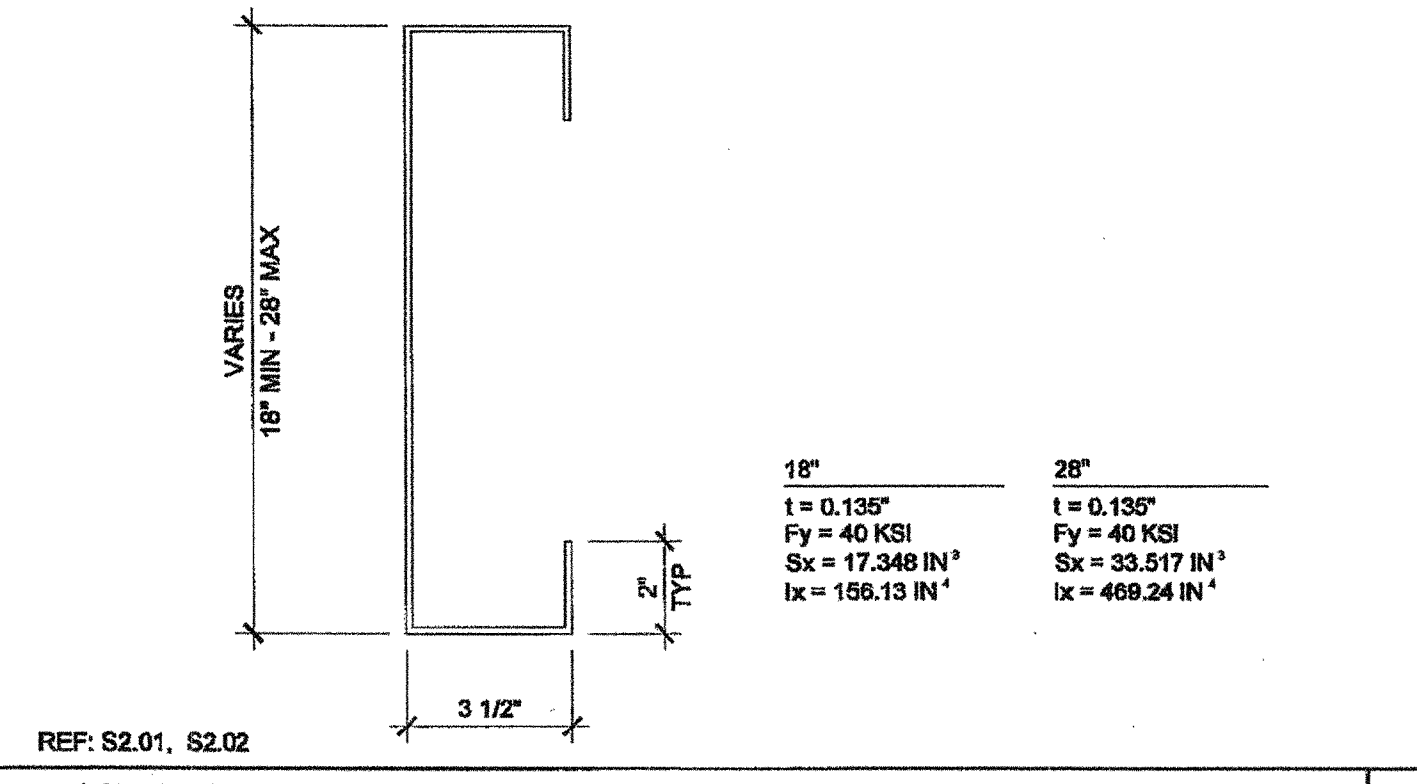
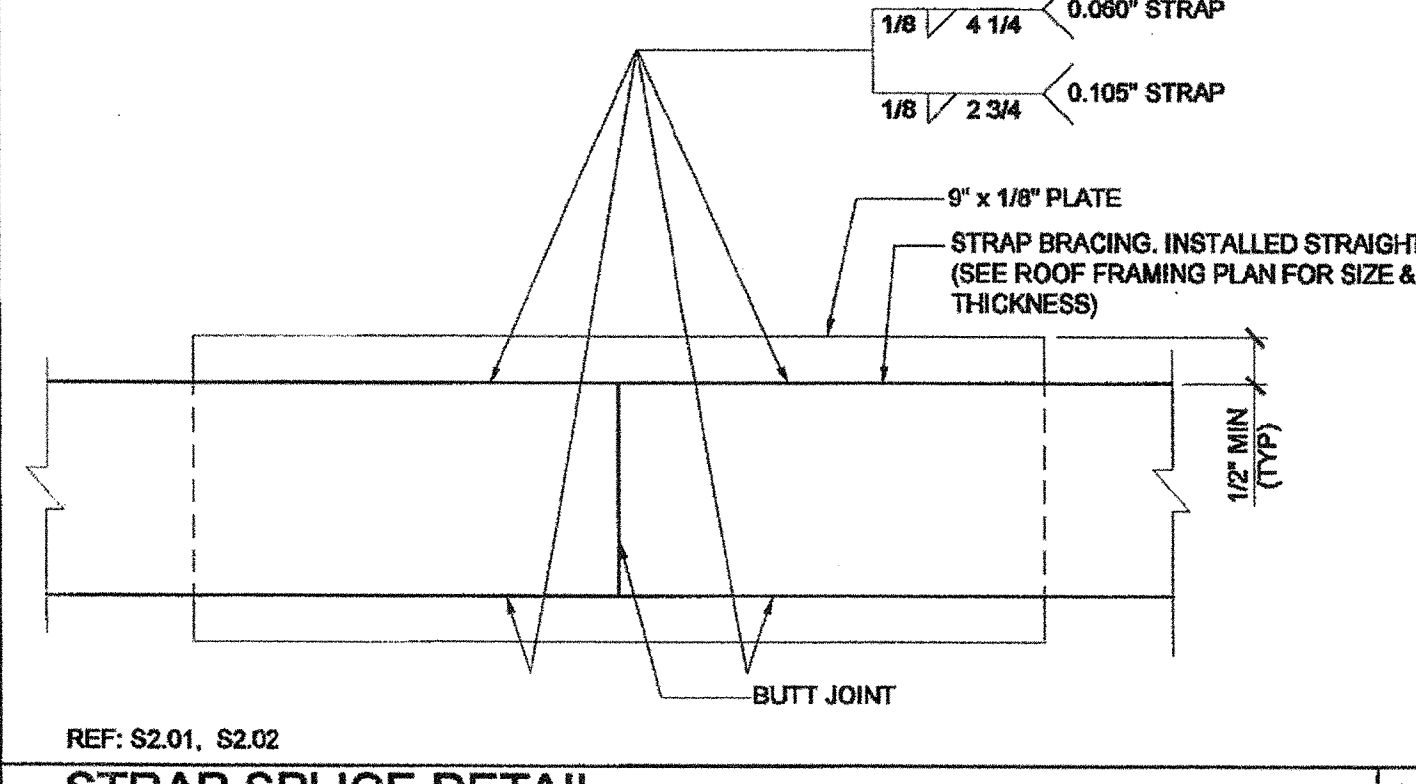


REF: S2.01, S2.02 SCALE: 3\"/>

REF: S2.01, S2.02 SCALE: NTS

REF: S2.01, S2.02 SCALE: 3\"/>

REF: S2.50 SCALE: 3\"/>

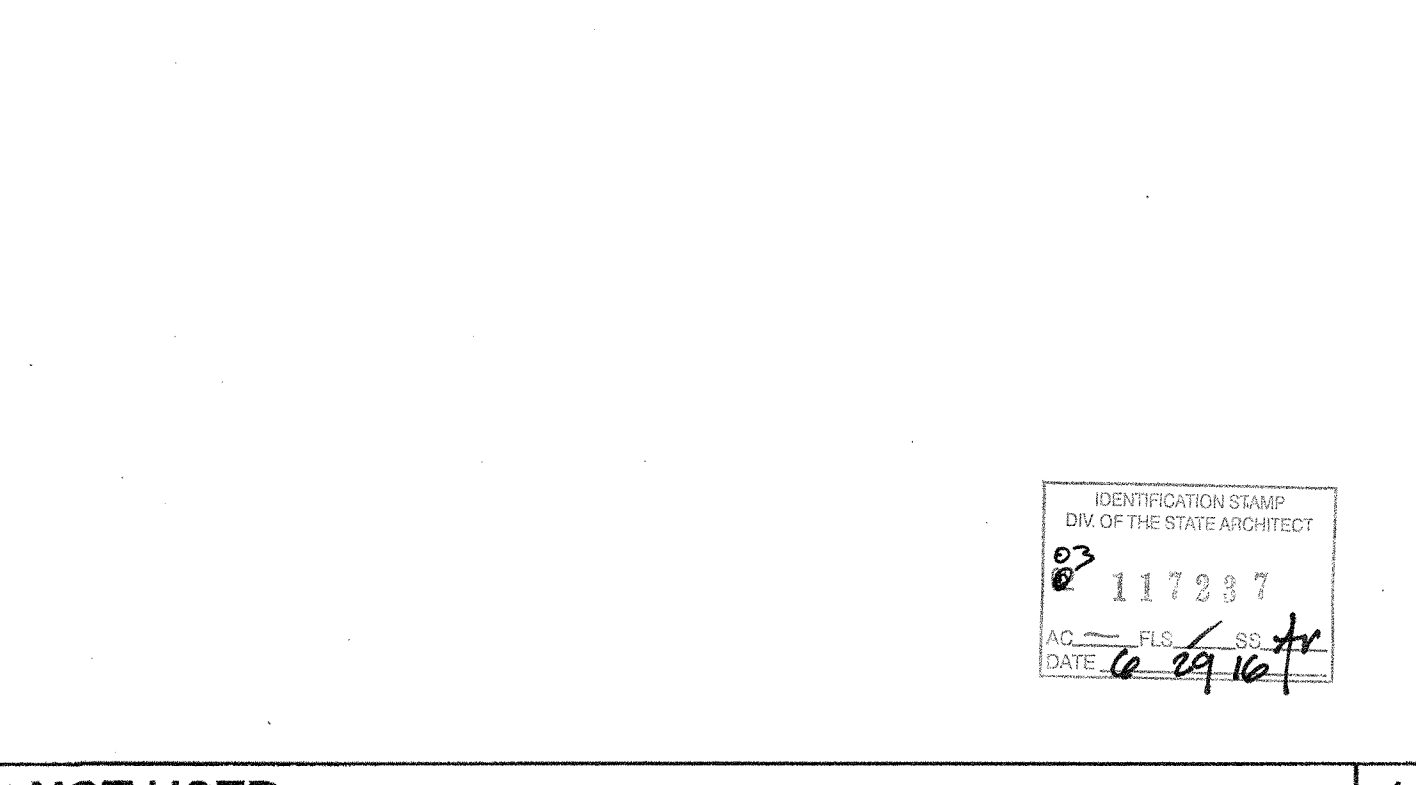
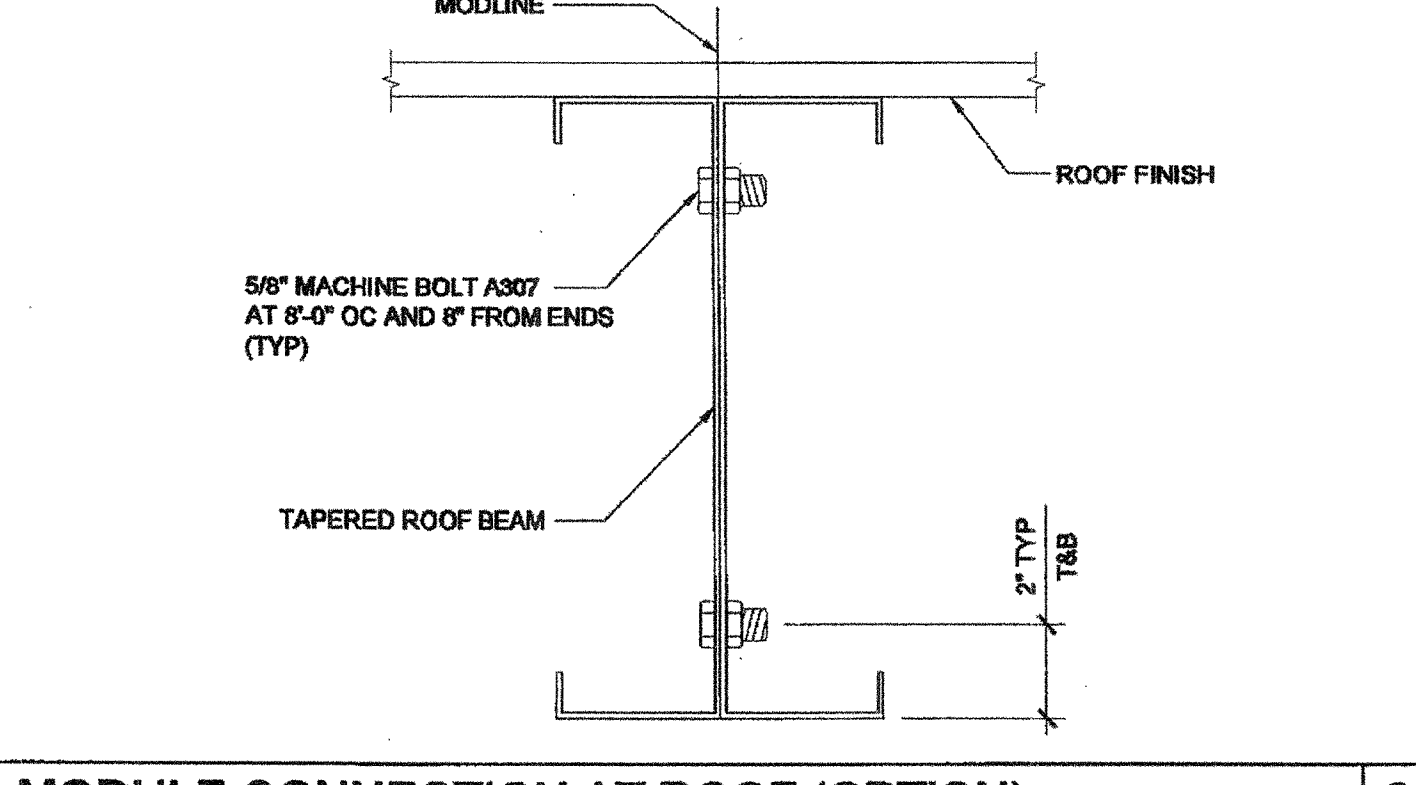
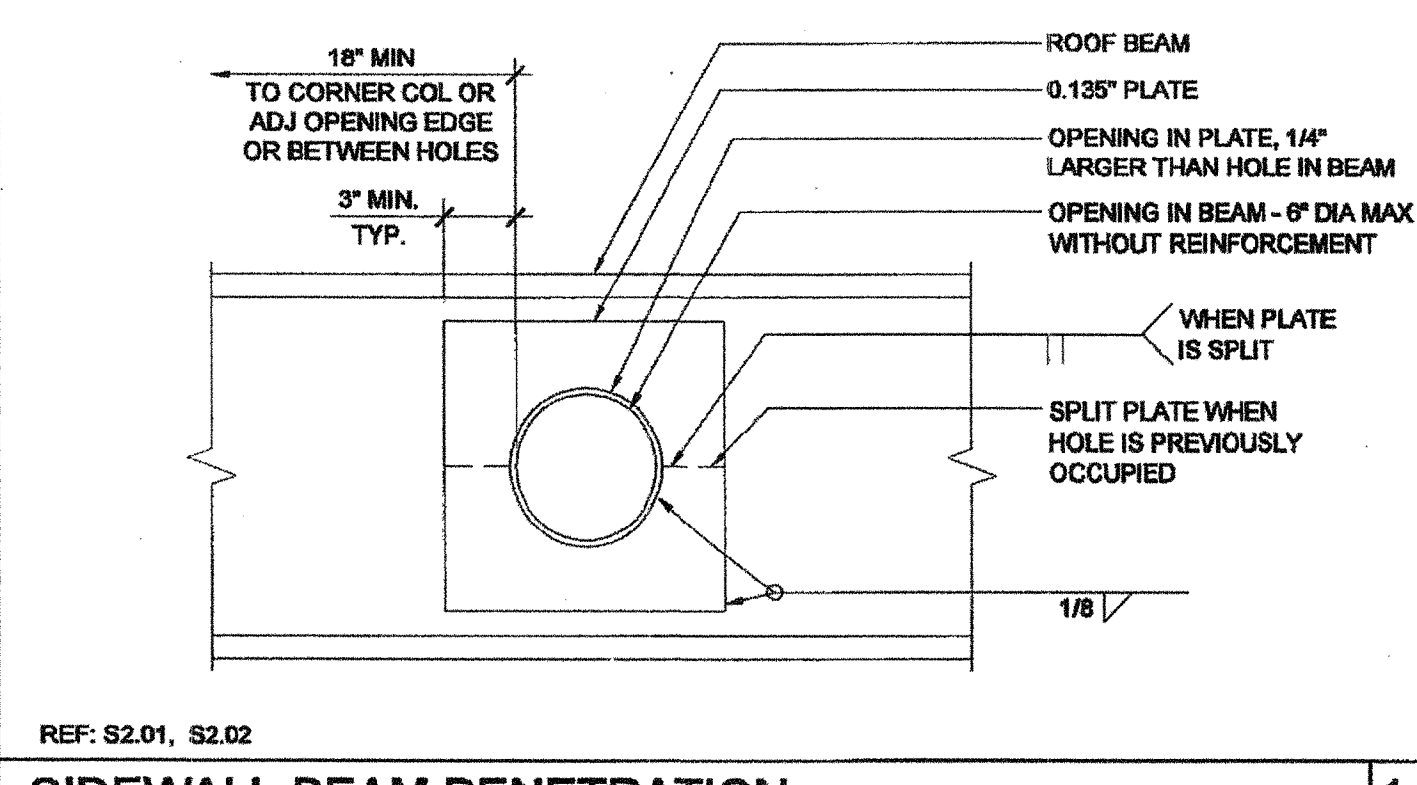
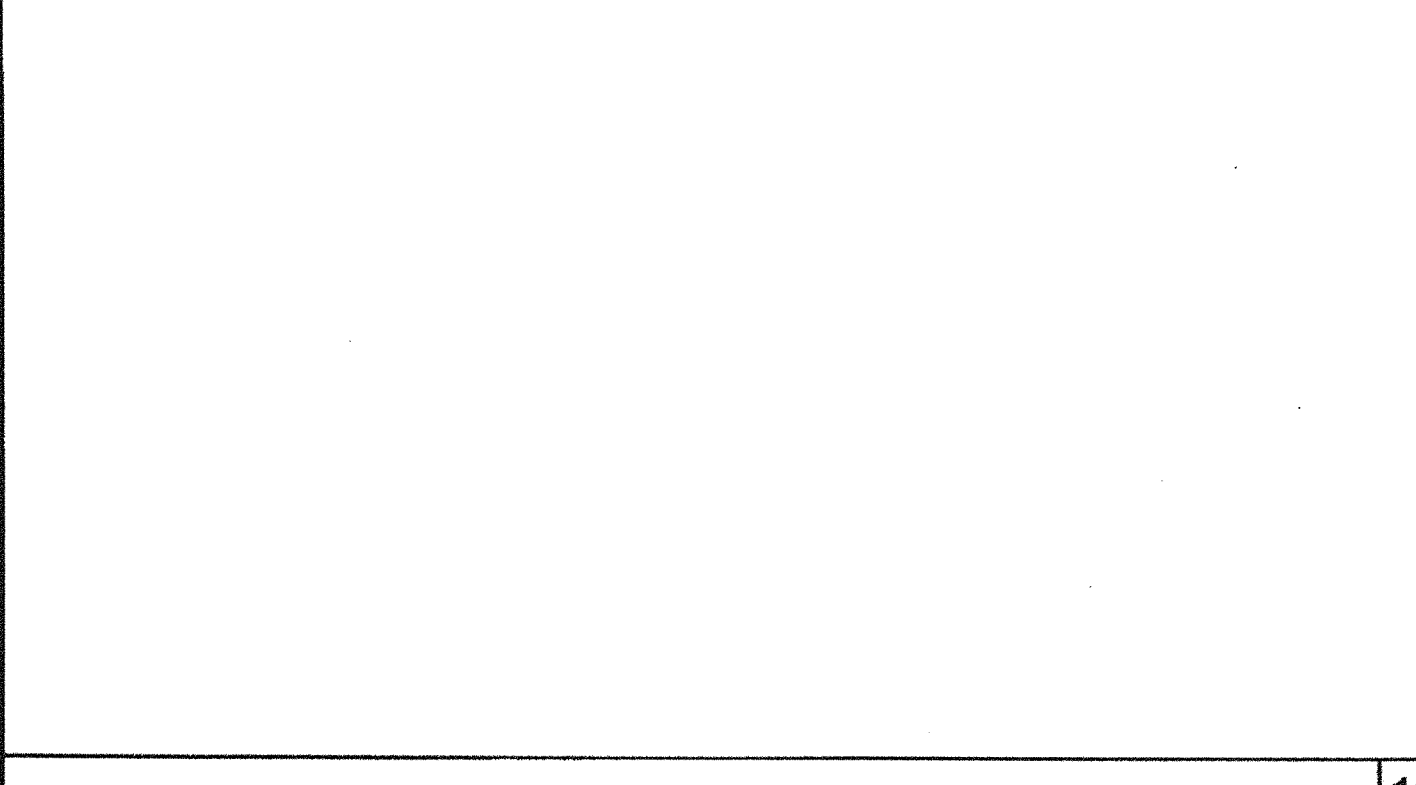


REF: S2.01, S2.02 SCALE: 6\"/>

REF: S2.01, S2.02 SCALE: NTS

REF: S2.01, S2.02 SCALE: 3\"/>

REF: S2.50 SCALE: 3\"/>

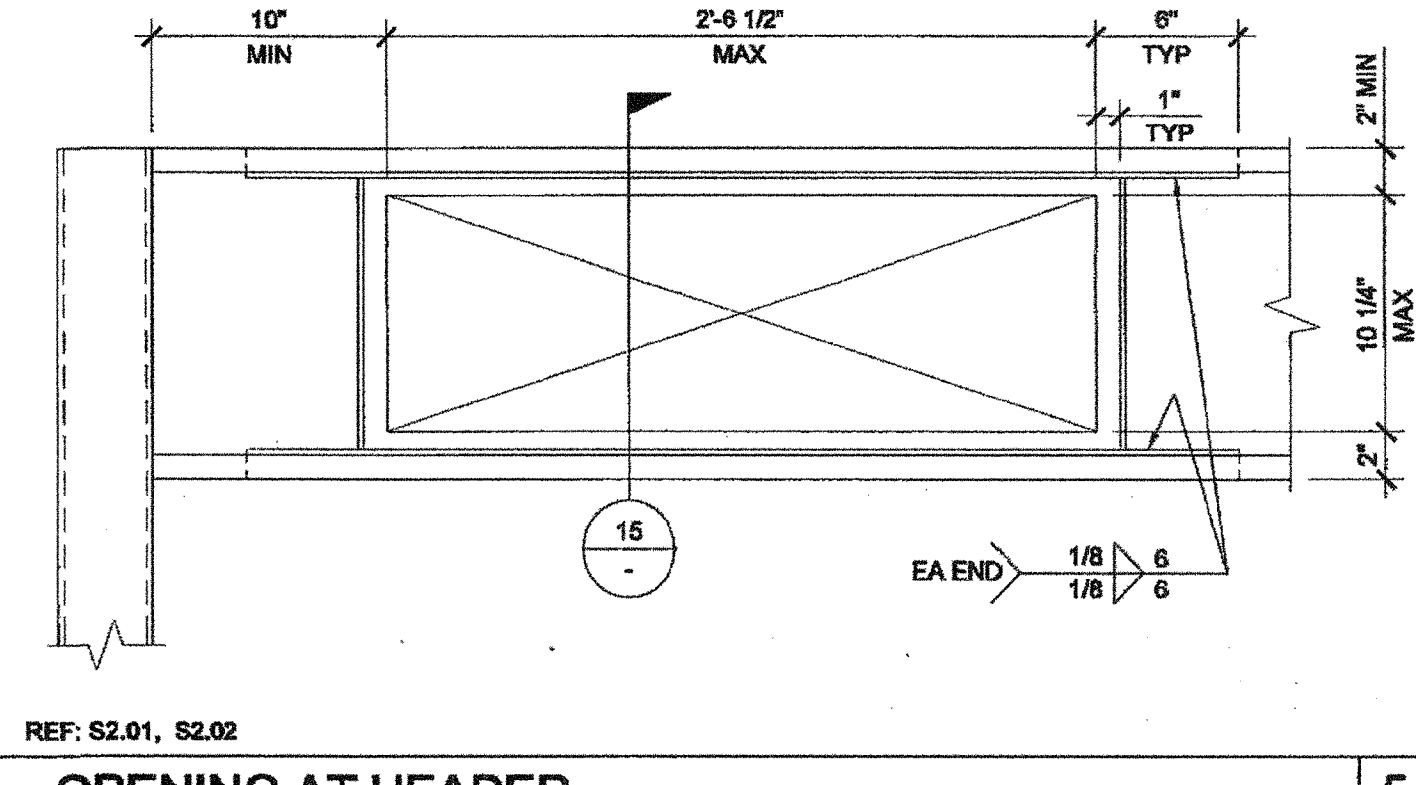
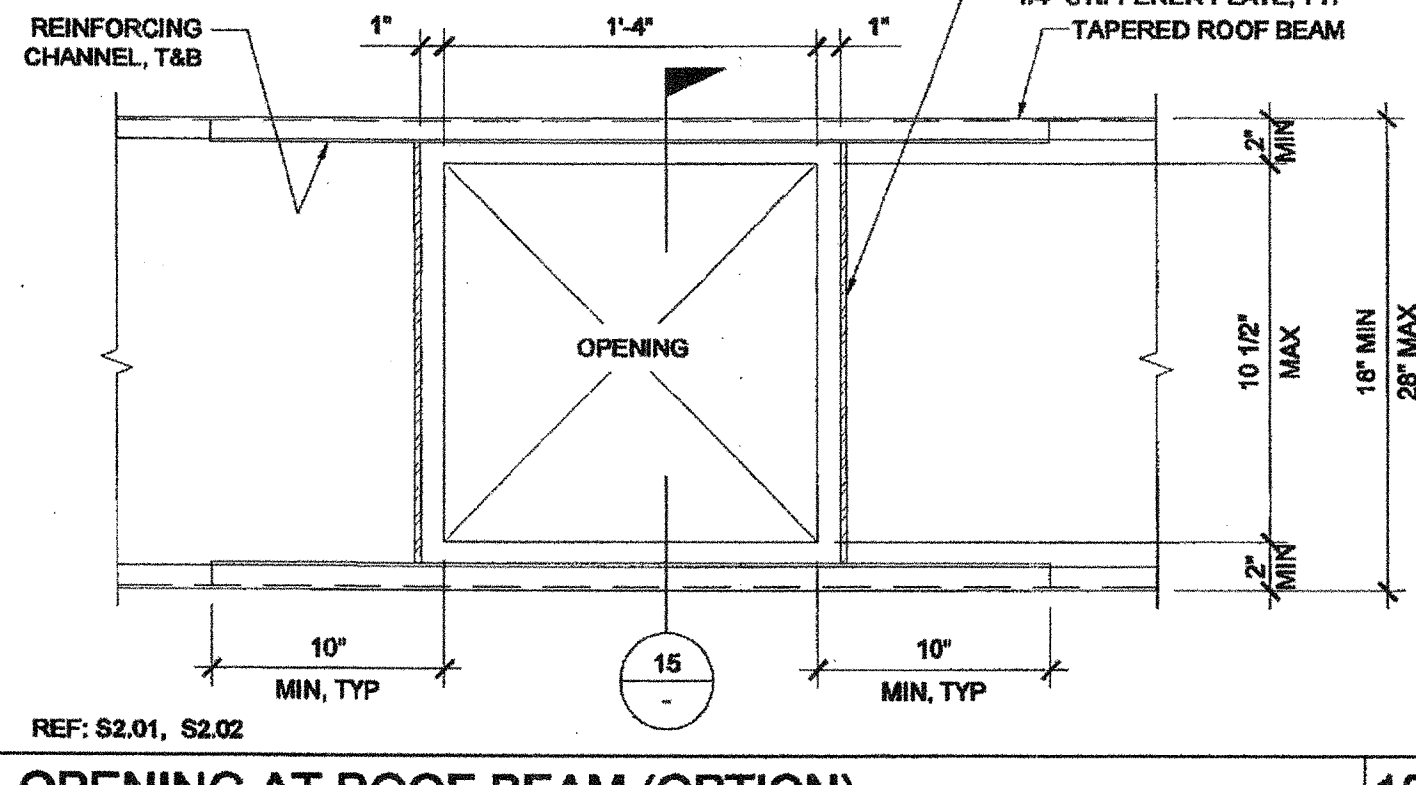
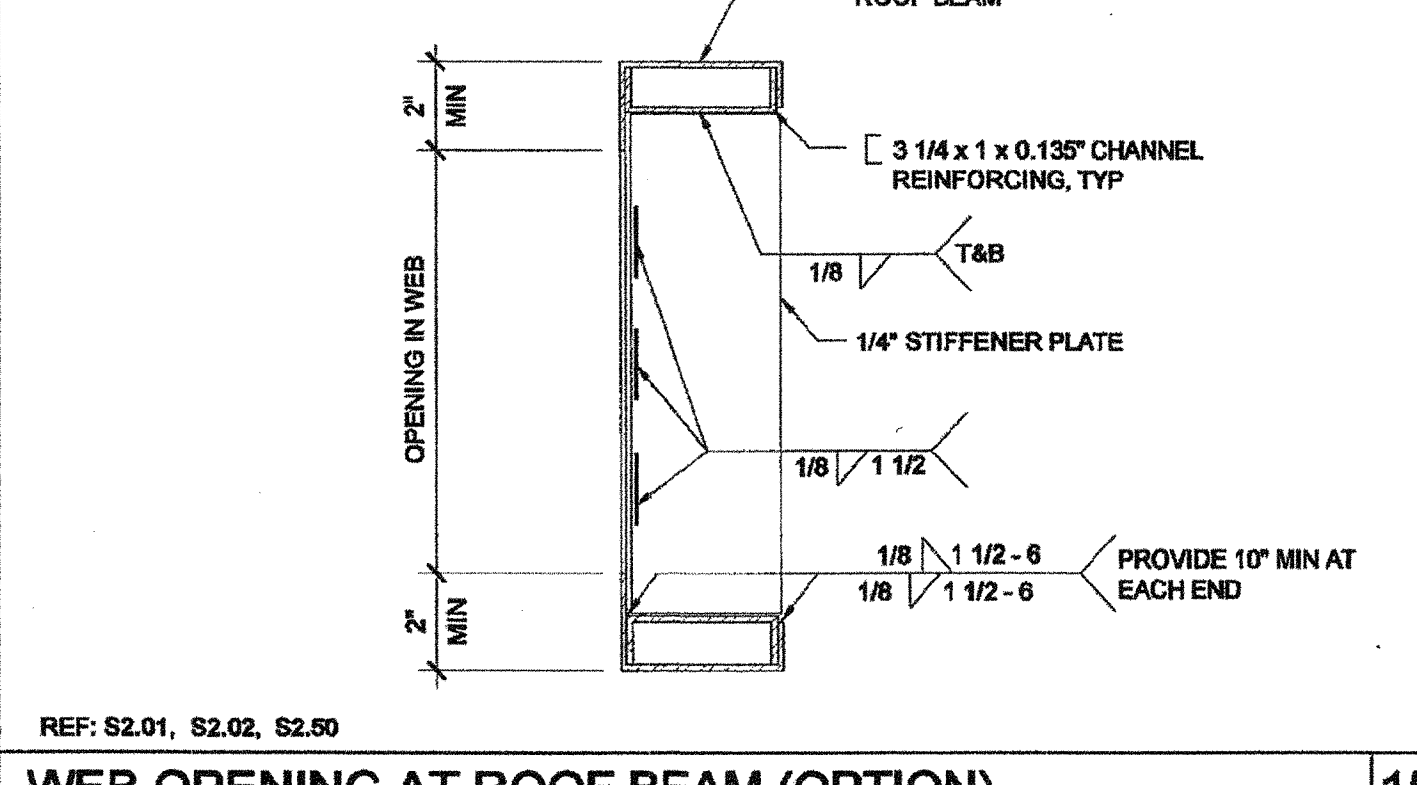
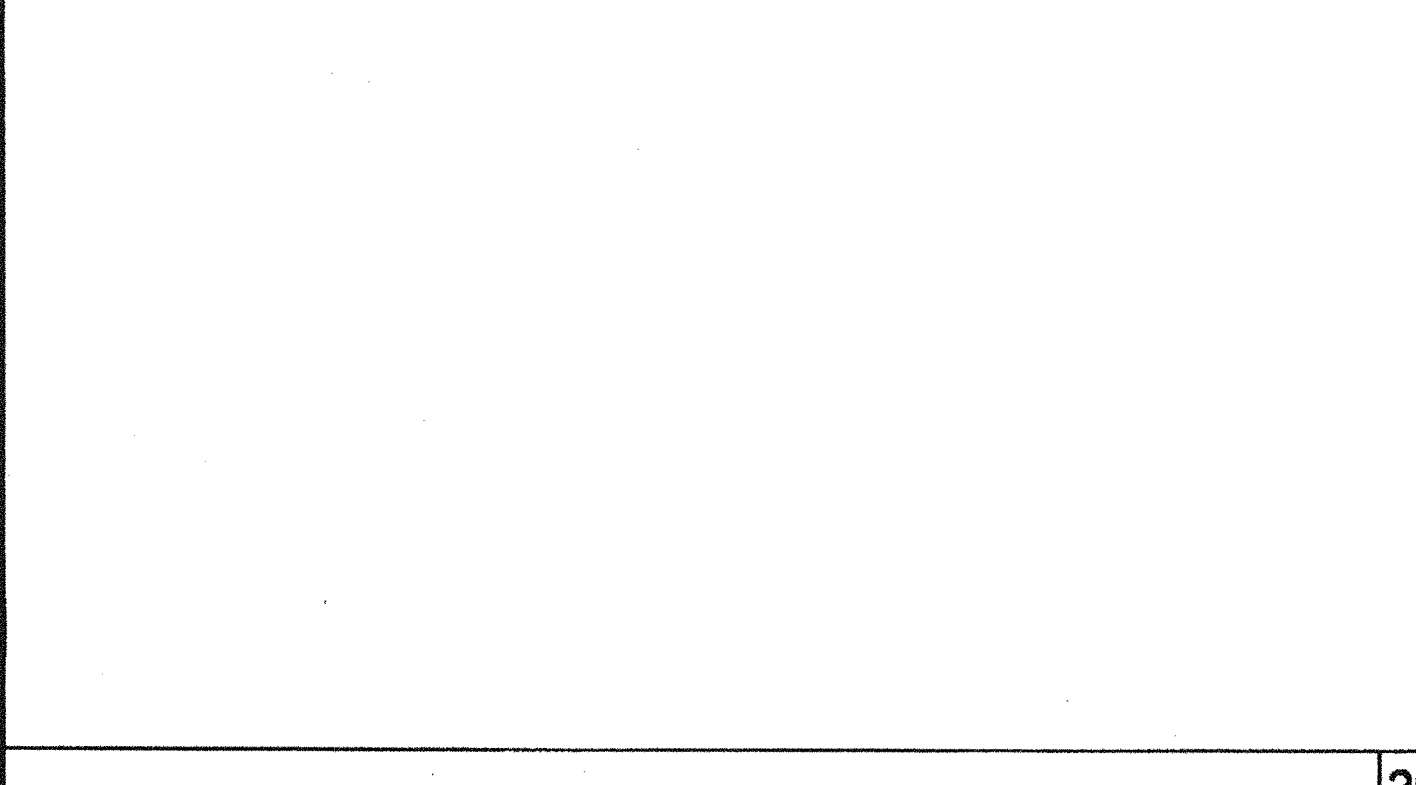


REF: S2.01, S2.02 SCALE: 1 1/2\"/>

REF: S2.01, S2.02 SCALE: 3\"/>

REF: S2.01, S2.02 SCALE: 1 1/2\"/>

REF: S2.01, S2.02 SCALE: 1 1/2\"/>



REF: S2.01, S2.02, S2.50 SCALE: 3\"/>

REF: S2.01, S2.02 SCALE: 1 1/2\"/>

REF: S2.01, S2.02 SCALE: 1 1/2\"/>

REF: S2.01, S2.02 SCALE: 1 1/2\"/>

THESE DRAWINGS AND ALL MATERIAL CONTAINED HEREIN ARE THE PROPERTY OF SILVERCREEK INDUSTRIES, INC (SCI Inc) AND SHALL NOT BE REPRODUCED, COPIED OR OTHERWISE DISPOSED OF DIRECTLY OR INDIRECTLY AND SHALL NOT BE USED IN WHOLE OR IN PART TO ASSIST IN THE MAKING OF OR FOR THE PURPOSE OF FURNISHING ANY INFORMATION FOR THE MAKING OF DRAWINGS, PRINTS, APPARATUS OR PARTS THEREOF WITHOUT THE FULL KNOWLEDGE AND WRITTEN CONSENT OF SCI Inc. ALL PATENTABLE MATERIAL CONTAINED HEREIN AND ORIGINATING WITH SCI Inc SHALL BE THE PROPERTY OF SCI Inc

SILVER CREEK INDUSTRIES, INC.

SILVER CREEK

BUILDING FOR THE NEXT GENERATION

195 EAST MORGAN PERRIS, CALIFORNIA 92571
PHONE: 951-943-5393 FAX: 951-943-2211

PROJECT NAME:

CLASS LEASING

SHEET TITLE:

ROOF FRAMING DETAILS MONO SLOPE

STAVARES ASSOCIATES

REGISTERED ARCHITECT

NO. C23854

REG. 12-31-2013

12/23/2011

ARCHITECT OF RECORD SUBMISSION DATE

REGISTERED ARCHITECT

NO. C10322

REG. 1-26-10

PROJECT SPECIFIC STATE AGENCY APPROVAL

IDENTIFICATION STAMP

DIV. OF THE STATE ARCHITECT

OFFICE OF REGULATION

04 11

ORIGINAL PC STATE AGENCY APPROVAL

IDENTIFICATION STAMP

DIV. OF THE STATE ARCHITECT

OFFICE OF REGULATION

04-11237

DATE: DEC 8 2011

REVISIONS

1	
2	
3	
4	
5	
6	
7	
8	
9	
10	
11	
12	
13	
14	
15	
16	
17	
18	
19	
20	

SILVER CREEK INDUSTRIES
12 x 40' PC

PROJECT NO:

DRAWN BY:

SCALE: AS NOTED

DATE: 6-17-11 11-19-14

P.C. SHEET NUMBER

S-2.50

STKP 125