

THESE DRAWINGS AND ALL MATERIAL CONTAINED HEREIN ARE THE PROPERTY OF SILVERCREEK INDUSTRIES, INC (SCI INC) AND SHALL NOT BE REPRODUCED, COPIED OR OTHERWISE DISPOSED OF DIRECTLY OR INDIRECTLY AND SHALL NOT BE USED IN WHOLE OR IN PART TO ASSIST IN THE MAKING OF OR FOR THE PURPOSE OF FURNISHING ANY INFORMATION FOR THE MAKING OF DRAWINGS, PRINTS, APPARATUS OR PARTS THEREOF WITHOUT THE FULL KNOWLEDGE AND WRITTEN CONSENT OF SCI INC. ALL PATENTABLE MATERIAL CONTAINED HEREIN AND ORIGINATING WITH SCI INC SHALL BE THE PROPERTY OF SCI INC.

SILVER CREEK INDUSTRIES, INC.
 BUILDING FOR THE NEXT GENERATION
SILVER CREEK
 195 EAST MORGAN PERRIS, CALIFORNIA 92571
 PHONE: 951-943-5393 FAX: 951-943-2211

PROJECT NAME:
CLASS LEASING
 SHEET TITLE:
FLOOR FRAMING DETAILS WOOD FLOOR

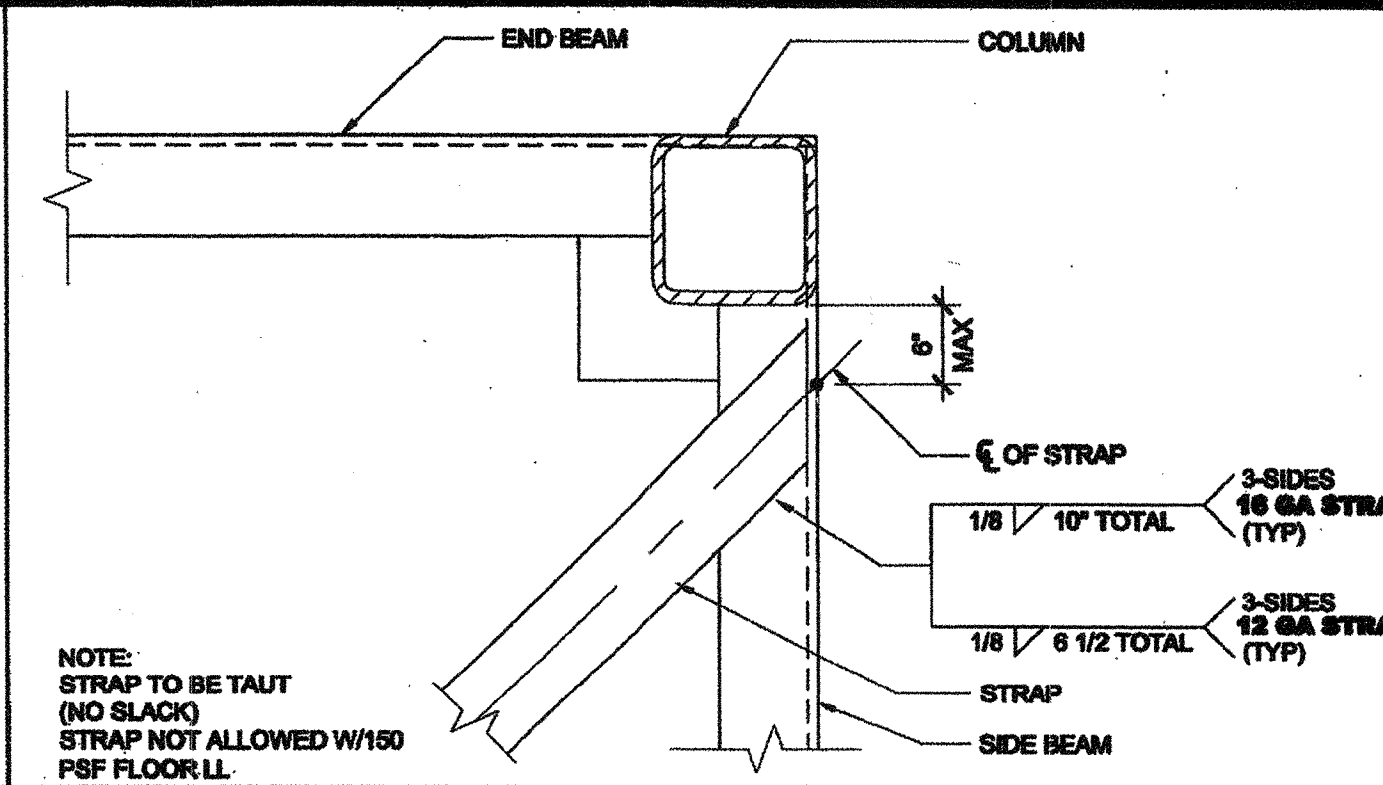
STAVARES
 ARCHITECTURE & ENGINEERING
 1000 N. GARDEN ST. SUITE 200
 ANAHEIM, CA 92815
 SEP 18 2012

ARCHITECT OF RECORD
 SUBMISSION DATE
 IDENTIFICATION STAMP
 DIV. OF THE STATE ARCHITECT
 OFFICE OF REGULATION SERVICES
 DATE: AUG 28 2012
 REG. NO. C10322
 DATE: 2-28-15

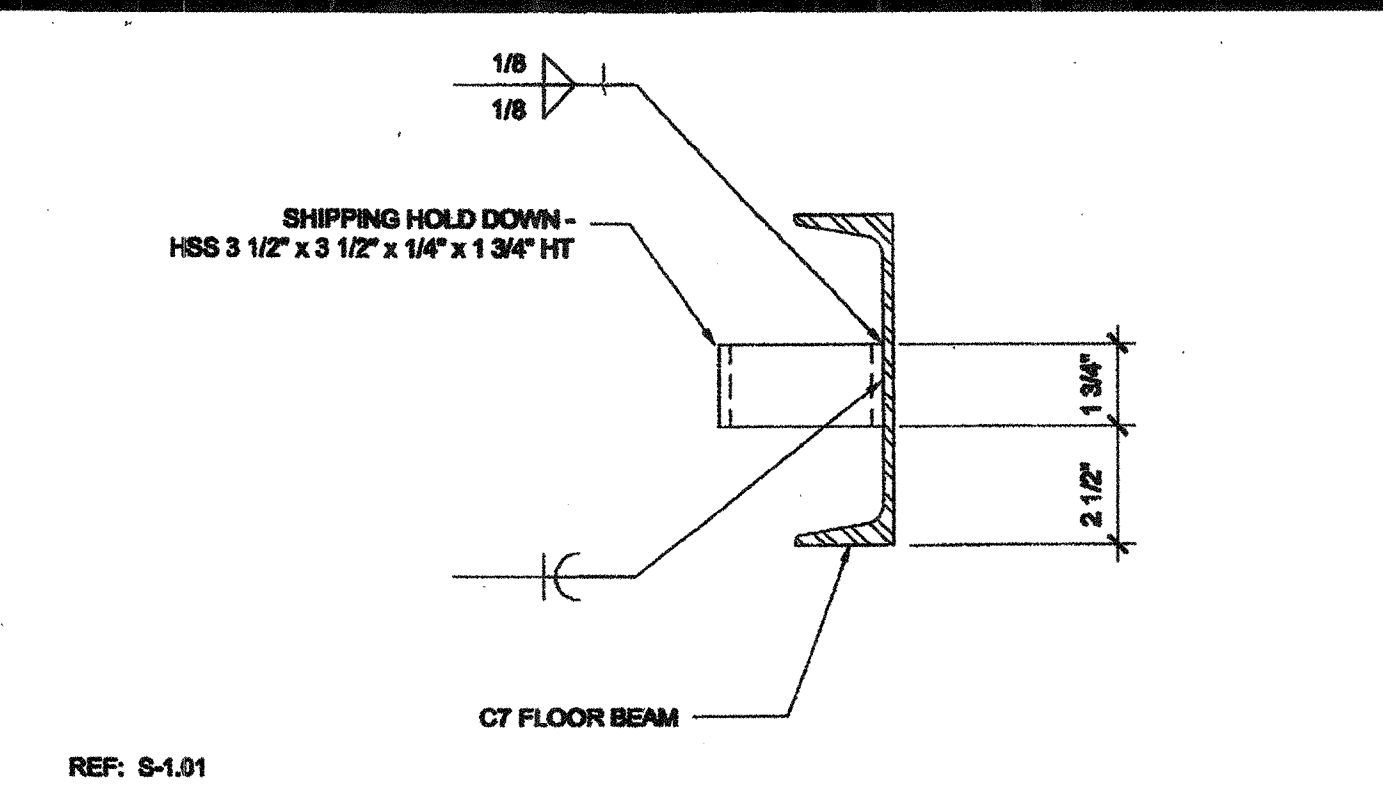
PROJECT SPECIFIC STATE AGENCY APPROVAL
 IDENTIFICATION STAMP
 DIV. OF THE STATE ARCHITECT
 OFFICE OF REGULATION SERVICES
 DATE: AUG 28 2012

ORIGINAL P.C. STATE AGENCY APPROVAL
 IDENTIFICATION STAMP
 DIV. OF THE STATE ARCHITECT
 OFFICE OF REGULATION SERVICES
 DATE: AUG 28 2012
REVISED

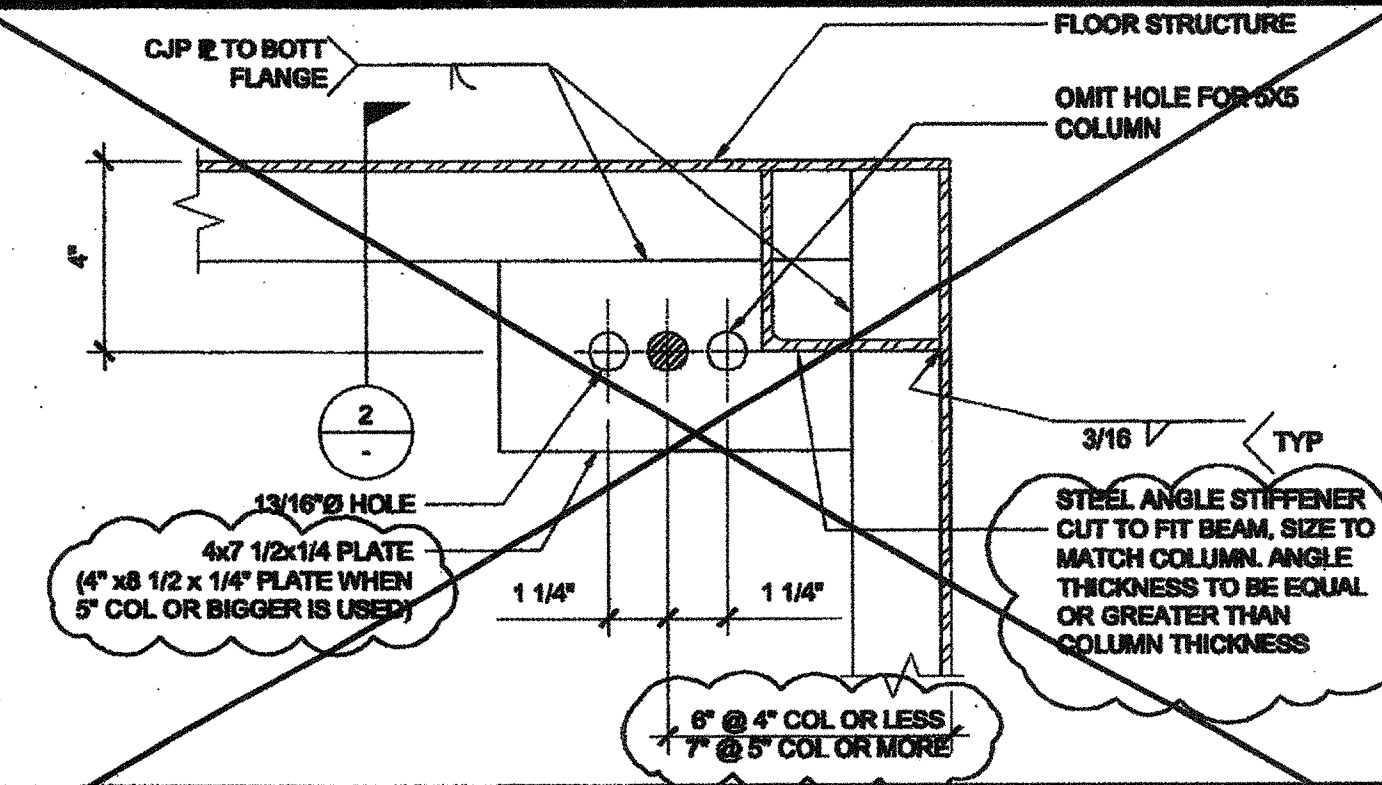
SILVER CREEK INDUSTRIES
 12 x 40' PC
 PROJECT NO:
 DRAWN BY: ZARAGOZA
 SCALE: AS NOTED
 DATE: 12-12-12
 P.C. SHEET NUMBER
S-1.50
 STKP 125



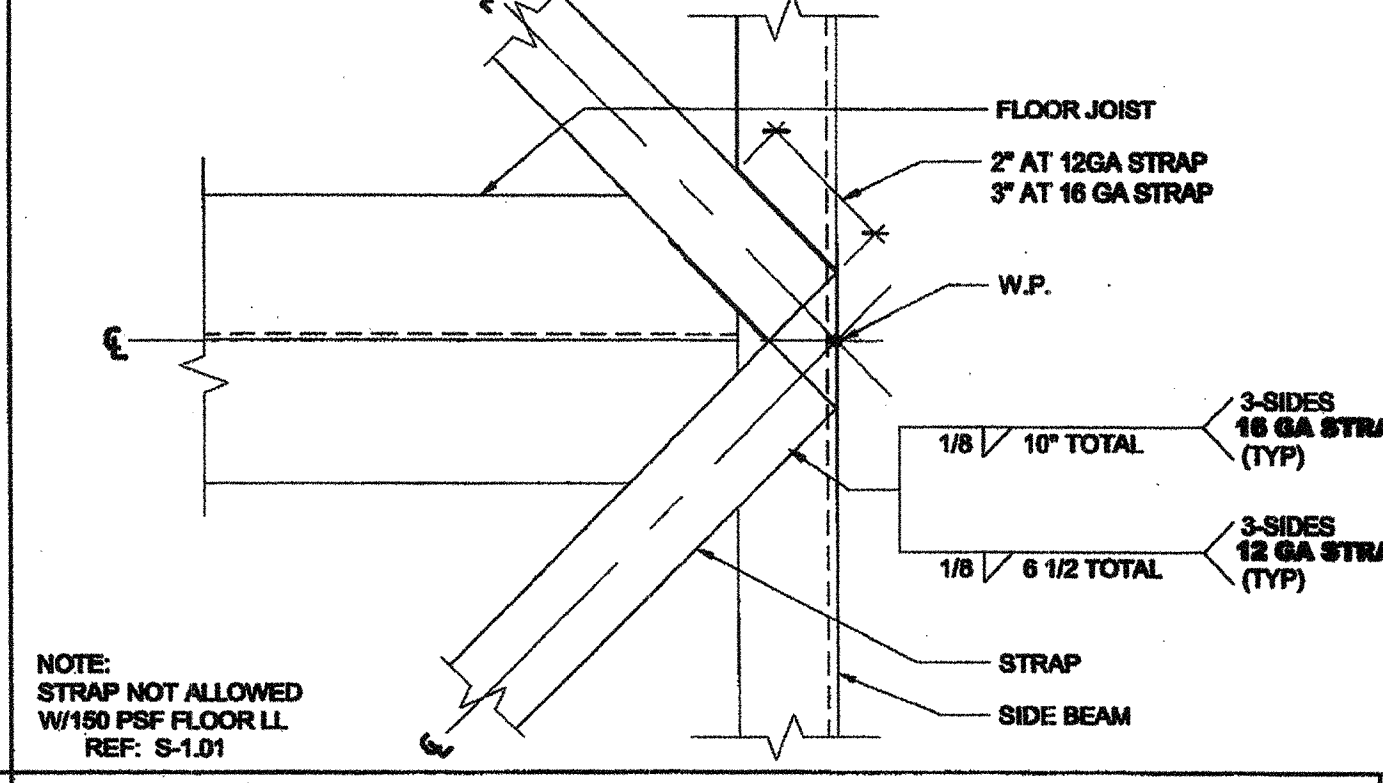
16 FLOOR BRACING STRAP @ END WALL SCALE: 3"=1'-0"



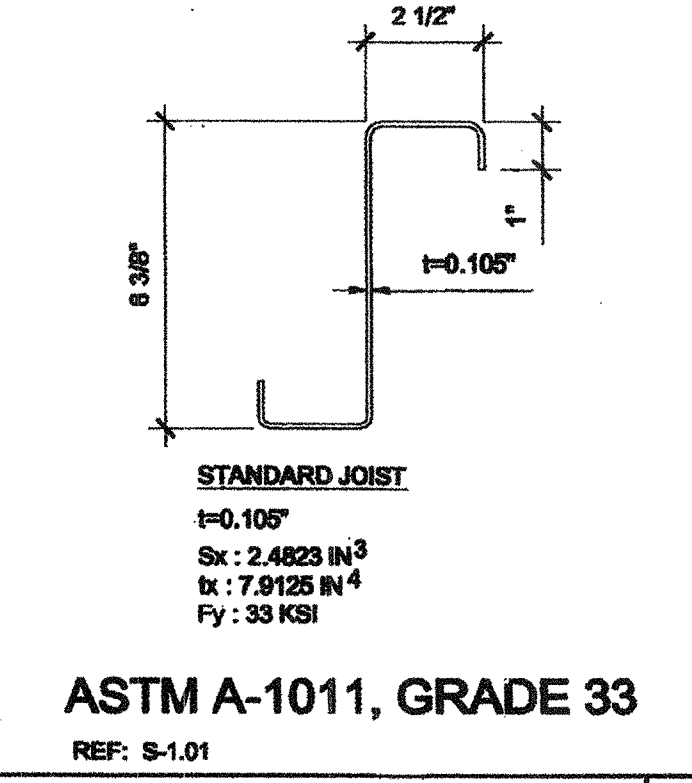
11 SHIPPING HOLD DOWN DETAIL SCALE: 3"=1'-0"



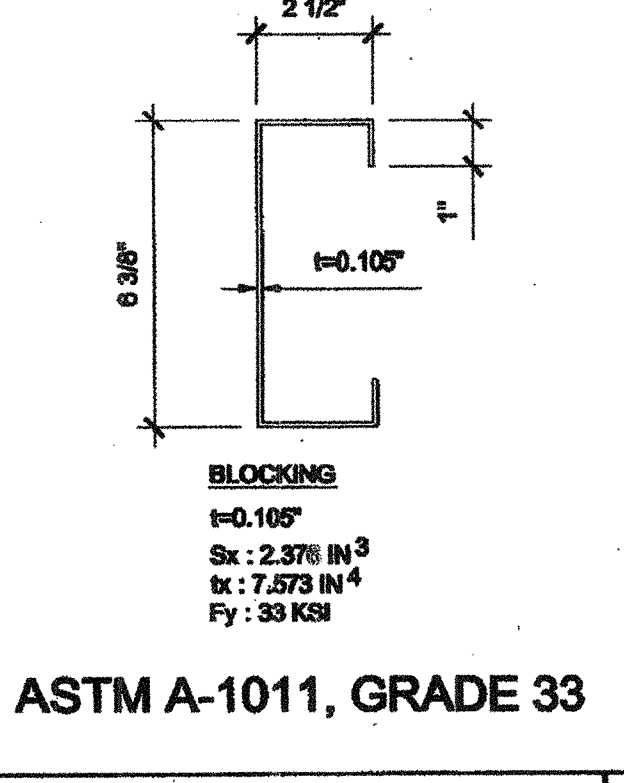
6 NODDY ANCHOR PLATE SCALE: 3"=1'-0"



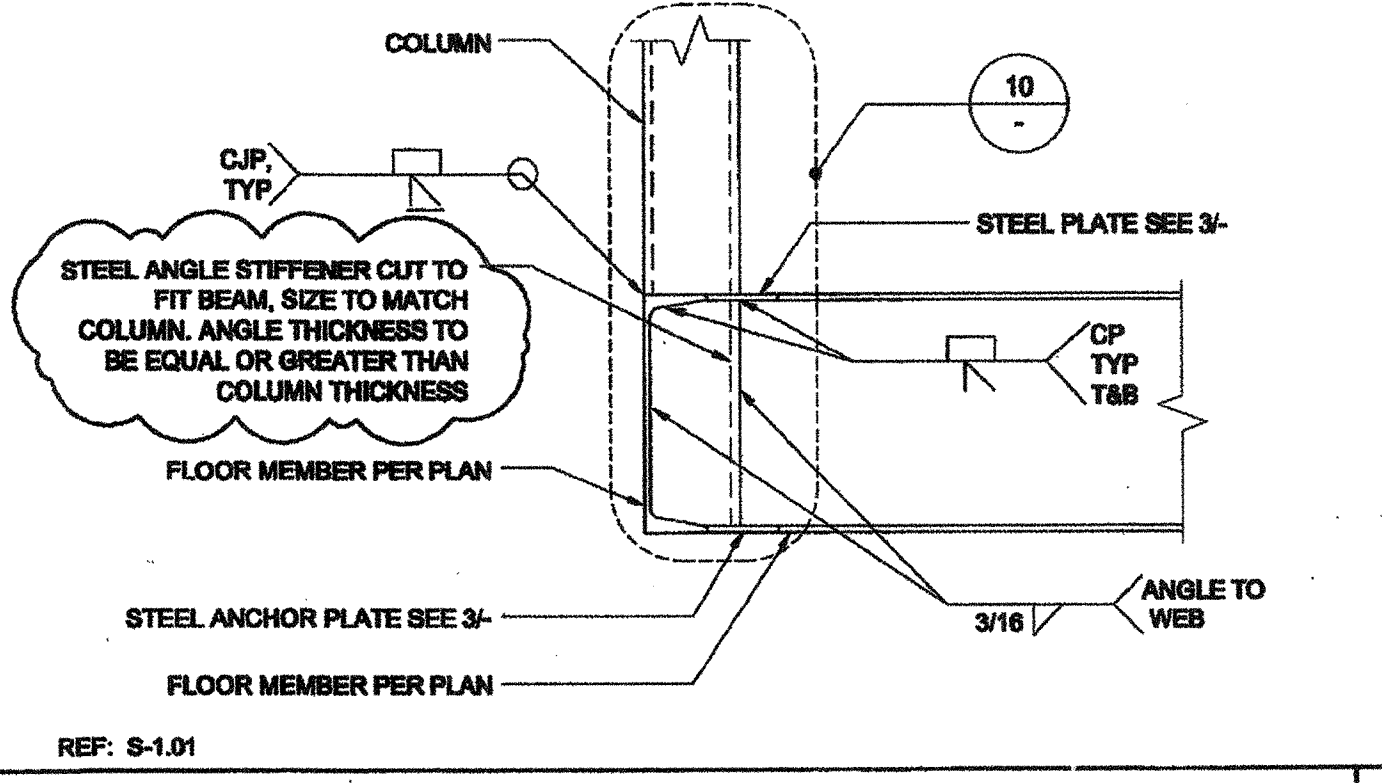
17 FLOOR BRACING STRAP @ SIDE WALL SCALE: 3"=1'-0"



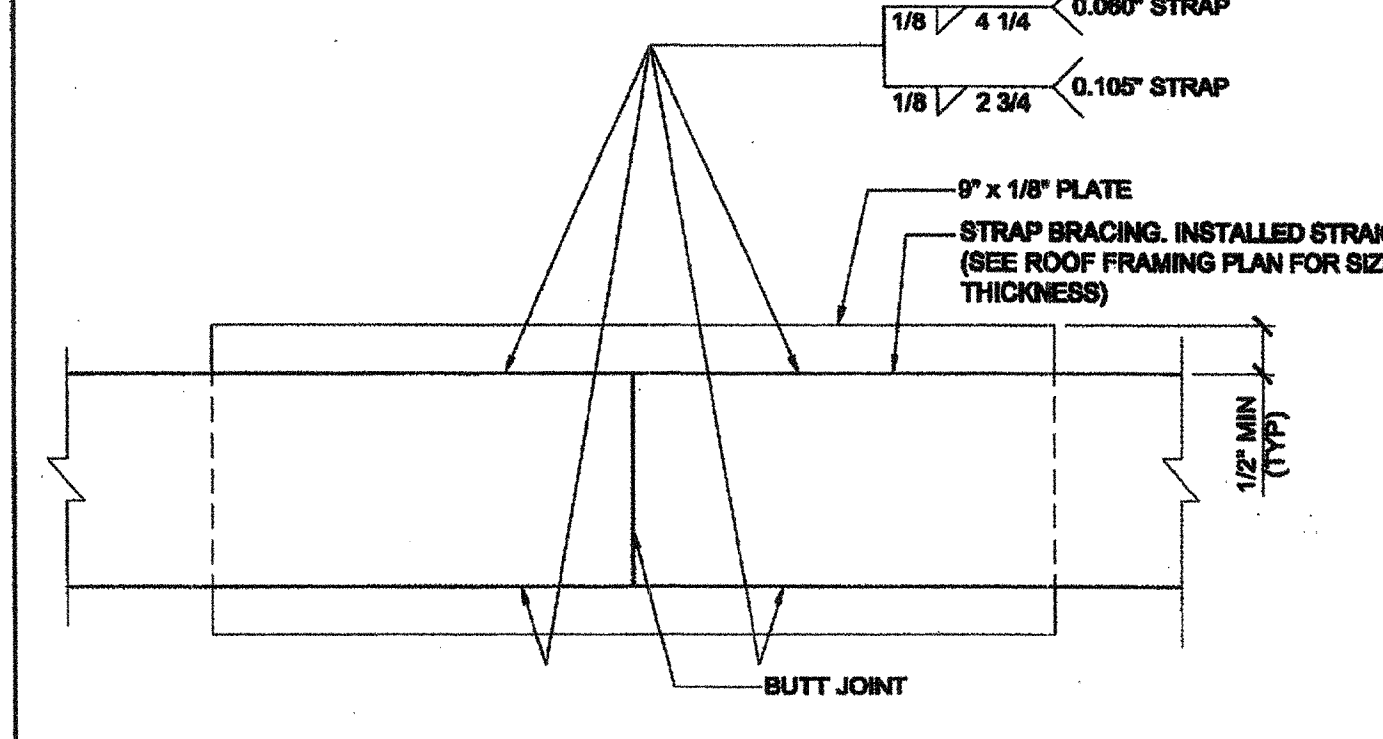
12 FLOOR JOIST SCALE: 3"=1'-0"



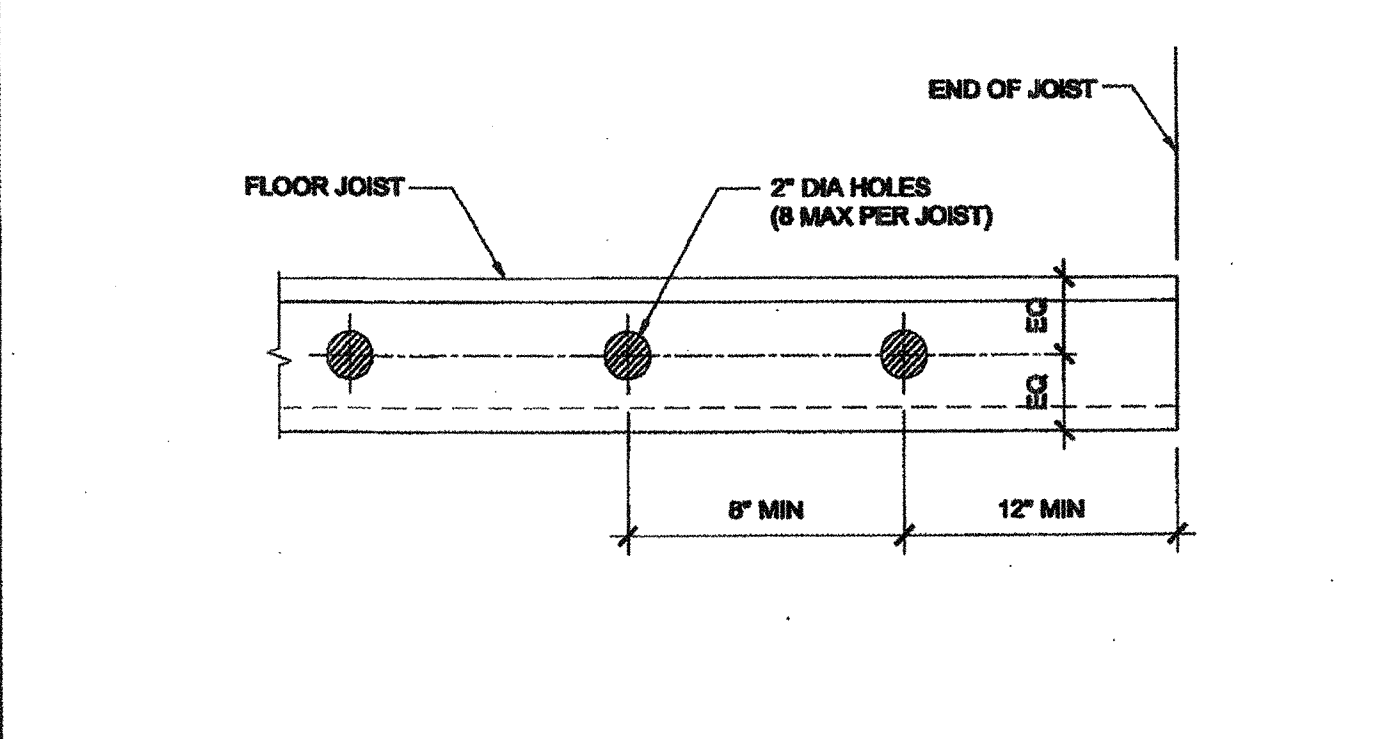
13 BLOCKING SCALE: 3"=1'-0"



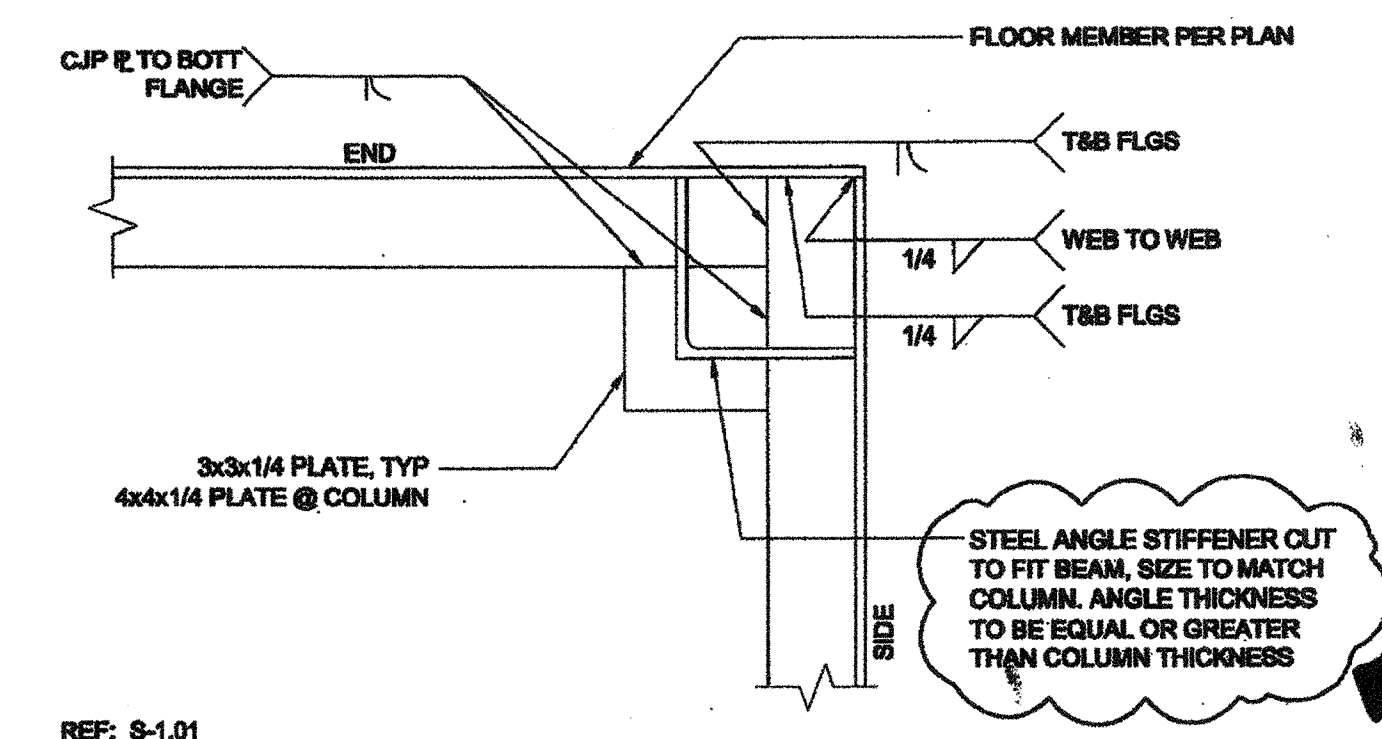
7A FLOOR BEAM TO COLUMN CONNECTION SCALE: 1 1/2"=1'-0"



18 STRAP SPLICE DETAIL SCALE: 6"=1'-0"



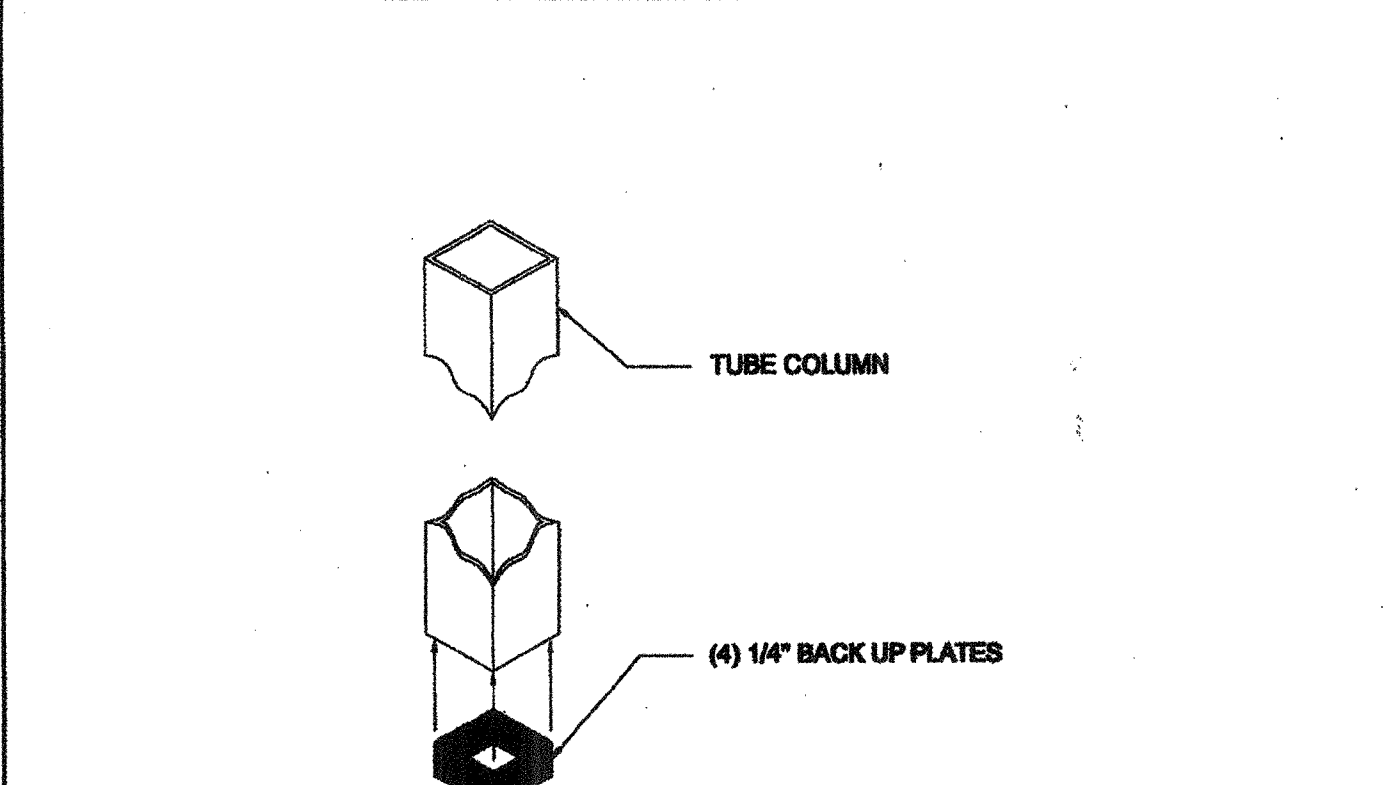
13 FLOOR JOIST HOLES (OPTIONAL) SCALE: 1/8"=1'-0"



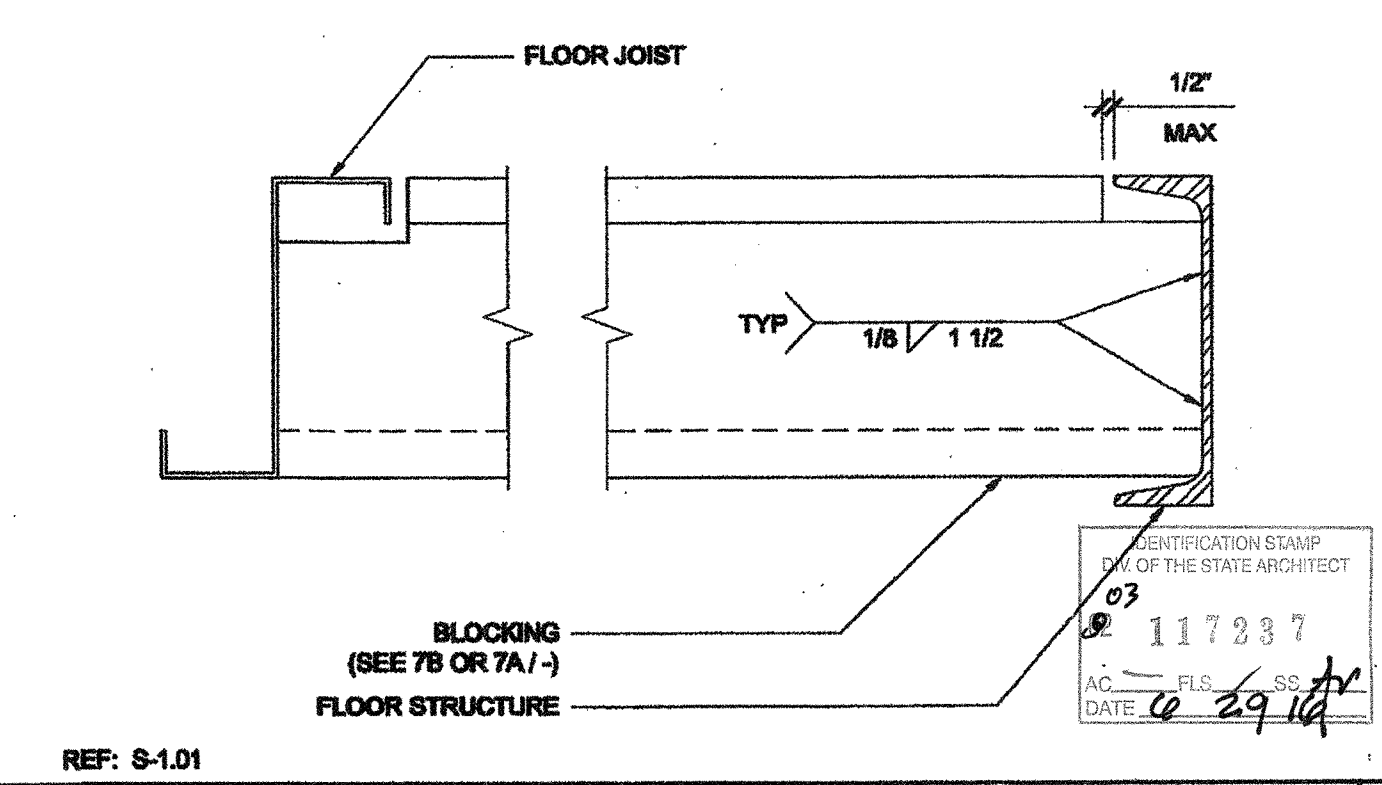
8 ANCHOR PLATE SCALE: 3"=1'-0"



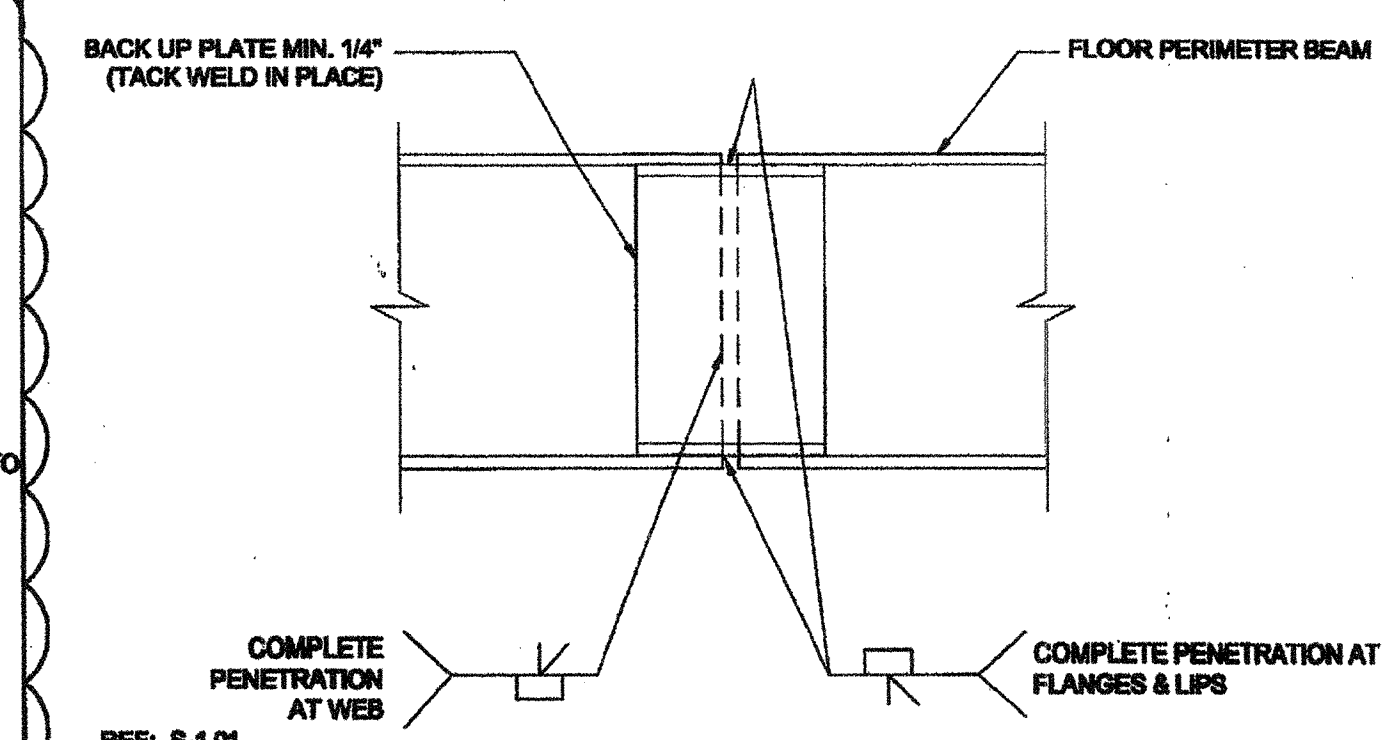
18 CORNER ANCHOR PLATE SCALE: 3"=1'-0"



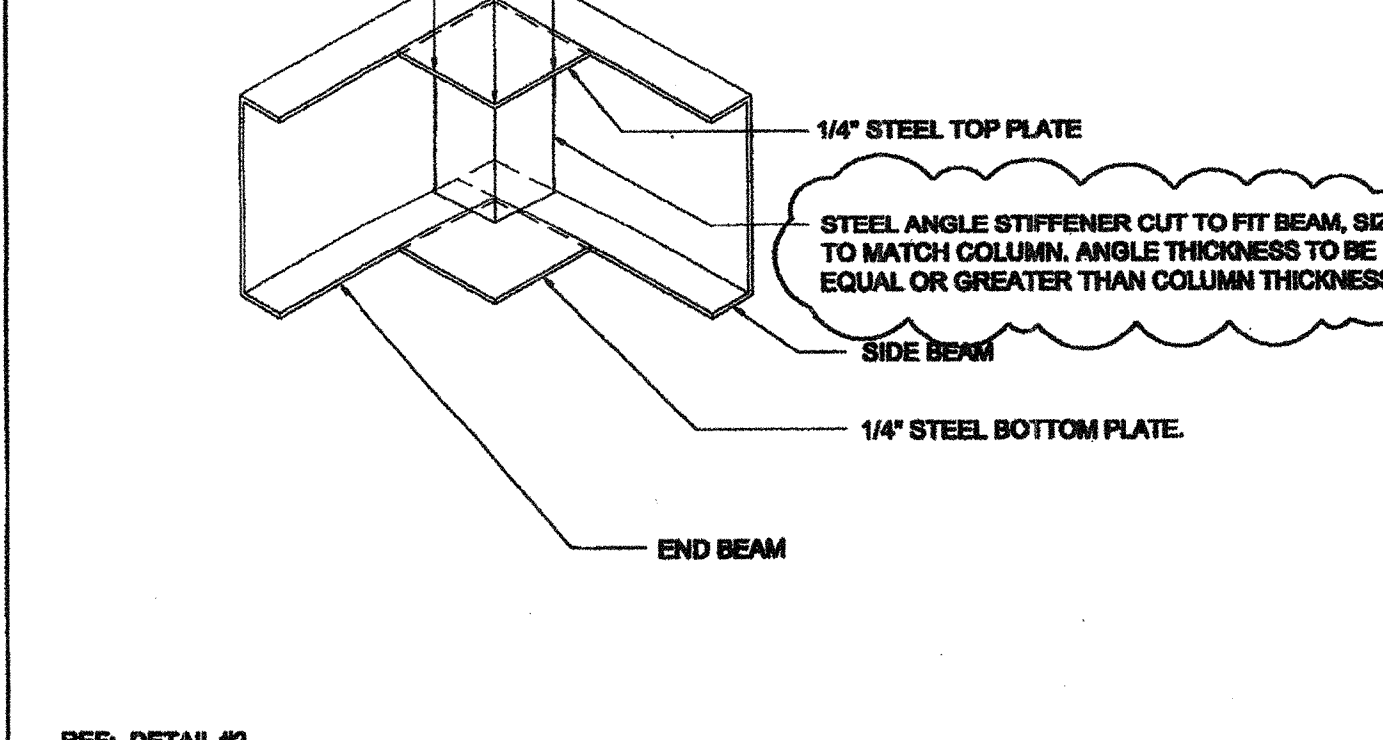
13 FLOOR JOIST HOLES (OPTIONAL) SCALE: 1/8"=1'-0"



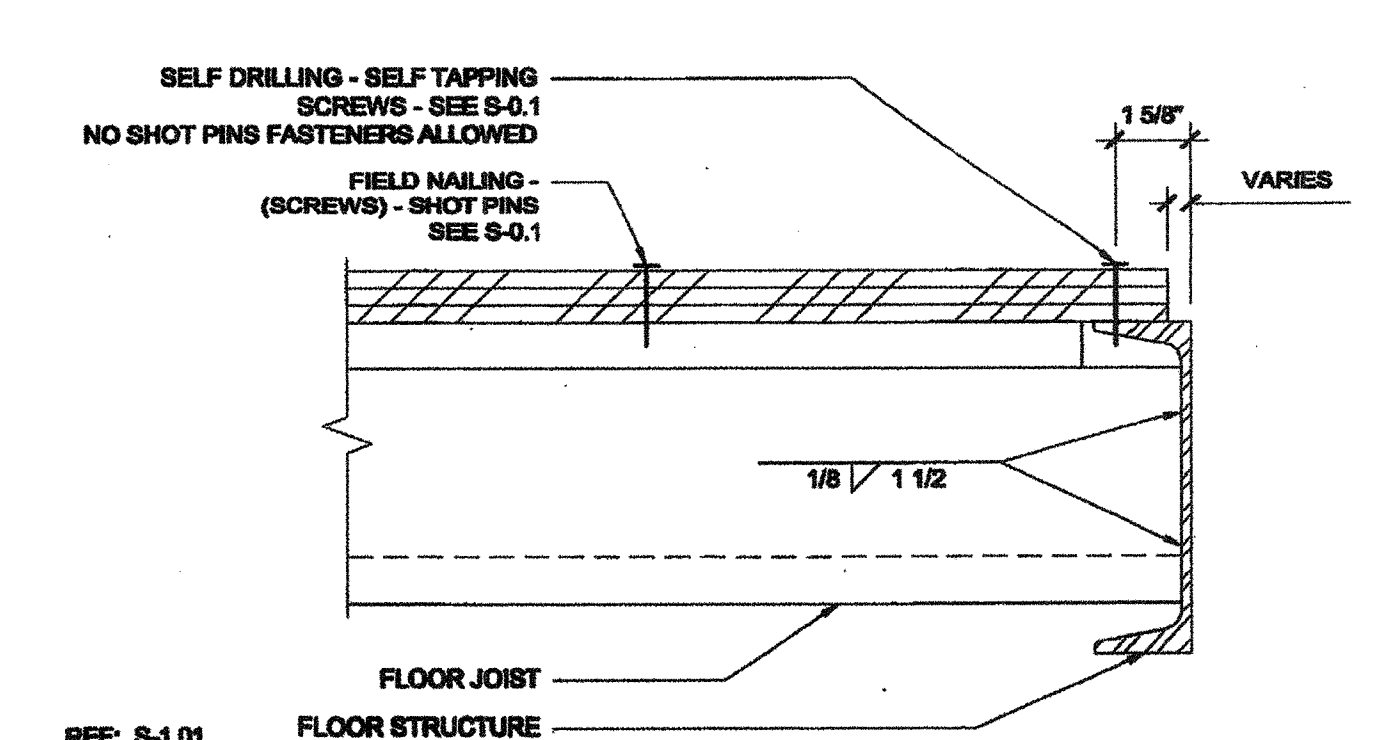
8 ANCHOR PLATE SCALE: 3"=1'-0"



14 NOT USED SCALE: 3"=1'-0"



15 COLUMN CONNECTION AT FLOOR SCALE: NTS



8 ANCHOR PLATE SCALE: 3"=1'-0"



14 NOT USED SCALE: 3"=1'-0"



18 CORNER ANCHOR PLATE SCALE: 3"=1'-0"



8 ANCHOR PLATE SCALE: 3"=1'-0"