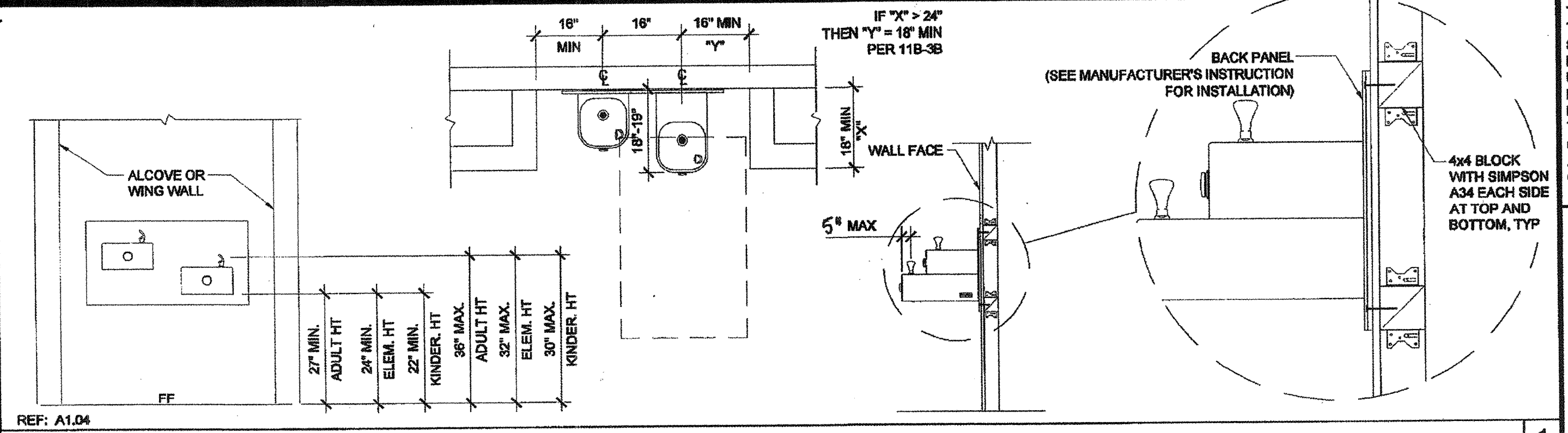
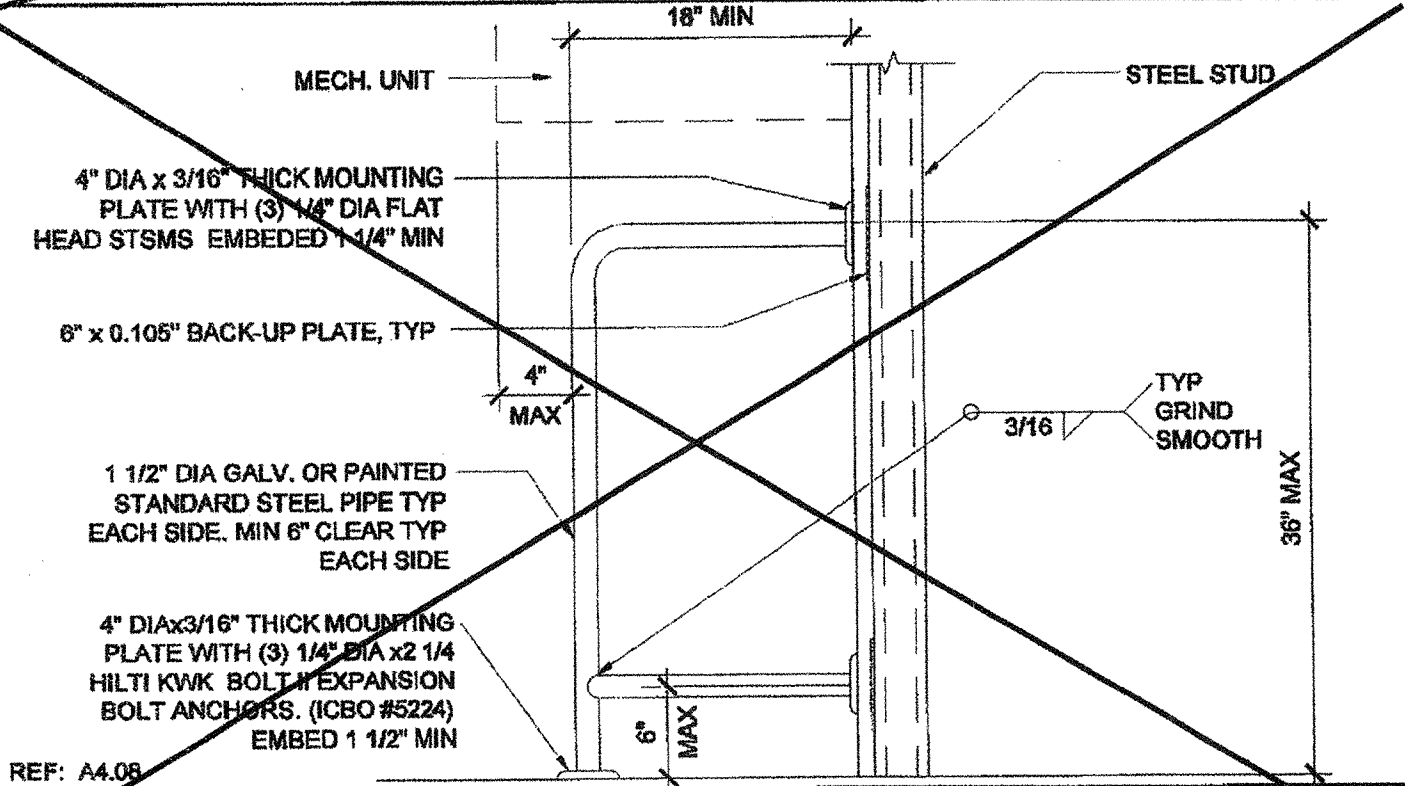


REF: A1.04 DRINKING FOUNTAIN BLOCKING DETAIL AT STEEL STUD SCALE: 1/2" = 1'-0" 11



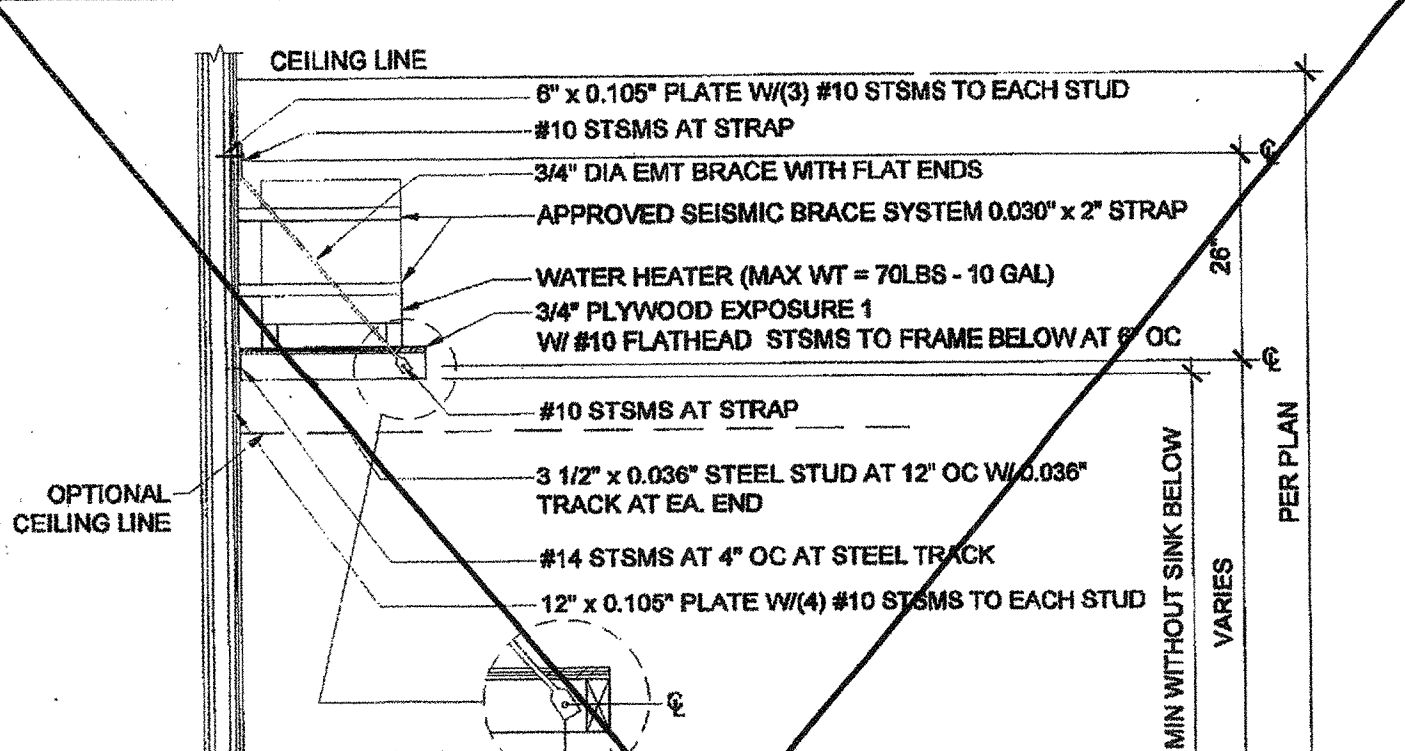
REF: A1.04 DRINKING FOUNTAIN BLOCKING DETAIL AT WOOD STUD SCALE: 1/2" = 1'-0" 1



REF: A4.08 HVAC BARRIER AT STEEL STUD SCALE: 1" = 1'-0" 17



REF: A4.08 HVAC BARRIER AT WOOD STUD SCALE: 1" = 1'-0" 2



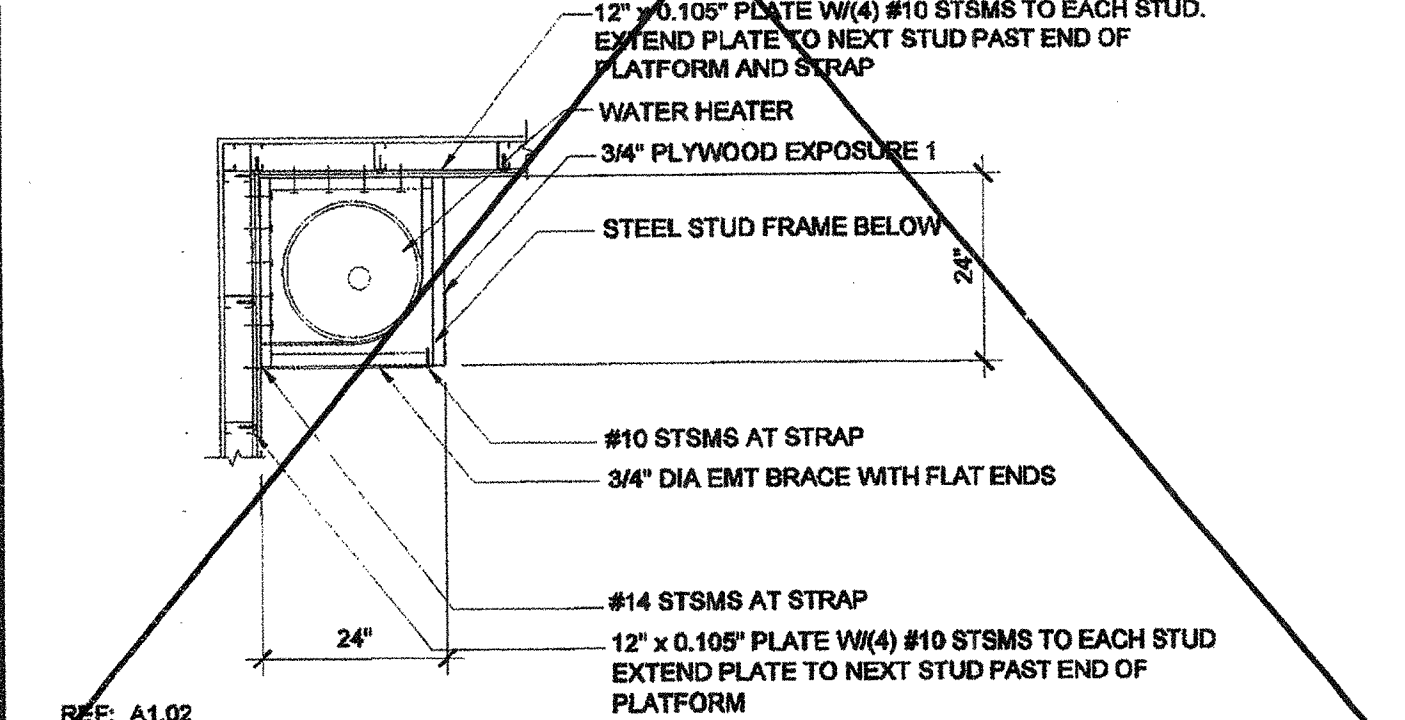
REF: A1.02 WATER HEATER SHELF AT STEEL STUD SCALE: 1/2" = 1'-0" 19



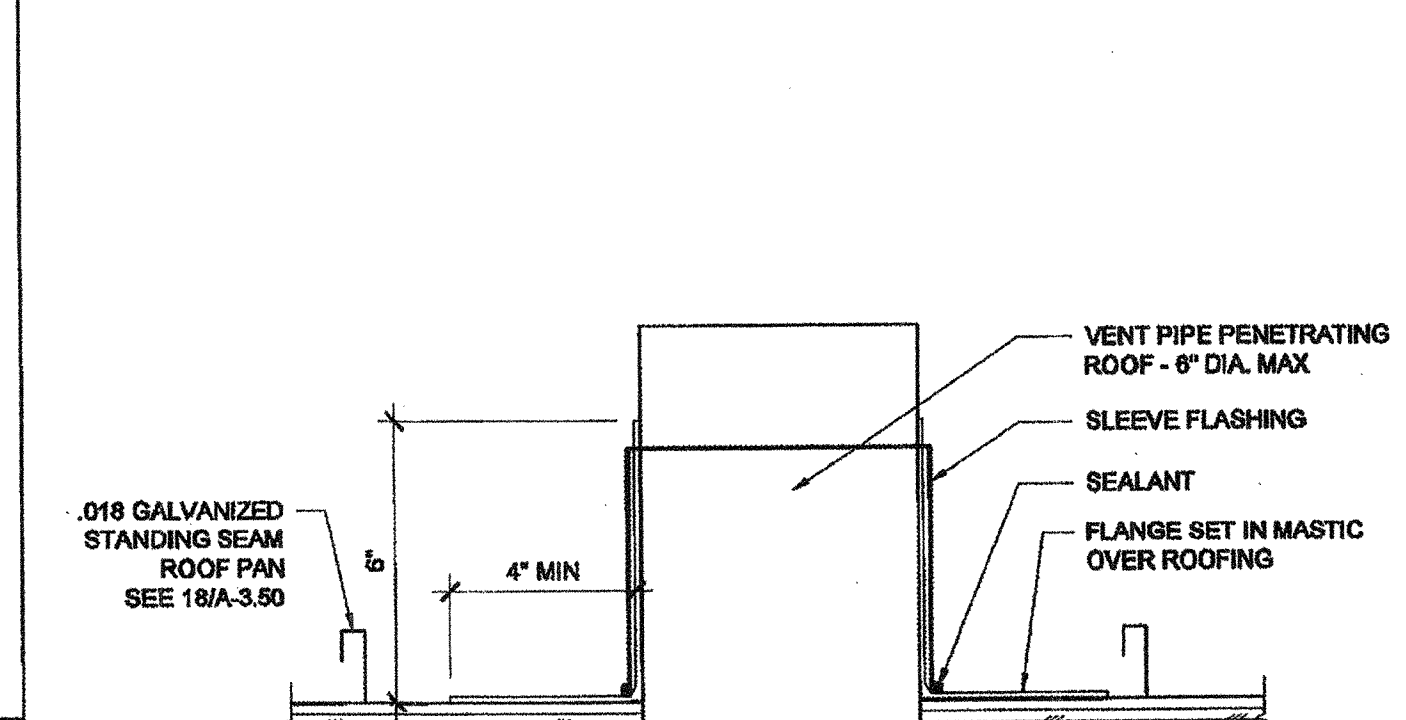
REF: A1.02 WATER HEATER BRACING AT STEEL STUD SCALE: 1/2" = 1'-0" 20

NOT USED 13

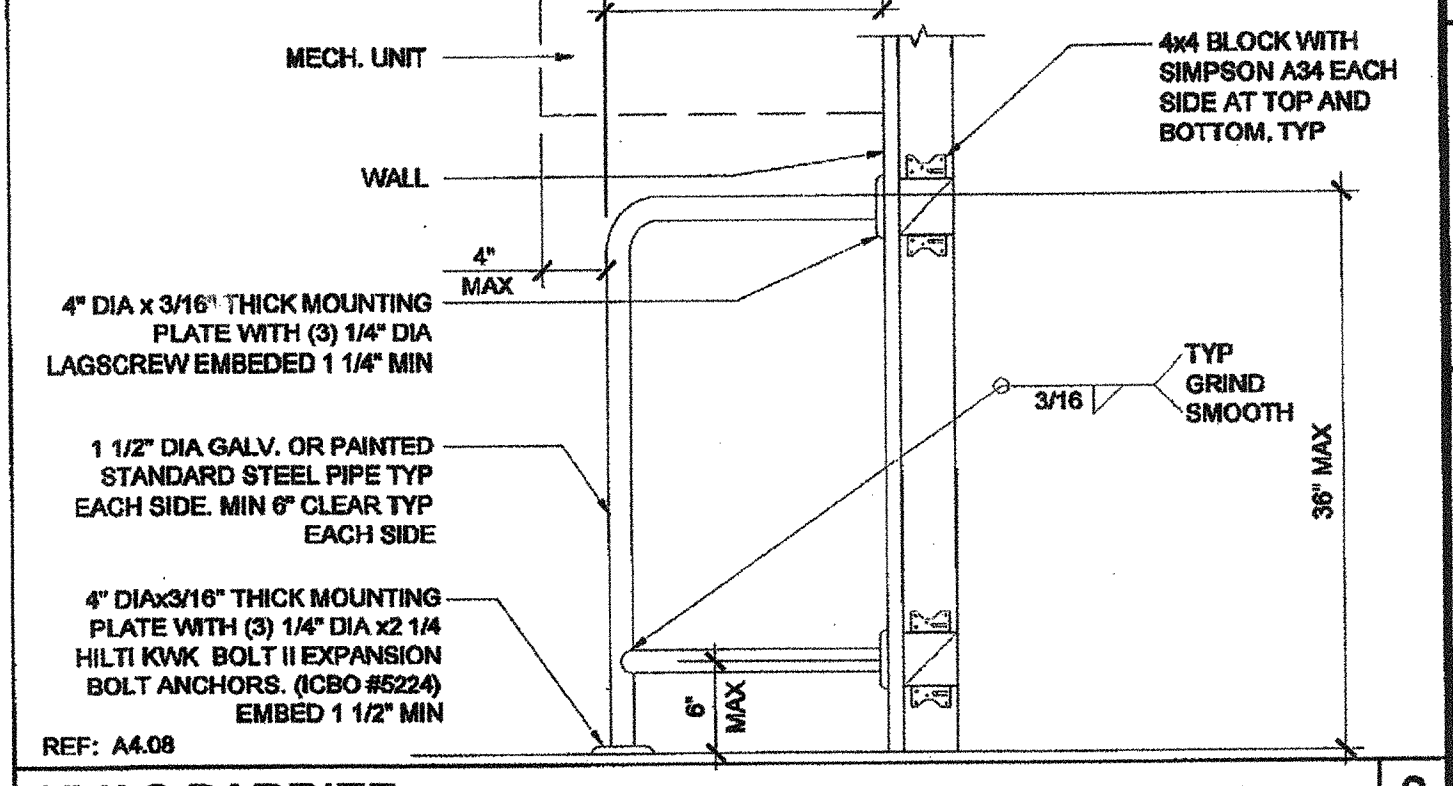
NOT USED 8



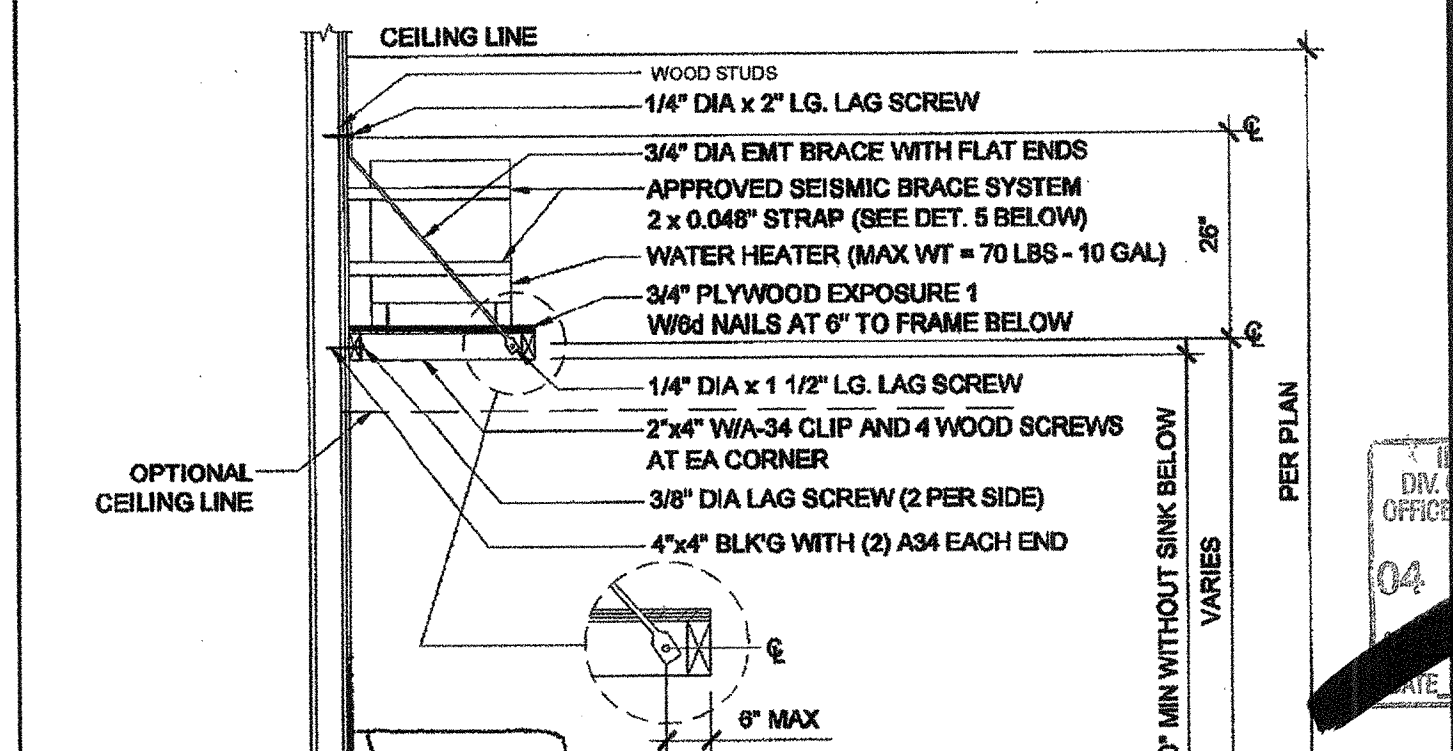
REF: A1.02 WATER HEATER BRACING AT STEEL STUD SCALE: 1/2" = 1'-0" 20



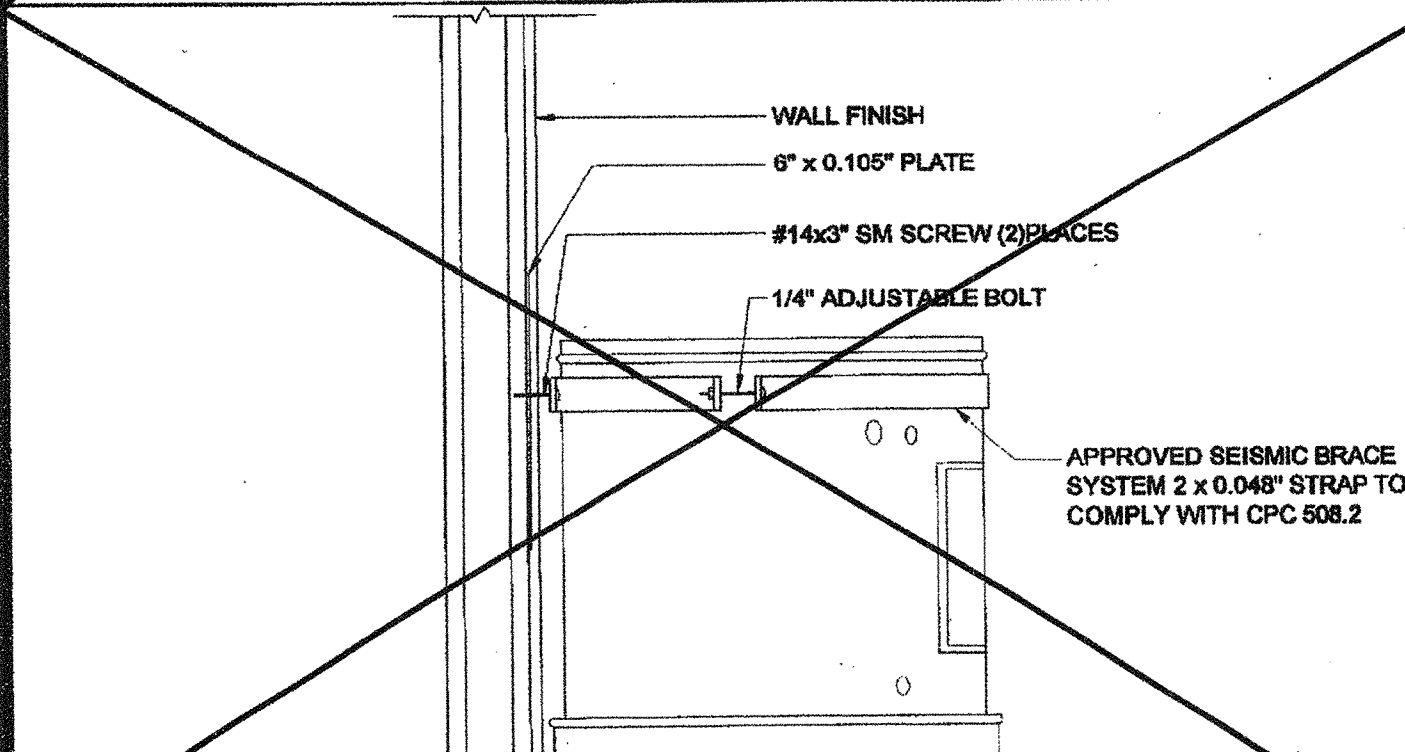
REF: A1.02 WATER HEATER BRACING AT WOOD STUD SCALE: 1/2" = 1'-0" 4



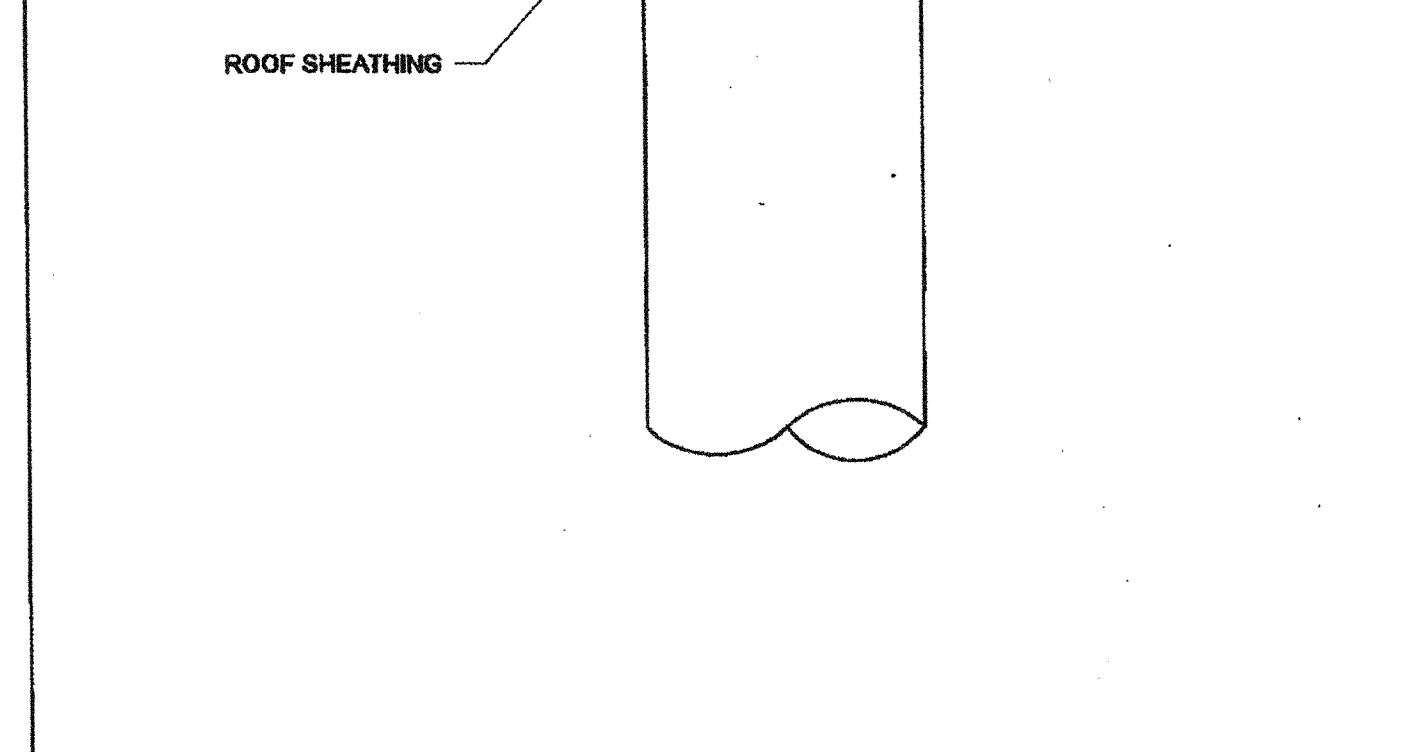
REF: A1.02 WATER HEATER BRACING AT WOOD STUD SCALE: 1 1/2" = 1'-0" 5



REF: A1.02 WATER HEATER BRACING AT WOOD STUD SCALE: 1 1/2" = 1'-0" 5



REF: A1.02 WATER HEATER BRACING AT STEEL STUD SCALE: 1 1/2" = 1'-0" 5



REF: A1.02 WATER HEATER BRACING AT WOOD STUD SCALE: 1 1/2" = 1'-0" 5

THESE DRAWINGS AND ALL MATERIAL CONTAINED HEREIN ARE THE PROPERTY OF SILVERCREEK INDUSTRIES, INC (SCI Inc) AND SHALL NOT BE REPRODUCED, COPIED OR OTHERWISE DISPOSED OF DIRECTLY OR INDIRECTLY AND SHALL NOT BE USED IN WHOLE OR IN PART TO ASSIST IN THE MAKING OF OR FOR THE PURPOSE OF FURNISHING ANY INFORMATION FOR THE MAKING OF DRAWINGS, PRINTS, APPARATUS OR PARTS THEREOF WITHOUT THE FULL KNOWLEDGE AND WRITTEN CONSENT OF SCI Inc. ALL PATENTABLE MATERIAL CONTAINED HEREIN AND ORIGINATING WITH SCI Inc SHALL BE THE PROPERTY OF SCI Inc.

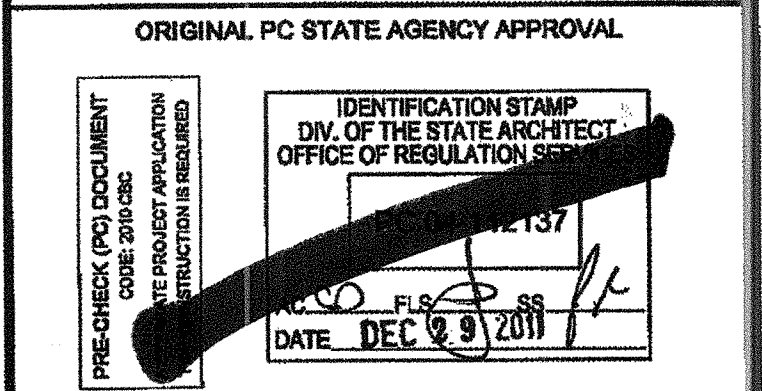
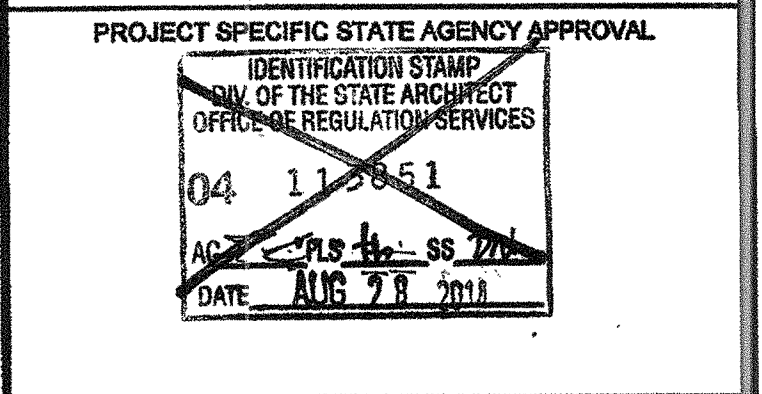
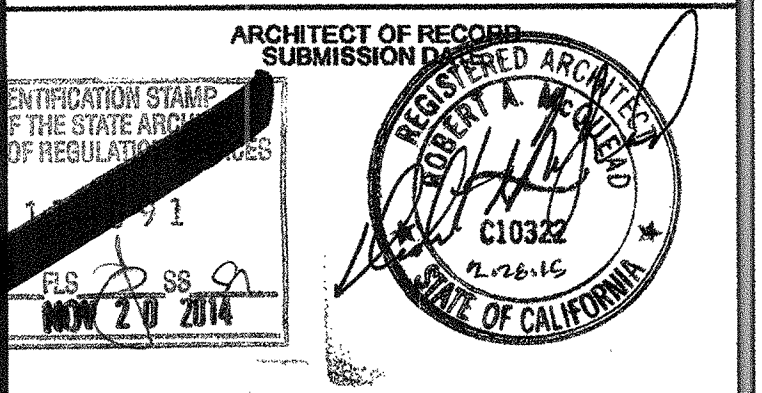
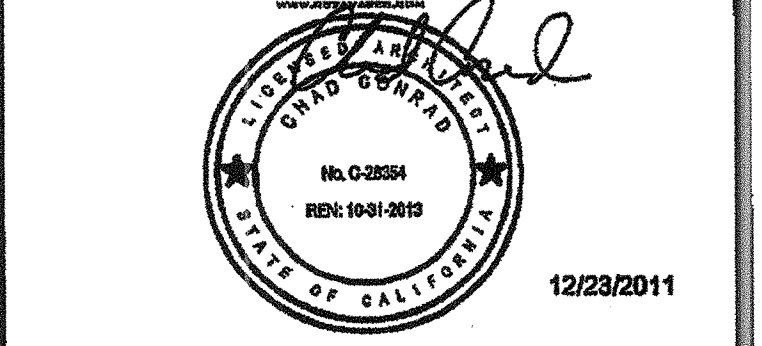
SILVER CREEK INDUSTRIES, INC.



195 EAST MORGAN PERRIS, CALIFORNIA 92571
PHONE: 951-943-5393 FAX: 951-943-2211

PROJECT NAME:
CLASS LEASING

SHEET TITLE:
ARCHITECTURAL DETAILS MISCELLANEOUS



REVISIONS

SILVER CREEK INDUSTRIES 12' x 40' PC
PROJECT NO:
DRAWN BY:
SCALE: AS NOTED
DATE: 6-17-11
P.C. SHEET NUMBER
A-5.81 STKP 125