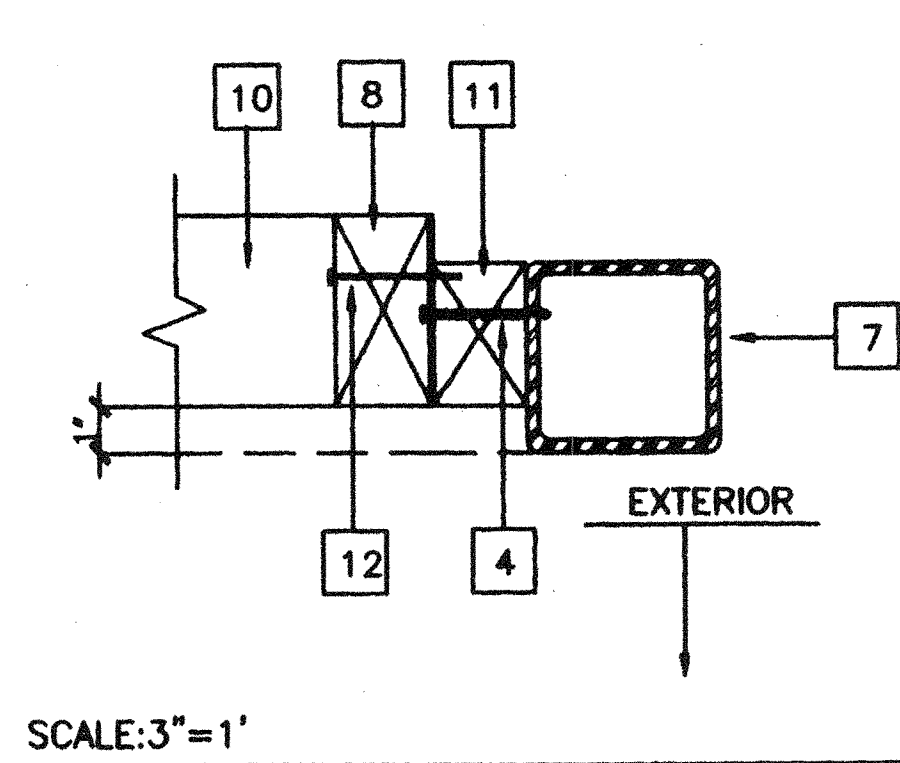
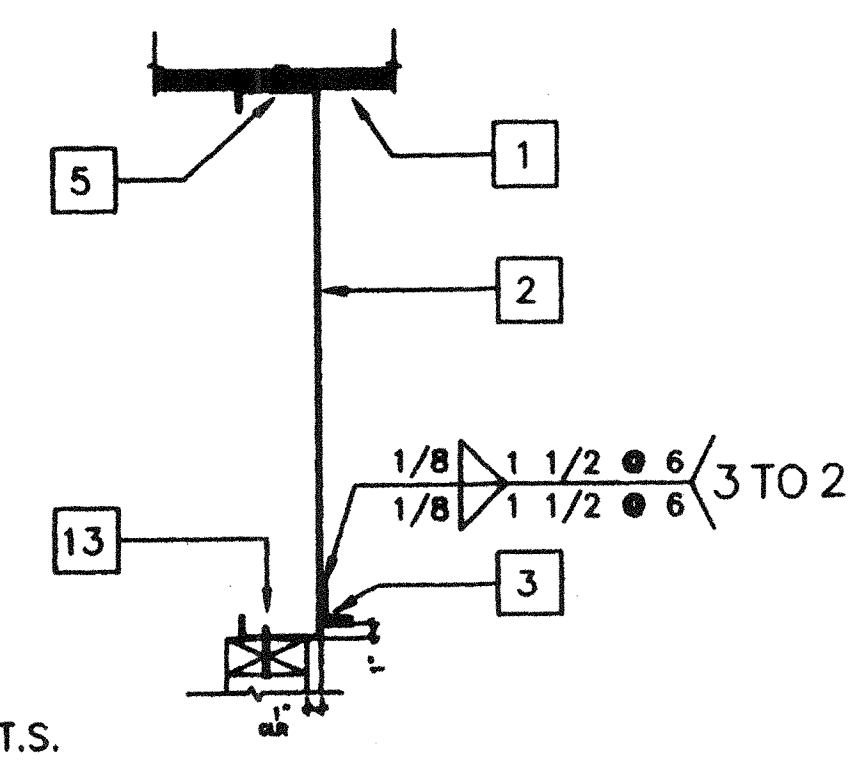


KEY NOTES

- 1 PLYWOOD ROOF SHEETING
- 2 [10GA.X HEADER TYPICAL.
- 3 1 1/2 X 1 1/2 X 16GA. \angle
- 4 #10 S.T.S.M.S @24" O.C. OR 0.145# SHOT PIN AT 24" O.C.
- 5 E.N. PLYWOOD TO ROOF BEAM. (SEE STRUCTURAL)
- 6 FLOOR BEAM (SEE STRUCTURAL)
- 7 TUBE STEEL COLUMN.
- 8 2X4 STUD @ 16" O.C. TYP.
- 9 16d BOX NAILS @ 8" O.C.
- 10 2X4 SILL PLATE.
- 11 2X TRIMMER @ CORNER.
- 12 16d @ 24" O.C.
- 13 #10 S.T.S.M.S @ 16" O.C. OR AEROSMITH AKN 144.0175 DRIVE PIN.



17

13

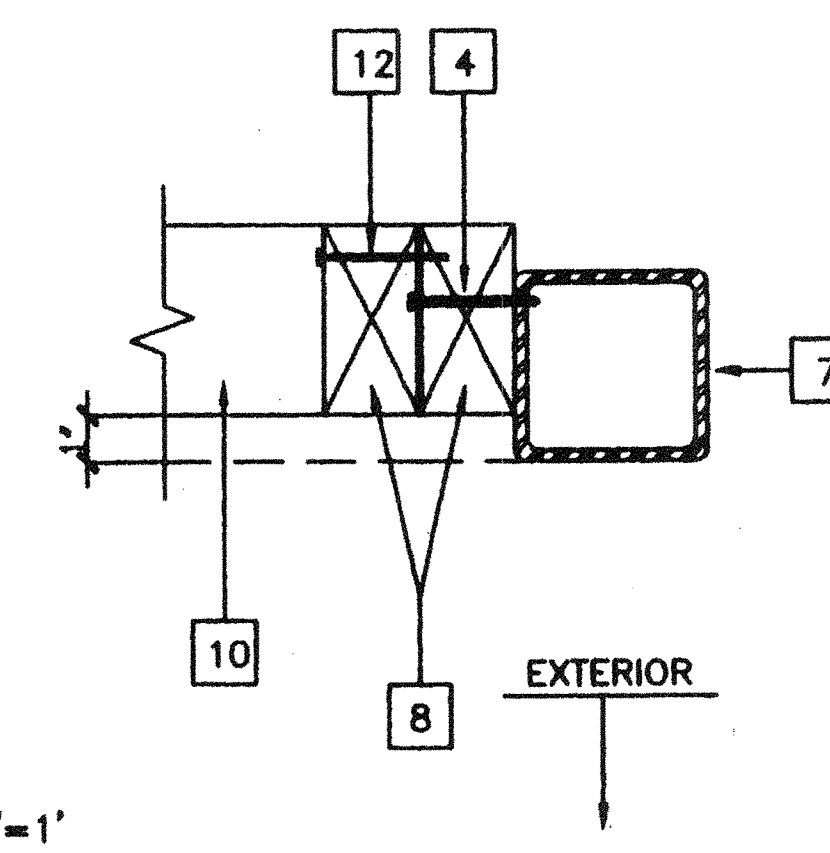
9

END WALL AT ROOF

5

COLUMN AT END WALL

1



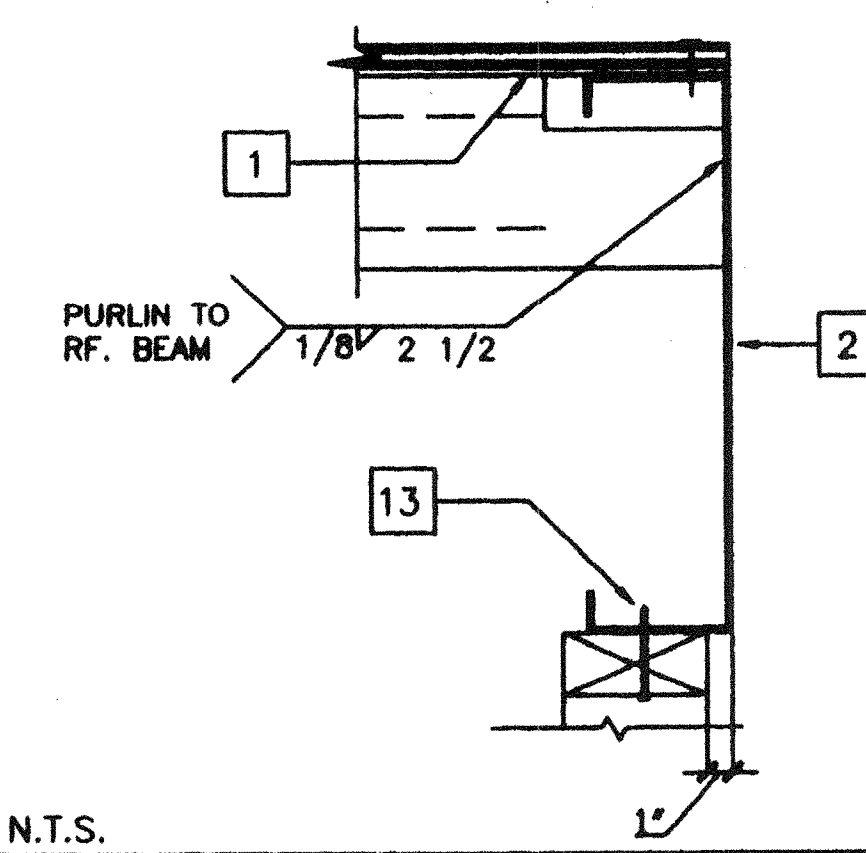
18

14

10

COLUMN AT SIDE WALL

2



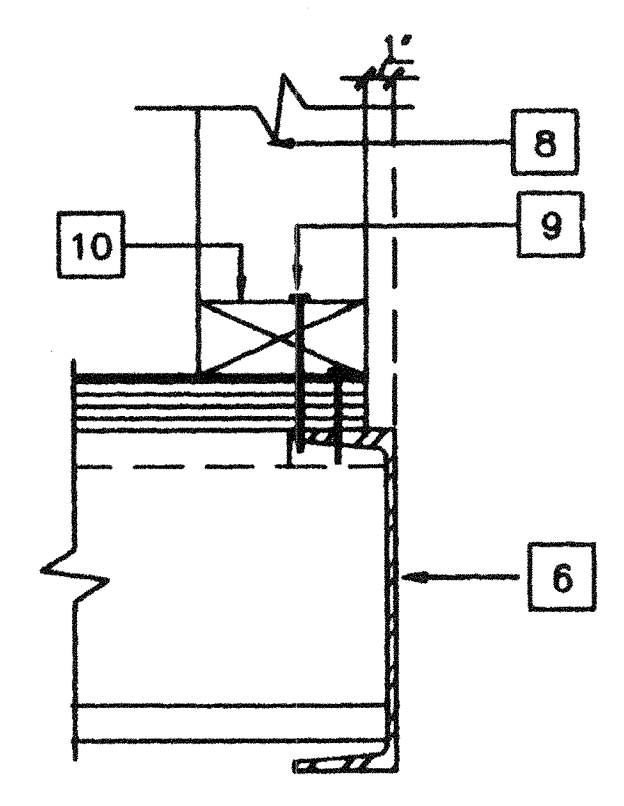
19

15

11

ROOF PURLIN AT ROOF BEAM

3



20

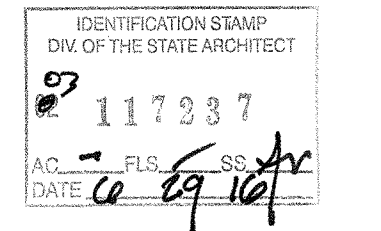
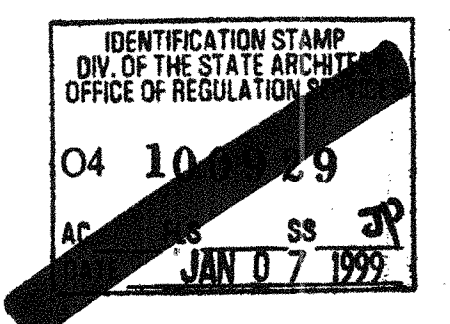
16

REVISED

12

WALL SILL AT FLOOR

4



REVISIONS

1			
2			
3			
4			
5			

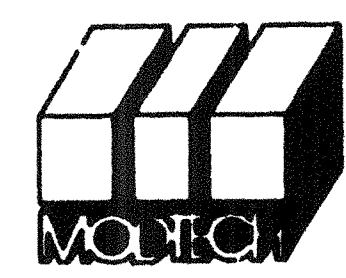
Electrical Engineer's Seal

Mechanical Engineer's Seal

Structural Engineer's Seal

Architect's Seal

Division of the State Architect
OFFICE OF REGULATORY SERVICES
PC 266
DATE JUN 25 1997



MODTECH INC.
2830 BARRETT AVENUE
PERRIS, CALIF. 92572
PH (909) 943-4014
FAX (909) 940-0427

PROJECT NUMBER: 2986 © MODTECH, INC. 1997

STKP-42 11/24/98
drawn by 4012-088
checked by 05 JAN 99
date
Modtech project no.
MODTECH Index No.

WALL FRAMING DETAILS

S5.2