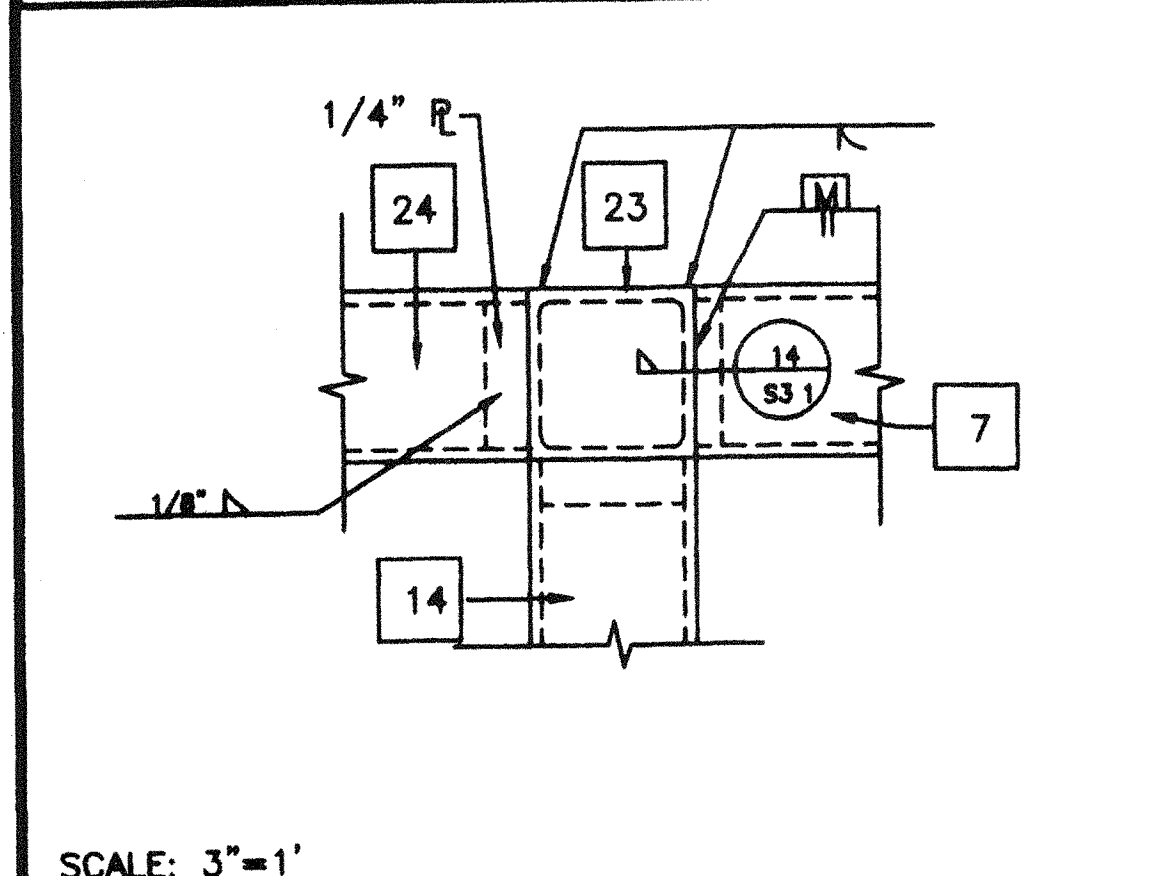
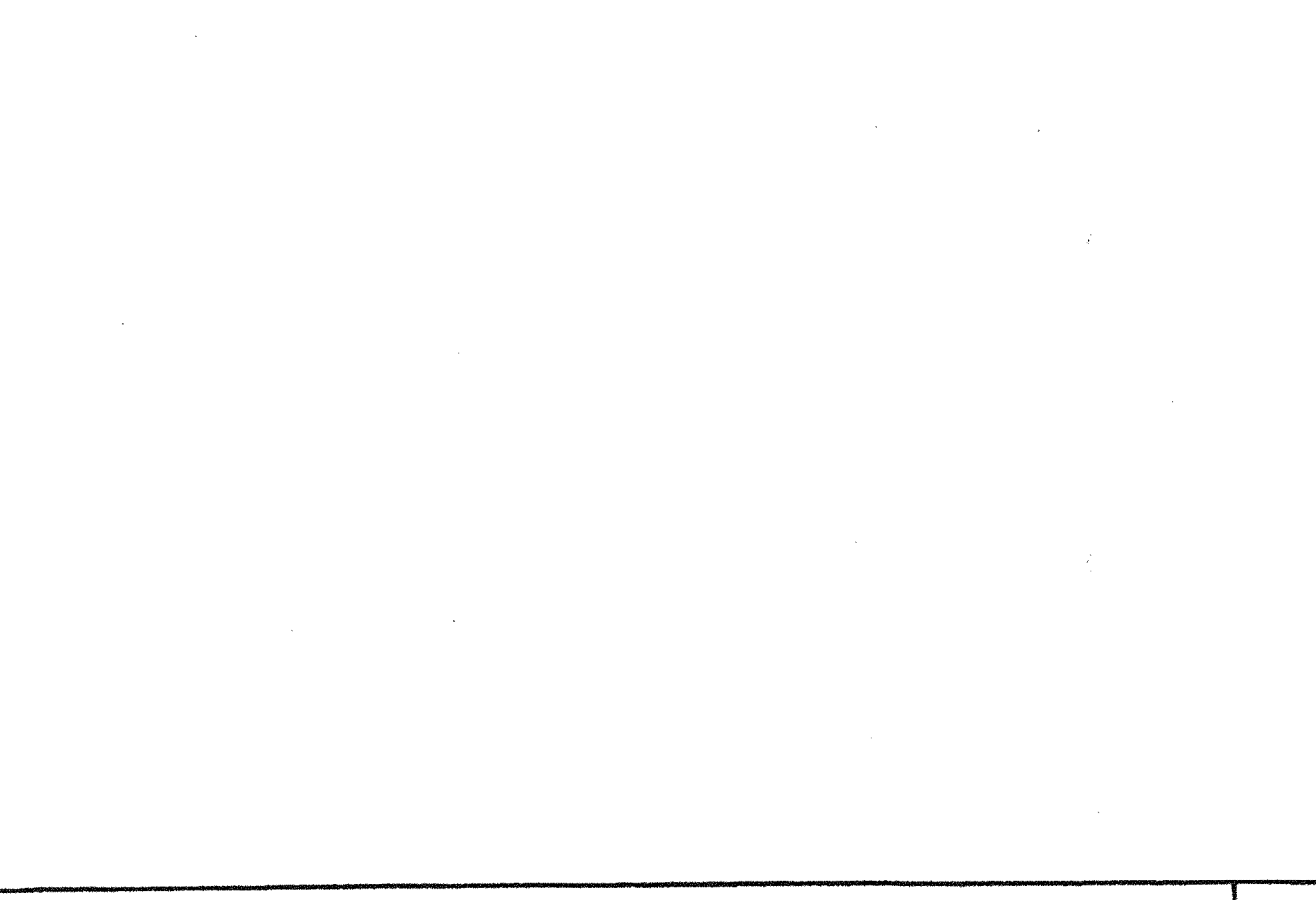


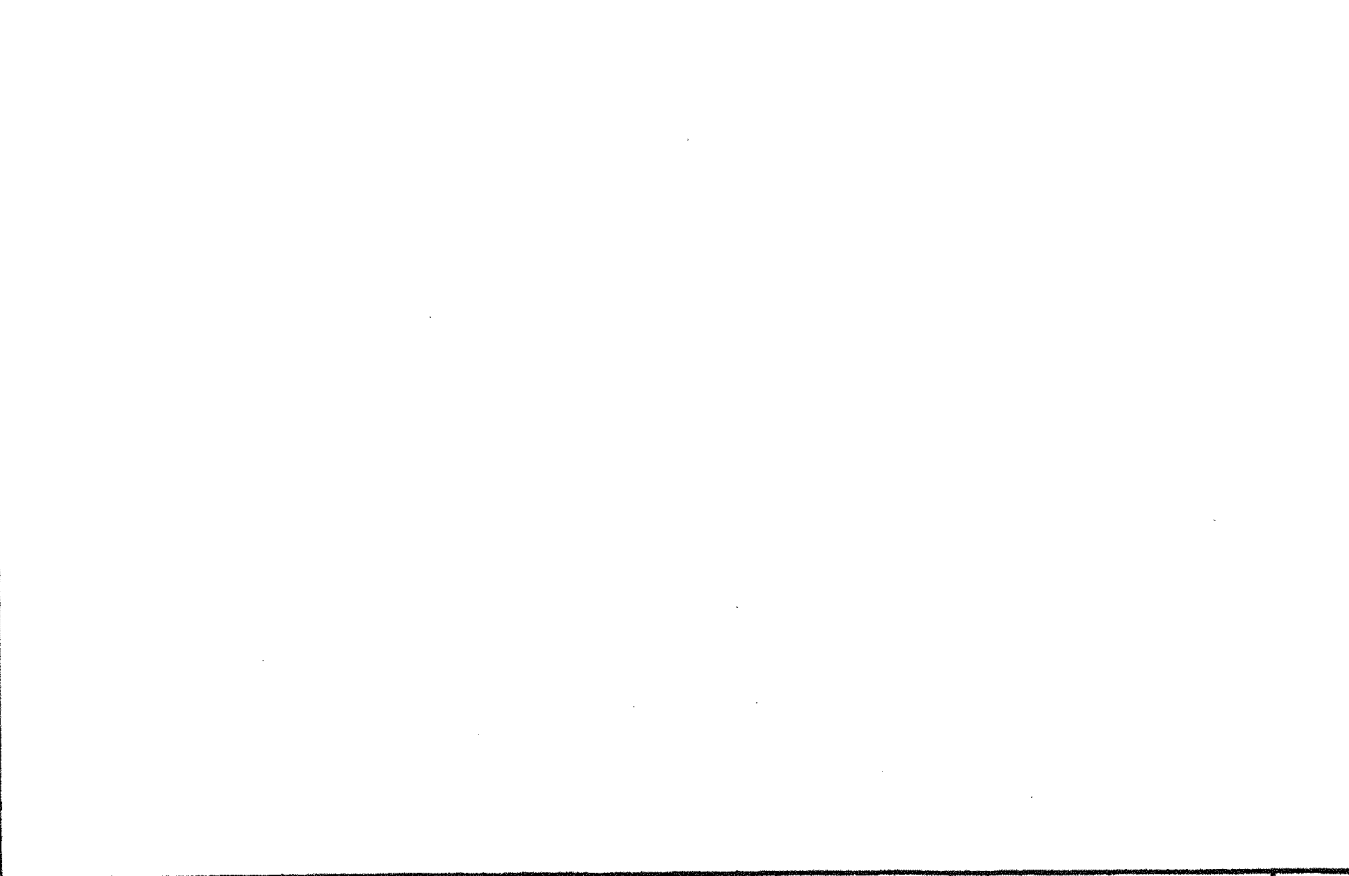
COLUMN SECTION 11



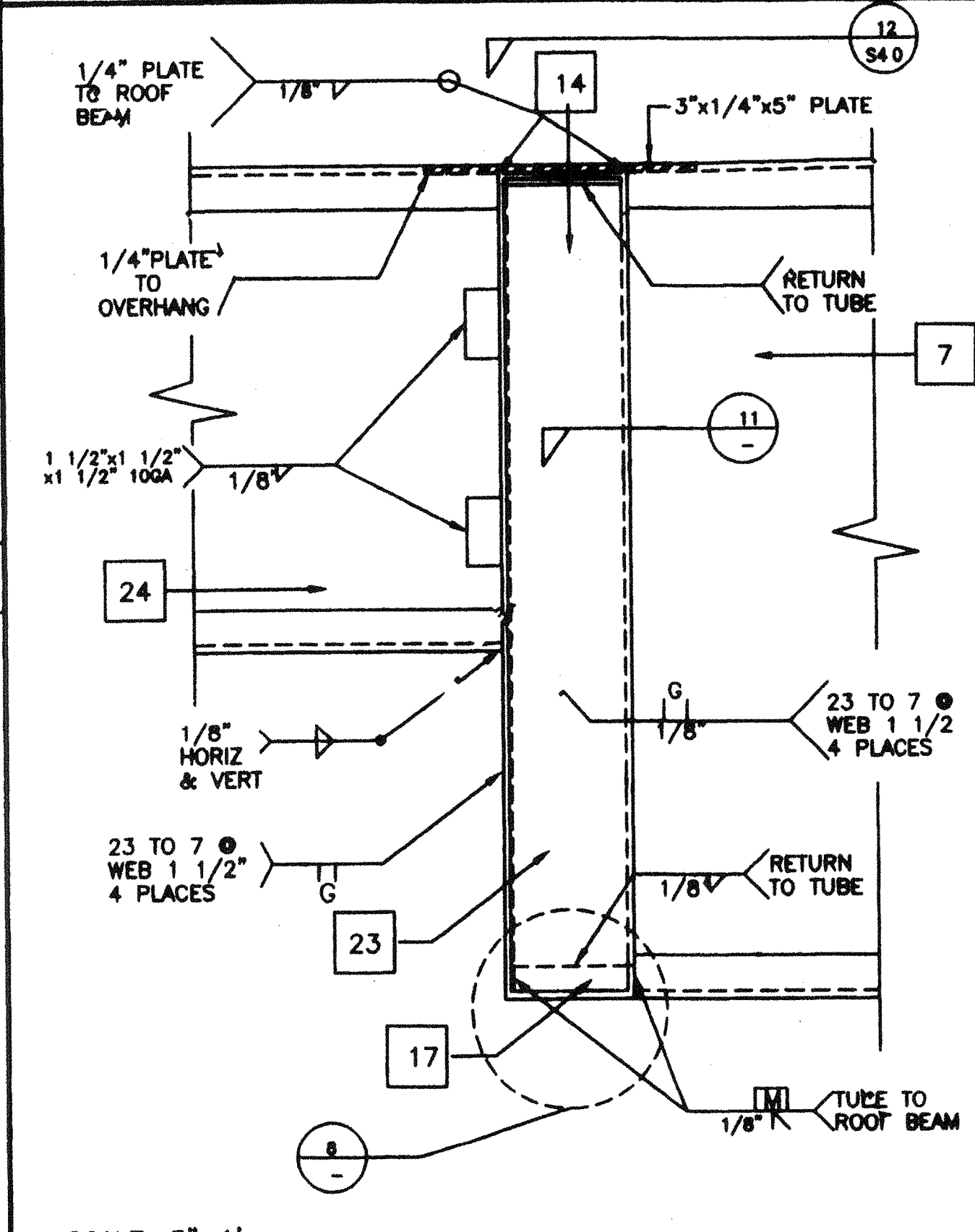
COLUMN CAP PLATE 12



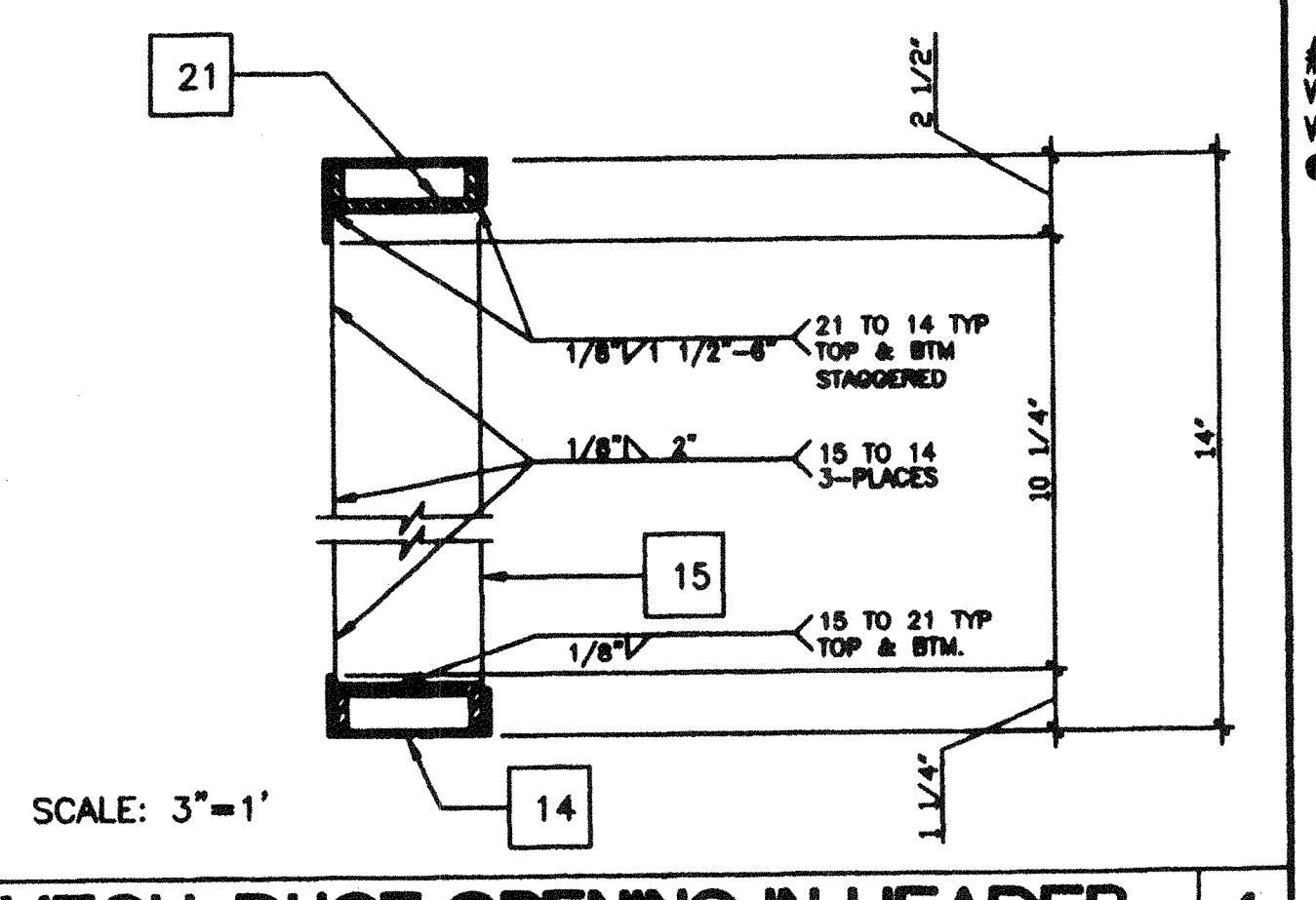
MECH. DUCT OPENING IN HEADER 8



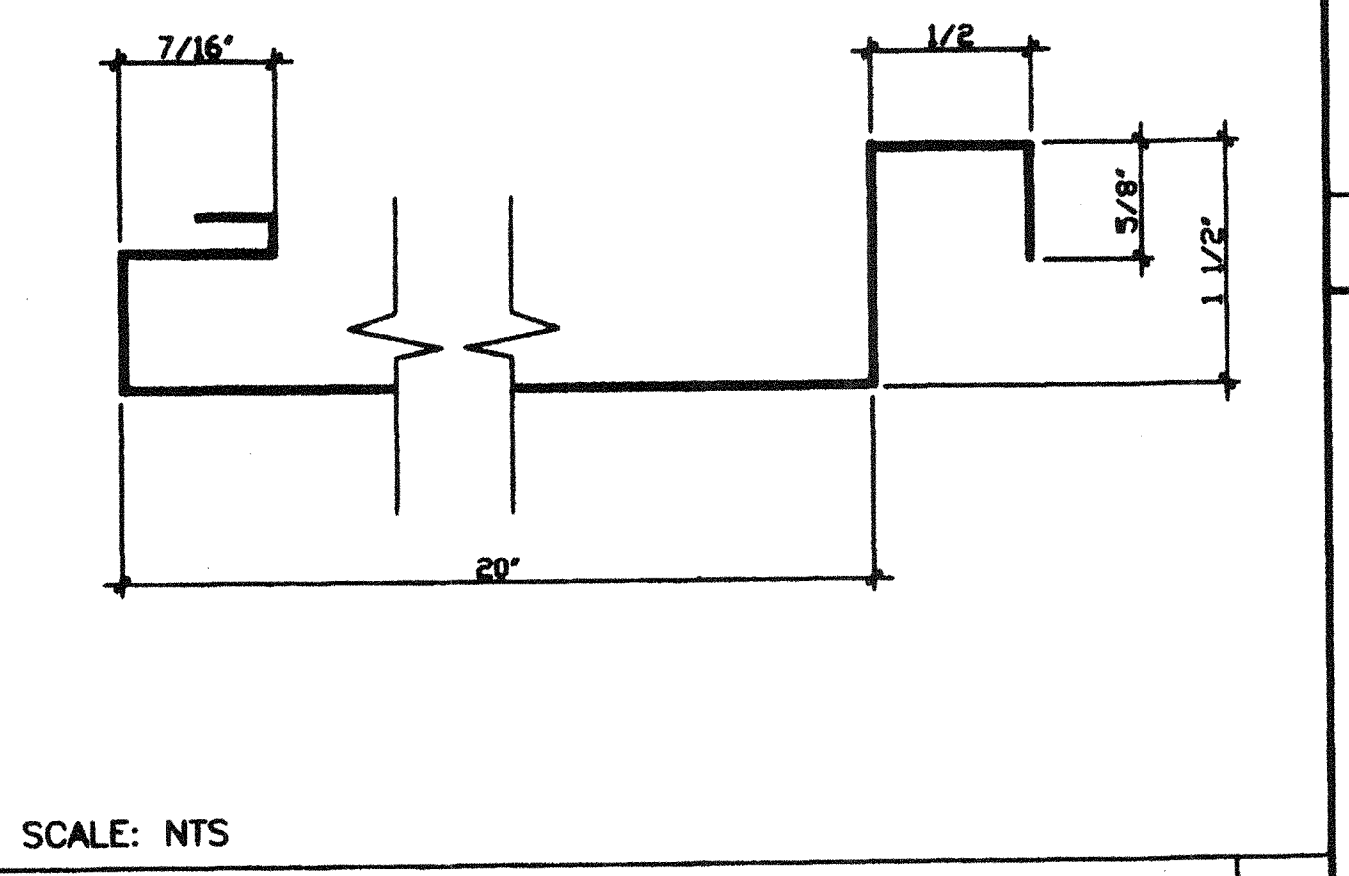
ROOF PAN 9



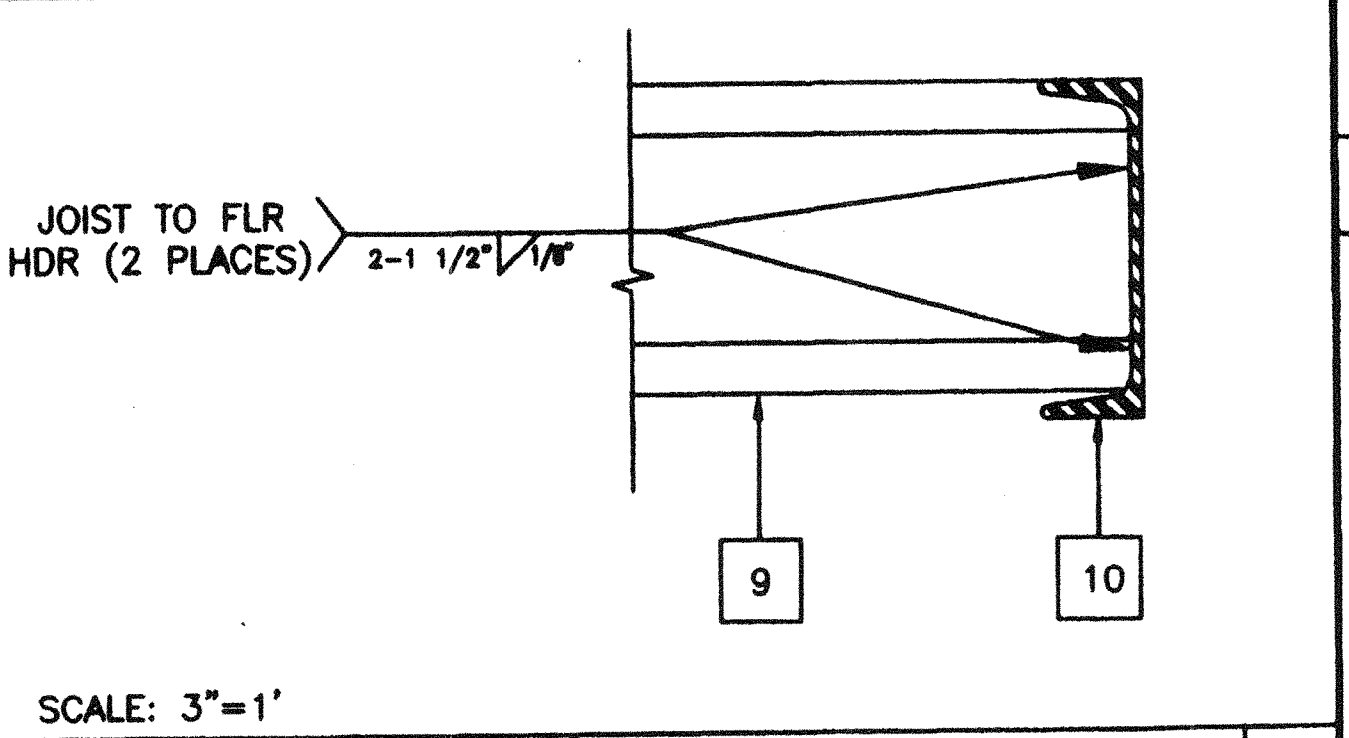
ROOF HEADER AT FRONT OVERHANG 10



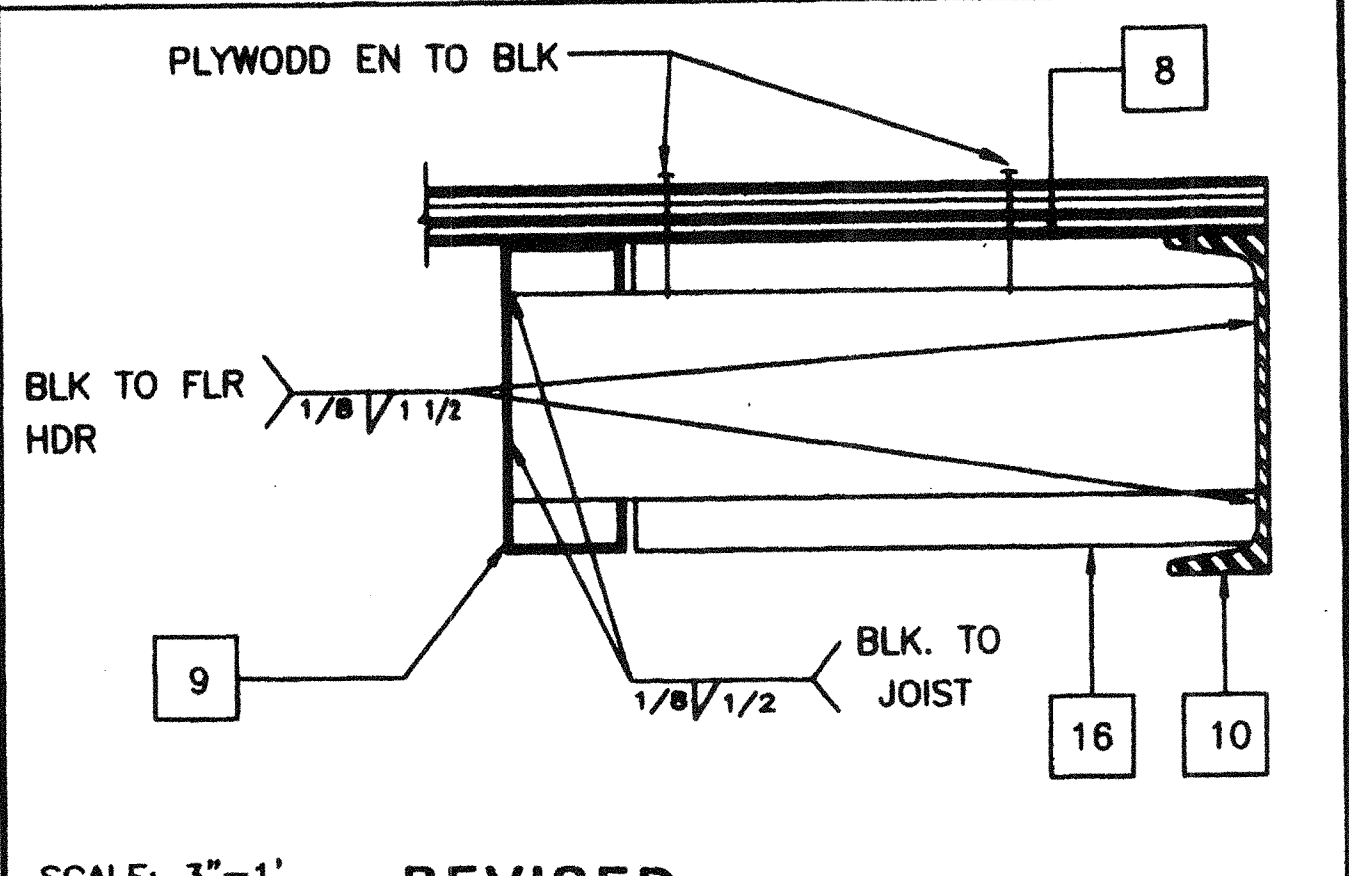
ROOFING AT MODLINE 1



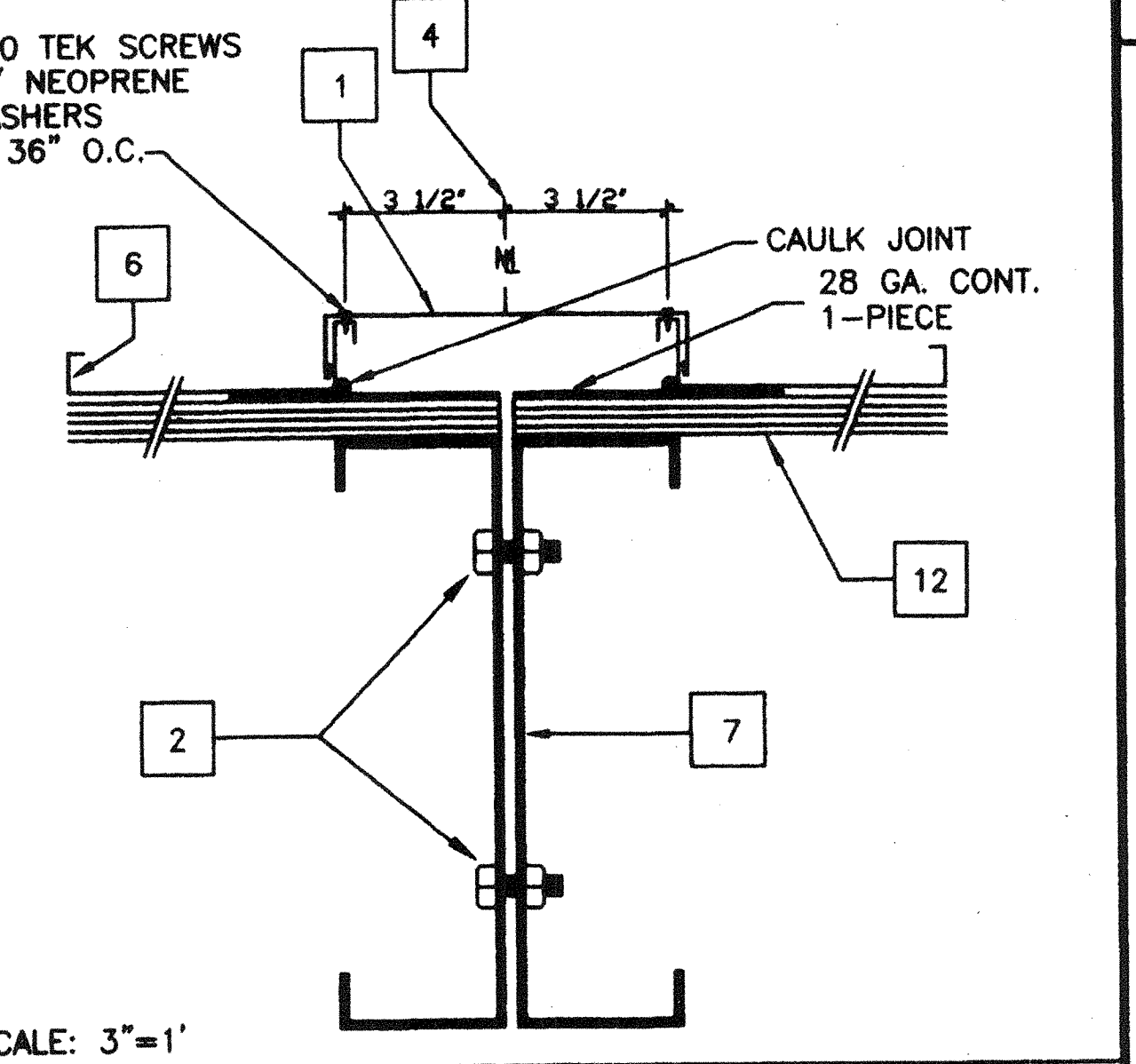
MODULE JOINT AT FLR. 2



FLOOR FRAME/JOIST TO BEAM 6



BLOCK AT MIDSPAN 7



ELEVATION-OPENING 3

KEY NOTES

- 1 CAP CLOSURE @ RIDGE 26GA. GALV. W/#10 TYPE FASTENERS W/NEOPRENE WASHERS TO RIB BOTH SIDES OF MODLINE. SET CAP IN SEALANT SEE DETAIL-
- 2 5/8" M.B. A307 MODULE JOINT (SEE STRUCTURAL PLAN FOR LOCATION) @ 8" O.C.
- 3 E.N.
- 4 MODULE JOINT
- 5 NOT USED
- 6 STANDING ROOF SEAM (SEE A2.0)
- 7 ROOF BEAM (SEE STRUCTURAL) SEE 3/S3.1 & 12/S3.1
- 8 PLYWOOD FLOOR SHEATHING
- 9 FLOOR JOIST 6/S3.1
- 10 FLOOR BEAM (SEE STRUCTURAL 5/S3.1)
- 11 HAND HOLE @ BOLT LOCATION
- 12 PLYWOOD ROOF SHEATHING
- 13 3 1/2"x3 1/2"x1/4" STEEL TUBE COLUMN
- 14 ROOF HEADER (SEE STRUCTURAL 1/S3.1)
- 15 1/4" STIFFENER PLANE SEE 9/S3.1 FOR TYP. WELD
- 16 "C" BLOCKING SEE 6/S3.1
- 17 10GA. BACK-UP PL.
- 18 NOT USED
- 19 NOT USED
- 20 2"x2"x3/16" L
- 21 3 1/4"x1"x45 11/16" LX10GA. CHANNEL TOP & BOTTOM CENTER OF OPENING
- 22 ROOF PURLIN SEE 2/S3.1
- 23 TUBE STEEL (SEE 11/S3.1) STIFFNER COPE TO FIT ROOF BEAM
- 24 ROOF BEAM AT OVERHANG SEE 4/S3.1

REVISIONS

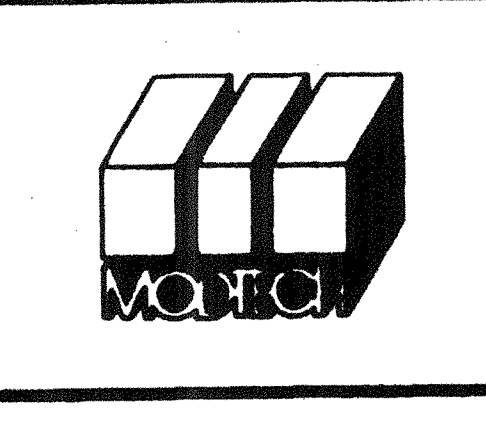
Electrical Engineer's Seal

Mechanical Engineer's Seal

Structural Engineer's Seal

Architect's Seal

Division of the State Architect
IDENTIFICATION STAMP
DIV. OF THE STATE ARCHITECT
OFFICE OF REGULATION SERVICES
PC-266
DATE JUN 23 1997



MODTECH INC.
2830 BARRETT AVENUE
PERRIS, CALIF. 92572
PH (909) 943-4014
FAX (909) 940-0427

PROJECT NUMBER: 2986
© MODTECH, INC. 1997

STKP-42
drawn by 4012-088
checked by 05 JAN 99
date
project no
MODTECH Index No
S4.0

FILE # P266 S40.DWG