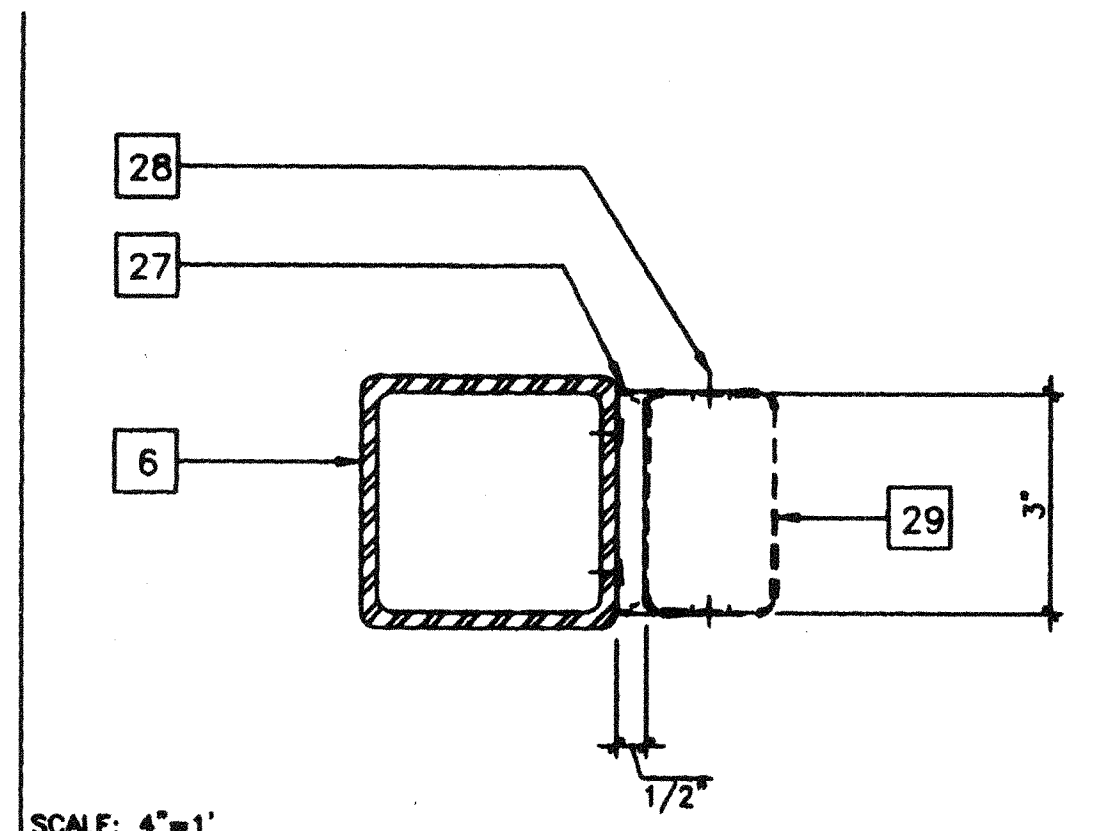
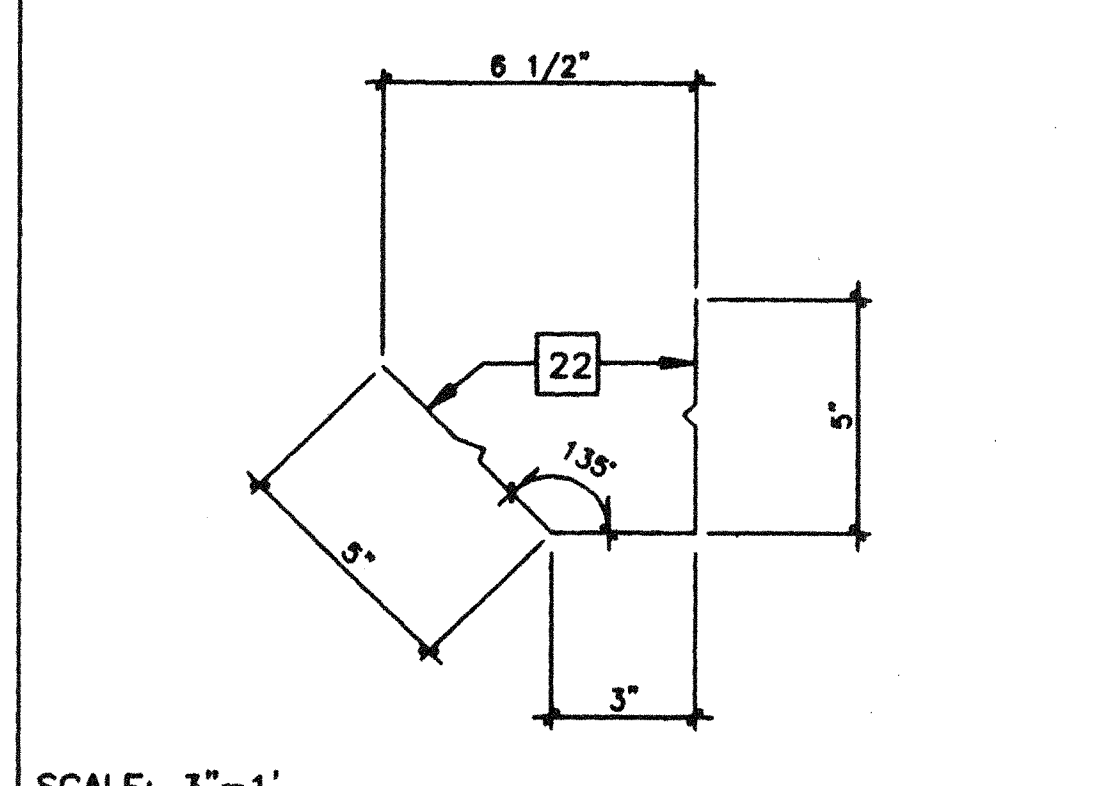


KEY NOTES

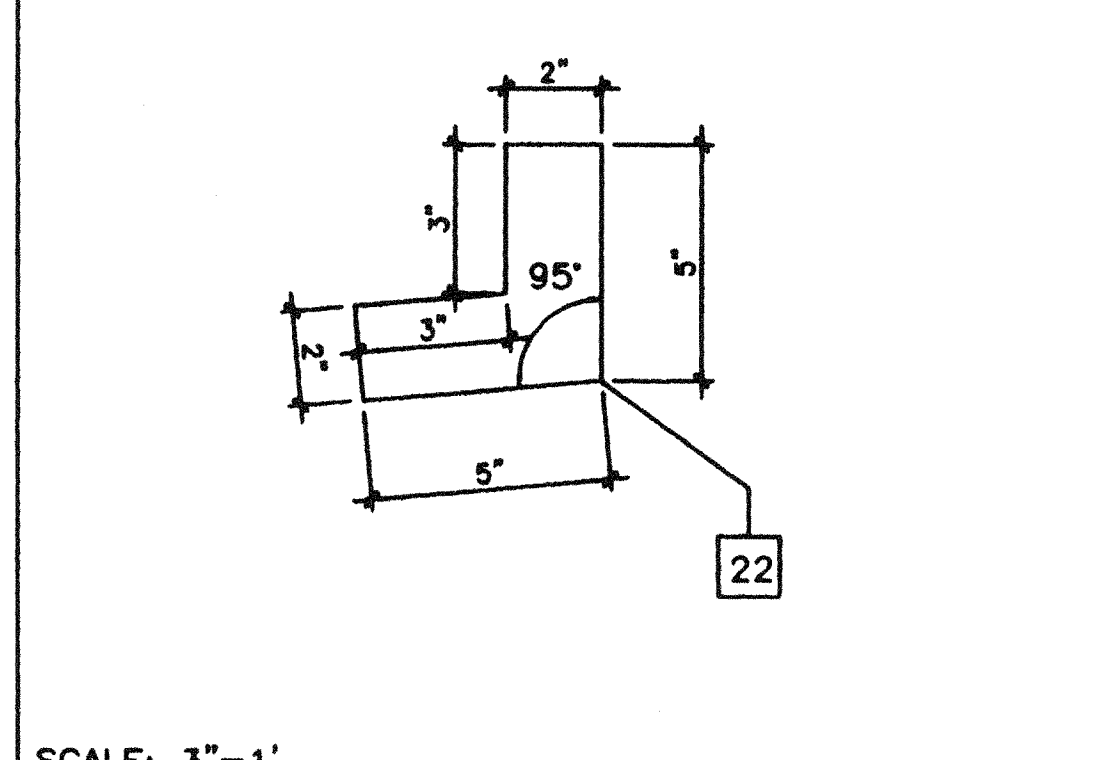
- 1 TYP. INTERIOR FINISH
- 2 TYP. EXTERIOR FINISH
- 3 E.N. RF: PLYWOOD TO BEAM (STR) (DO NOT PENETRATE METAL ROOFING)
- 4 2X4 STUD TYP.
- 5 CAP CLOSURE @ RIDGE 26GA. GALV. W/#10 STSMS @ 12" TAGGER W/NEOPRENE WASHERS TO RIB BOTH SIDES OF MODLINE SET CAP IN SEALANT. TUBE STEEL (STR)
- 6 #10 S.T.S.M.S. @ 6" O.C. EN & 12" O.C. FN / ALT. USE AEROSMITH AKN 144.0175 DRIVE PIN.
- 8 SEALANT TYP. (SEE SPECIFICATIONS)
- 9 EXTERIOR WALL (SEE S5.2 FOR CONNECTIONS)
- 10 SOFFIT (SEE SPECIFICATIONS)
- 11 ROOF BEAM (STR)
- 12 .080 X 1 1/2" SCREW SHANK NAILS ROOF CLIP TO ROOF DECKING (SEE NOTE 18 FOR ROOF CLIP)
- 13 PLYWOOD ROOF SHEATHING (STR)
- 14 FULL DEPTH STIFFENER PLATE (SEE (STR) FOR LOCATION)
- 15 ANCHOR CLIPS @ 24" O.C. & WITHIN 6" @ END OF ROOF DECKING
- 16 ROOF HEADER (STR)
- 17 G.I. FLASHING 22GA.
- 18 STANDING SEAM ROOF (SEE A2.0 FOR GA.)
- 19 ROOF PURLIN (STR)
- 20 CONTINUOUS 2X4 TOP PLATE
- 21 GALV. FLASHING (ONLY AT CONCRETE BELOW GRADE FOUNDATION)
- 22 CONTINUOUS 26GA. GUTTER
- 23 WEATHERPROOF MEMBRANE (25-30LBS. ASPHALT COATED)
- 24 FLOOR BEAM (STR)
- 25 2X4 SILL PLATE ATTACHED PER 4/S5.2'
- 26 SEALANT @ END OF SEAM
- 27 ATTACHMENT BRACKET (TYP. 3-PLACES, TOP, BTM., & MIDSPAN W/2-#10STSMS BRACKET TO COLUMN)
- 28 POP RIVETS MIN. 1/8"
- 29 DOWNSPOUT
- 30 PLYWOOD FLOOR SHEATHING
- 31 ROOF FACIA HEADER (STR)
- 32 1/2"x1 1/2"x14GA. < TACK WELD IN PLANT
- 33 GALVANIZED COUNTER FLASHING (BY OTHERS)
- 34 EN (Bd ELECTRO GALV. @ 6" O.C.)



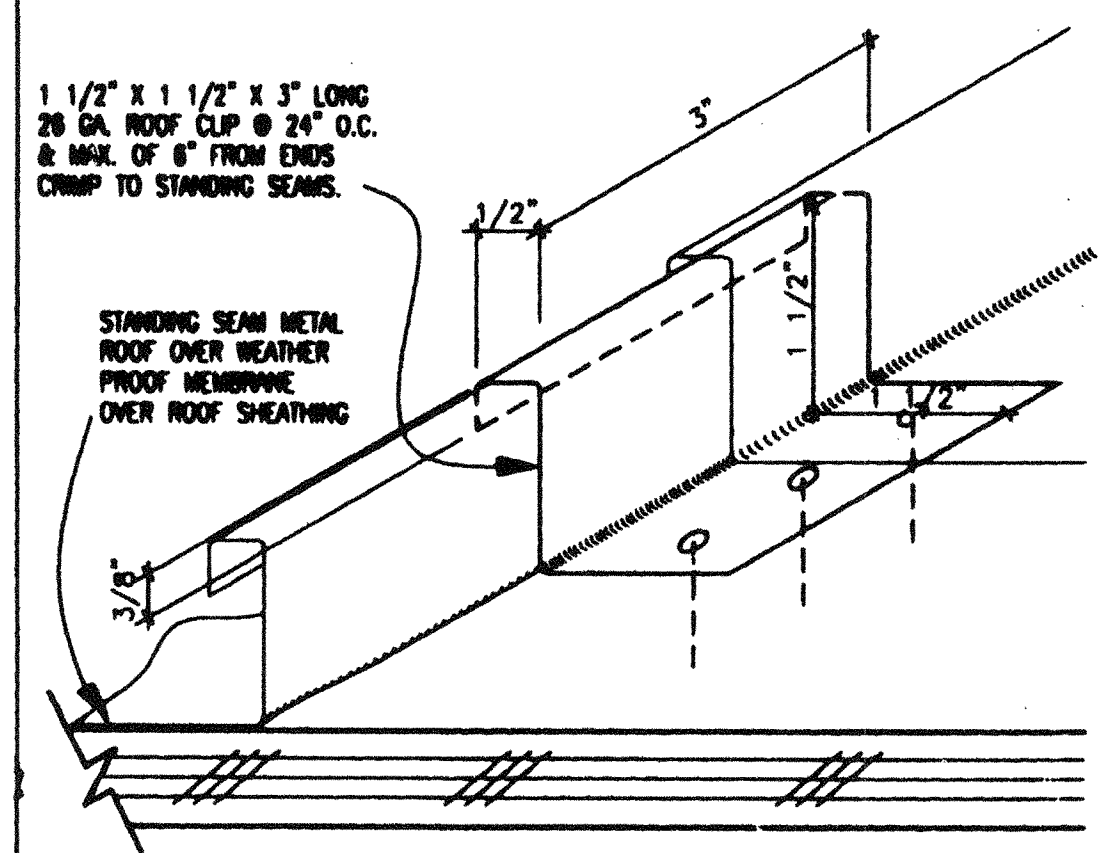
SCALE: 4"=1' **DOWNSPOUT ATTACHMENT** 8



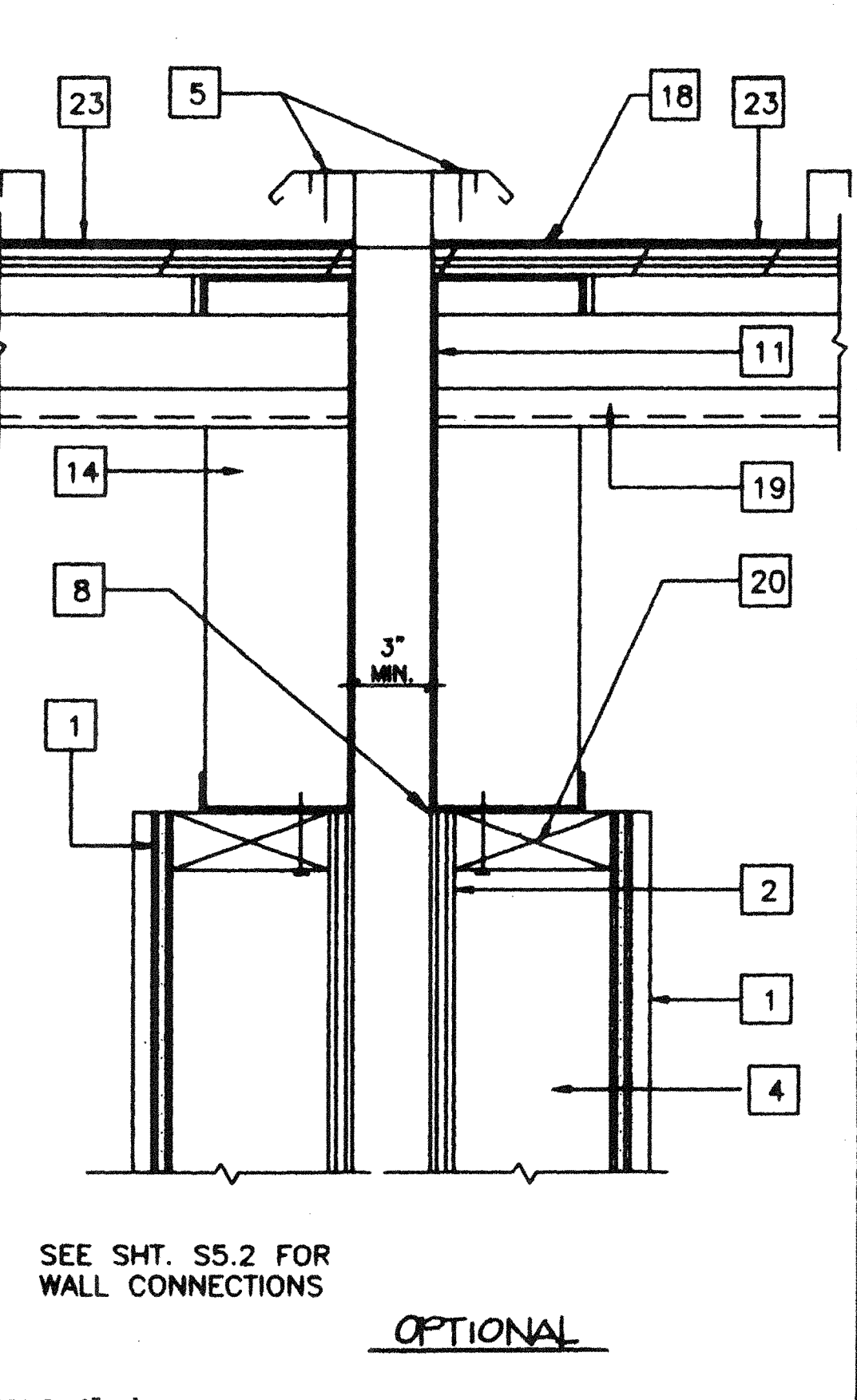
SCALE: 3"=1' **CONTIN'S GUTTER** 9



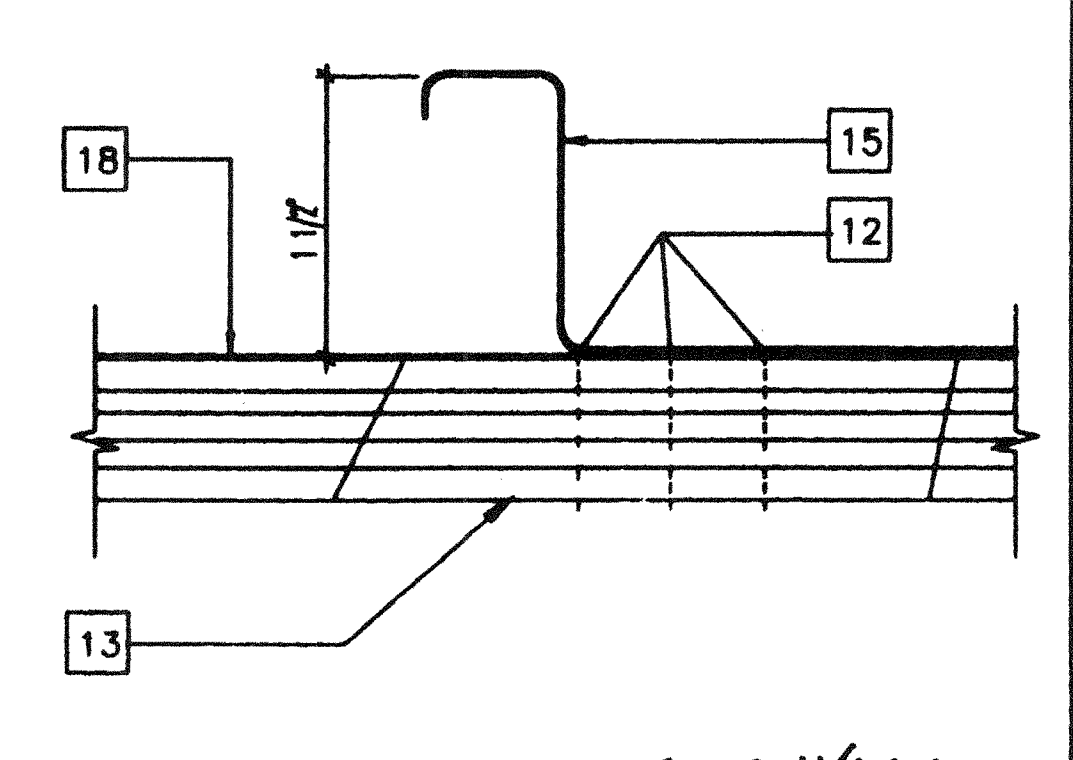
SCALE: 3"=1' **CONTIN'S GUTTER AT BEND** 10



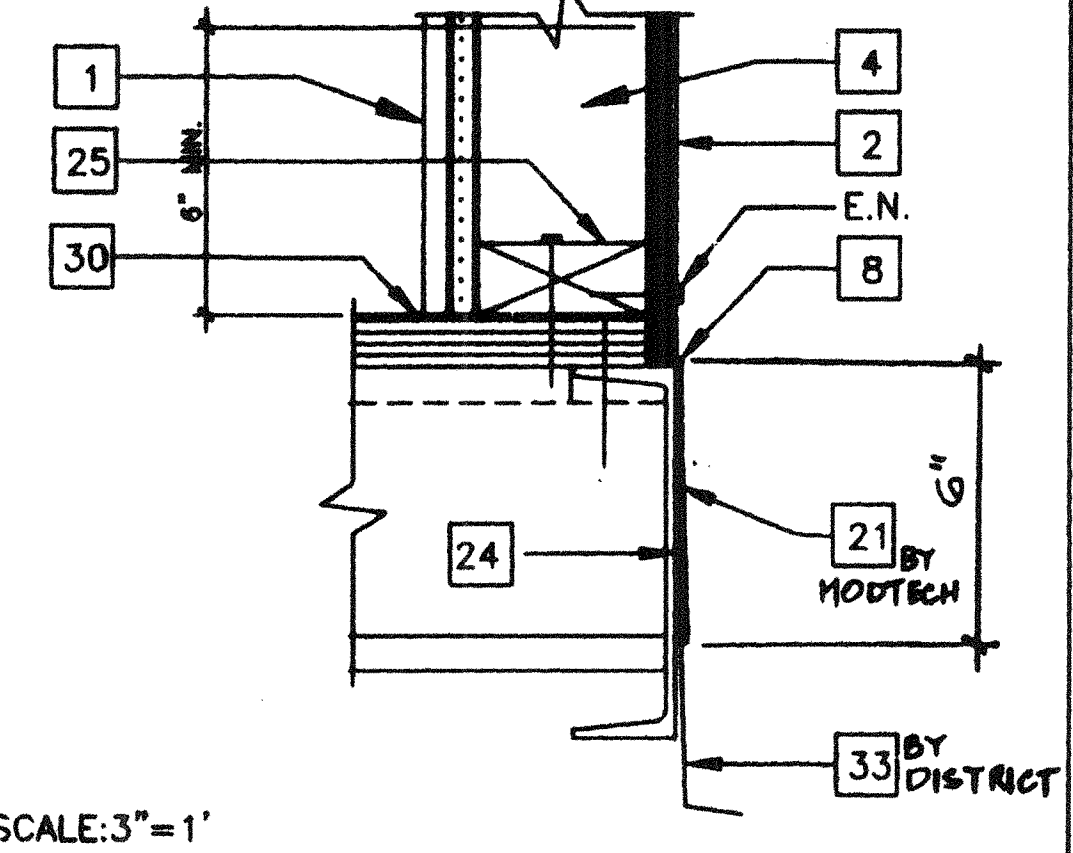
SCALE: 3"=1' **ROOF CLIP** 10



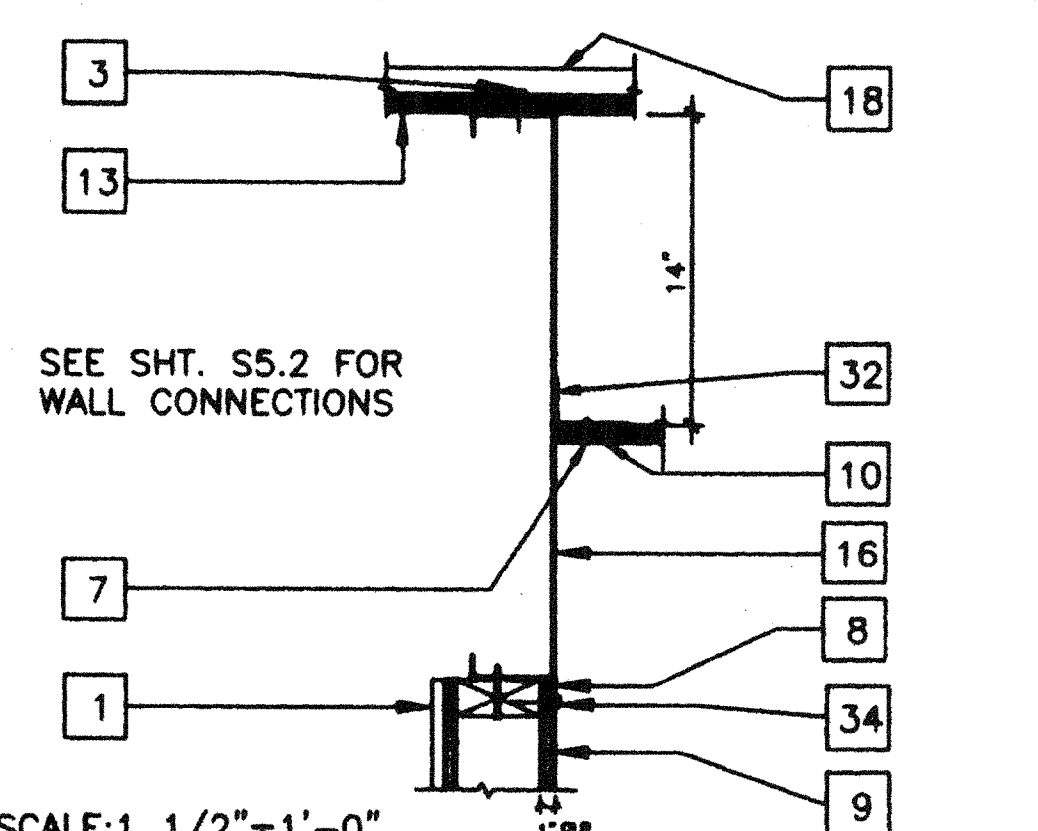
SCALE: 3"=1' **ROOF CAP AT SEP.** 5



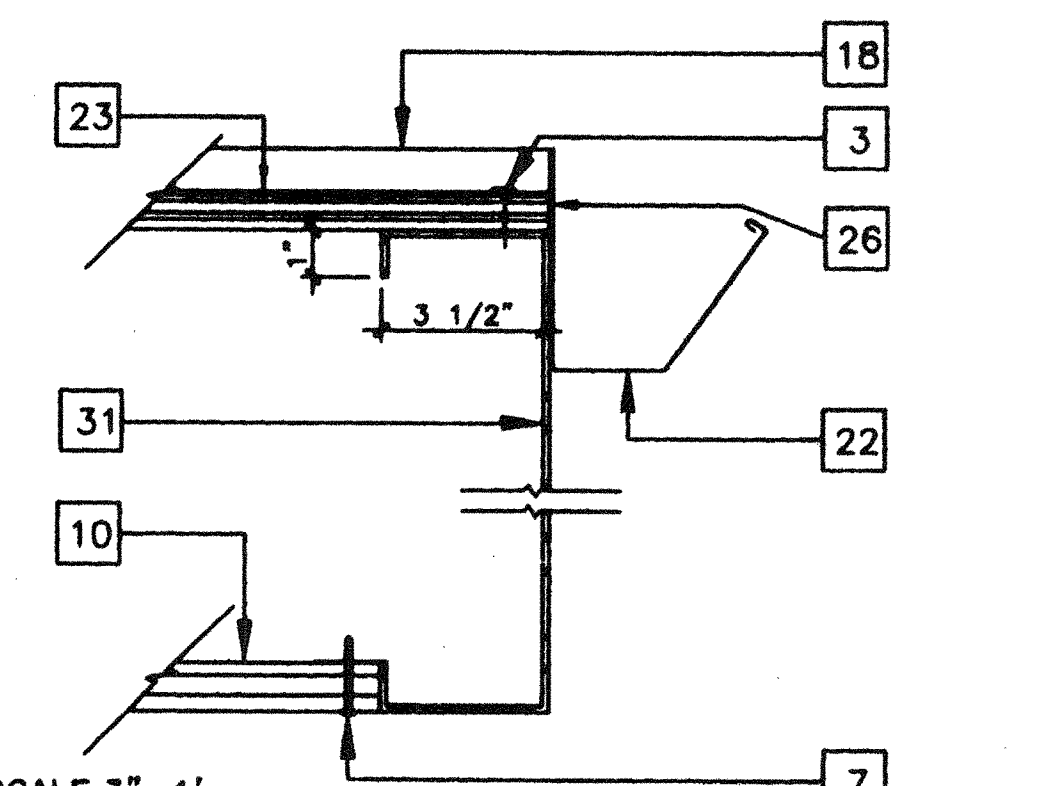
SCALE: FULL **GUTTER AT RF. FACIA BM.** 2



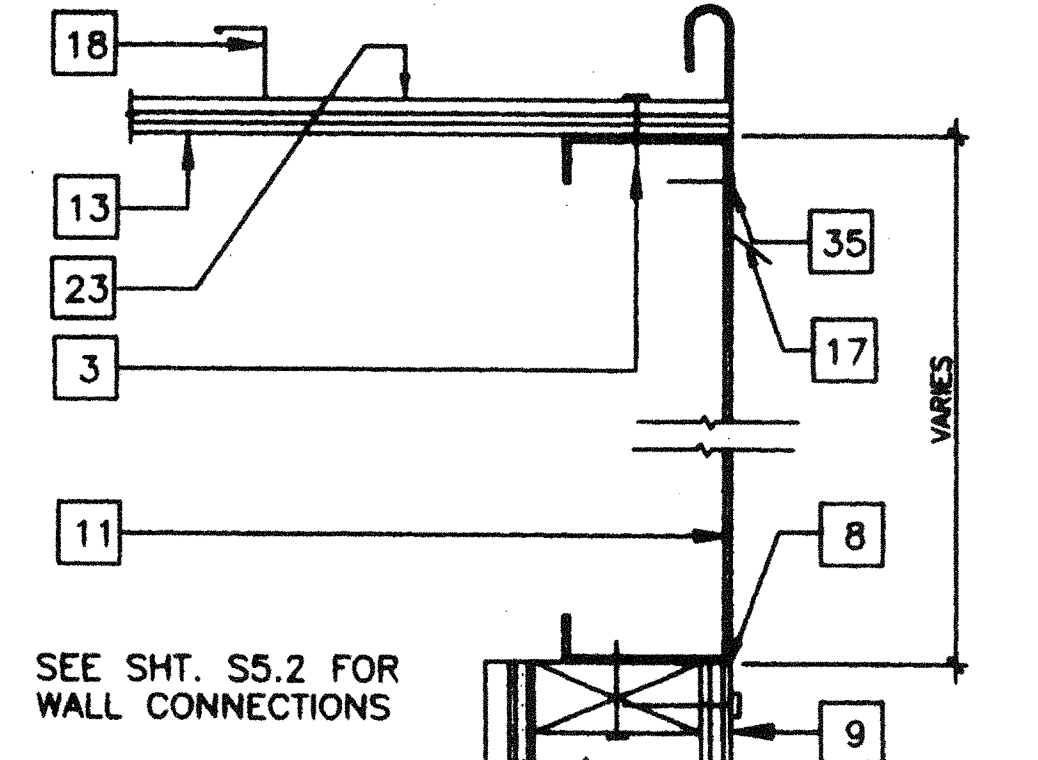
SCALE: 3"=1' **TYPICAL SILL AT FLOOR** 7



SCALE: 1 1/2"=1'-0" **END WALL AT ROOF** 1



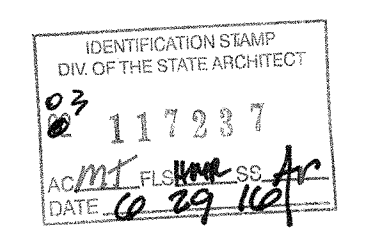
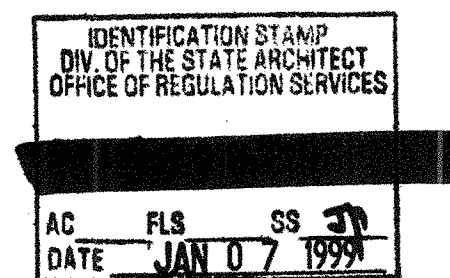
SCALE: 3"=1' **GUTTER AT RF. FACIA BM.** 2



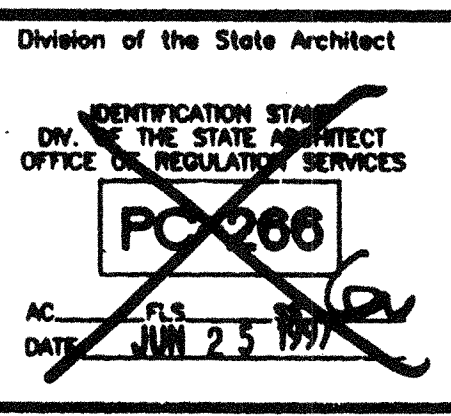
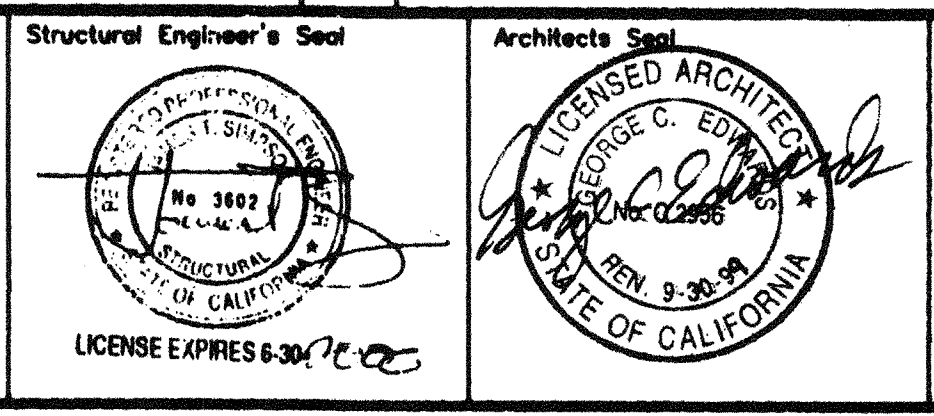
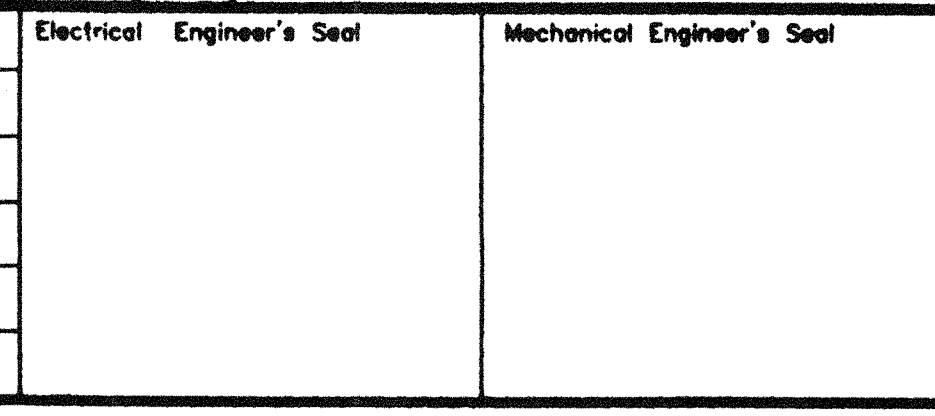
SCALE: 3"=1' **ROOF FLASHING AT RF. BM.** 3



SCALE: 3"=1' **TYPICAL SILL AT FLOOR** 7



REVISIONS	Electrical Engineer's Seal	Mechanical Engineer's Seal	Structural Engineer's Seal	Architect's Seal	Division of the State Architect	MODTECH INC.	PROJECT NUMBER: 2986	© MODTECH, INC. 1997	drawn by: 4012-088	checked by: 05 JAN 99	2986



**MODTECH INC.**  
 2830 BARRETT AVENUE  
 PERRIS, CALIF. 92572  
 PH (909) 943-4014  
 FAX (909) 940-0427

**ARCHITECTURAL DETAILS**

**STKP-42** 11/24/98  
**A6.1**