

**KEY NOTES**

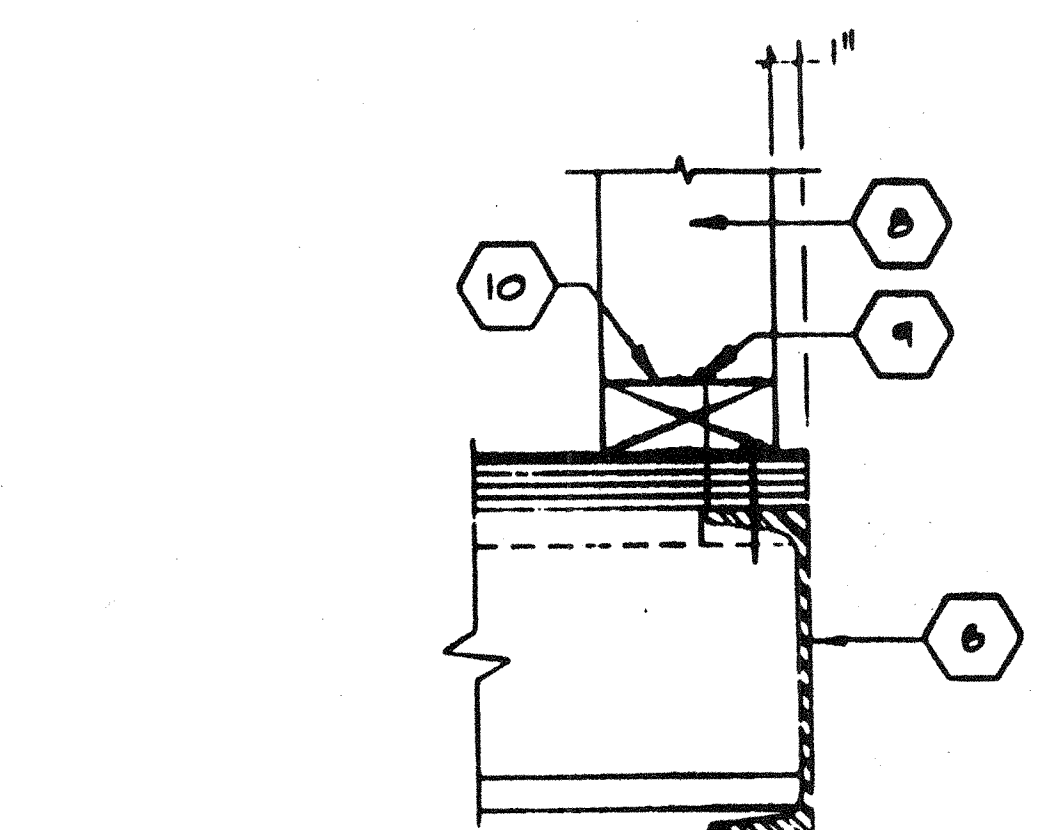
- 1 22 GA FL. ROOF DECK
- 2 1" x 4" x 14" HEADER
- 3 NOT USED
- 4 10 STBS @ 16" OC
- 5 STANDING SEAM ROOF TO DECK (SEE STRUCTURAL)
- 6 FLOOR BEAM (SEE STRUCTURAL)
- 7 TUBE STEEL COLUMN
- 8 2x4 BRD @ 16" OC TRF
- 9 6d BOX NAIL @ 16" OC
- 10 2x4 FILL PLATE
- 11 2x4 TRIM @ CORNER
- 12 1x2 @ 24" OC TRF
- 13 1" x 2 STBS @ 16" OC
- 14 2x4 TRIM
- 15 RICE BEAM

1. ALTERNATE: USE 0.1450 CHOLIM @ SAME SPACING AS 1" x 2 STBS

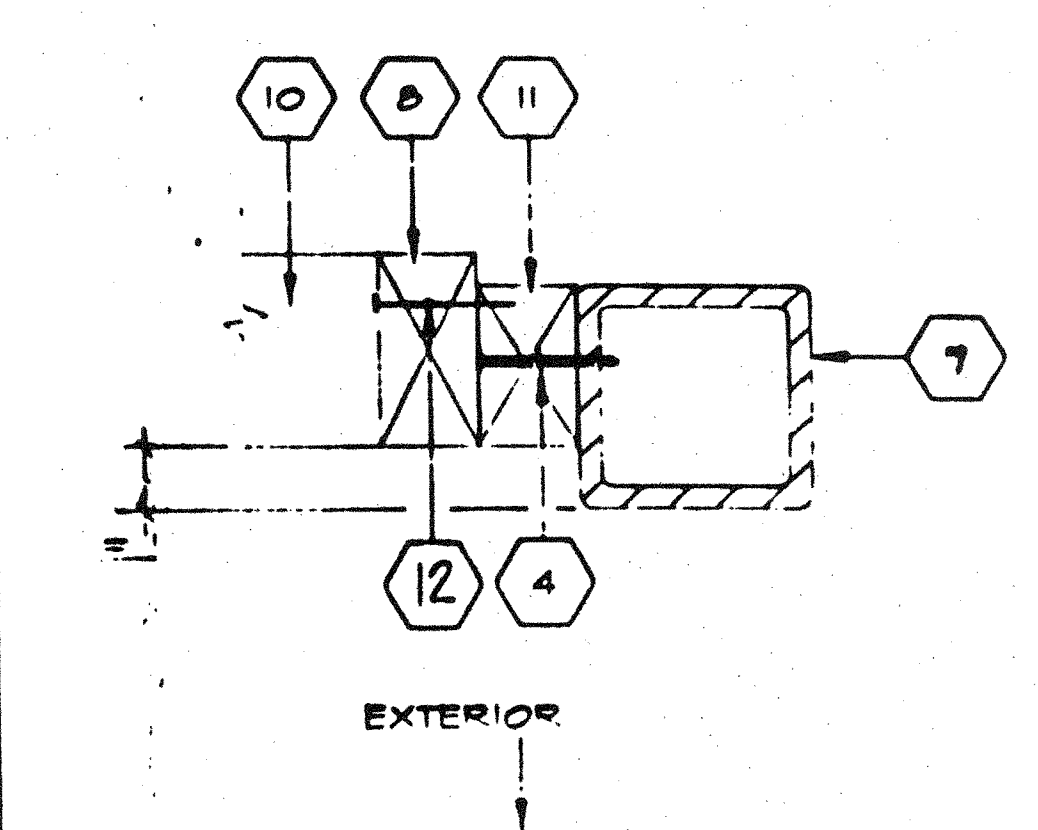
IDENTIFICATION STAMP  
DIV. OF THE STATE ARCHITECT  
OFFICE OF REGULATION SERVICES  
AC: [Signature] FLS: [Signature] SS: [Signature]  
DATE: AUG 10 1998

IDENTIFICATION NUMBER  
DIV. OF THE STATE ARCHITECT  
117337  
DATE: 6/29/10

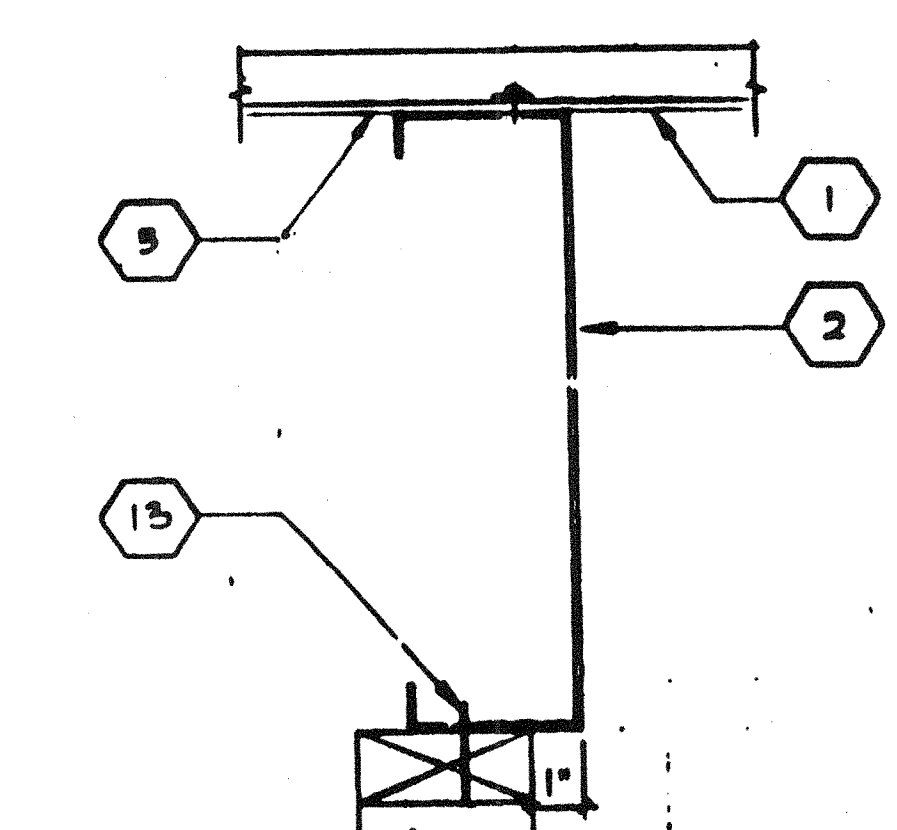
STKP-39



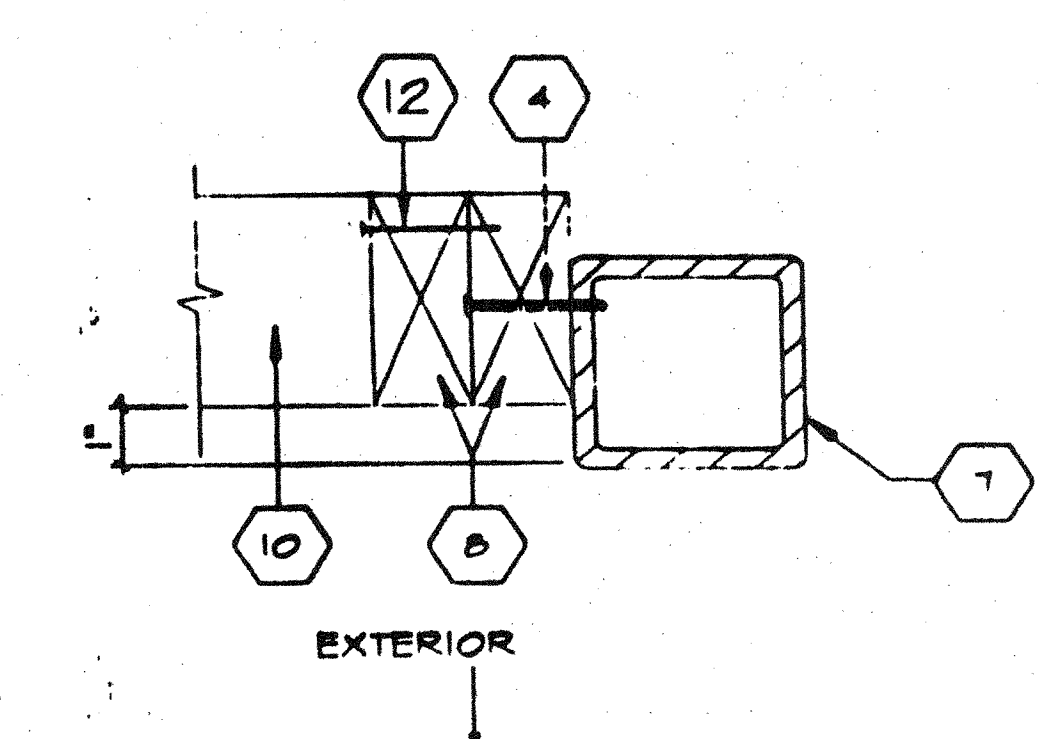
SCALE: 3/4"=1'  
PLATE @ FLOOR (4)



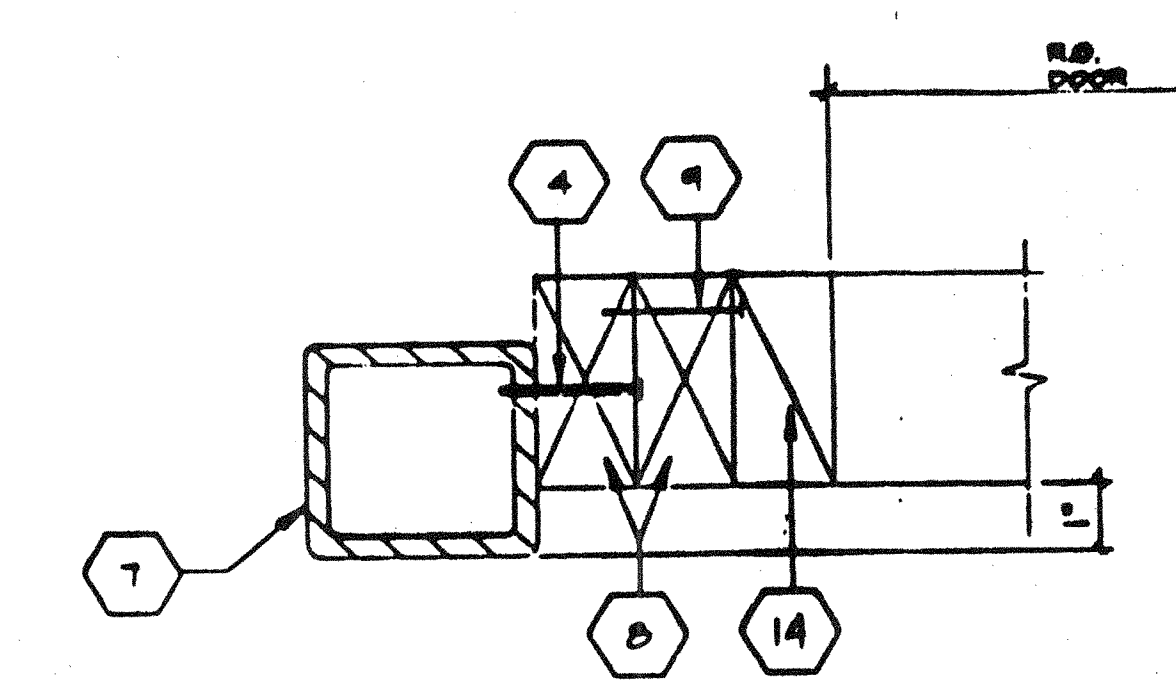
SCALE: 4"=1'  
COLUMN @ SIDEWALL (1)



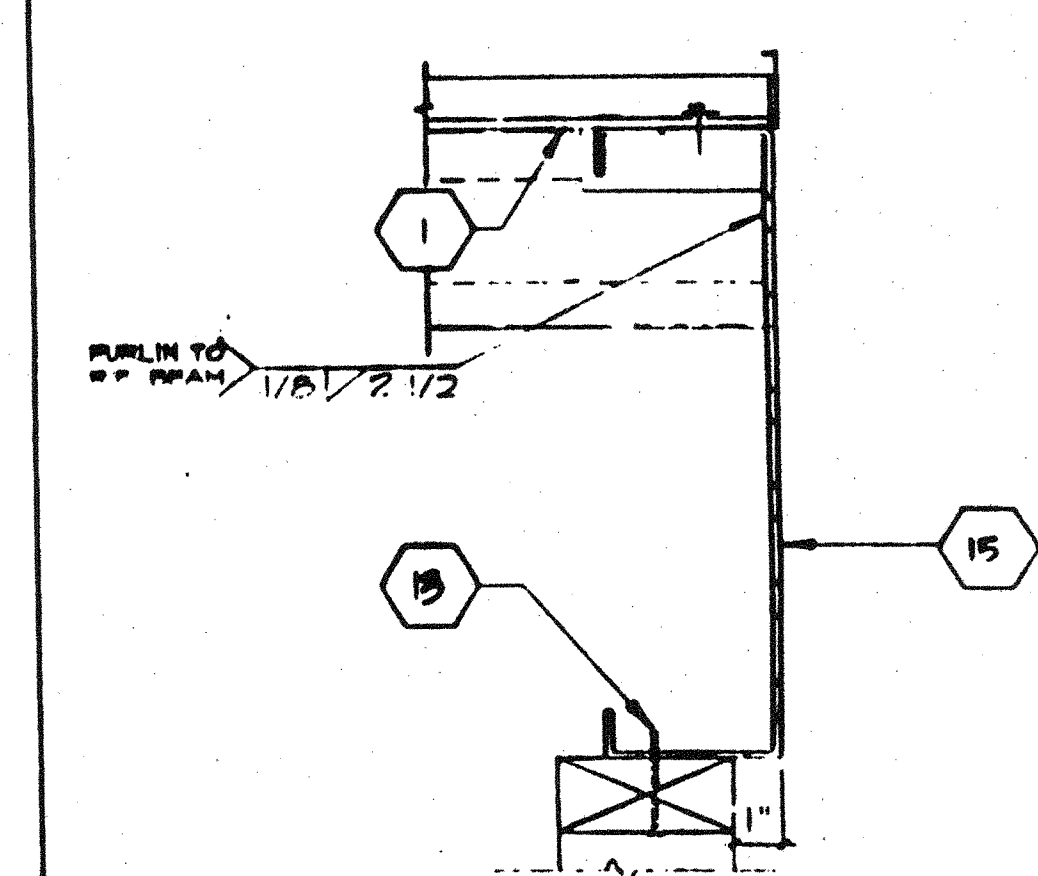
SCALE: 3/4"=1'  
END WALL @ ROOF HEADER (5)



SCALE: 4"=1'  
COLUMN @ ENDWALL (2)

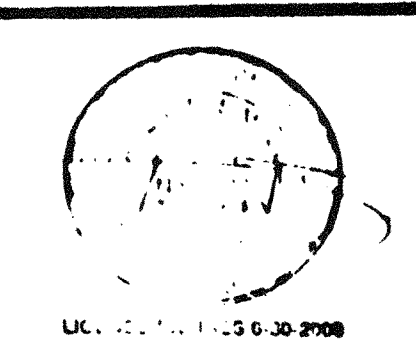
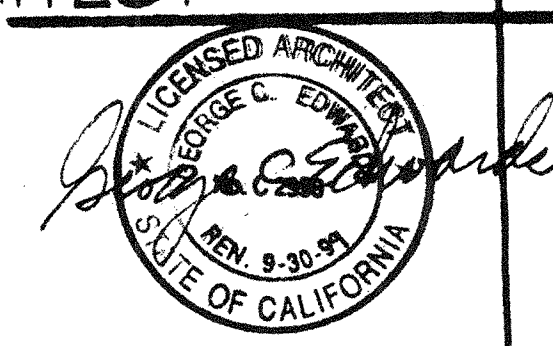


SCALE: 4"=1'  
COLUMN @ END WALL W/DOOR (6)

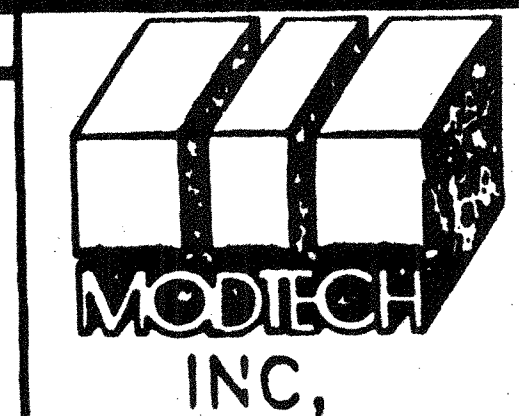


SCALE: 3/4"=1'  
ROOF PURLIN @ ROOF BEAM (3)

ARCHITECT    ELECTRICAL    STRUCTURAL    MECHANICAL    FIRE MARSHAL    ACCESS COMPLIANCE    STRUCTURAL SAFETY



PC  
1.19.98



FRAMING ELEVATIONS AND DETAILS  
2926  
4012-084

2867  
2926  
S5.1