

OPENING SCHEDULE

FINING	HDR.	SILL	JAMB	HEIGHT	WIDTH
288	(1) 2x4	(2) 2x4	2-2x4 #	81 1/4"	58"
040	(2) 2x4	(2) 2x4	3-2x4 #	48 1/8"	96 1/8"

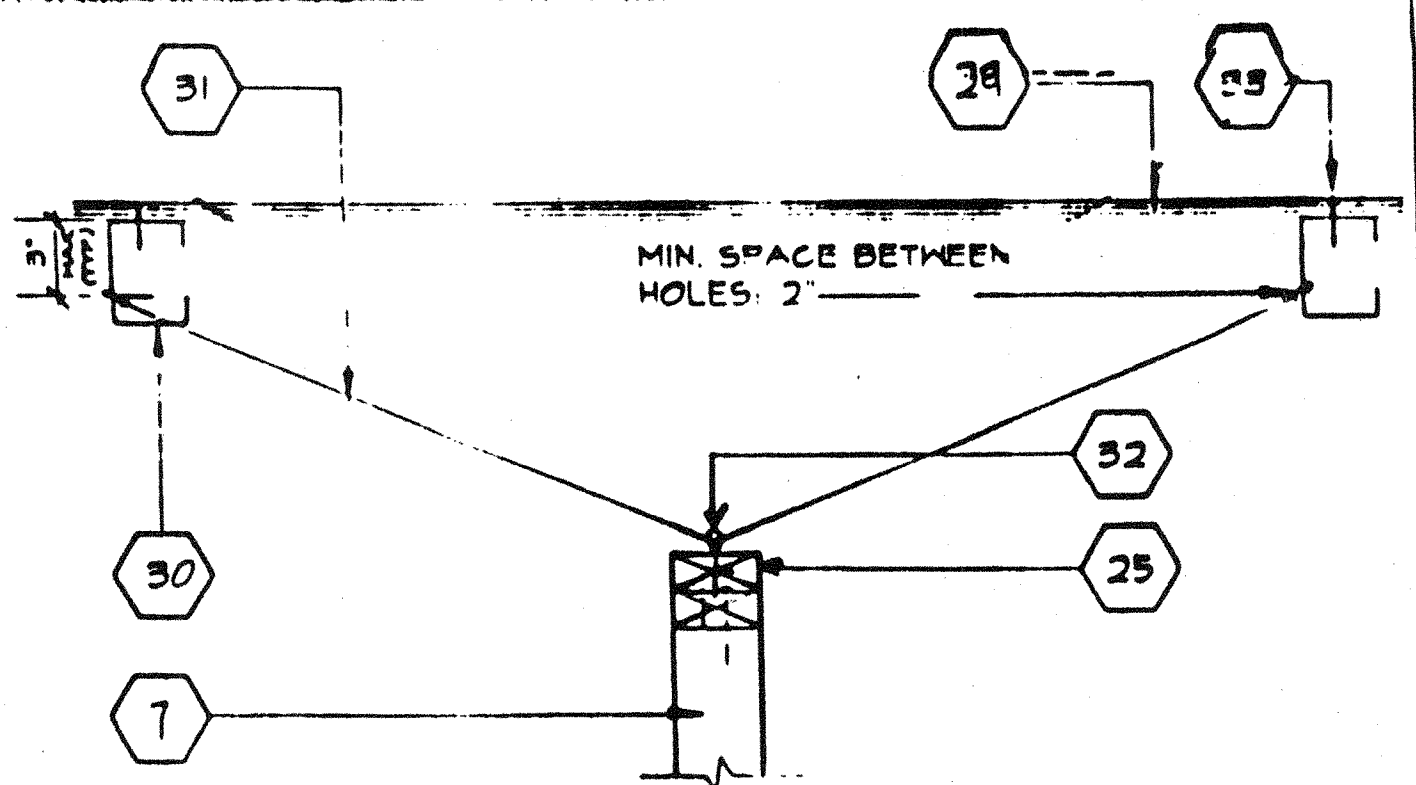
* FULL HEIGHT STUDS

ALTERNATE, METAL STUD 3 1/2" x 20 GA.
IN LIEU OF 2X4 WD. STUDS

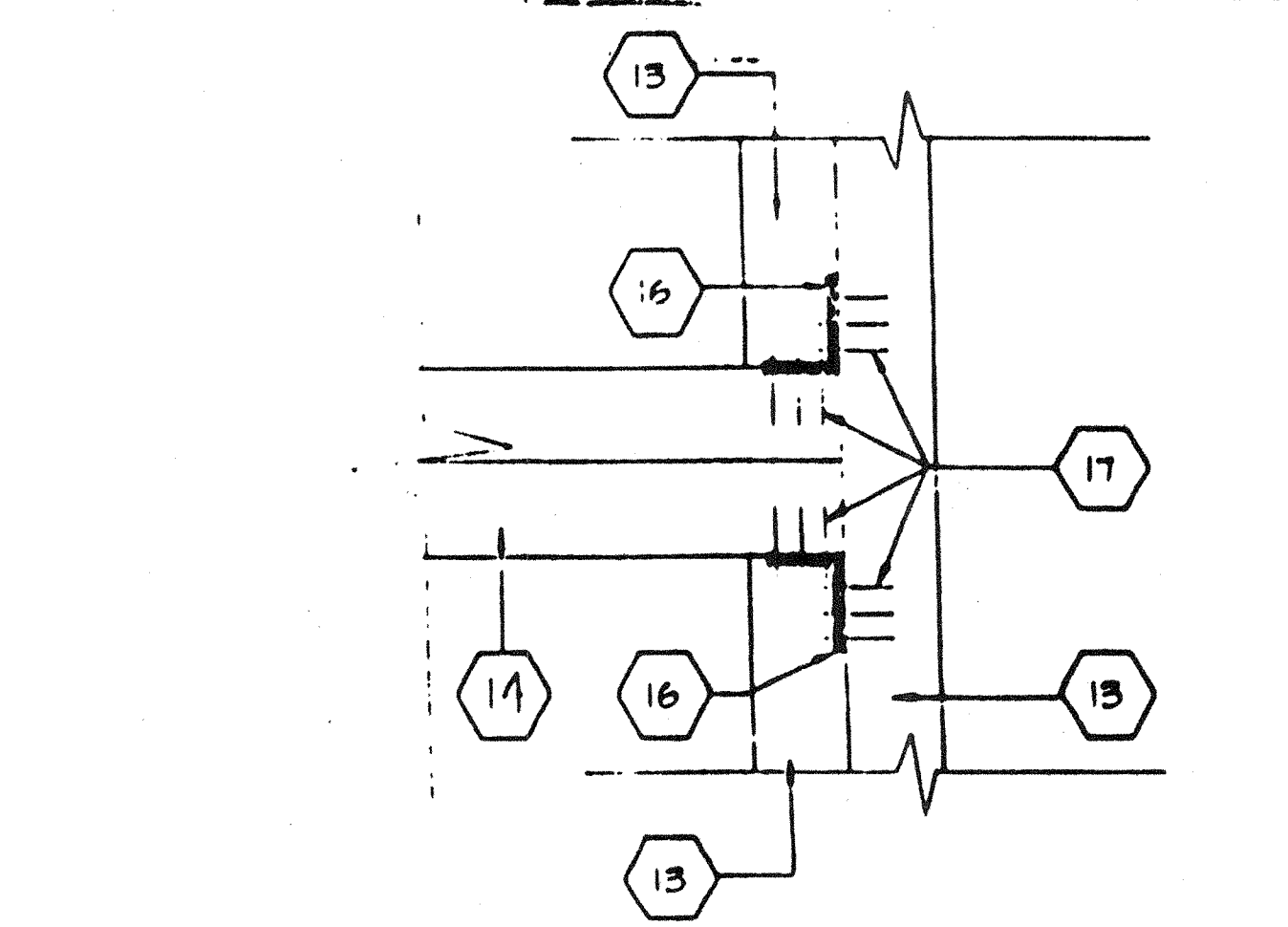
NAILING SCHEDULE

CONNECTION	NAILING
1. JOIST TO SILL OR GIRDER, TOENAIL	3-0d
2. 8" dia. into joist, lead all ends	3-0d
3. 1" x 8" subfloor or less to each joint, face nail	3-0d
4. Header, less than 1" x 8" subfloor to each joint, face nail	3-0d
5. 2" subfloor to joint or girder end and face nail	3-0d
6. Sole plate to joist or blocking, face nail	1-0d at 16" oc
7. Top plate to stud, end nail	2-0d
8. Stud to sole plate	4-0d, or lead nail 2-0d, each end
9. Double studs, face nail	1-0d at 24" oc
10. Doubled top plates, face nail	1-0d at 16" oc
11. Top plates, less and intersections, face nail	2-0d at 16" oc
12. Continuous header, top plates	2-0d, or staggered 2-20d at 24" oc
13. Ceiling joists in plate, toenail	3-0d
14. Continuous header to stud, toenail	4-0d
15. Ceiling joists, lapped over partitions, face nail	3-0d
16. Ceiling joists to parallel rafters, face nail	3-0d
17. Rafter to plate, toenail	3-0d
18. 1" brace to each stud and plate, face nail	2-0d
19. 1" x 8" sheathing or less to each bearing, face nail	2-0d
20. Wider than 1" x 8" sheathing to each bearing, face nail	3-0d staggered 2-20d at 24" oc
21. Pull-up corner studs	3-0d at 16" oc, at top and bottom and end of each brace
22. Pull-up girder and beams	and end of each brace
23. 2" plates	2-0d at each bearing
24. Plywood and partitionboard	
Subfloor, roof and wall sheathing (no framing)	0d
1/2" and less	0d or
1/4" x 9/16" - 9/16"	0d or
1/8" - 1/4"	0d
1/8" - 1/4"	10d or
25. Combination subfloor-underlayment (no framing)	
3/8" and less	0d
1/8" - 1/4"	0d
1/4" - 1/2"	10d or
26. Panel siding (no framing)	
1/2" or less	0d
5/8"	0d

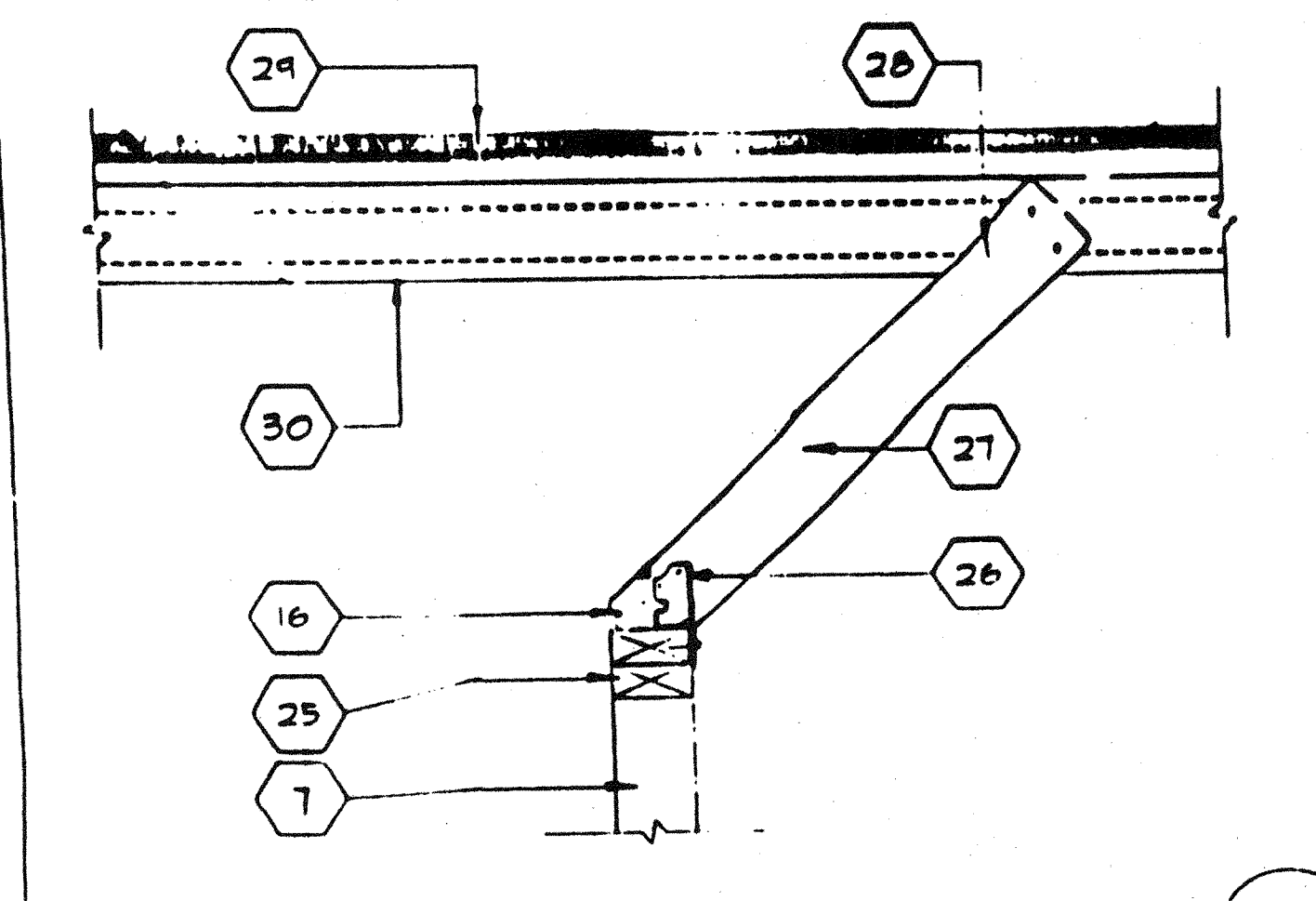
NOTE: All nail shall be box nails unless otherwise noted.



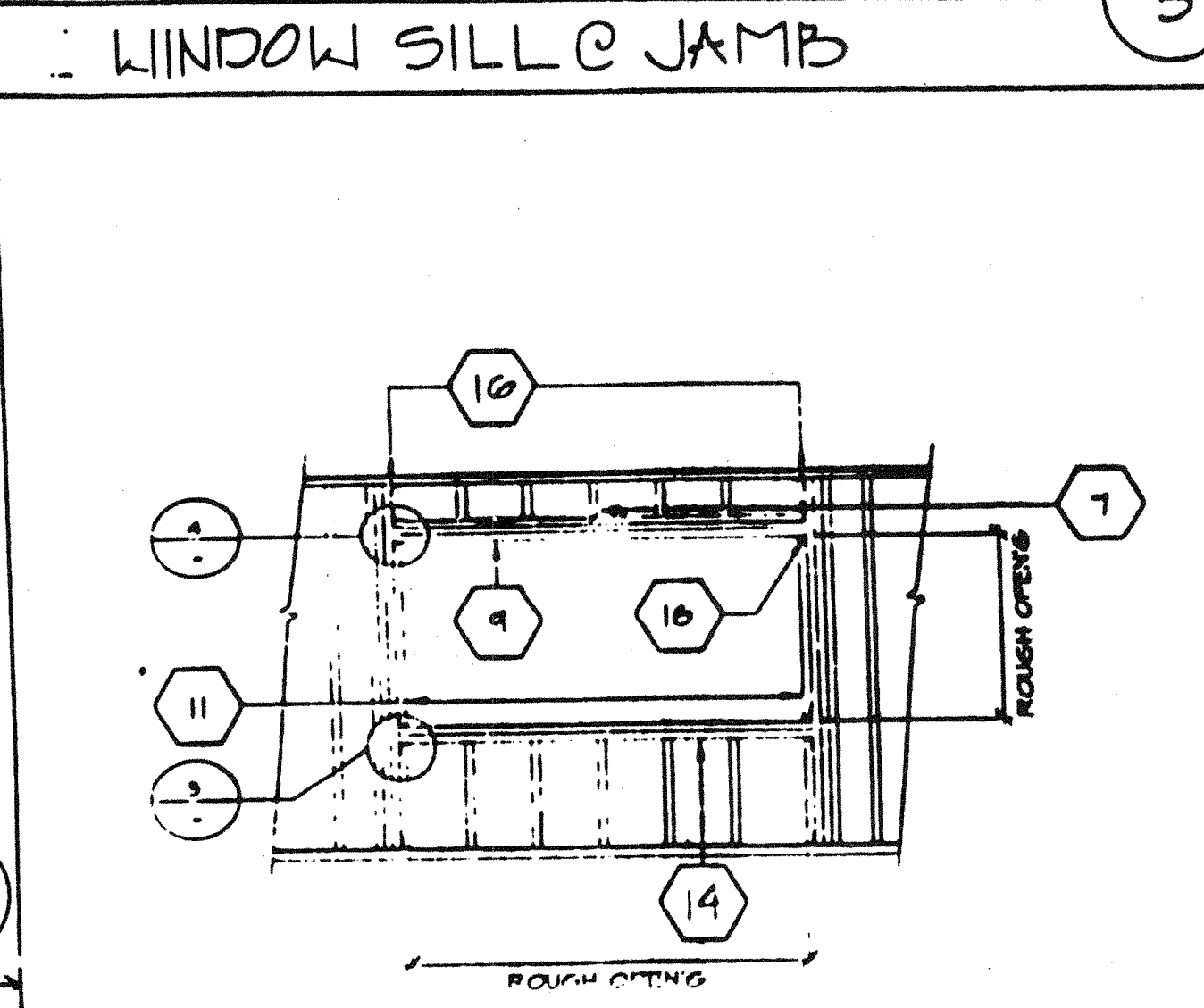
SCALE: 1-1/2"=1'
PARALLEL PARTITION CONN.



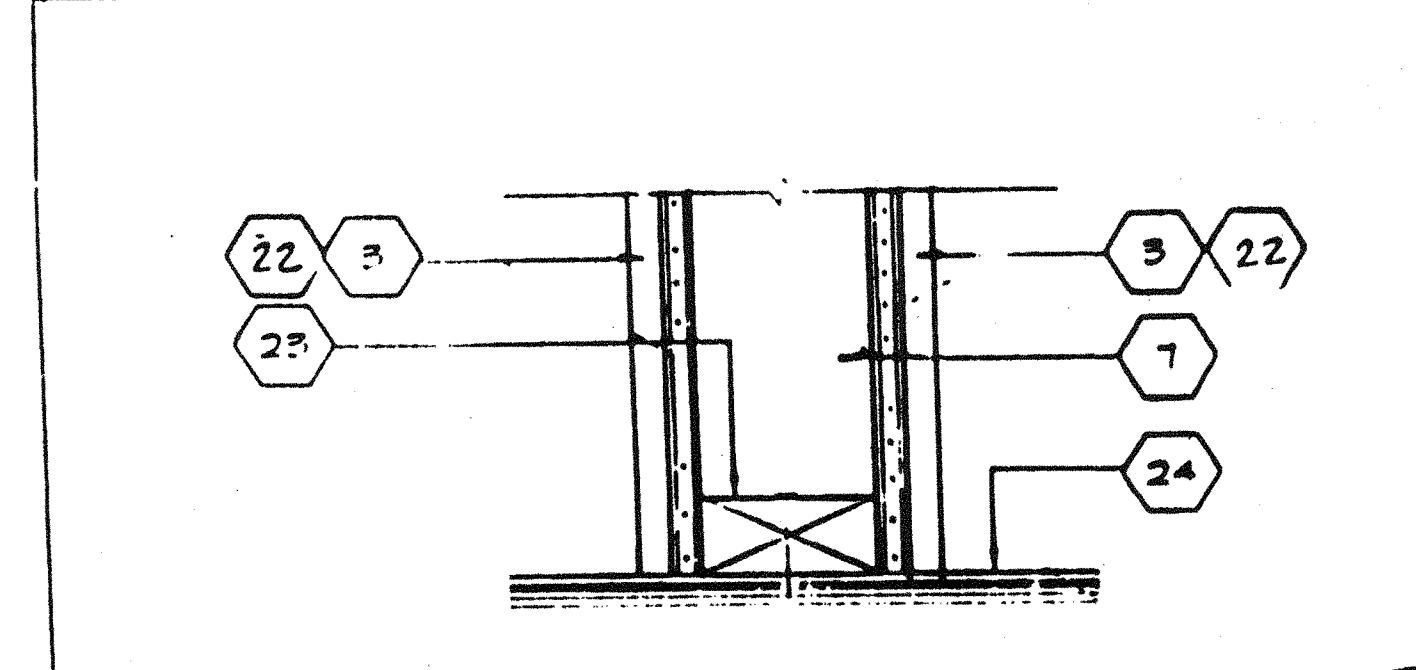
SCALE: 3"=1'
WINDOW SILL @ JAMB



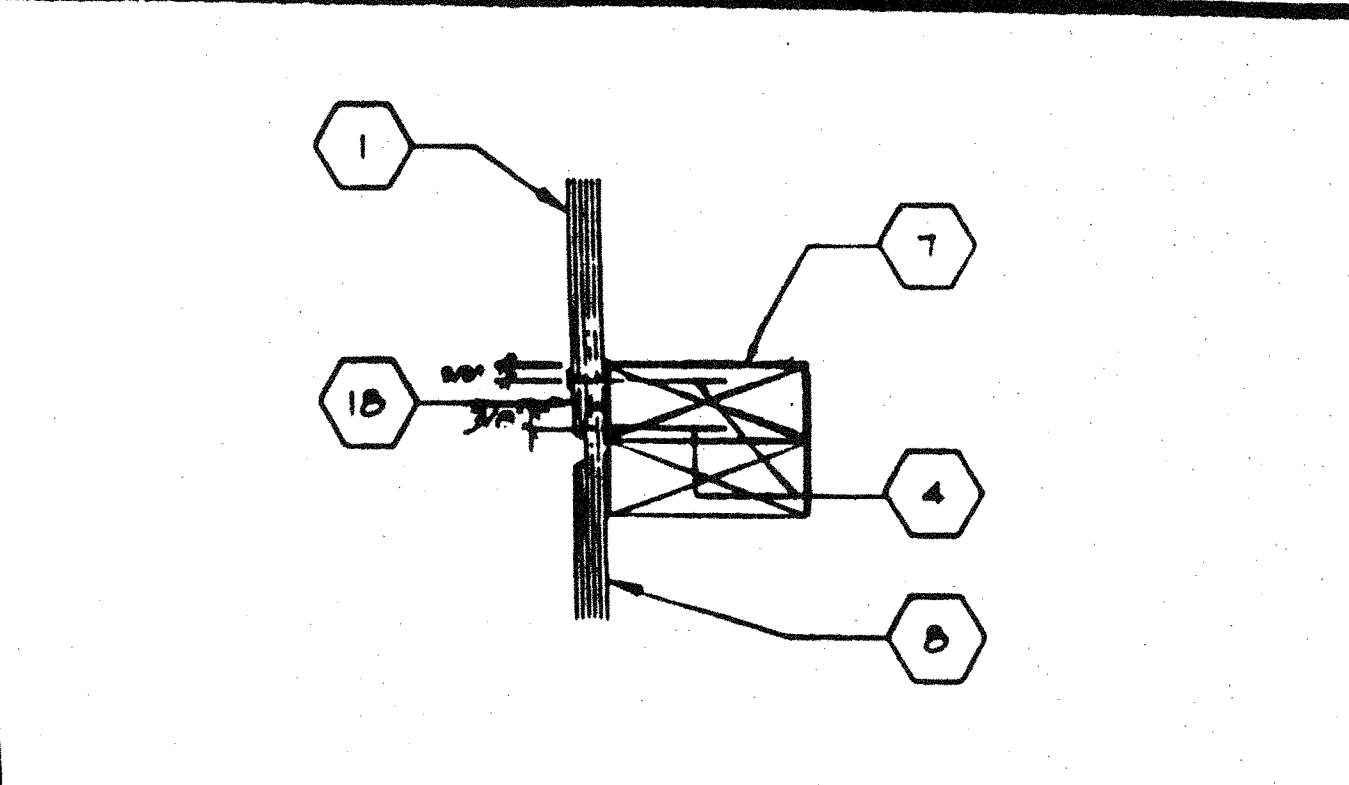
SCALE: 1-1/2"=1'
PERPENDICULAR PARTITION CONN.



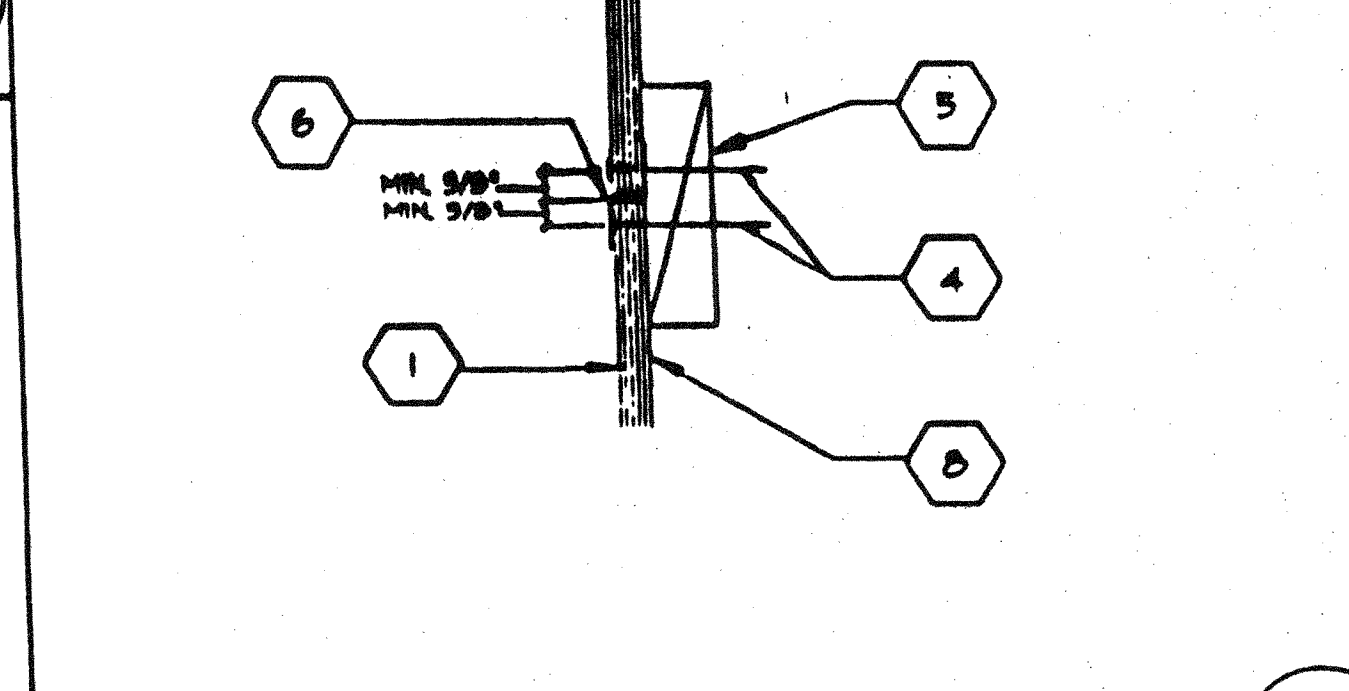
SCALE: 3"=1'
TYP. WINDOW FRAMING



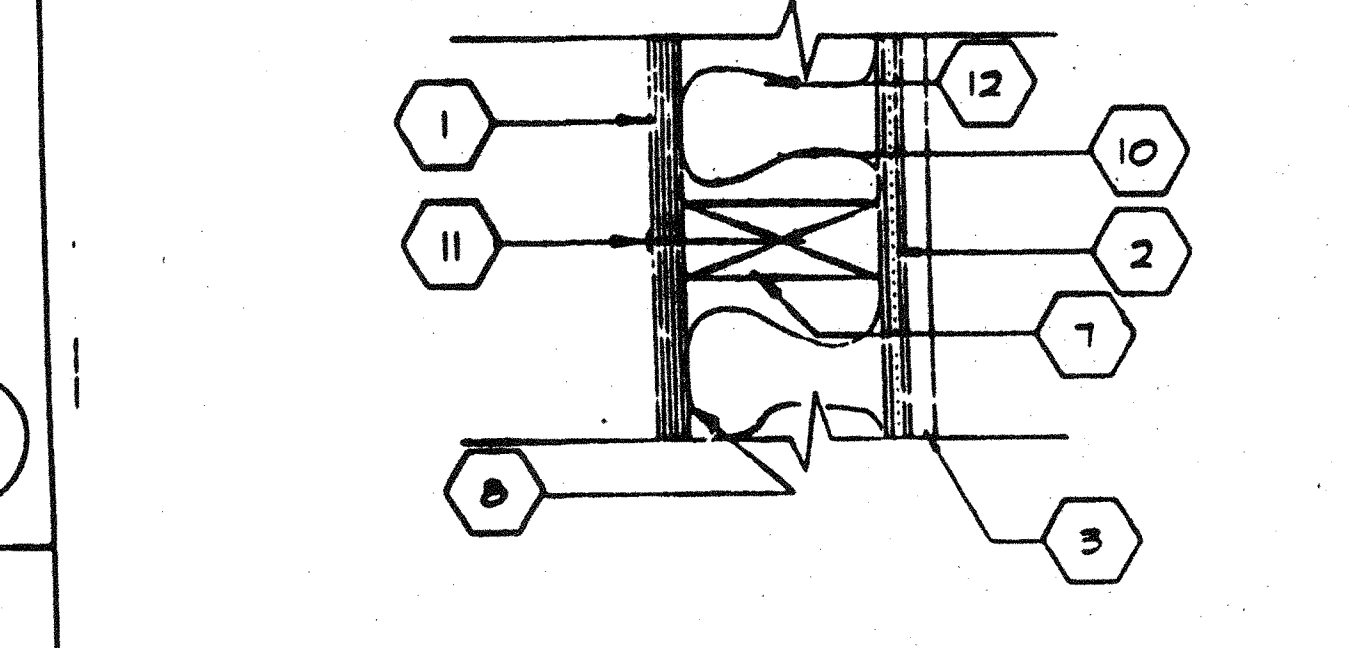
SCALE: 3"=1'
INT. PARTITION CONN. @ FLOOR



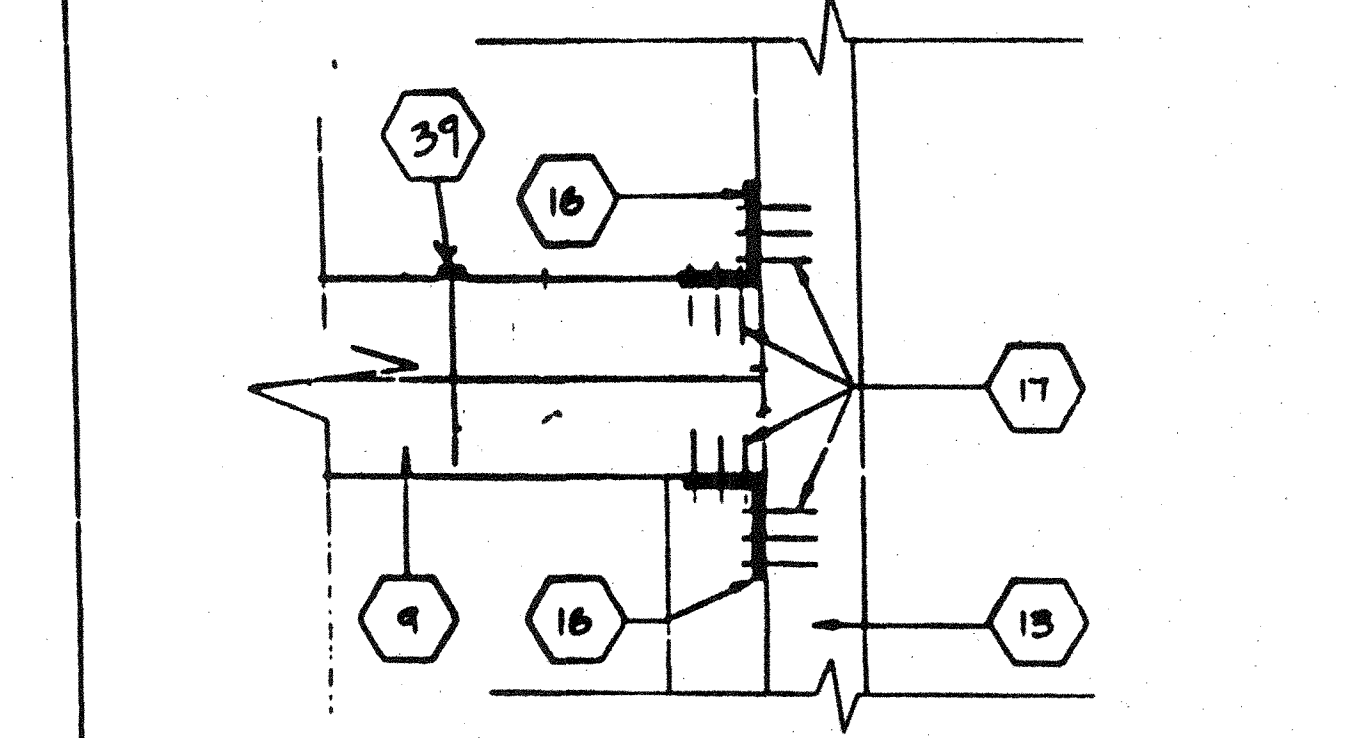
SCALE: 3"=1'
@ VERT. PLYWOOD EDGES



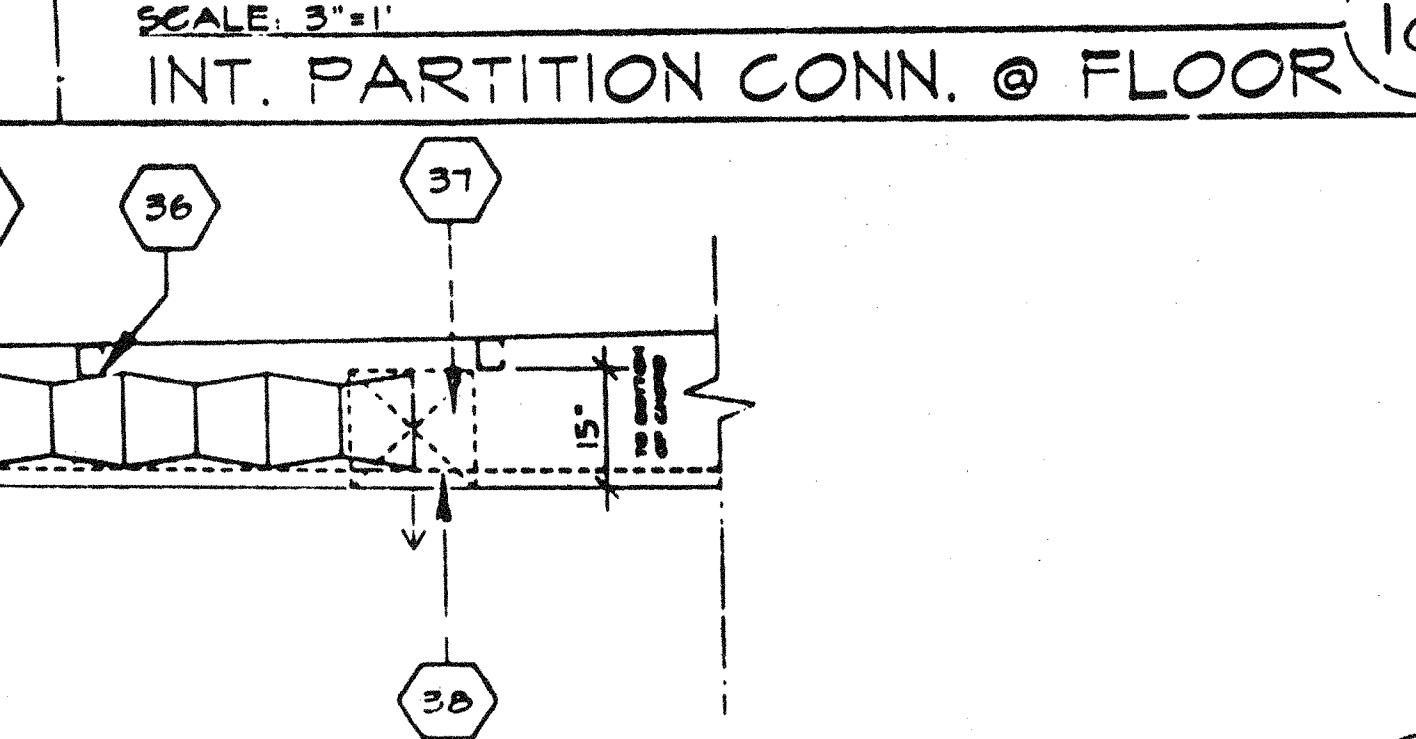
SCALE: 3"=1'
DETAIL @ HORIZ. PLYWOOD JOINTS



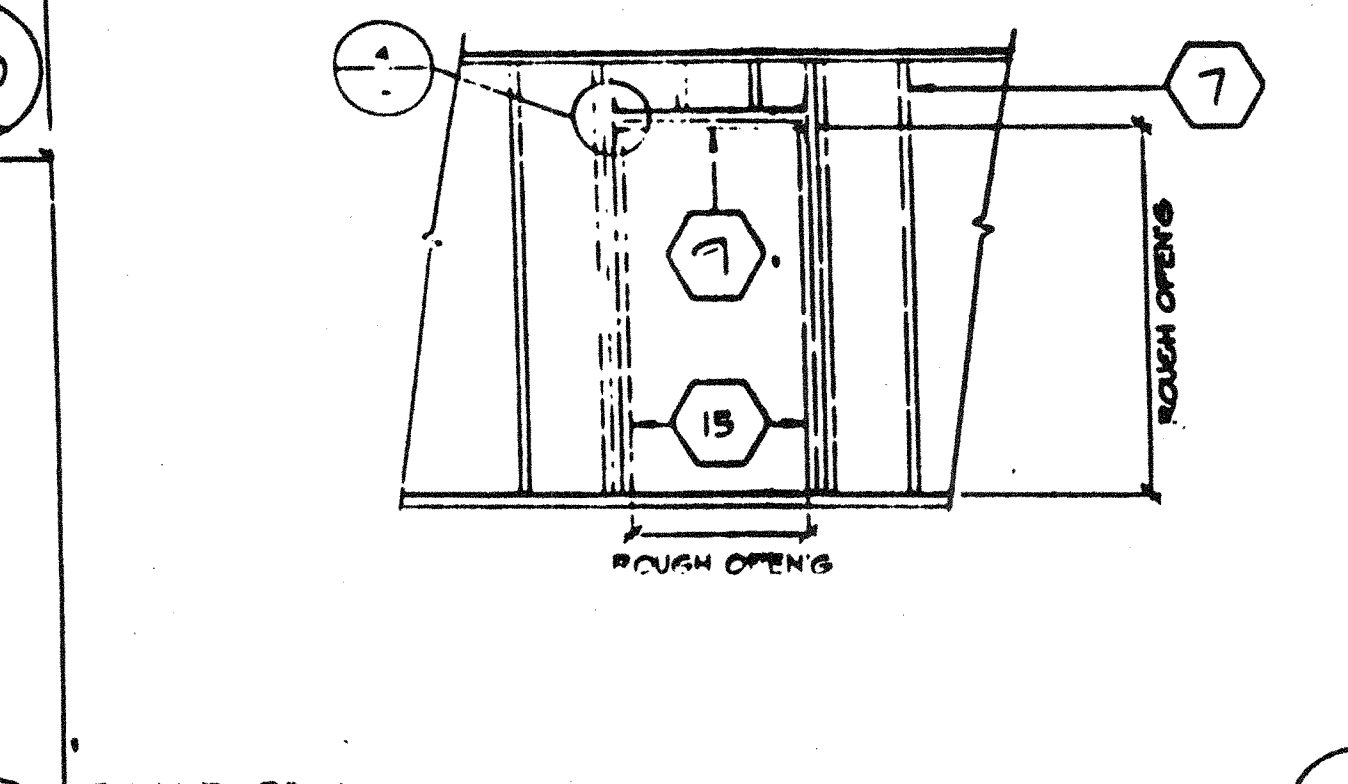
SCALE: 3"=1'
SECTION @ STUD



SCALE: 3"=1'
HEADER DETAIL



SCALE: 1/2"=1'
SECTION, HVAC IN ROOF



SCALE: 3"=1'
TYP. DOOR FRAMING

KEY NOTES

NAILING:
 - NAILING ACCORDANCE W/ T&CA C. TABLE 2-25P
 - ALL NAILS EXPOSED TO WEATHER SHALL BE GALV.
 - MACHINELY APPLIED NAILING SHALL HAVE FIELD DEMONSTRATION AND APPROVAL BY O&A/PSA FIELD REP. AND THE ARCHITECT.
 - EXTERIOR PLYWOOD SIDING - SHEATHING NAILING SHALL BE BOX NAILS - 0d @ 6" OC EDGES, Ad @ 12" OC

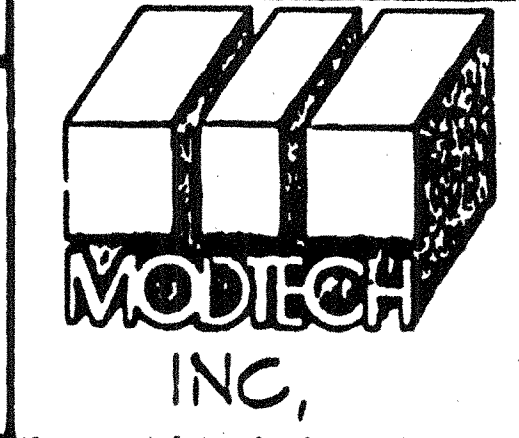
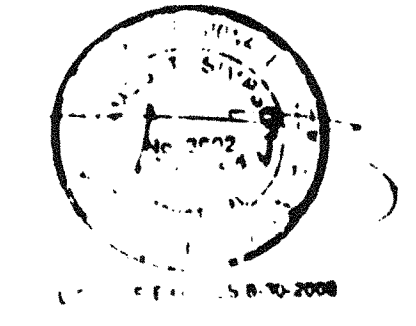
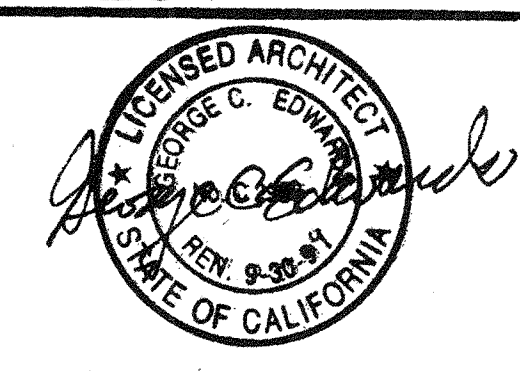
1 GYP BOARD
 2 GYP BOARD
 3 TYP. INTERIOR FINISH - SEE FINISH SCHEDULE
 4 EN
 5 2X4 BLK'G
 6 "Z" FLASHING
 7 2X4 @ 16" OC
 8 WATERPROOF MEMBRANE
 9 HEADER (SEE SCHEDULE SS.1)
 10 INSULATION (SEE SPECIFICATIONS)
 11 0d ELECTRO GALV 1/2" OC FN
 12 2X4 SILL PLATE (BELOW)
 13 FULL HEIGHT STUDS AND 1-2X4 TRIMMER (SEE NAILING SCHEDULE FOR JAMB STUDS PROFILES AND 2X4 WINDOW SILL STUDS)
 14 2X4 FULL HEIGHT KING STUDS AND 2X4 TRIMMER (SEE SCHEDULE FOR QUANTITY)
 15 SILL PLATE (SEE SCHEDULE)
 16 A 54 CLIPS @ HEADER AND SILL TO FULL HEIGHT STUDS AND FULL HEIGHT STUDS TO TOP AND BOTTOM OF SILL PLATES
 17 0d @ 1 1/2" NAILS
 18 LAP JOINT
 19 NOT USED
 20 NOT USED
 21 NOT USED
 22 ATTACH GYP BD TO STUDS W/ 6d SCREWS
 23 2X4 BOTTOM PLATE W/ 6d @ 16" OC
 24 PLYWOOD FLOOR
 25 2X4 DEL TOP PLATE
 26 SIMPSON A35 W/ 6d X 2 1/2"
 27 2X4 BRACE @ 8'-0" OC MAX @ MAX 45 DEG
 28 #12 X 2" TYPE A HEX HEAD SCREWS INTO STUDS (TYP. OF 3)
 29 PLYWOOD SHEATHING
 30 ROOF FURLIN
 31 ATTACH 12GA. BRACE WIRES TO EYE LAG SCREWS AND TO ROOF FURLINS @ 8'-0" OC ENDS & TIGHT WRAPS IN 1-1/2"
 32 1/4" 2-1/2" EYE LAG SCREW @ 8'-0" OC
 33 ATTACH PER ROOF FRAMING PLAN (TYP.)
 34 FLENUM
 35 DUCTWORK
 36 ROOF FURLIN
 37 TRANSFER BOX
 38 ROOF CHANNEL (39) 1/2" x 1 1/2" OC

IDENTIFICATION STAMP
 DIV. OF THE STATE ARCHITECT
 OFFICE OF REGULATION SERVICES
 AC FLS SS
 DATE 11/10/96

IDENTIFICATION STAMP
 DIV. OF THE STATE ARCHITECT
 117337
 AC FLS SS
 DATE 11/10/96

STKP-39

ARCHITECT ELECTRICAL STRUCTURAL MECHANICAL FIRE MARSHAL ACCESS COMPLIANCE STRUCTURAL SAFETY



© MODTECH INC. 1993
 4012-084
 2926
 2867
 2926
 S5.0