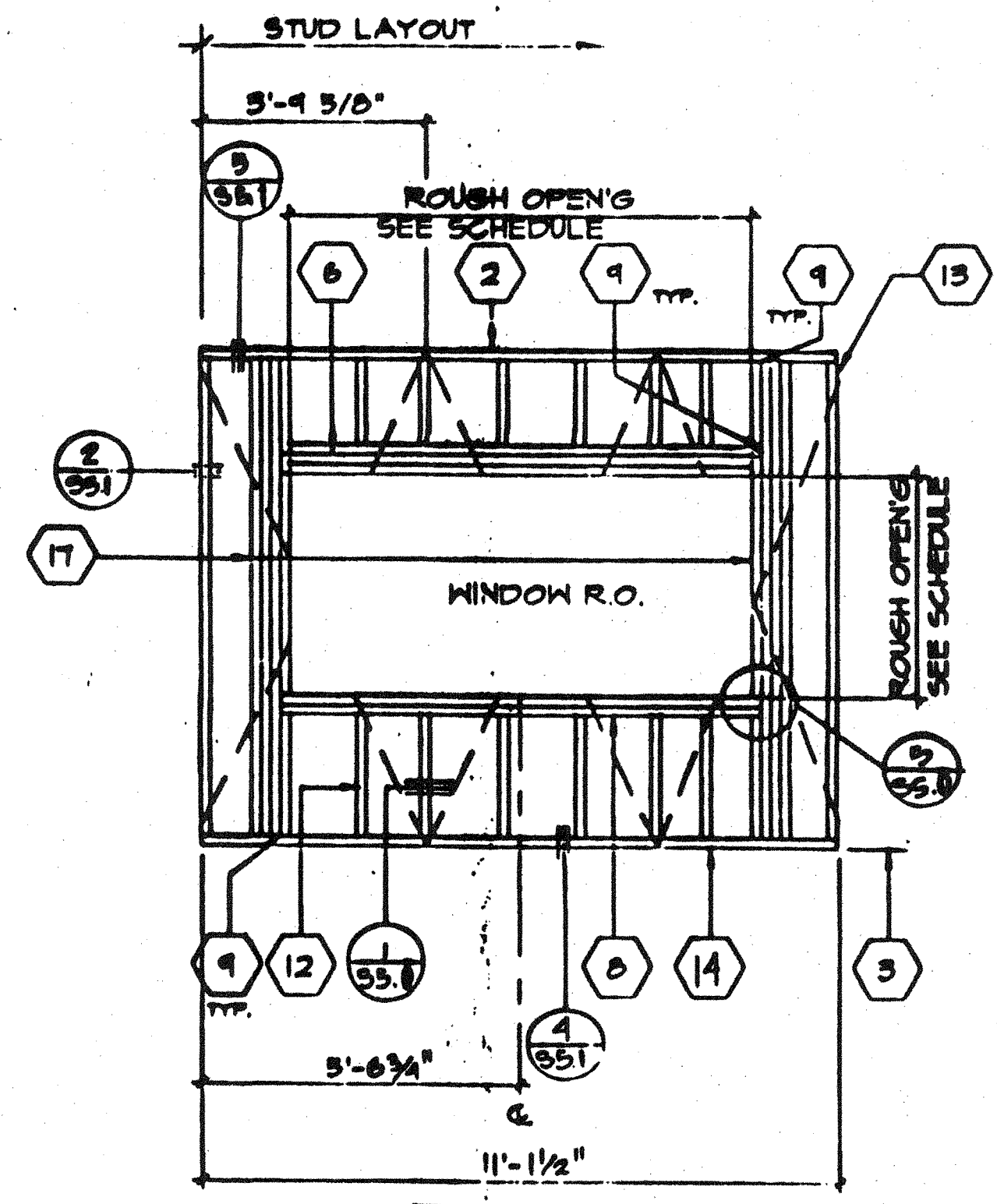
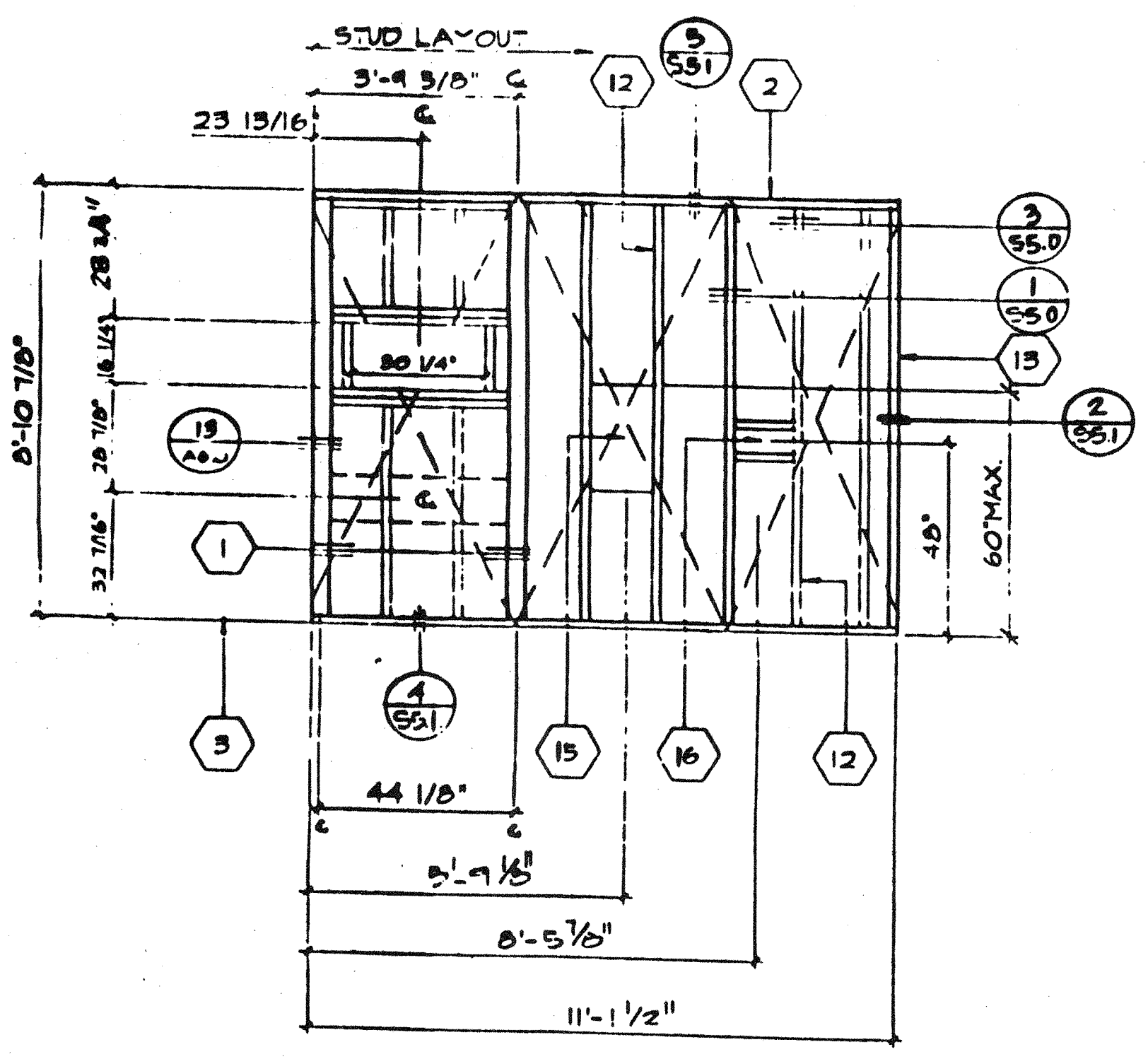


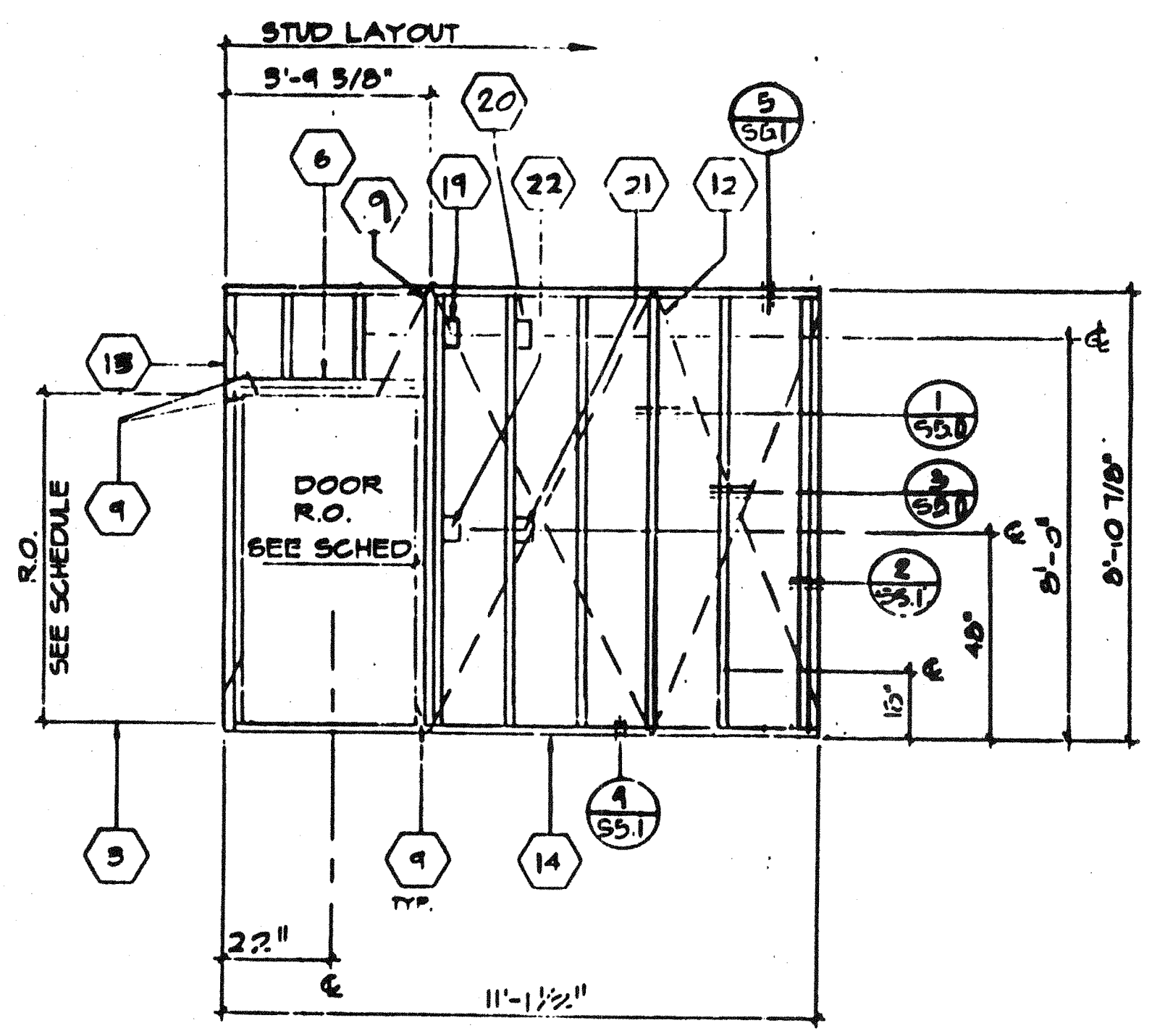
A
A, OPPOSITE HAND



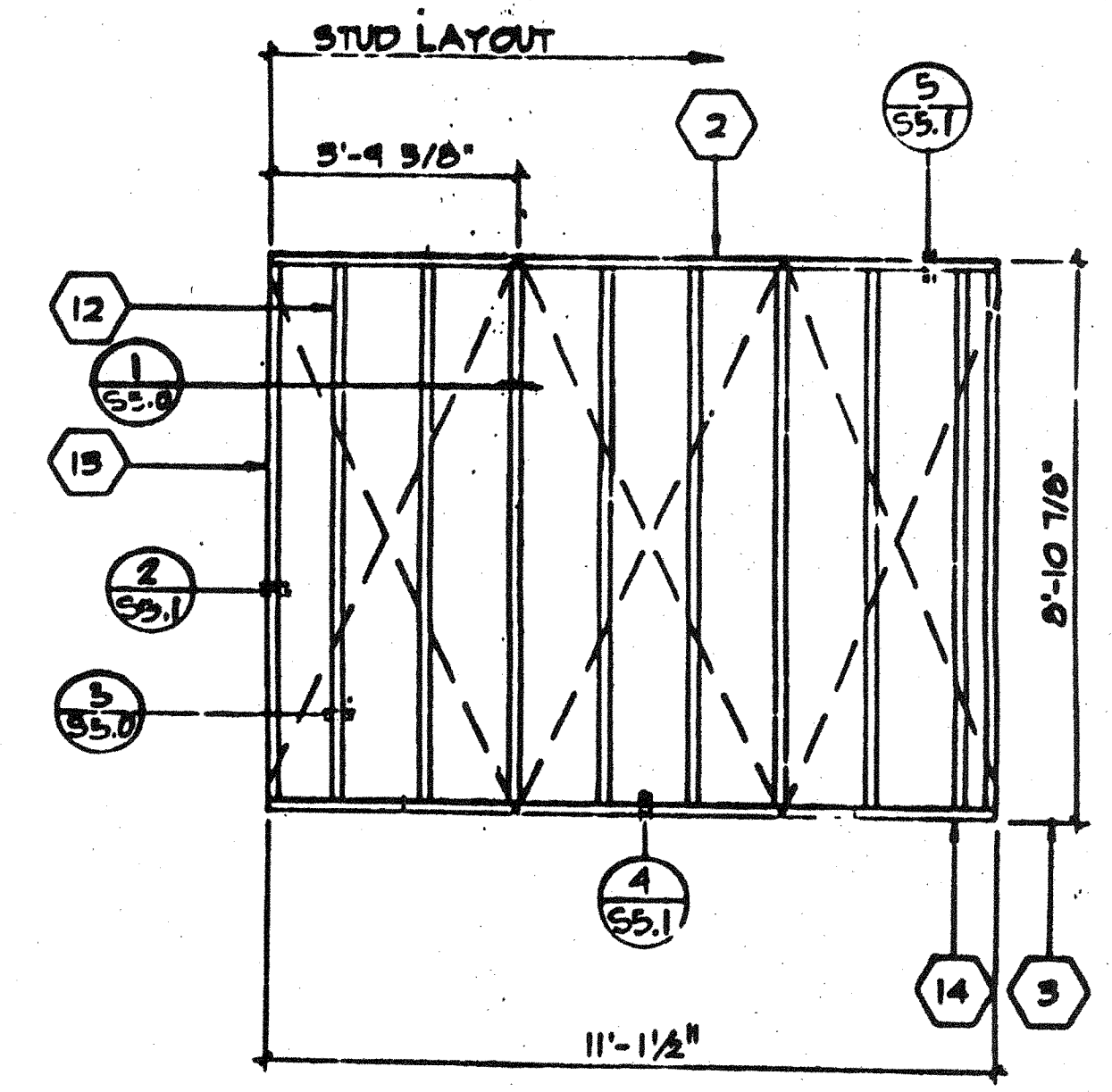
B
B, OPPOSITE HAND



C
C, OPPOSITE HAND



D
D, OPPOSITE HAND



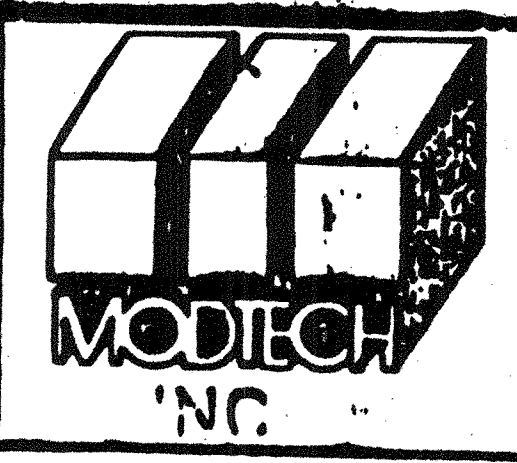
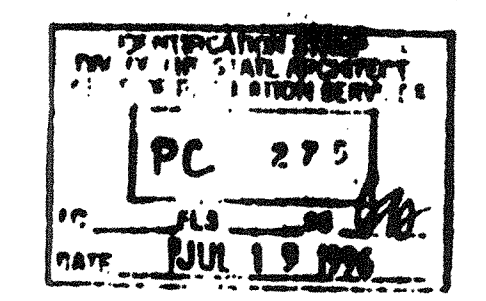
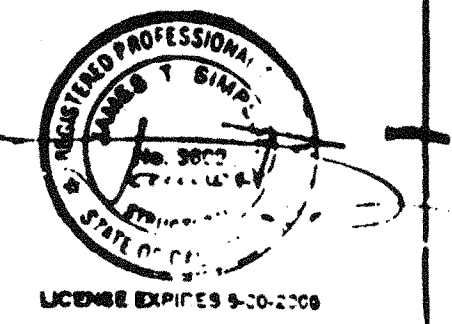
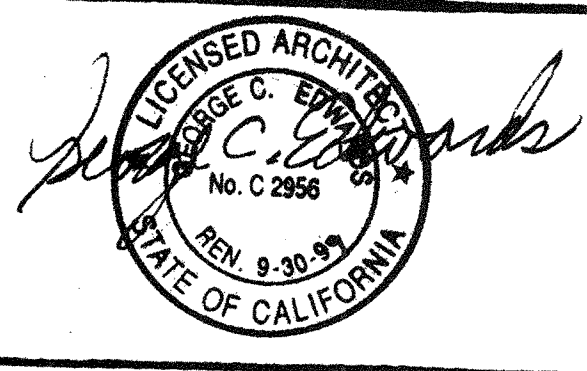
E

- ### KEY NOTES
- 1 4X4 POST ALT. LINE 2-2 1/4 W/PLATE FINISH
 - 2 2X4 TOP PLATE
 - 3 FINISH FLOOR
 - 4 2X4 FULL HGT. KING STUDS AND 2X4 TRIMMER (SEE SCHEDULE FOR QUANTITY CHIT. QTY.)
 - 5 NOT USED
 - 6 HEADER (SEE SCHEDULE 12/45.0)
 - 7 DUPLEX OUTLET BOX [EL]
 - 8 WINDOWSILL PLATE (SEE SCHEDULE)
 - 9 A 54 CLIPS @ HEADER & SILL TO FULL HGT. STUDS AND FULL HGT. STUDS TO TOP AND BOTTOM PLATES. SEE 4/45.0
 - 10 REQUIRED OPENING FOR A 50&A DOOR (SEE DETAIL 12/55.0)
 - 11 REQUIRED OPENING FOR A 60&A WINDOW (SEE DETAIL 12/55.0)
 - 12 2X4 STUD @ 16" O.C. TYPICAL
 - 13 2X4 NAILER TYPICAL @ EACH END
 - 14 2X4 SILL PLATE
 - 15 FRAME FOR ELECTRICAL PANEL
 - 16 THERMOSTAT LOCATION AS BOX
 - 17 FULL HGT. STUDS AND 1-2X4 TRIMMER (SEE WINDOW SCHEDULE FOR JAMB QTY. REQUIRED SHT. 55.0)
 - 18 CLICK OUTLET @ 7/8" AFF
 - 19 "J" BOX FOR EXTERIOR LIGHT FIXTURE (TO EXTERIOR)
 - 20 FIRE HORN (TO INTERIOR)
 - 21 FIRE PULL STATION (TO INTERIOR)
 - 22 LIGHT SWITCH BOX

IDENTIFICATION STAMP
DIV. OF THE STATE ARCHITECT
OFFICE OF REGULATION SERVICES

117337
AC: _____ FL: _____ SS: _____
DATE: 06/19/99

ARCHITECT	ELECTRICAL	STRUCTURAL	MECHANICAL	FIRE MARSHAL	ACCESS/COMPLIANCE	STRUCTURAL SAFETY
-----------	------------	------------	------------	--------------	-------------------	-------------------



SCALE 3/8"=1'

2926

MODTECH INC. 1993

4012-084

STKP-39

2867
2926

S4.0

WALL FRAMING