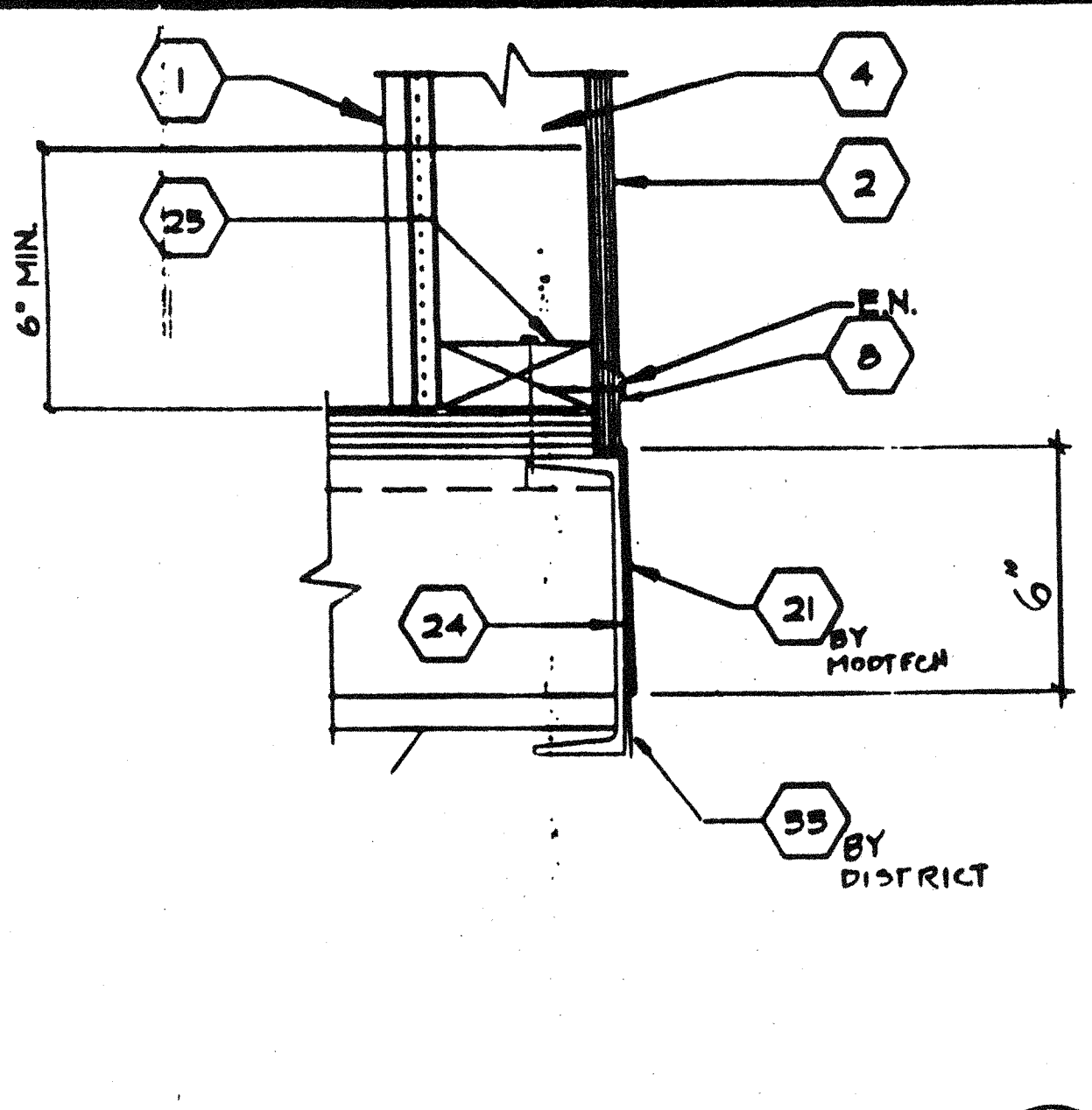
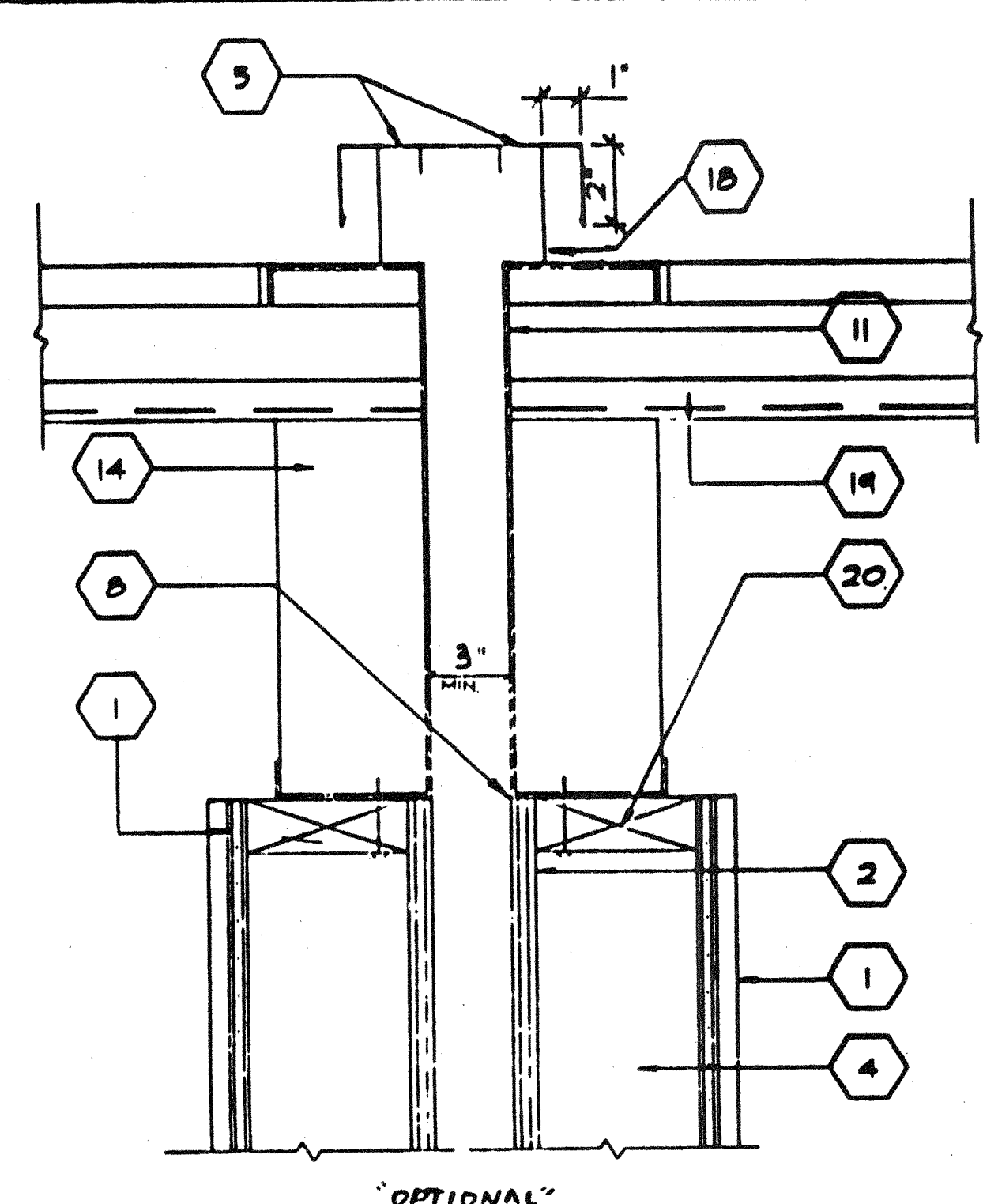


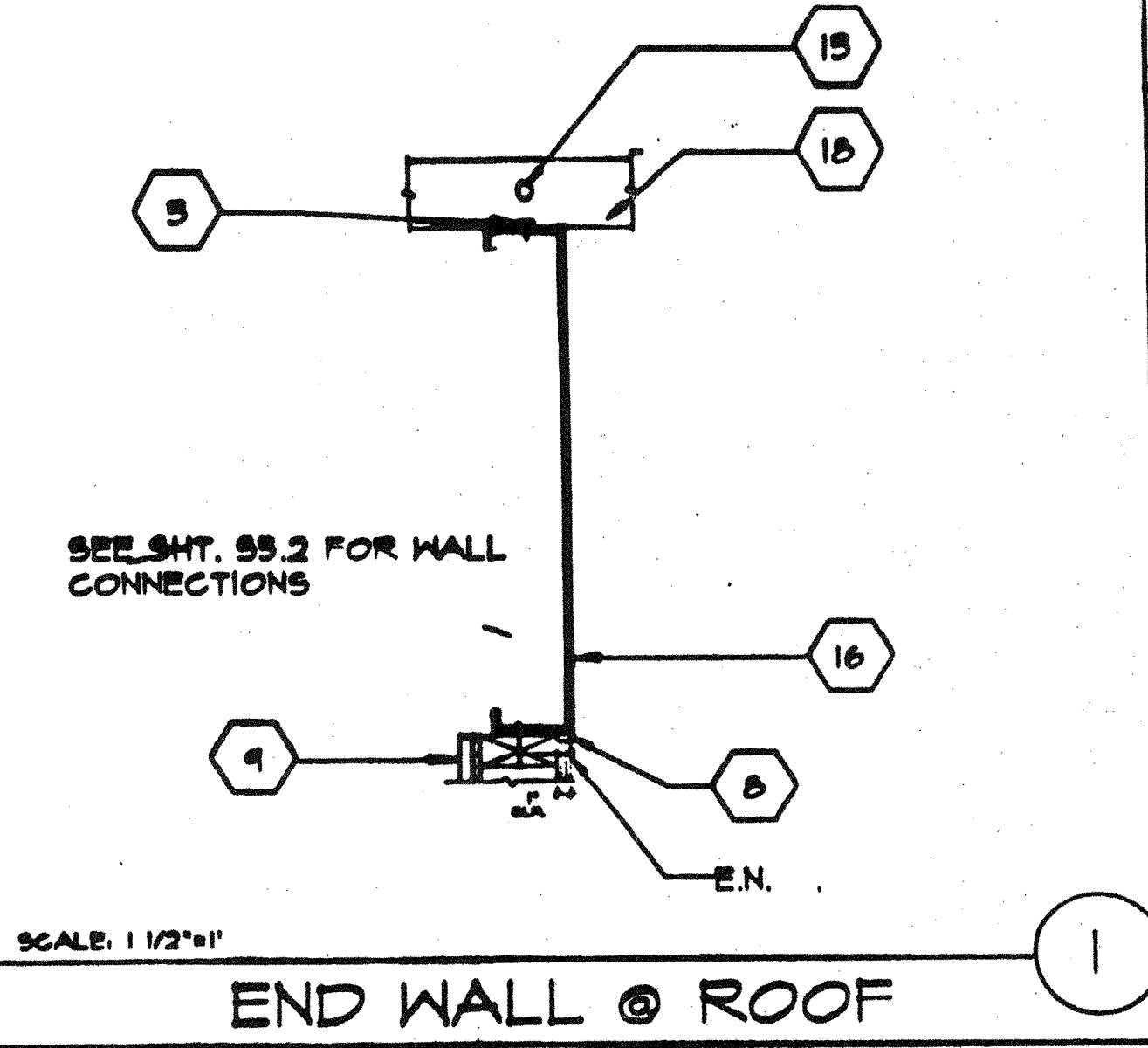
CONTINUOUS GUTTER & CLOSURE **9**



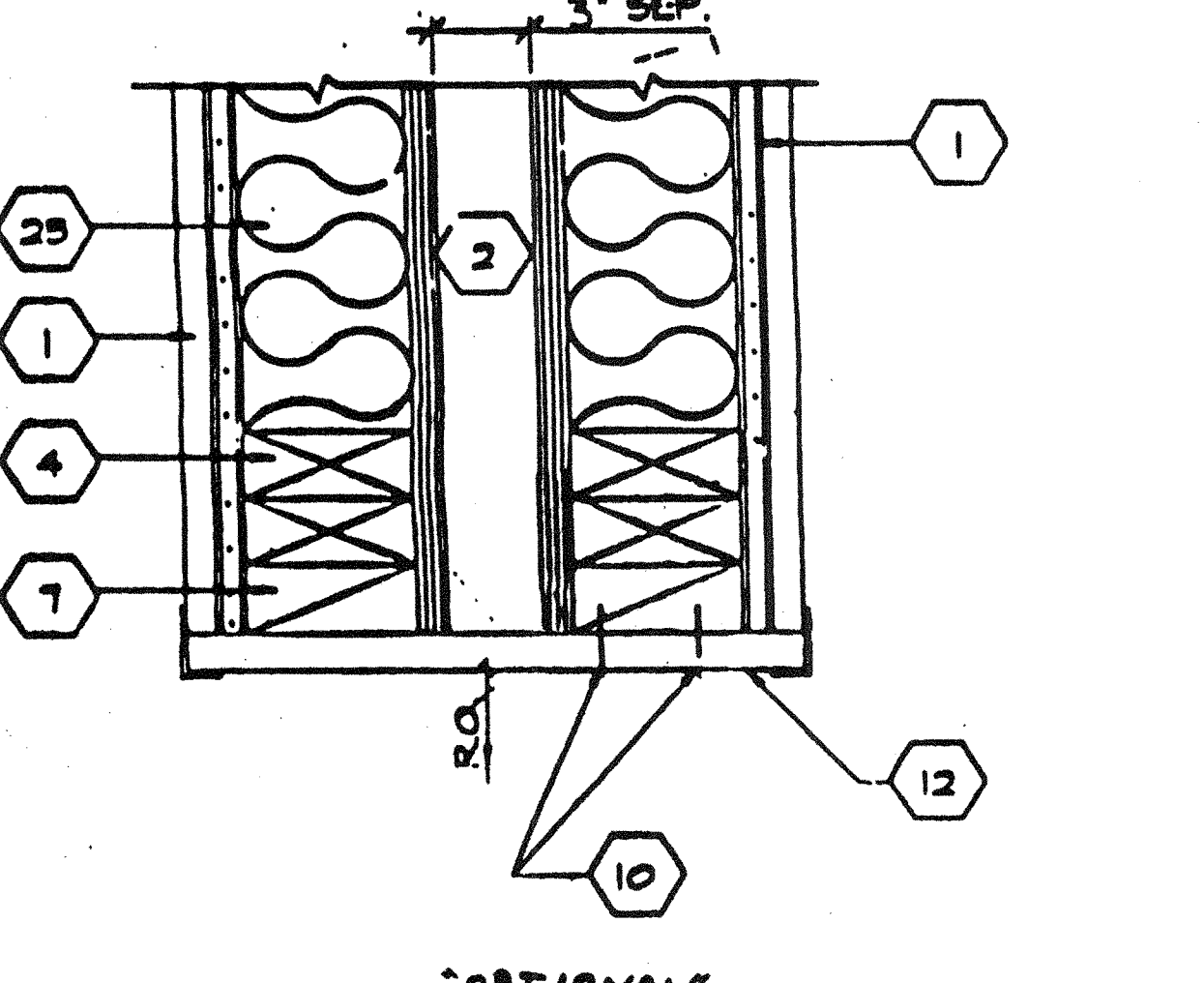
TYPICAL SILL @ FLOOR **6**



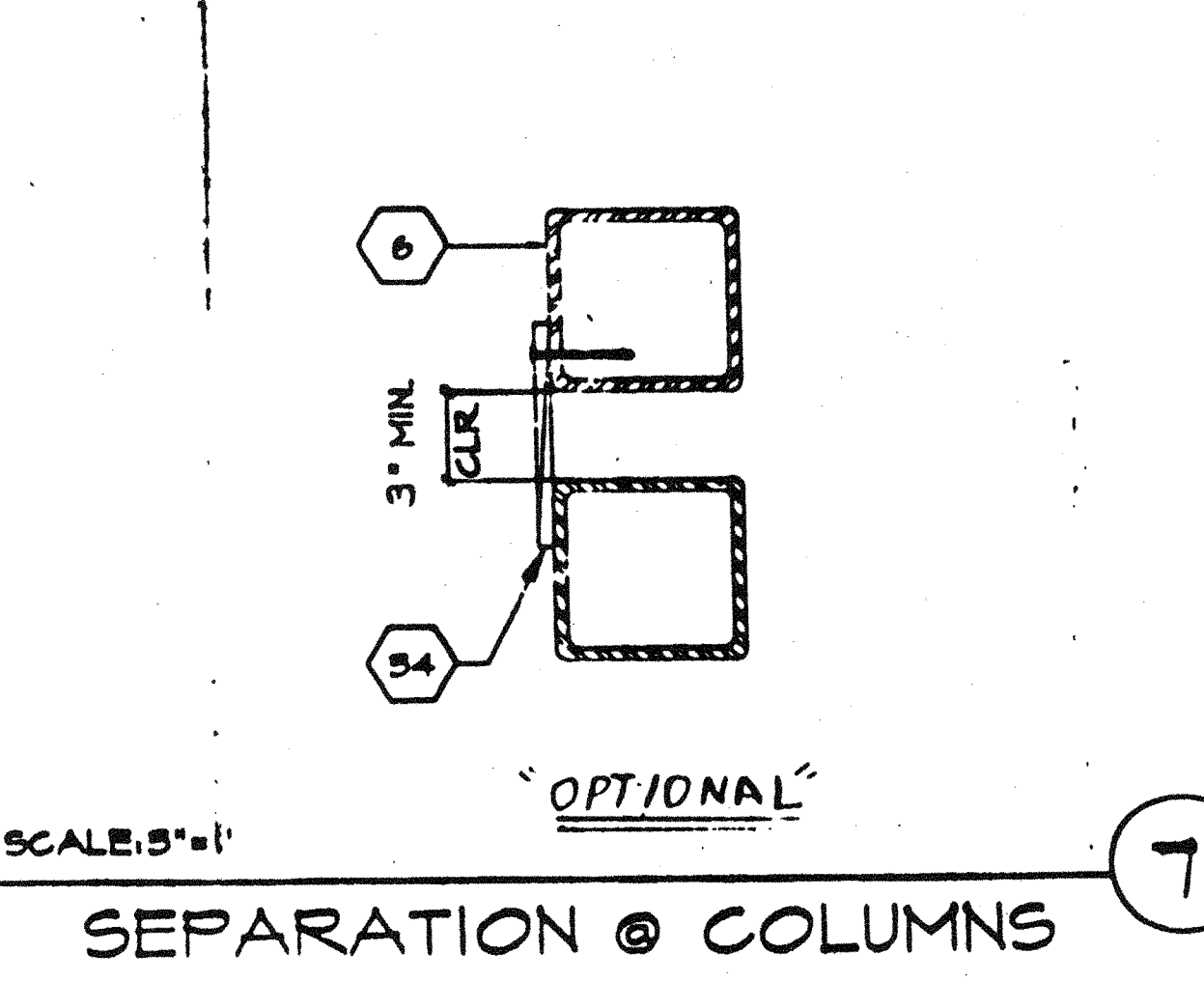
ROOF CAP @ SEP. **4**



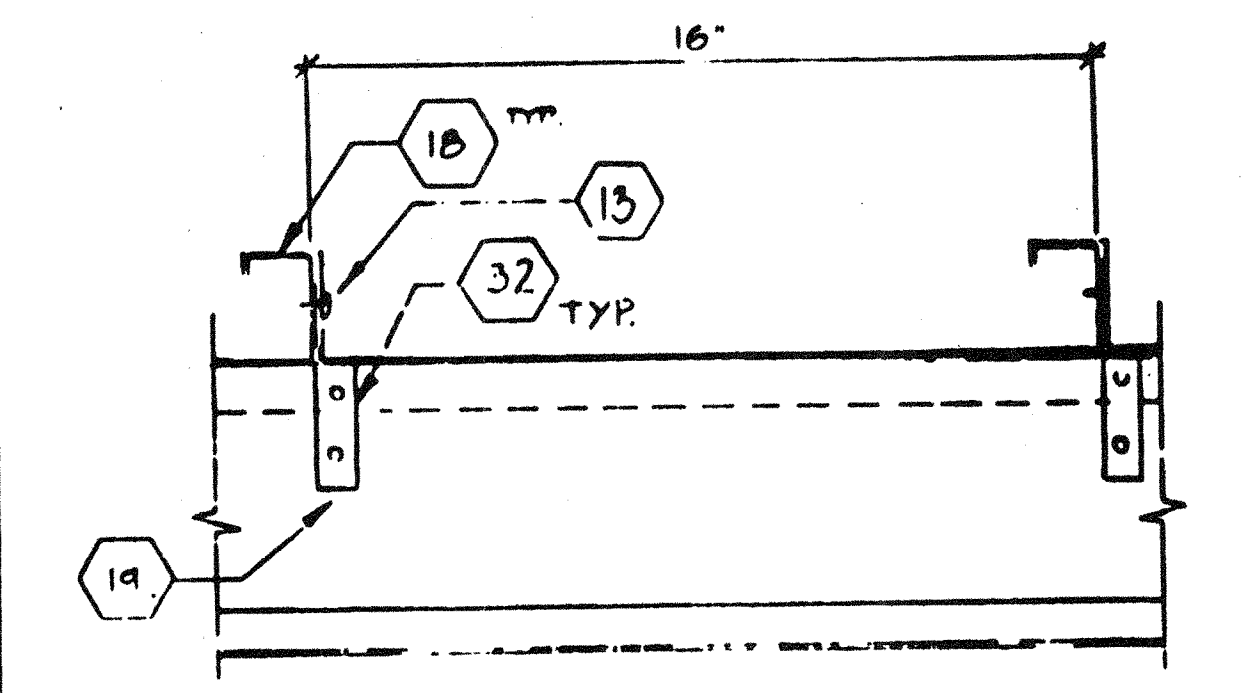
END WALL @ ROOF **1**



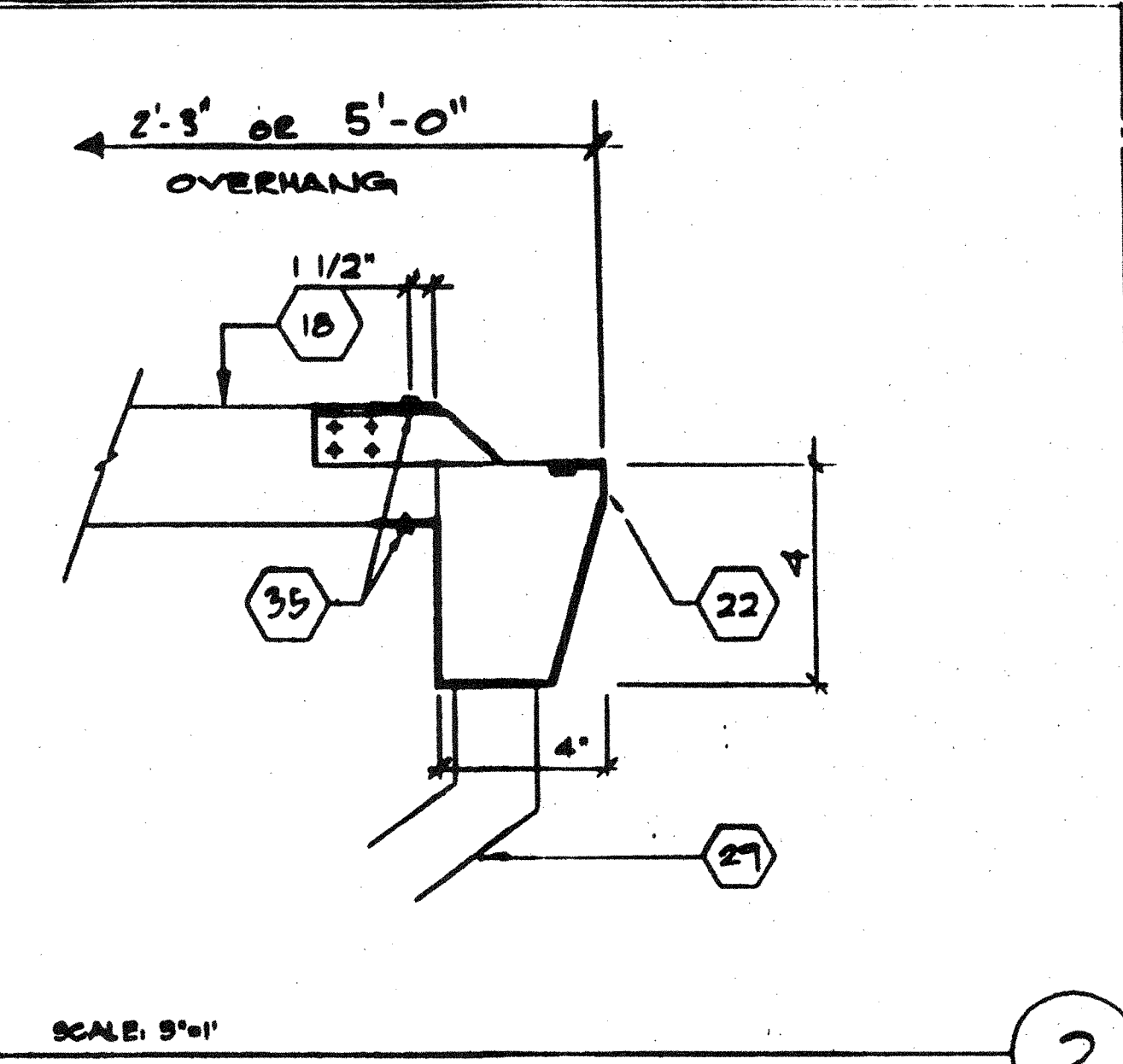
JAMB/HEAD @ 3" SEP. **10**



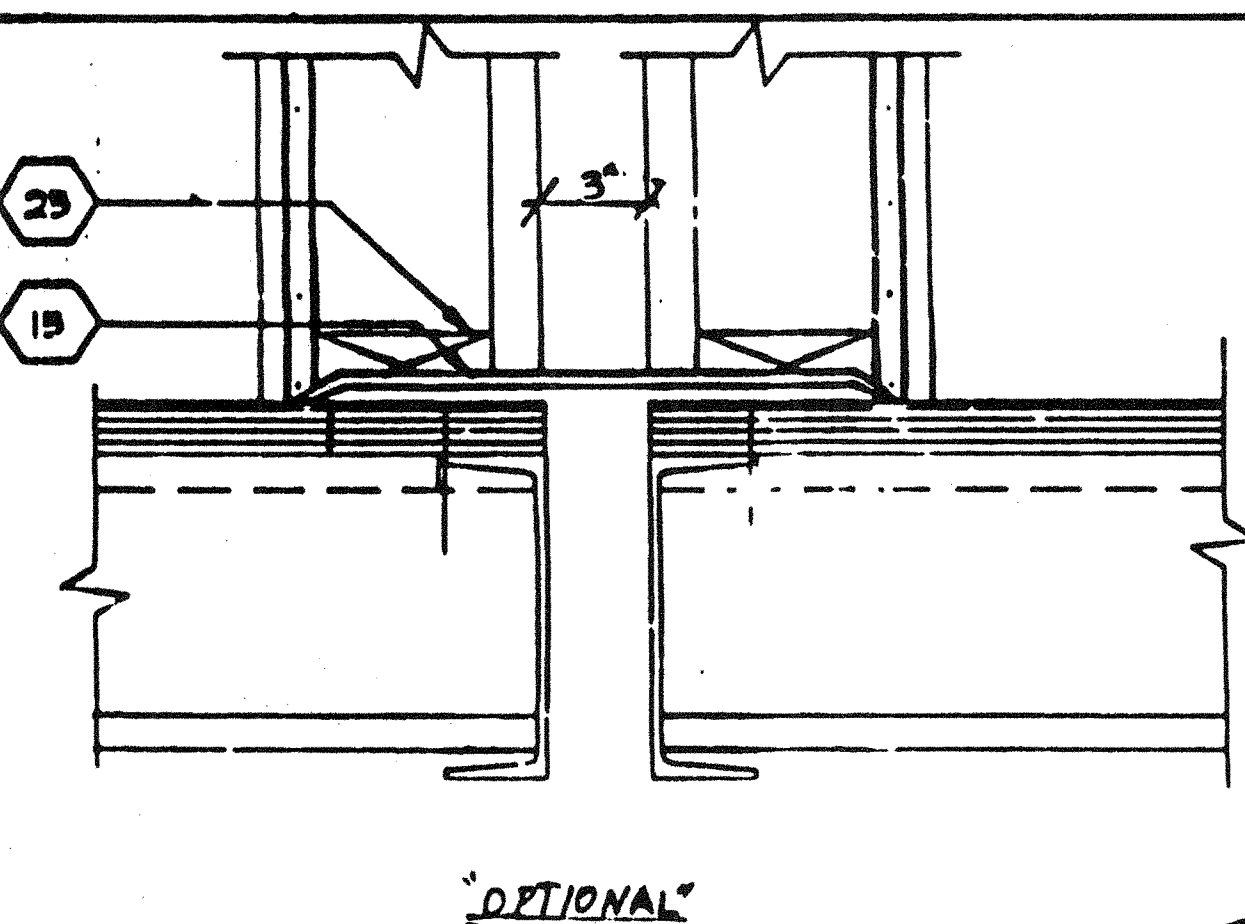
SEPARATION @ COLUMNS **7**



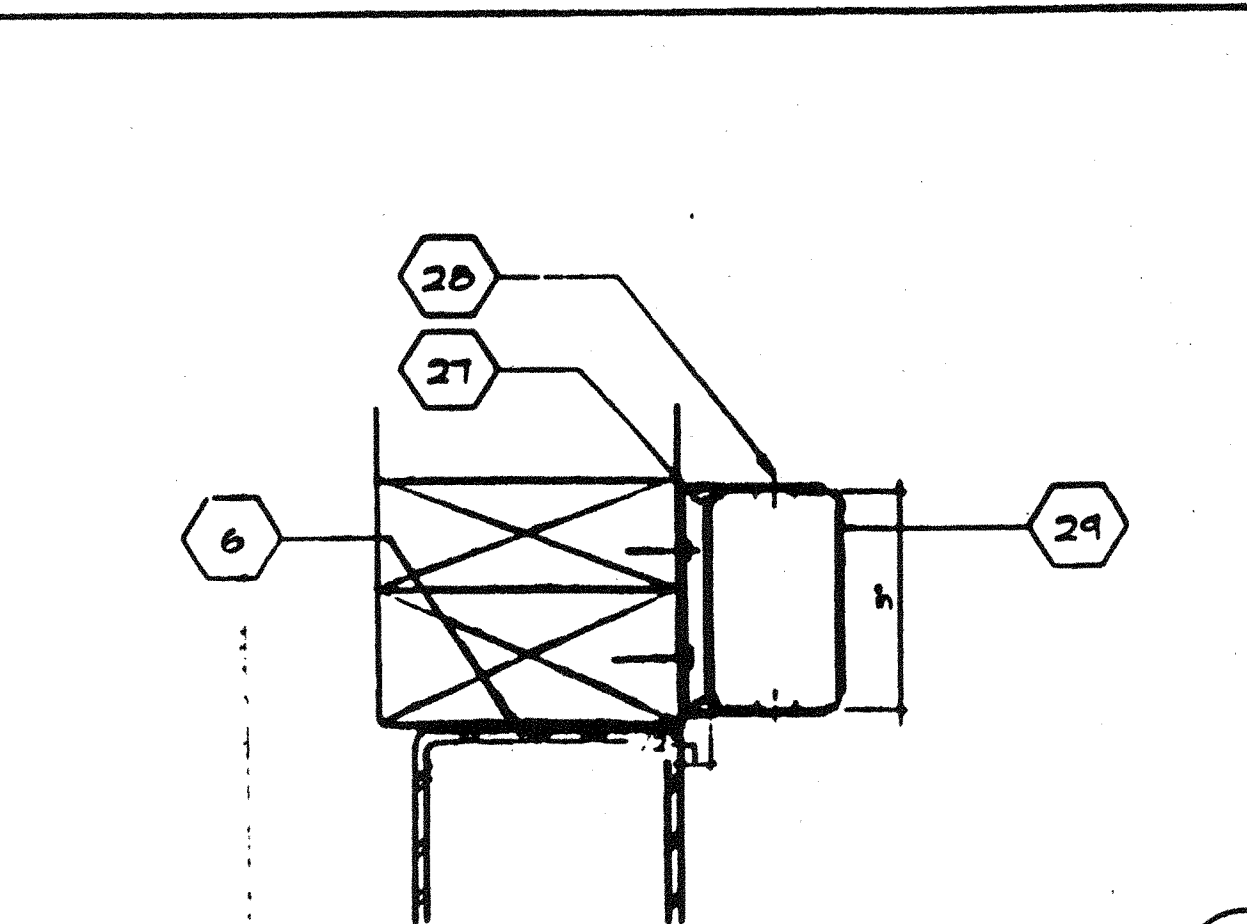
ROOF SEAM **5**



GUTTER @ ROOF HEADER **2**



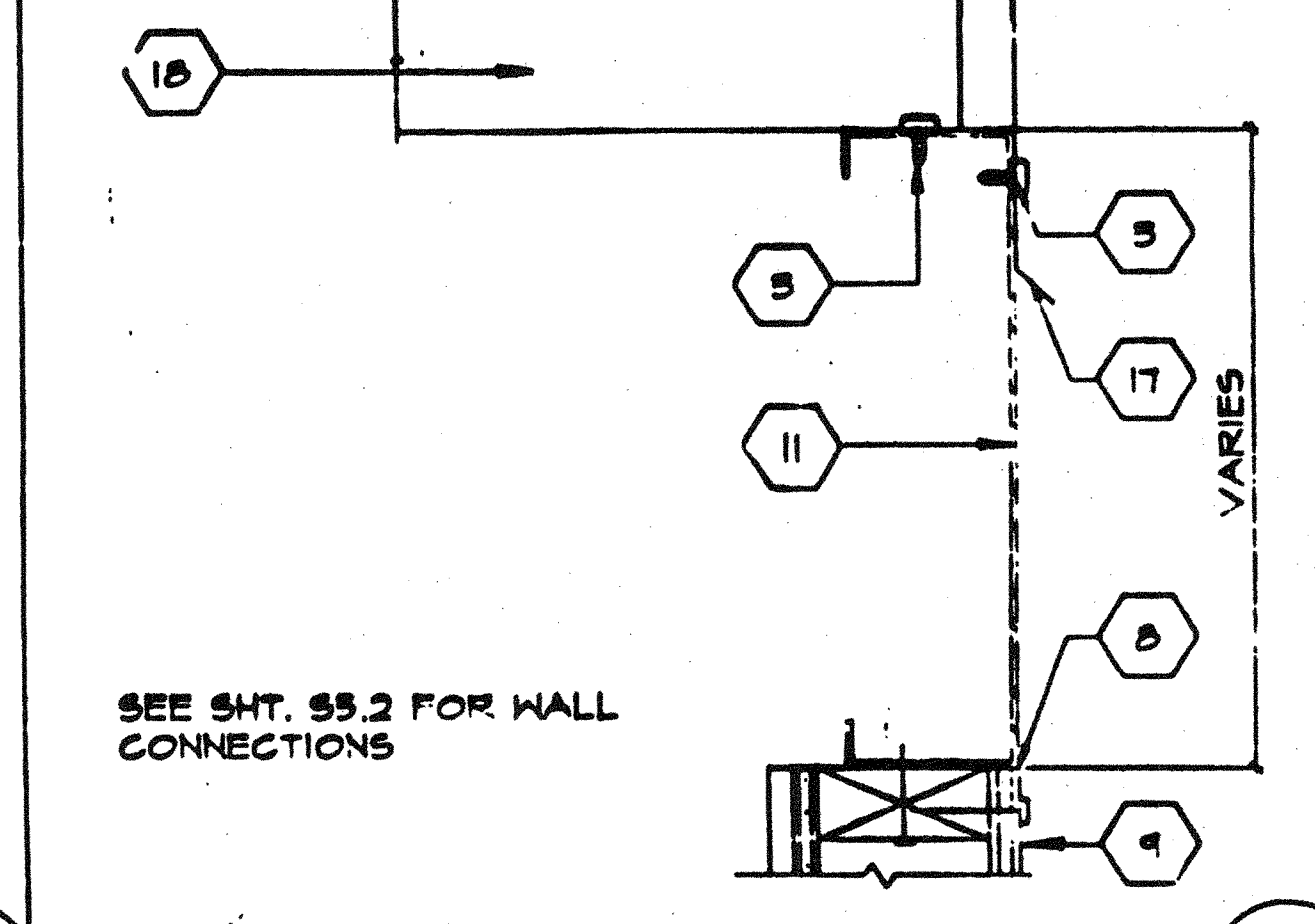
TYPICAL SILL @ FLOOR **11**



DOWNSPOUT ATTACHMENT **8**



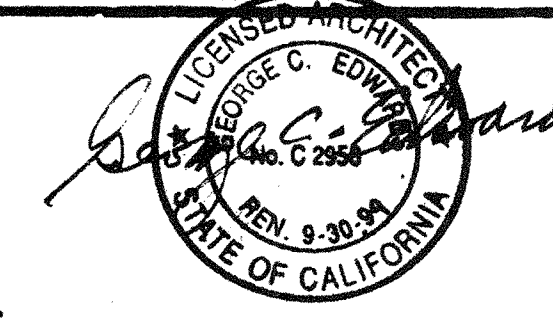
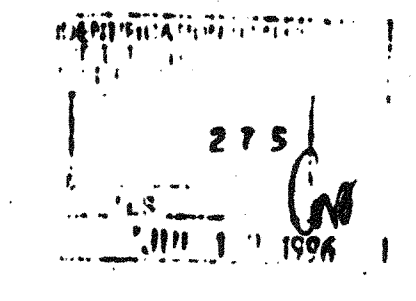
ROOF SEAM **5**



ROOF FLASHING @ ROOF BEAM. **3**

- KEY NOTES**
- 1 TYP. INTERIOR FINISH
 - 2 TYP. EXTERIOR FINISH
 - 3 #14 STMS X 3/4\"/>
 - 4 2X4 STUD TYP.
 - 5 CAP CLOSURE @ RIDGE 26GA. GALV. W/ #10 X 3/4\"/>
 - 6 TUBE STEEL (SEE STRUCTURAL)
 - 7 2X4 TRIMMER FULL HEIGHT
 - 8 SEALANT TYP. (SEE SPECIFICATIONS)
 - 9 EXTERIOR WALL (SEE S5.2 FOR CONNECTIONS)
 - 10 #10 STMS X 3/4\"/>
 - 11 ROOF BEAM (SEE STRUCTURAL)
 - 12 1X JAMB PLATE
 - 13 (1) - #14 X 3/4\"/>
 - 14 FULL DEPTH STIFFENER PLATE (SEE STRUCTURAL LOCATION)
 - 15 FLOATING THRESHOLD (ATTACH BY FIELD)
 - 16 ROOF HEADER (SEE STRUCTURAL)
 - 17 6.1 FLASHING 22GA
 - 18 STANDING SEAM ROOF (SEE A20 FOR CALL)
 - 19 ROOF FURLIN (SEE STRUCTURAL)
 - 20 CONTINUOUS 2X4 TOP PLATE
 - 21 22GA. GALV. FLASHING (ONLY AT PERIMETER FOUNDATION)
 - 22 CONTINUOUS 26GA. GUTTER (SEE 1.2-6.1)
 - 23 INSULATION (SEE SPECS. FOR TYPE AND SIZE)
 - 24 FLOOR BEAM (SEE STRUCTURAL)
 - 25 2X4 SILL PLATE ATTACHED PER A/CR 1
 - 26 24GA. X 1 1/2\"/>
 - 27 ATTACHMENT BRACKET (TYP. 3-PLACES, TOP ONLY & MIDSPAN W/ 2-POSTS BRACKET TO COLUMN)
 - 28 #8 STMS - 2 @ EA. SIDE OF DOWNSPOUT IN BAY WITH
 - 29 DOWNSPOUT
 - 30 BLOCKING BRACKET
 - 31 8\"/>
 - 32 1/2\"/>
 - 33 22GA. GALV. FLASHING INSERTED UNDER 2\"/>
 - 34 26GA. TRIM ATTACH TO COLUMN ONE SIDE W/ #10 STMS @ 12\"/>
 - 35 #10 STMS @ 24\"/>

STKP-39

ARCHITECT 	ELECTRICAL	STRUCTURAL	MECHANICAL	FIRE MARSHAL	ACCESS COMPLIANCE	STRUCTURAL SAFETY 	MODECH INC.
--	------------	------------	------------	--------------	-------------------	--	-----------------------

2926	© MODTECH INC. 1994	275	STKP-39
	1172317 DATE: 06/29/14		
TYPICAL DETAILS			A6.1